



US00D644134S

(12) **United States Design Patent**
Huang

(10) **Patent No.:** **US D644,134 S**

(45) **Date of Patent:** **** Aug. 30, 2011**

(54) **SOLAR WARNING SIGN**

(76) Inventor: **Yao-Hung Huang**, Rende Township,
Tainan County (TW)

(**) Term: **14 Years**

(21) Appl. No.: **29/347,240**

(22) Filed: **Nov. 9, 2009**

(51) **LOC (9) Cl.** **10-05**

(52) **U.S. Cl.** **D10/114.1**

(58) **Field of Classification Search** D10/104,
D10/109, 114; 340/500, 815.45; 362/183;
40/582

See application file for complete search history.

(56) **References Cited**

U.S. PATENT DOCUMENTS

D254,658	S	*	4/1980	Wagner	D10/114
D320,173	S	*	9/1991	Yuen	D10/114
D324,347	S	*	3/1992	Williams	D10/114
5,121,307	A	*	6/1992	Moore	362/183
D333,797	S	*	3/1993	Lu	D10/114
D341,099	S	*	11/1993	Erwin	D10/114

D520,395	S	*	5/2006	Lazalier	D10/114
2006/0012486	A1	*	1/2006	Gibson et al.	340/815.45
2009/0000166	A1	*	1/2009	Gallet	40/582
2009/0174542	A1	*	7/2009	Gentry et al.	340/500

* cited by examiner

Primary Examiner — Caron D Veynar

Assistant Examiner — George D Kirschbaum

(74) *Attorney, Agent, or Firm* — Rosenberg, Klein & Lee

(57) **CLAIM**

The ornamental design for a solar warning sign, as shown and described.

DESCRIPTION

FIG. 1 is a perspective view of a solar warning sign showing my new design;

FIG. 2 is a front elevational view thereof;

FIG. 3 is a rear elevational view thereof;

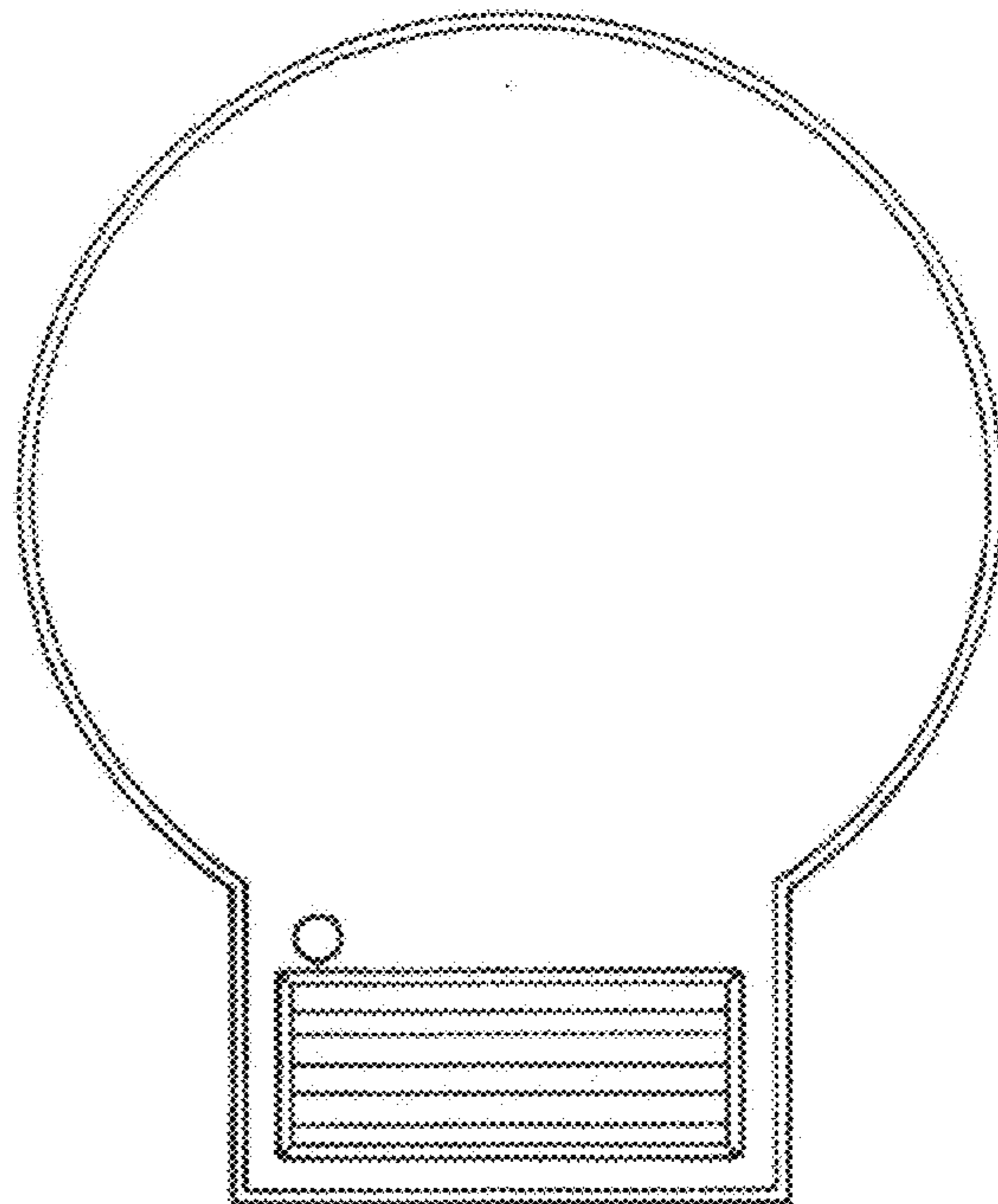
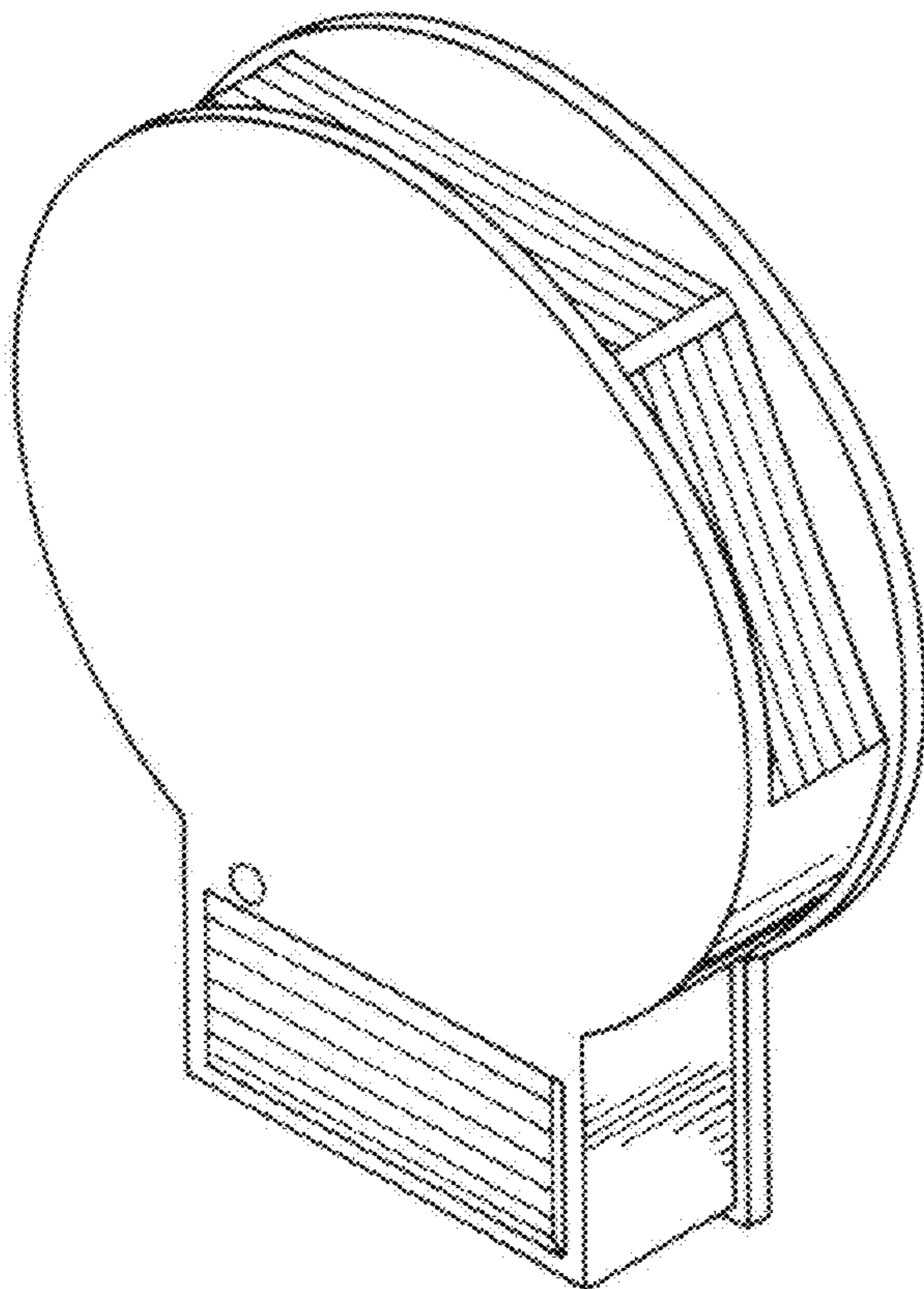
FIG. 4 is a left side elevational view thereof;

FIG. 5 is a right side elevational view thereof;

FIG. 6 is a top plan view thereof; and,

FIG. 7 is a bottom plan view thereof.

1 Claim, 7 Drawing Sheets



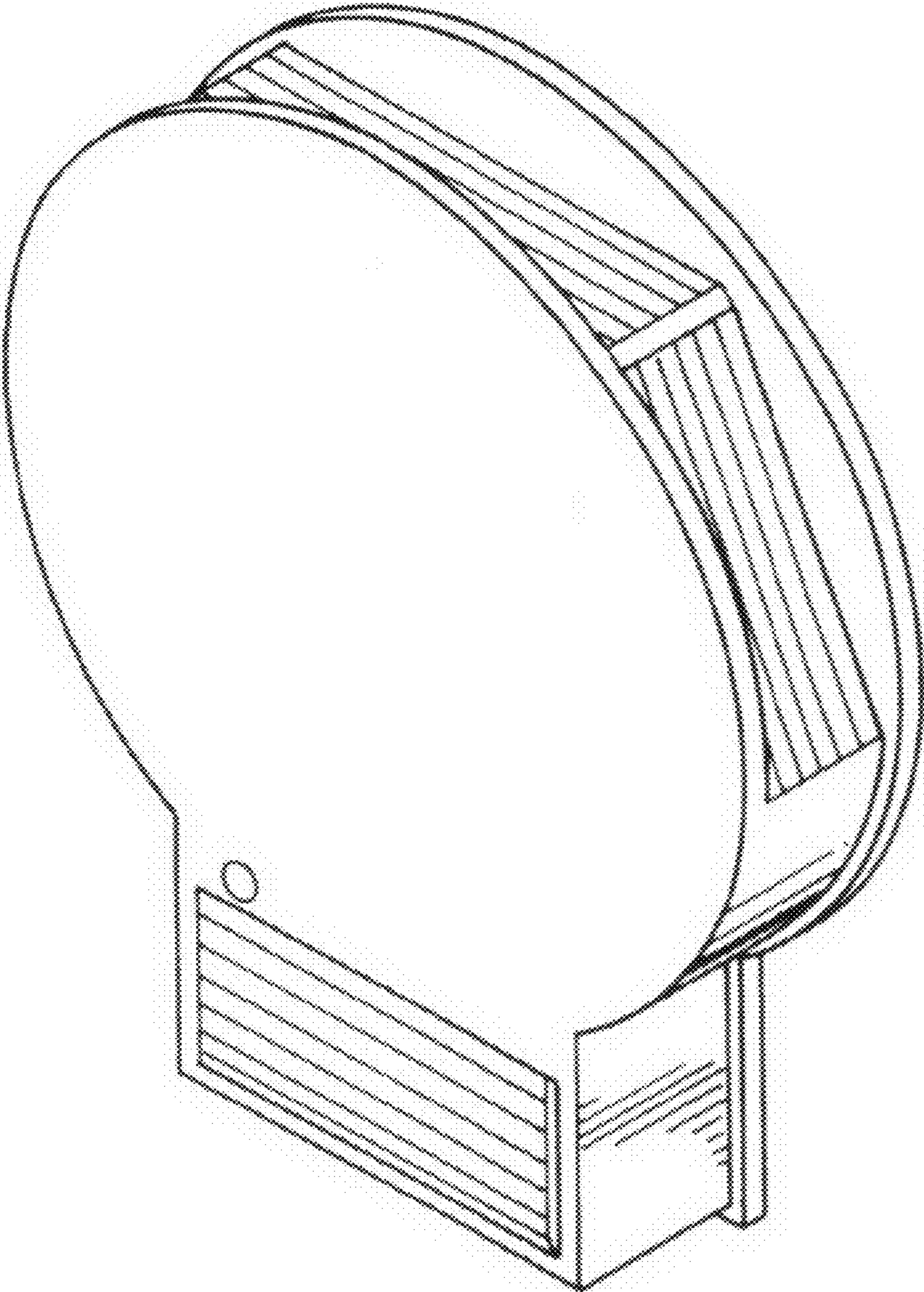


FIG. 1

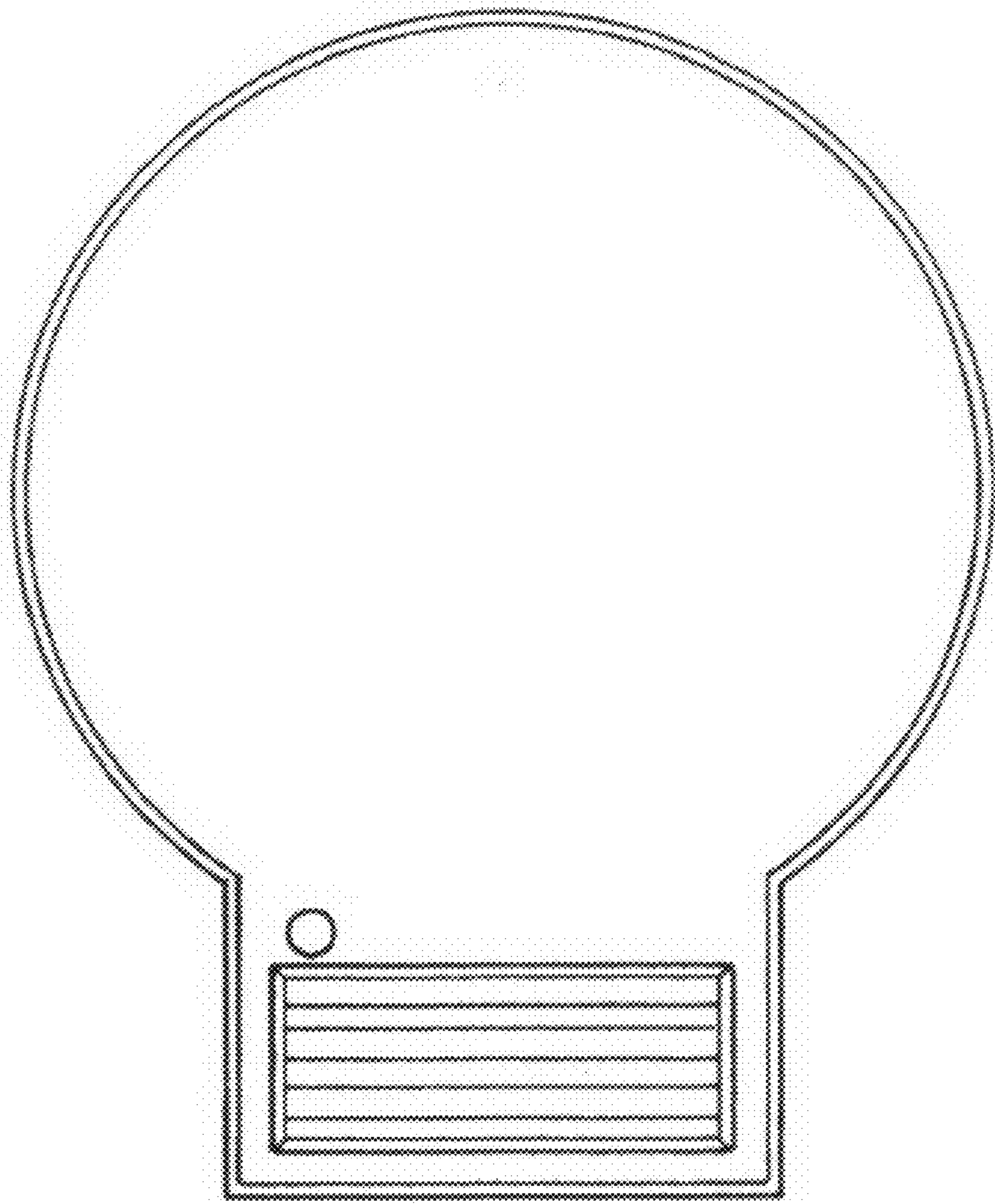


FIG. 2

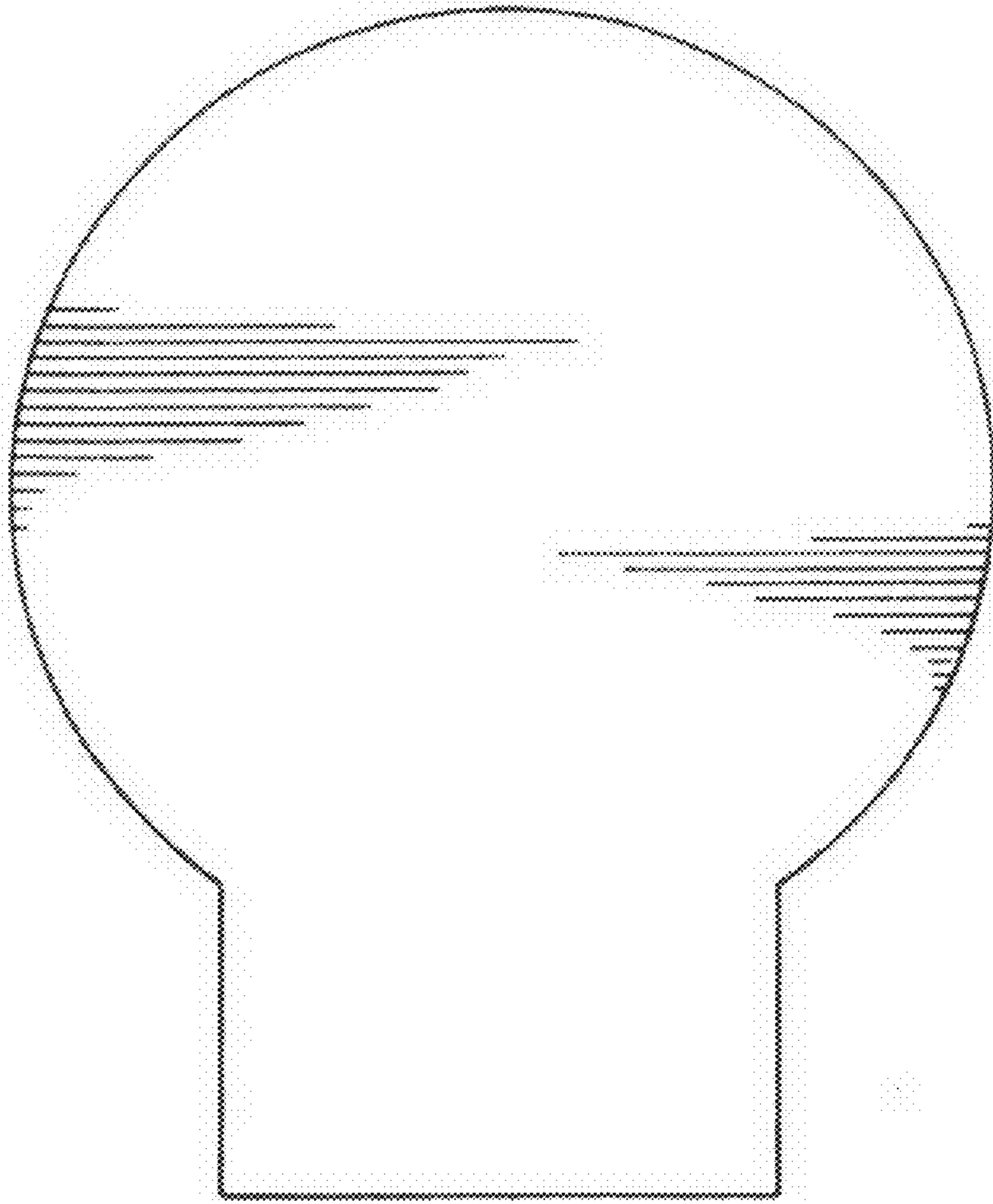


FIG. 3

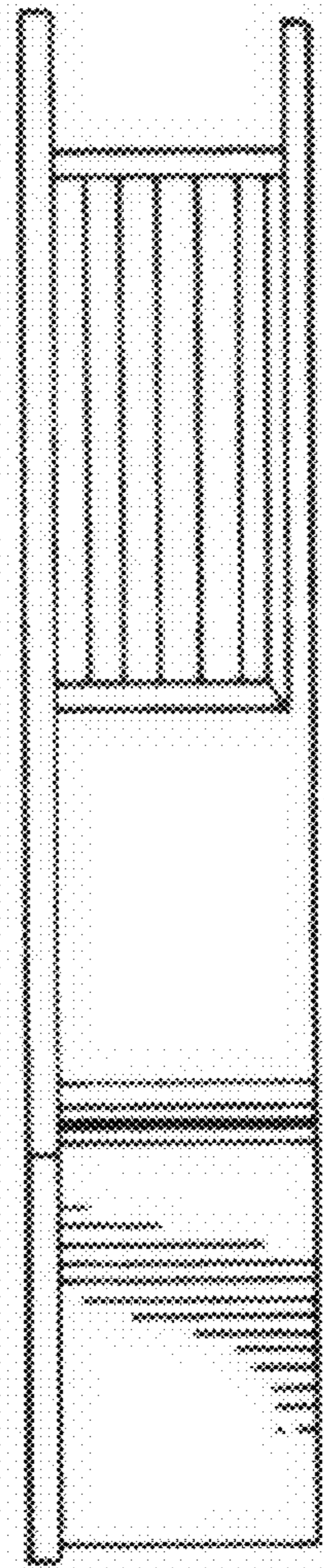


FIG. 4

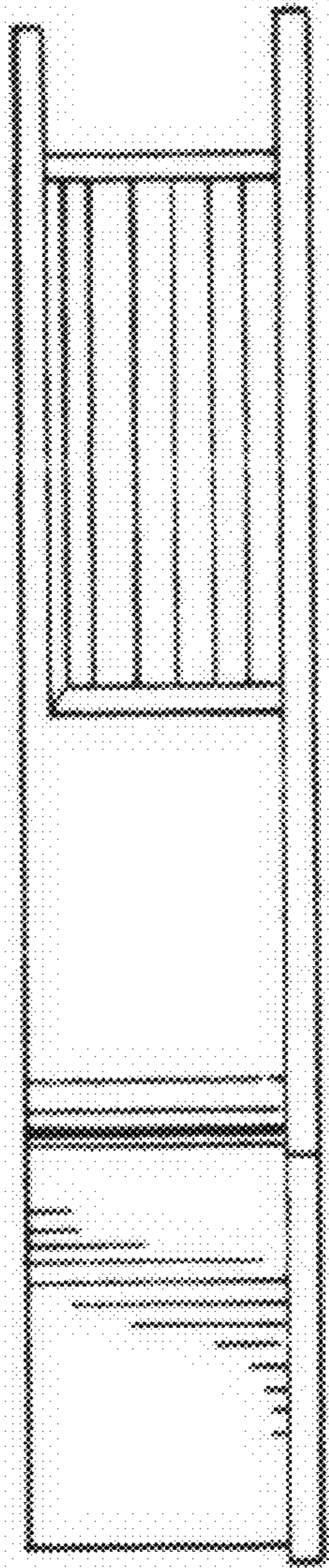


FIG. 5



FIG. 6

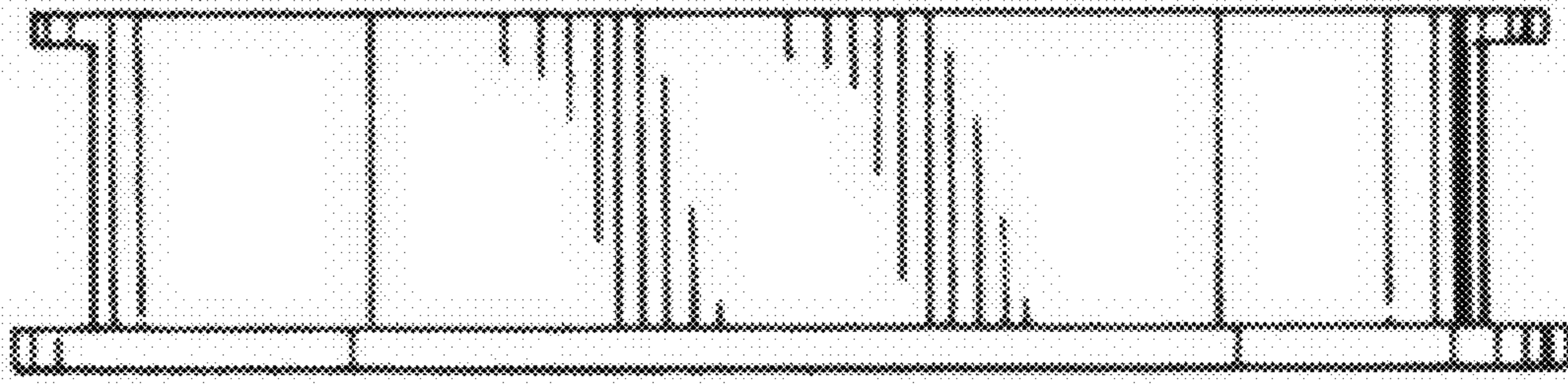


FIG. 7