



US00D644133S

(12) **United States Design Patent**  
**Register et al.**

(10) **Patent No.:** **US D644,133 S**

(45) **Date of Patent:** **\*\* Aug. 30, 2011**

(54) **ELECTRONIC DEVICE**

(75) Inventors: **Todd P. Register**, Olathe, KS (US);  
**Jonathan R. Hosler**, Overland Park, KS  
(US)

(73) Assignee: **Garmin Switzerland GmbH** (CH)

(\*\*) Term: **14 Years**

(21) Appl. No.: **29/387,986**

(22) Filed: **Mar. 22, 2011**

(51) **LOC (9) Cl.** ..... **10-04**

(52) **U.S. Cl.** ..... **D10/65**

(58) **Field of Classification Search** ..... D10/65;  
D14/341, 344, 507, 138 R, 138 AA, 203.3,  
D14/203.4, 203.5, 203.7, 217, 137, 138 AB;  
342/306, 351, 419, 457, 357.2-357.77; 343/702;  
345/87, 104, 133, 156, 168, 173, 901-905;  
348/180, 184, 315, 739; 364/444, 499;  
701/206-209, 213, 214; 455/66.1, 404.2,  
455/415, 456.1

See application file for complete search history.

(56) **References Cited**

**U.S. PATENT DOCUMENTS**

D473,537 S	4/2003	Lammers-Meis	.....	D14/188
D479,220 S *	9/2003	Lammers-Meis	.....	D14/188
D490,064 S *	5/2004	Yi	.....	D14/137
D494,481 S *	8/2004	Laverick et al.	.....	D10/65
D494,486 S *	8/2004	Laverick et al.	.....	D10/65
D494,878 S *	8/2004	Laverick et al.	.....	D10/65
D526,985 S *	8/2006	Neher et al.	.....	D14/138 R
D564,998 S *	3/2008	Tran et al.	.....	D14/137

D576,128 S *	9/2008	Tran et al.	.....	D14/137
D577,699 S *	9/2008	Onoue	.....	D14/137
D596,513 S	7/2009	Lammers-Meis et al.	.....	D10/65
D611,366 S	3/2010	Register et al.	.....	D10/65

**OTHER PUBLICATIONS**

Garmin GPSmap 62, published Jun. 2010.  
Garmin Rino 110, 120, 130, published prior to 2010.  
Garmin Rino 520Hcx, published prior to 2010.  
Minox Binoculars, published prior to Mar. 22, 2010.  
Motorola Talkabout® MJ270R, published prior to Mar. 22, 2010.

\* cited by examiner

*Primary Examiner* — Antoine D Davis

(74) *Attorney, Agent, or Firm* — Samuel M. Korte

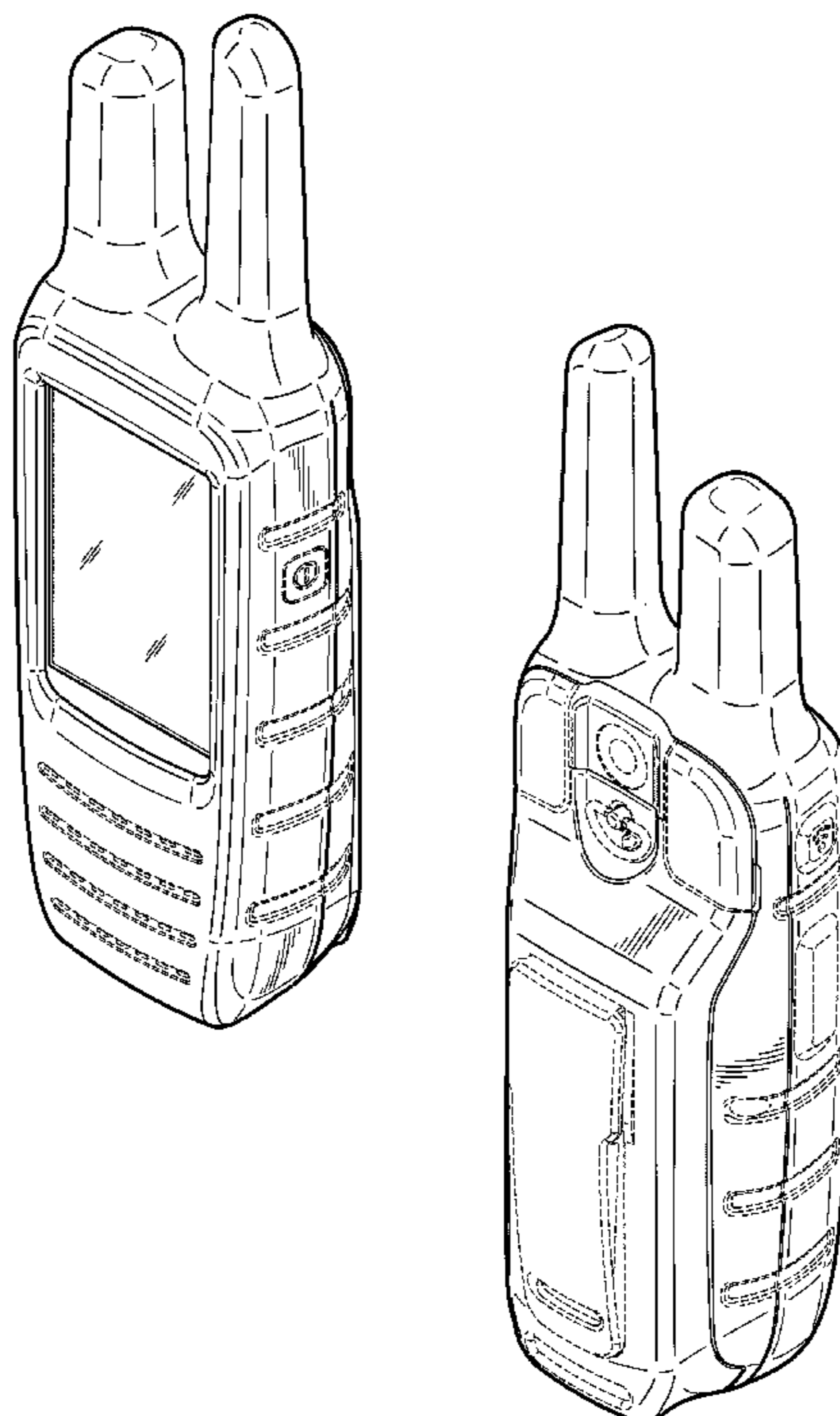
(57) **CLAIM**

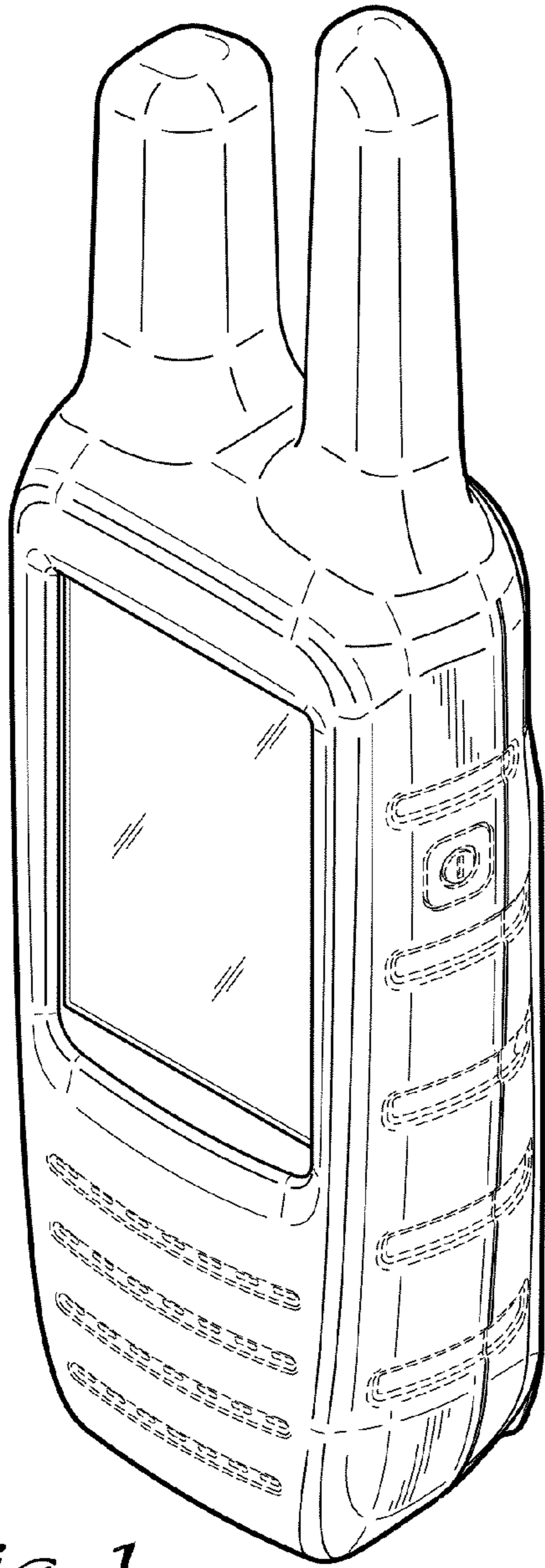
The ornamental design for an electronic device, as shown and described.

**DESCRIPTION**

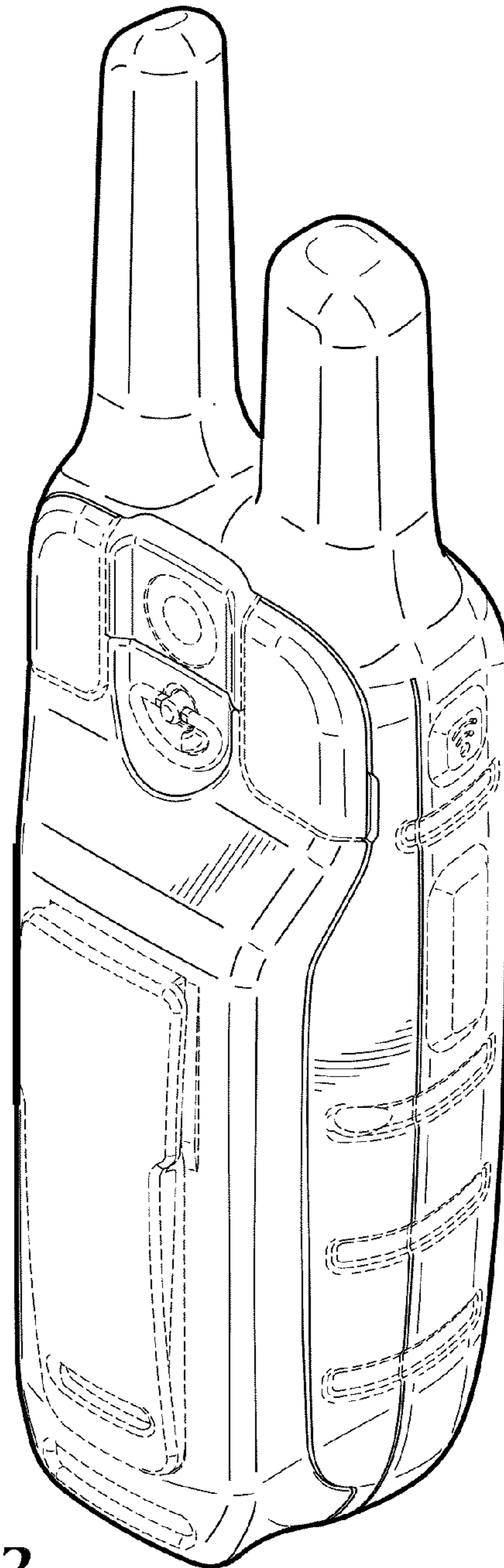
FIG. 1 is a front perspective view of an electronic device according to embodiments of the present invention; FIG. 2 is a rear perspective view of the electronic device; FIG. 3 is a top view of the electronic device; FIG. 4 is a front view of the electronic device; FIG. 5 is a rear view of the electronic device; FIG. 6 is a bottom view of the electronic device; FIG. 7 is a left side view of the electronic device; and, FIG. 8 is a right side view of the electronic device. Portions of FIGS. 1 through 8 are shown in dashed lines for illustrative purposes only and form no part of the claimed design.

**1 Claim, 4 Drawing Sheets**

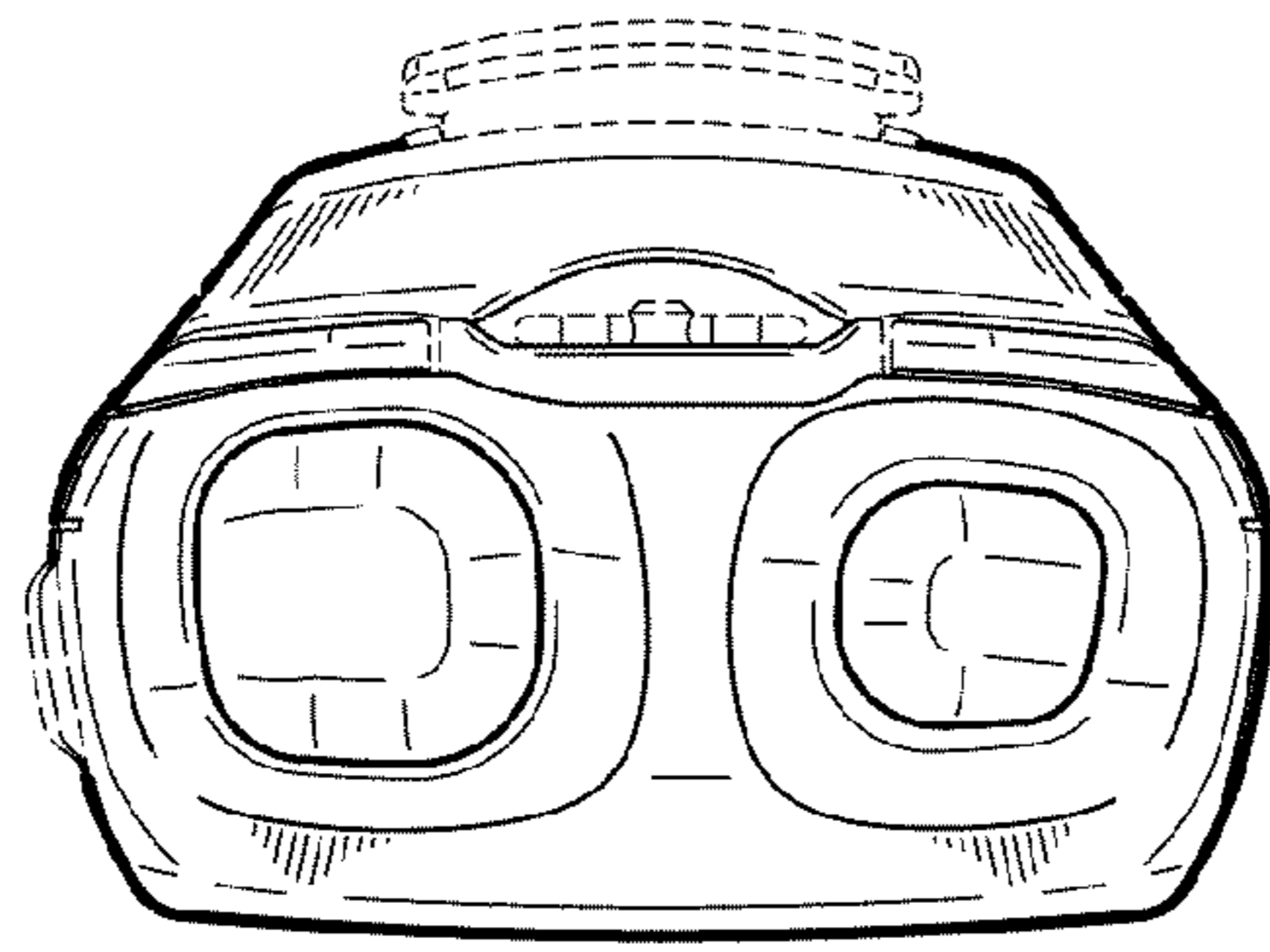




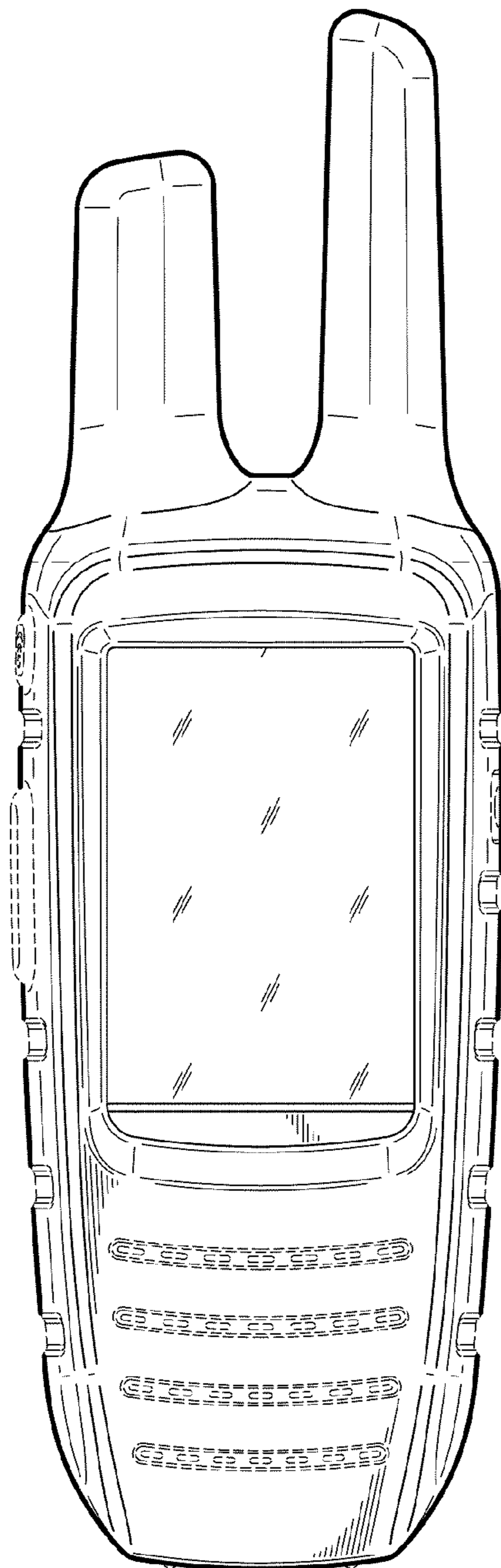
*Fig. 1*



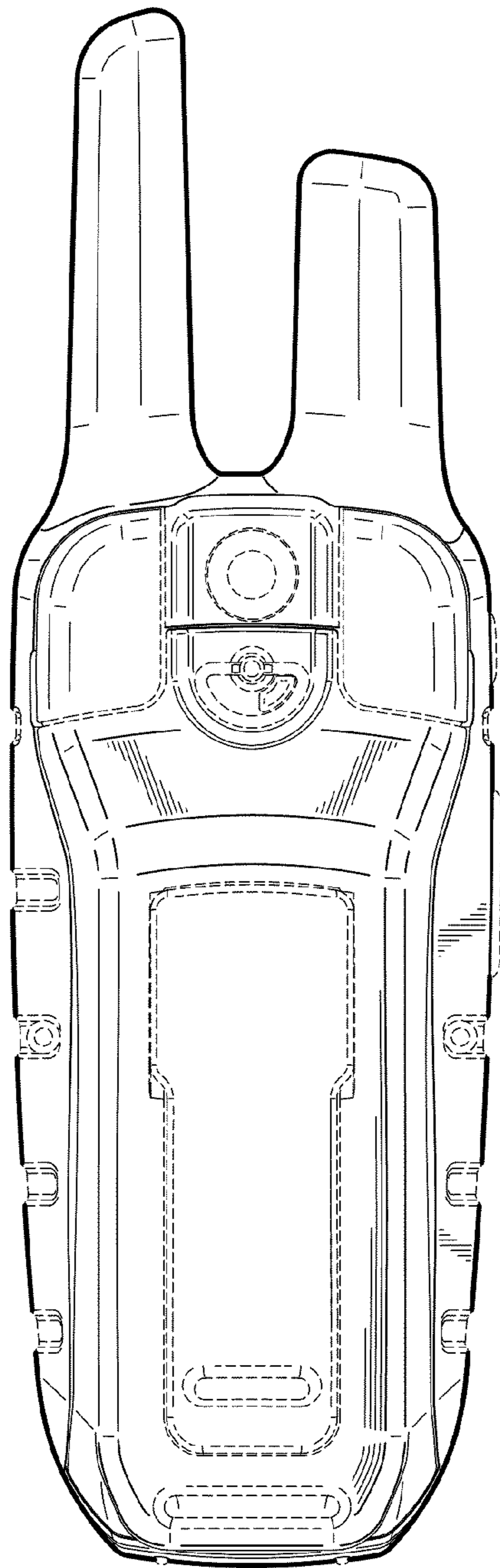
*Fig. 2*



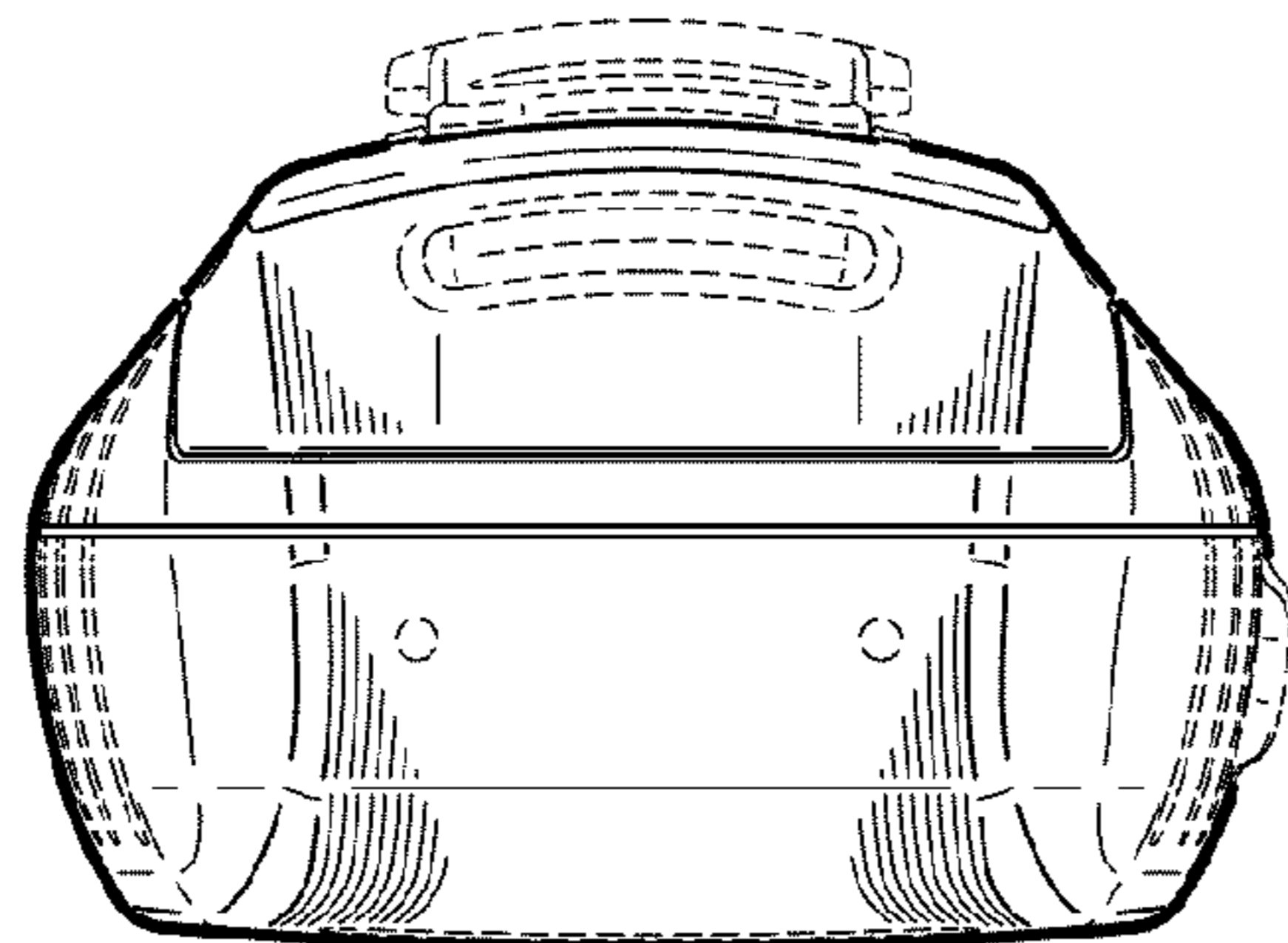
*Fig. 3*



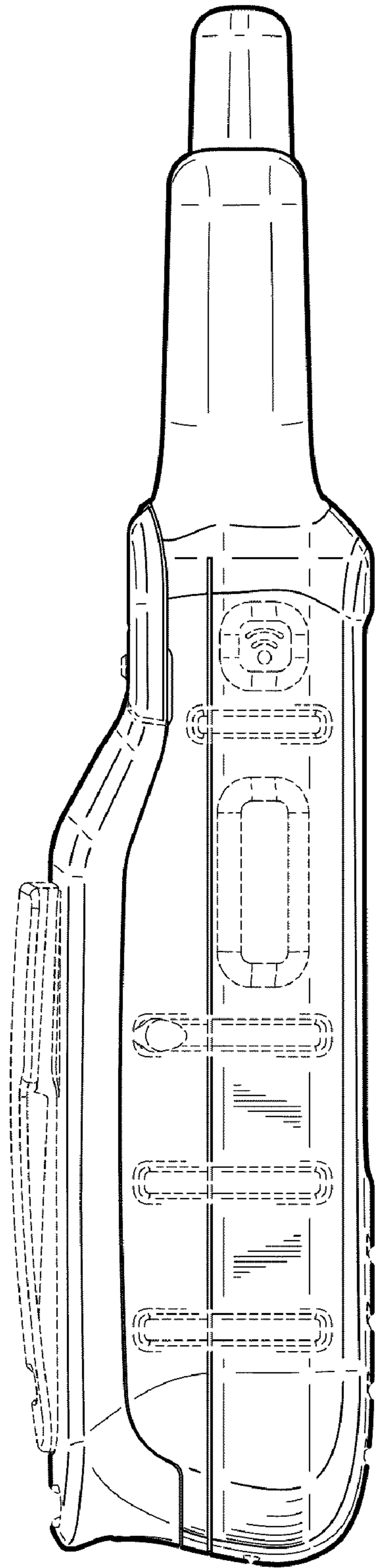
*Fig. 4*



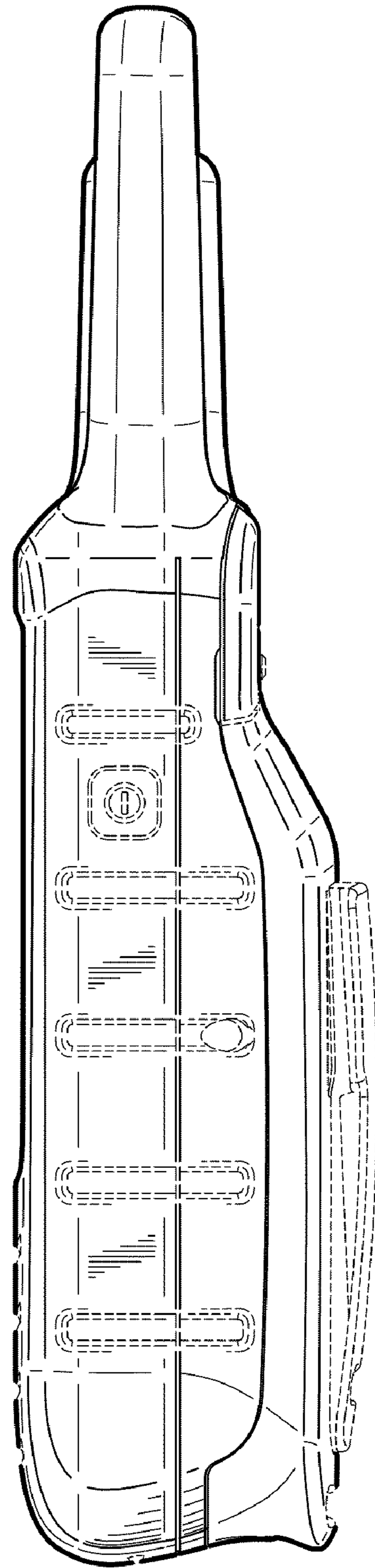
*Fig. 5*



*Fig. 6*



*Fig. 7*



*Fig. 8*