



US00D644132S

(12) **United States Design Patent**  
**Foley**

(10) **Patent No.:** **US D644,132 S**

(45) **Date of Patent:** **\*\* Aug. 30, 2011**

(54) **CRIBBAGE BOARD**

(76) Inventor: **Jeffrey D. Foley**, Barre, VT (US)

(\*\*) Term: **14 Years**

(21) Appl. No.: **29/385,374**

(22) Filed: **Feb. 11, 2011**

(51) **LOC (9) Cl.** ..... **21-01**

(52) **U.S. Cl.** ..... **D10/46.1**

(58) **Field of Classification Search** ..... D21/324-328;  
D10/46.1; 116/222-225; 235/90, 1 B  
See application file for complete search history.

5,385,113 A *	1/1995	Hierath	.....	116/222
D364,102 S	11/1995	Coleman, Jr.		
5,664,780 A *	9/1997	Bricker	.....	273/239
D392,196 S	3/1998	Mixer		
D405,126 S	2/1999	Asbury		
D416,500 S *	11/1999	Church	.....	D10/46.1
D521,397 S *	5/2006	Willmarth	.....	D10/46.1
D524,872 S	7/2006	DiCarlo		
D574,268 S *	8/2008	Cowen et al.	.....	D10/46.1
D585,773 S	2/2009	Cowen et al.		
D596,236 S	7/2009	Hackes		

\* cited by examiner

*Primary Examiner* — Prabhakar Deshmukh

(74) *Attorney, Agent, or Firm* — QuickPatents, Inc.; Kevin Prince

(56) **References Cited**

**U.S. PATENT DOCUMENTS**

D132,874 S	6/1942	De Broux		
2,355,905 A *	8/1944	Buxbaum	.....	116/222
2,505,382 A	4/1950	Bridges		
D159,316 S *	7/1950	Beach	.....	D10/46.1
D161,874 S	2/1951	Rubinoff		
D222,486 S	10/1971	Wagnild		
D237,399 S	10/1975	Humphrey		
D238,383 S	1/1976	Birchall		
D247,724 S	4/1978	Breault		
D259,337 S	5/1981	Blandy		
D283,600 S	4/1986	Hammond		
D300,121 S	3/1989	Lieffertz		
D311,707 S	10/1990	Clements		
D311,870 S *	11/1990	Voorhees	.....	D10/46.1
D341,547 S *	11/1993	Shafel et al.	.....	D10/46.1
5,329,874 A *	7/1994	Posey	.....	116/222

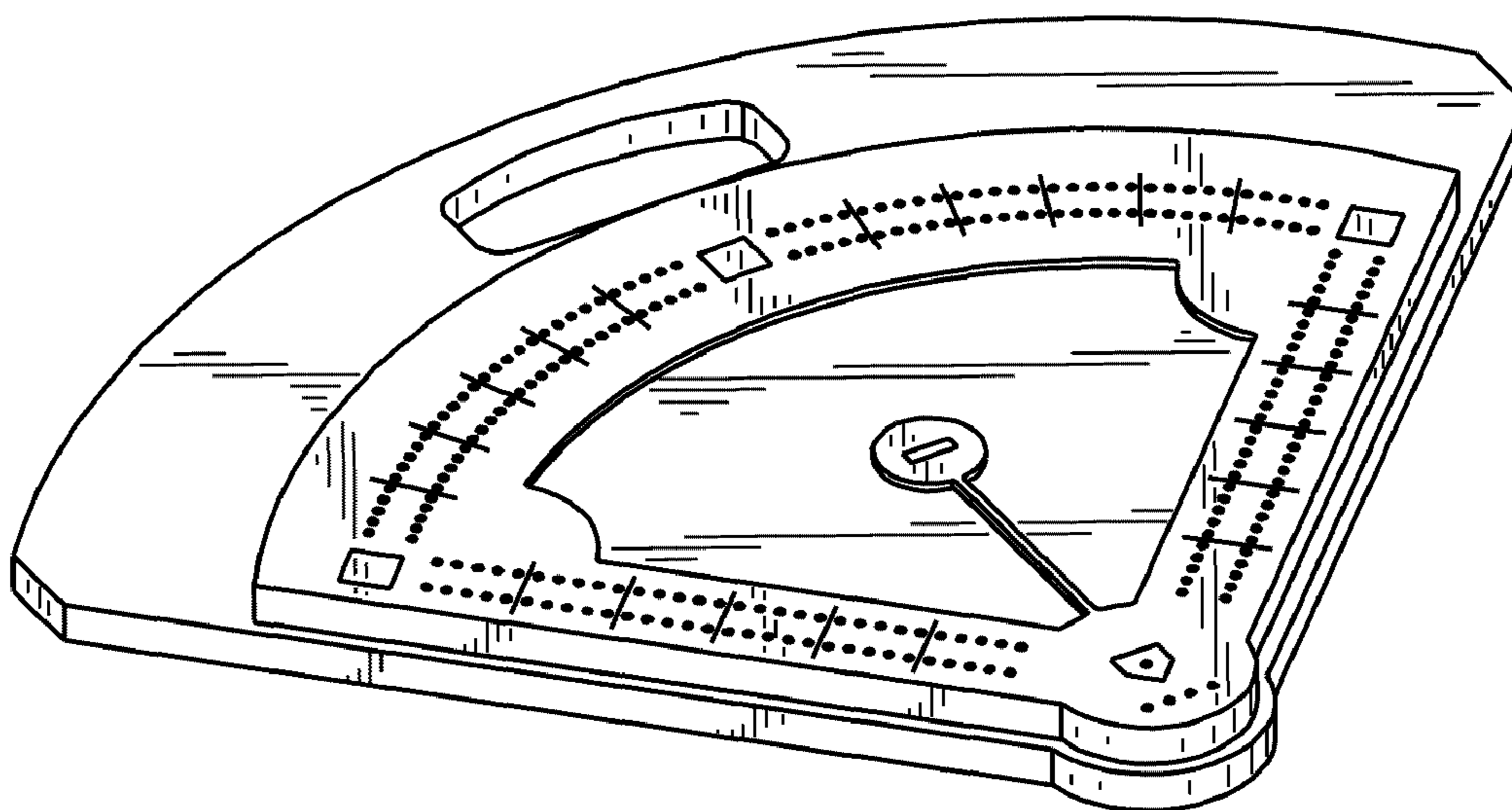
(57) **CLAIM**

I claim the ornamental design for a cribbage board, as shown and described.

**DESCRIPTION**

FIG. 1 is a top perspective view of a cribbage board, showing my new design;  
FIG. 2 is a bottom perspective view thereof;  
FIG. 3 is a top plan view thereof;  
FIG. 4 is a bottom plan view thereof;  
FIG. 5 is a right-side elevational view thereof;  
FIG. 6 is a left-side elevational view thereof;  
FIG. 7 is a front elevational view thereof; and,  
FIG. 8 is a rear elevational view thereof.

**1 Claim, 3 Drawing Sheets**



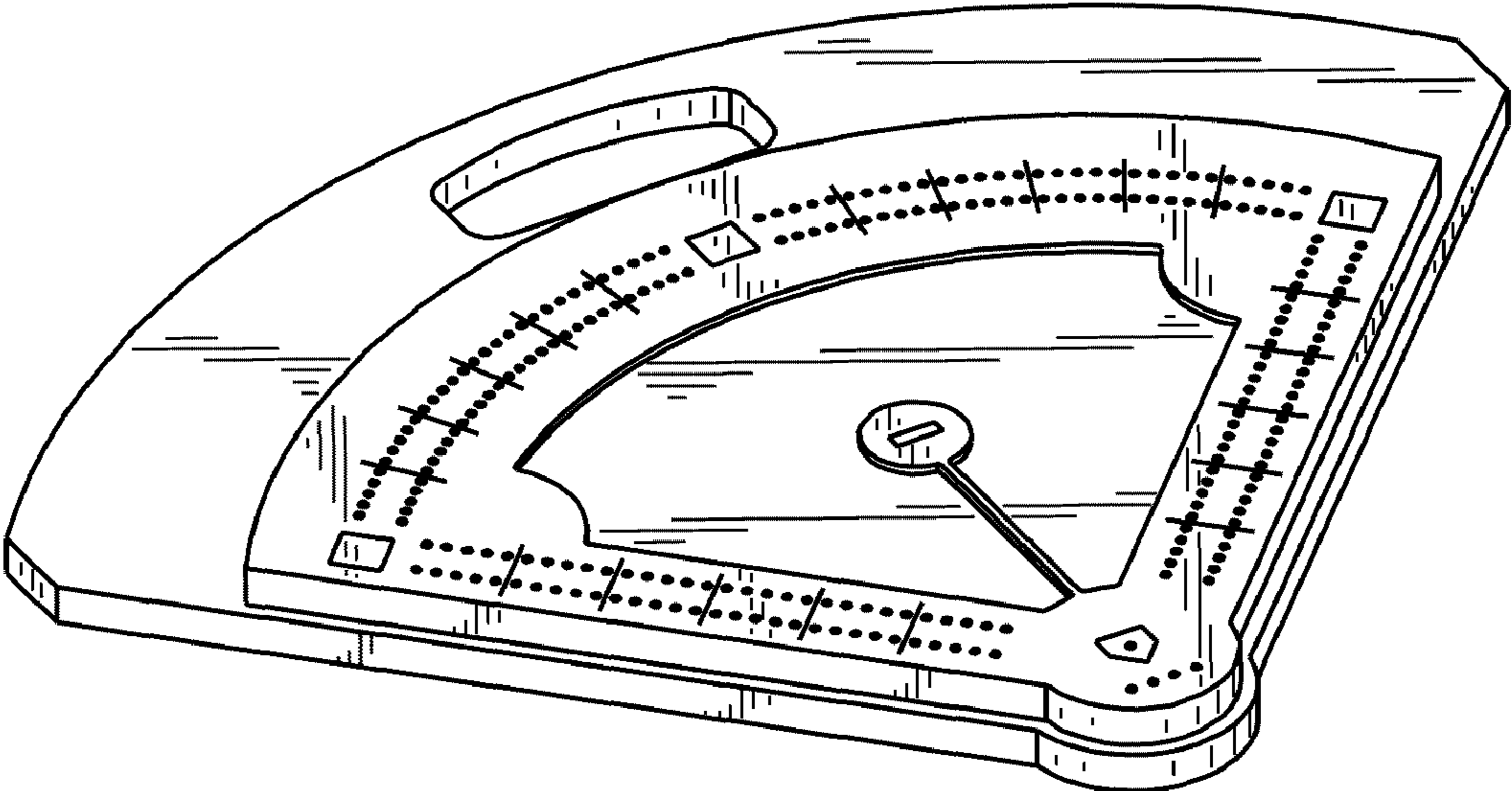


FIG. 1

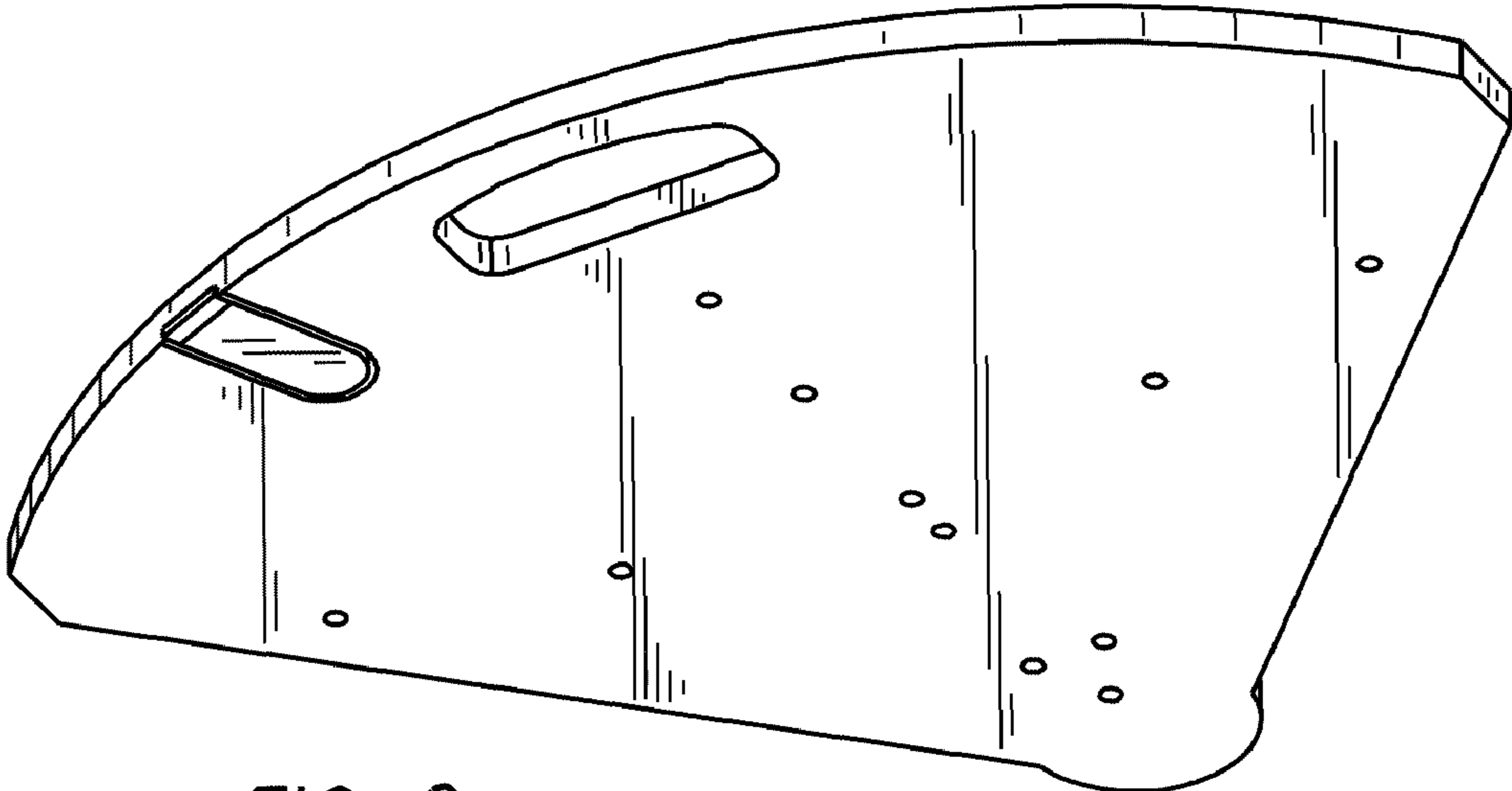


FIG. 2

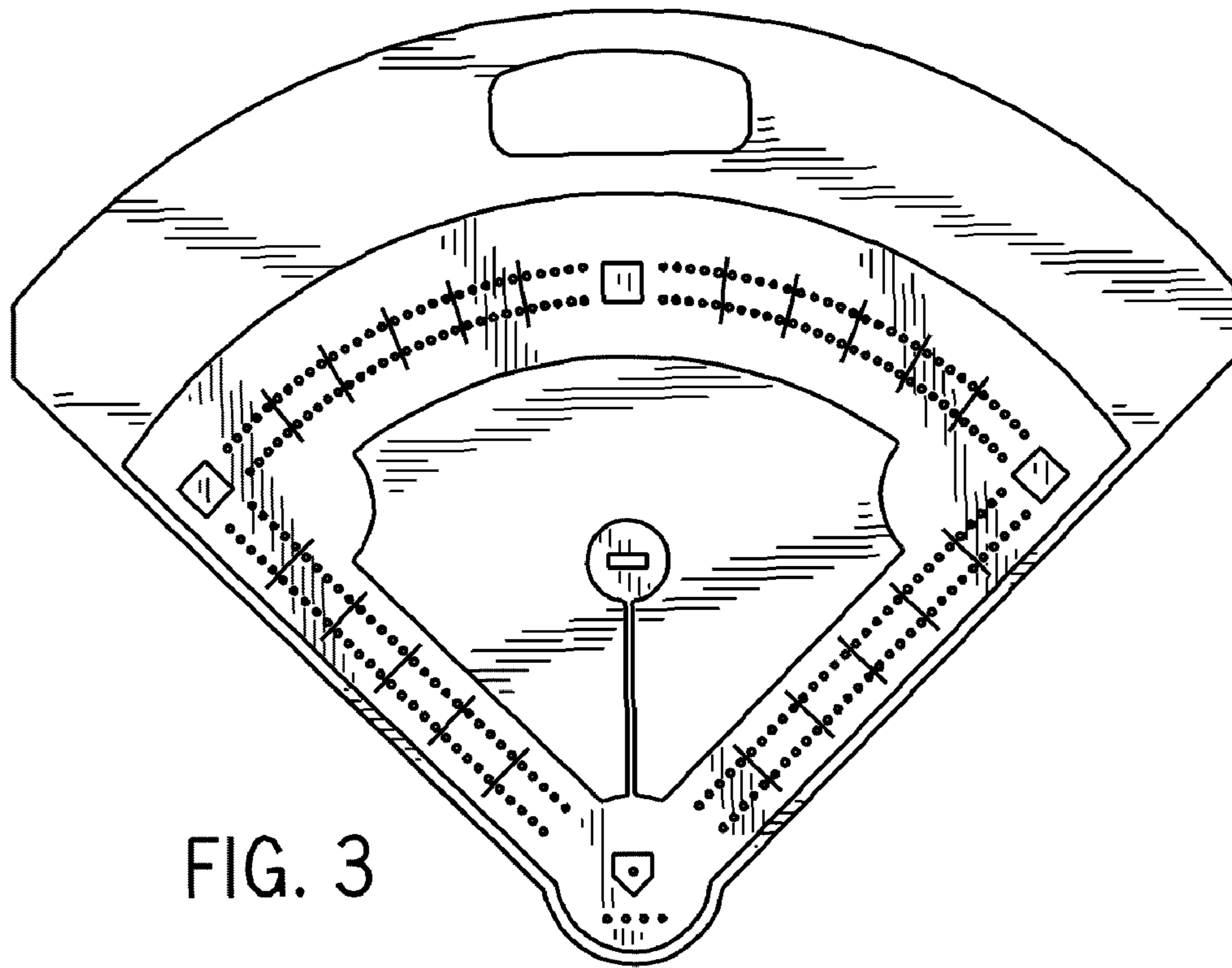


FIG. 3

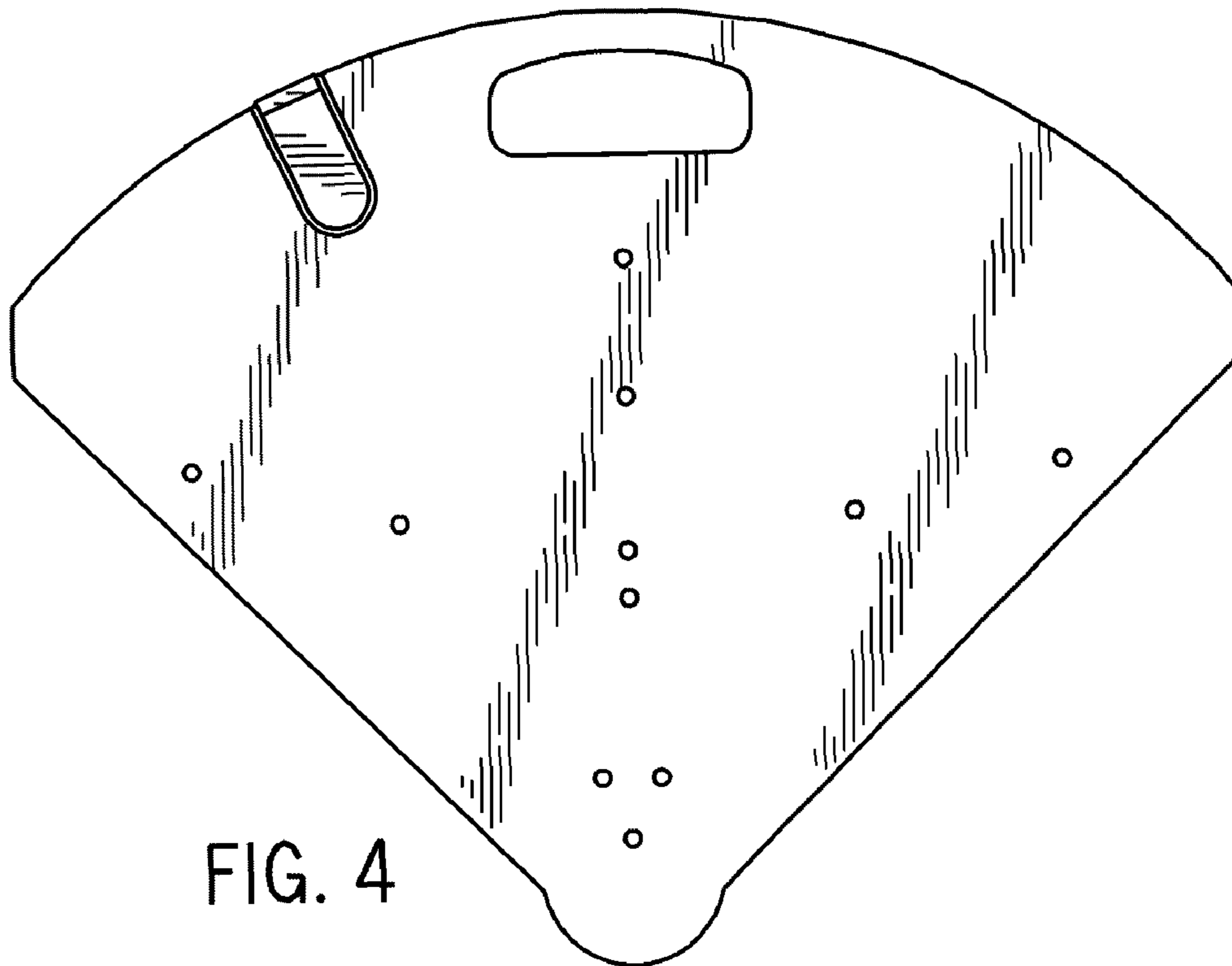


FIG. 4



FIG. 5

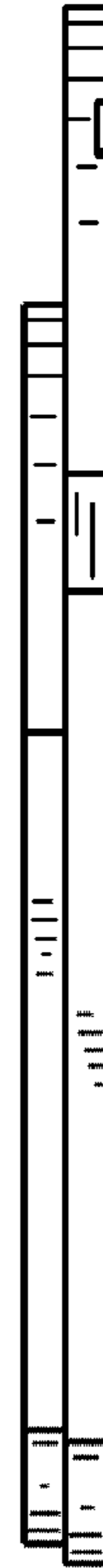


FIG. 6



FIG. 7

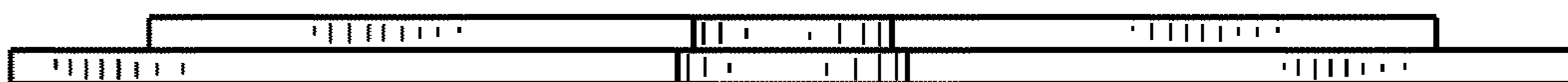


FIG. 8