



US00D644131S

(12) **United States Design Patent**
Karu

(10) **Patent No.:** **US D644,131 S**

(45) **Date of Patent:** **** Aug. 30, 2011**

(54) **SCORE INDICATOR FOR TENNIS COURTS**

(76) Inventor: **Toomas Karu**, Tartu (EE)

(**) Term: **14 Years**

(21) Appl. No.: **29/361,084**

(22) Filed: **May 5, 2010**

(30) **Foreign Application Priority Data**

Nov. 5, 2009 (EM) 001632332

(51) **LOC (9) Cl.** **21-01**

(52) **U.S. Cl.** **D10/46.1**

(58) **Field of Classification Search** D21/324-328;
D10/46.1; 116/222-225; 235/90, 1 B
See application file for complete search history.

(56) **References Cited**

U.S. PATENT DOCUMENTS

1,635,719	A *	7/1927	Lipp	40/598
D174,999	S *	6/1955	Schall	D10/46.1
3,220,127	A *	11/1965	Wilson	40/388
3,730,131	A *	5/1973	Izzo	116/223
4,185,583	A *	1/1980	Stamm	116/225
D300,435	S *	3/1989	Harris et al.	D20/19
5,025,748	A *	6/1991	Pettis	116/222
D318,628	S *	7/1991	Ralston	D10/46.1

D342,457	S *	12/1993	Morrison	D10/46.1
5,329,874	A *	7/1994	Posey	116/222
D418,431	S *	1/2000	Niksich	D10/46.1
6,578,513	B1 *	6/2003	Niksich	116/222
D518,390	S *	4/2006	Poffenberger	D10/46.1

* cited by examiner

Primary Examiner — Prabhakar Deshmukh

(74) *Attorney, Agent, or Firm* — Muncy, Geissler, Olds & Lowe, PLLC

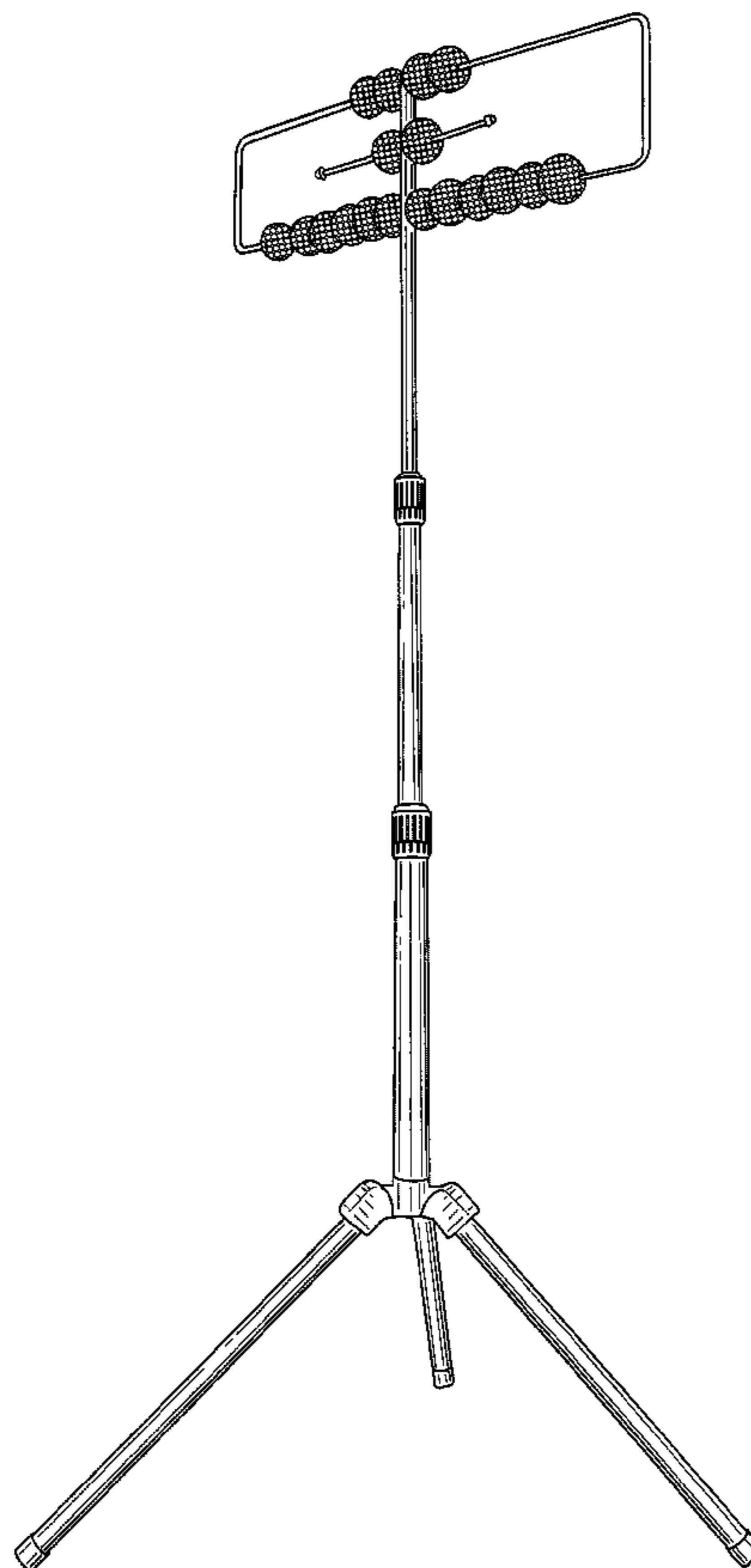
(57) **CLAIM**

The ornamental design of a score indicator for tennis courts, as shown and described.

DESCRIPTION

FIG. 1 is a front elevational view of a score indicator for tennis courts showing my new design;
FIG. 2 is a rear elevational view thereof;
FIG. 3 is a left side elevational view thereof;
FIG. 4 is a right side elevational view thereof;
FIG. 5 is a top plan view thereof;
FIG. 6 is a bottom plan view thereof; and,
FIG. 7 is a perspective view thereof.
The dashed lines illustrate environment that does not form a part of the present invention, and no claim is made to the material illustrated with dashed lines.

1 Claim, 6 Drawing Sheets



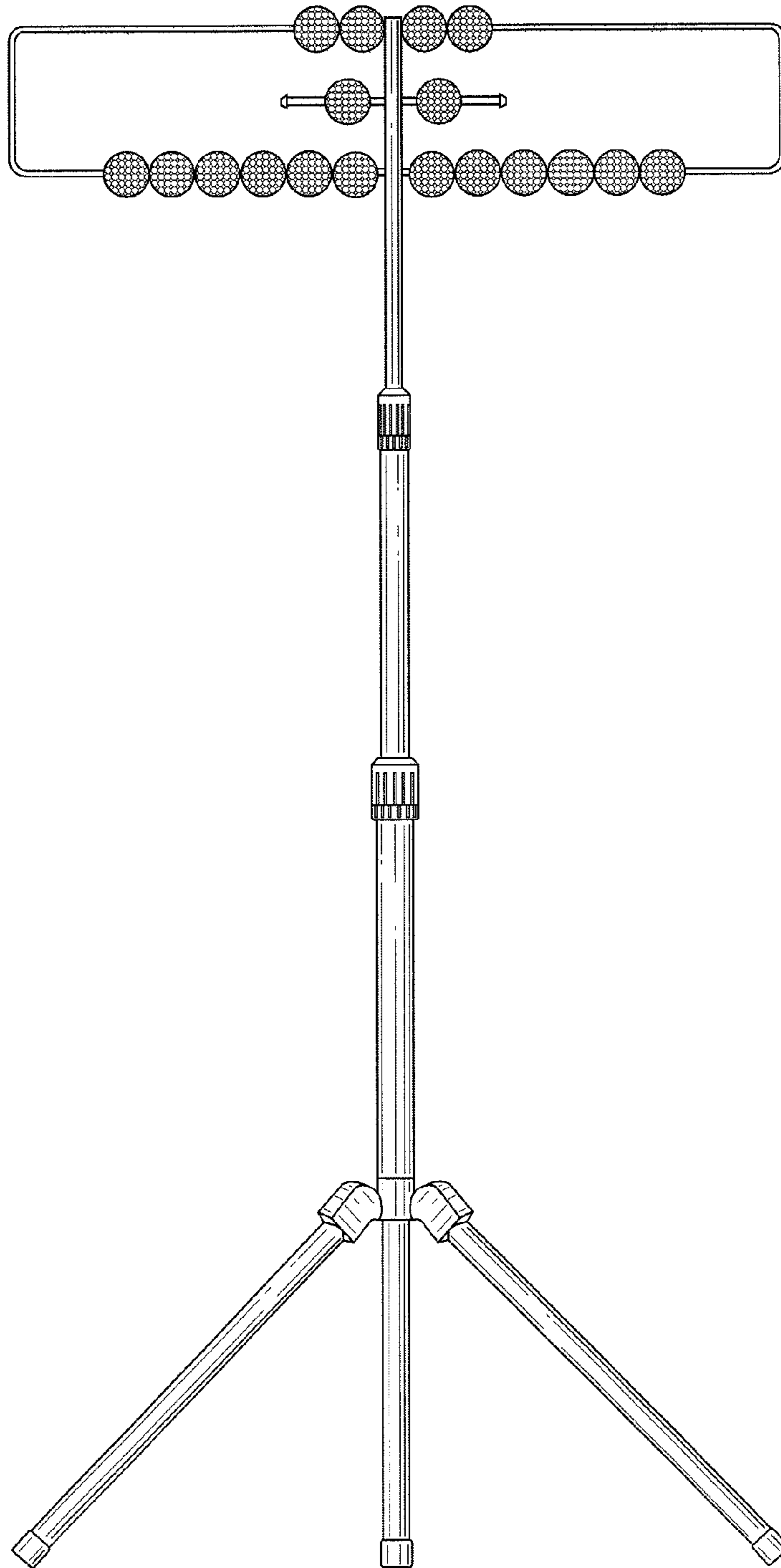


FIG. 1

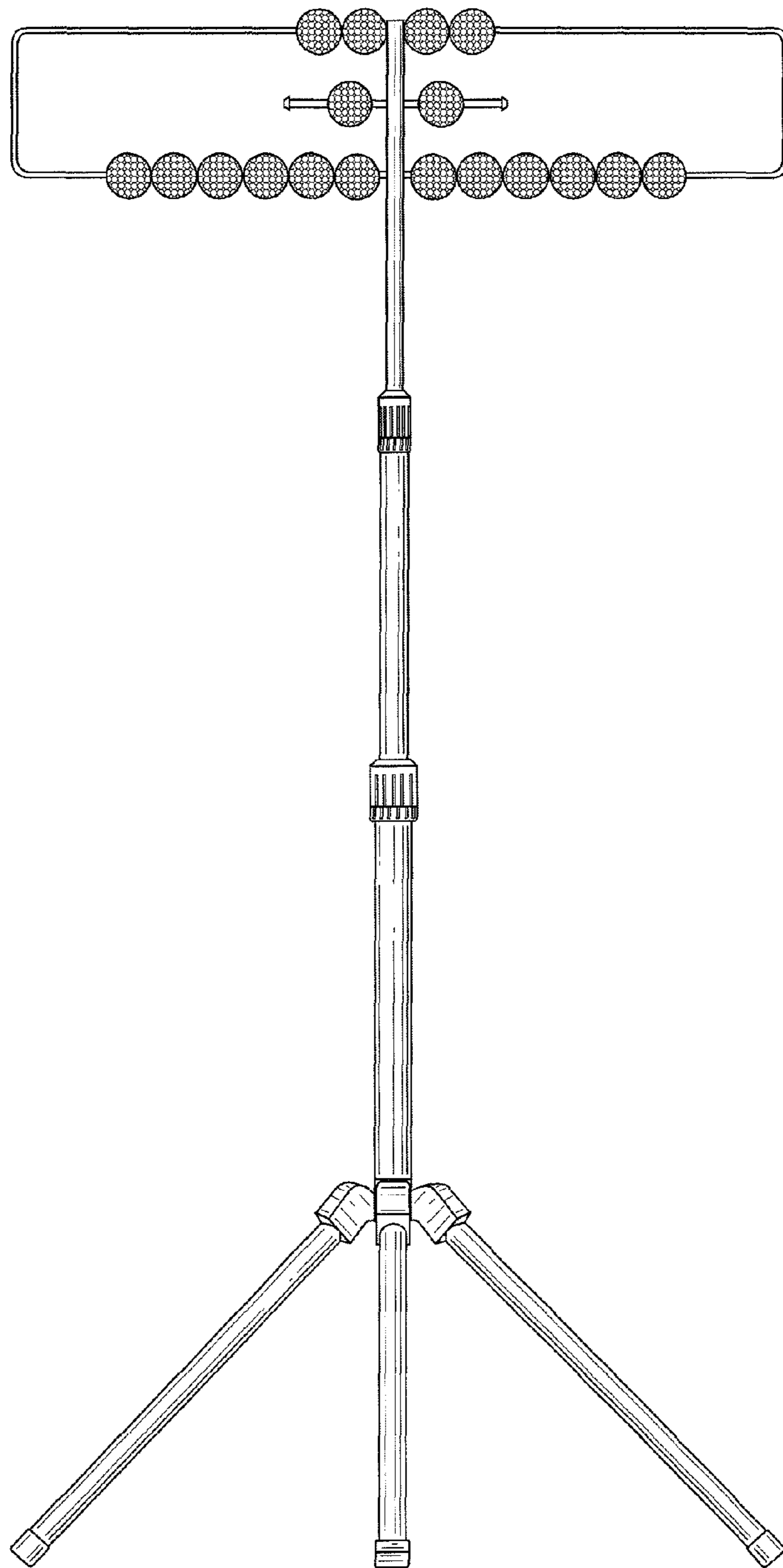


FIG. 2

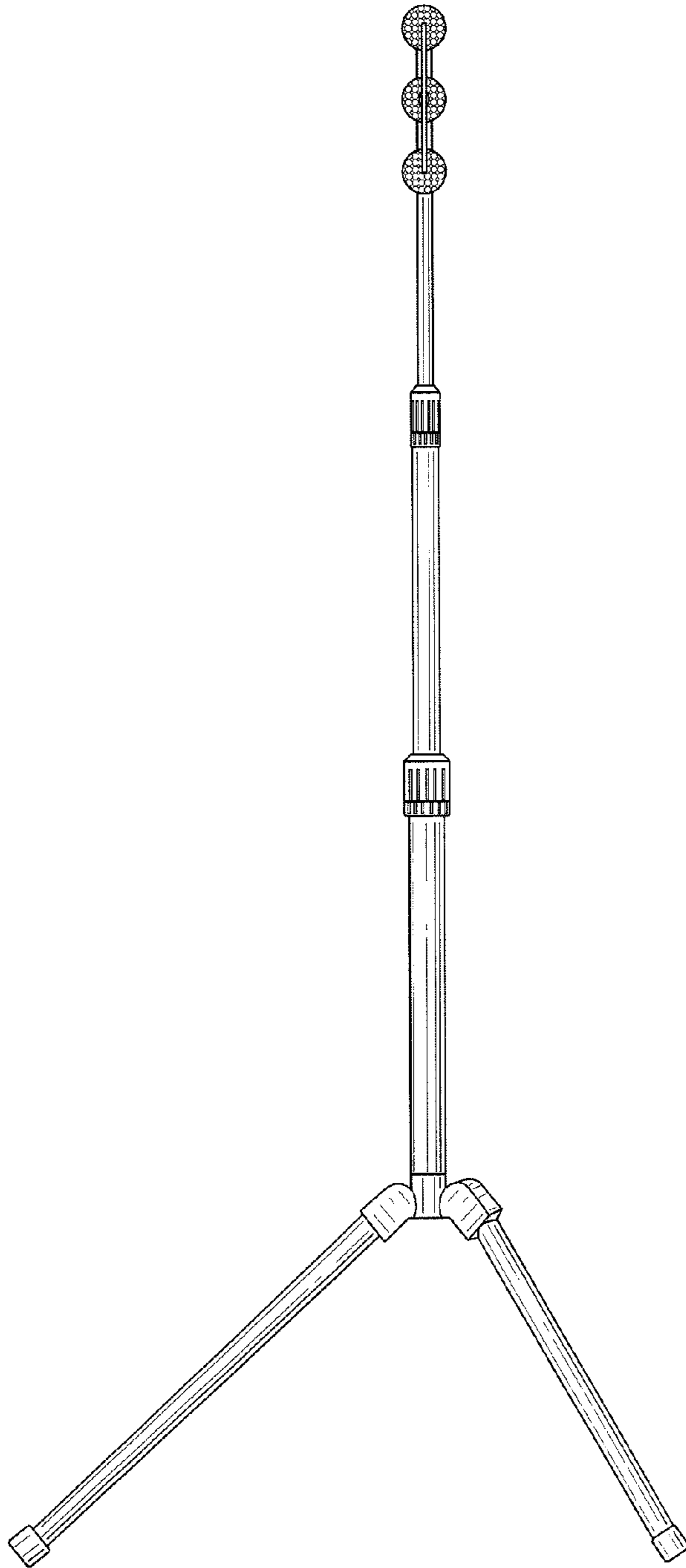


FIG.3

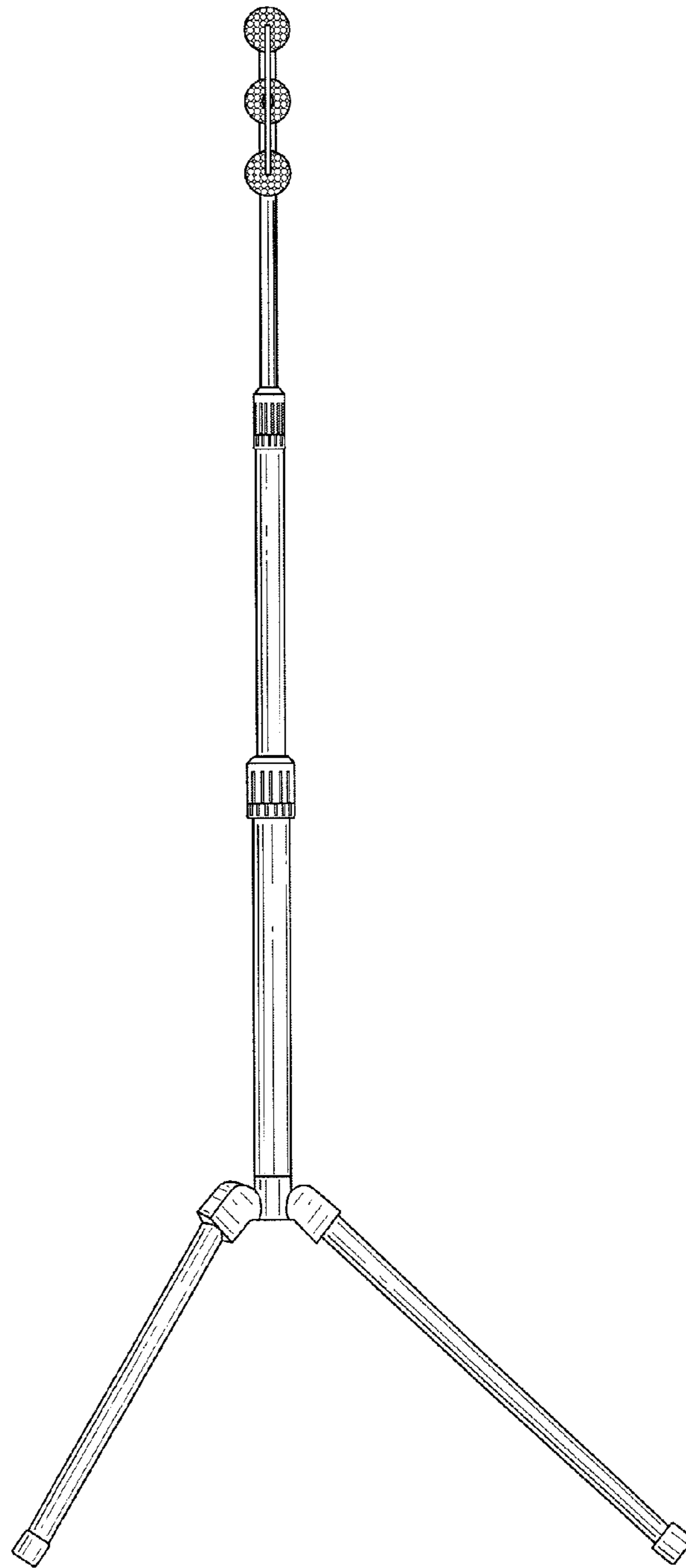


FIG. 4

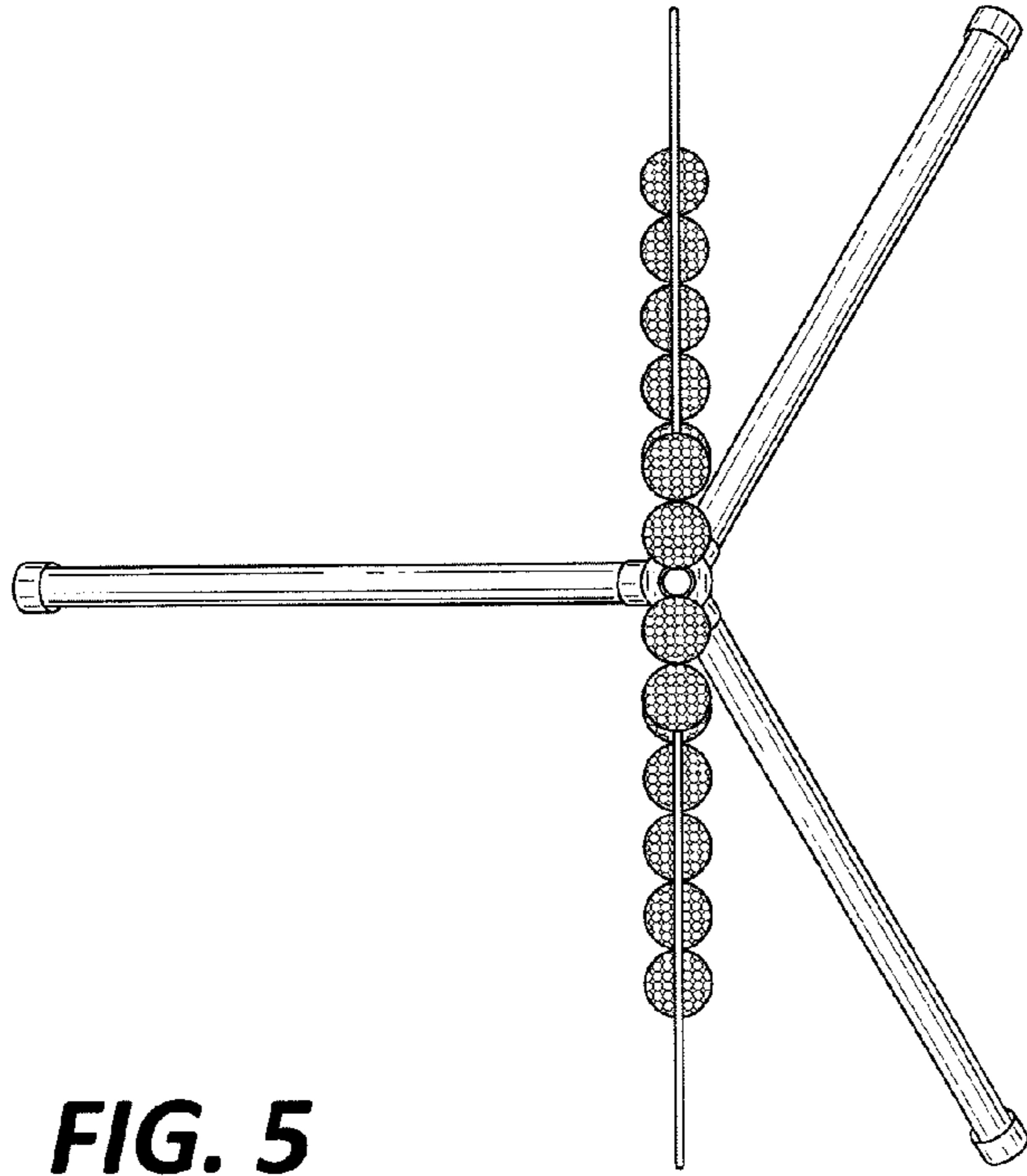


FIG. 5

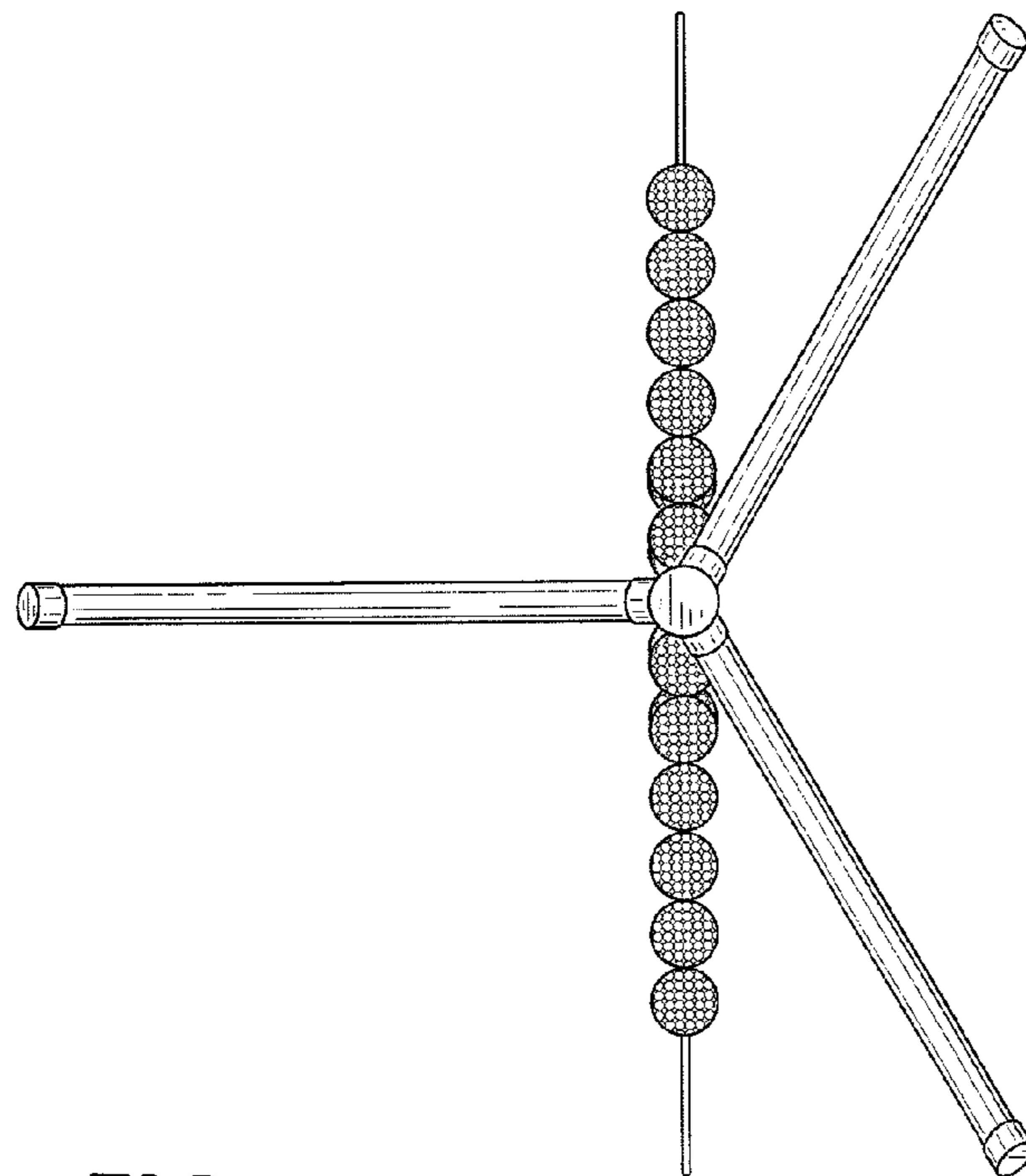


FIG. 6

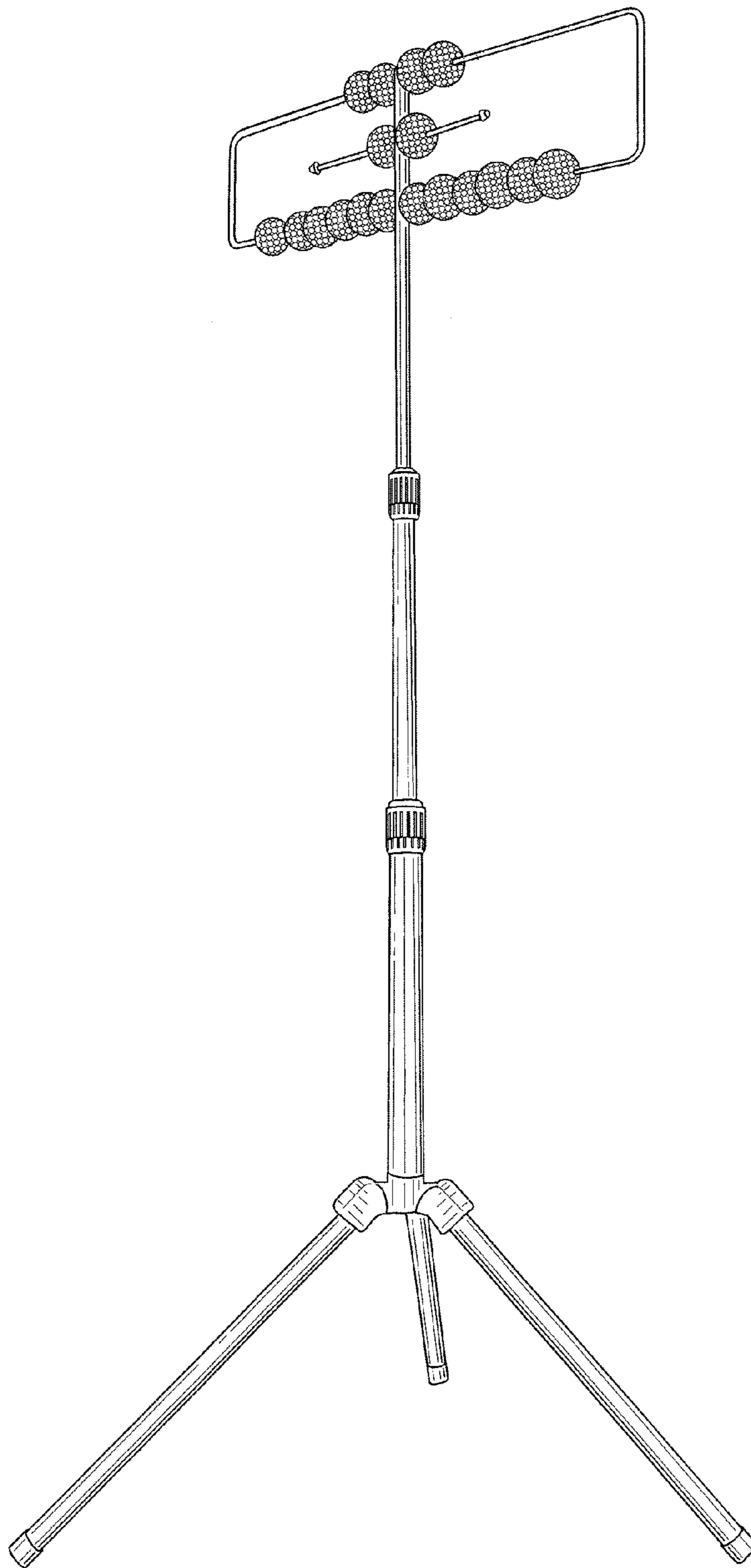


FIG. 7