



US00D644128S

(12) **United States Design Patent**
Aglassinger

(10) **Patent No.:** **US D644,128 S**

(45) **Date of Patent:** **** Aug. 30, 2011**

(54) **POSITION FINDER**

(75) Inventor: **Hans-Peter Aglassinger**, Esslingen (DE)

(73) Assignee: **Robert Bosch GmbH**, Stuttgart, DE
(US)

(**) Term: **14 Years**

(21) Appl. No.: **29/365,798**

(22) Filed: **Jul. 15, 2010**

(30) **Foreign Application Priority Data**

Apr. 26, 2010 (EM) 001210389

(51) **LOC (9) Cl.** **10-05**

(52) **U.S. Cl.** **D10/10**

(58) **Field of Classification Search** D10/65;
D14/315, 336, 337, 341, 342, 343; 342/386,
342/351, 419, 457, 357.2-357.78, 450, 458;
343/702; 345/87, 104, 133, 156, 168, 173,
345/901-905; 348/180, 184, 315, 739; 364/444,
364/499; 701/206-209, 213, 214

See application file for complete search history.

(56) **References Cited**

U.S. PATENT DOCUMENTS

D530,634 S * 10/2006 Baumgaertner D10/65
D531,067 S * 10/2006 Baumgaertner D10/65
D616,773 S * 6/2010 Hou D10/65
7,903,033 B2 * 3/2011 Bellows 343/702

* cited by examiner

Primary Examiner — Antoine Duval Davis

(74) *Attorney, Agent, or Firm* — Maginot, Moore & Beck

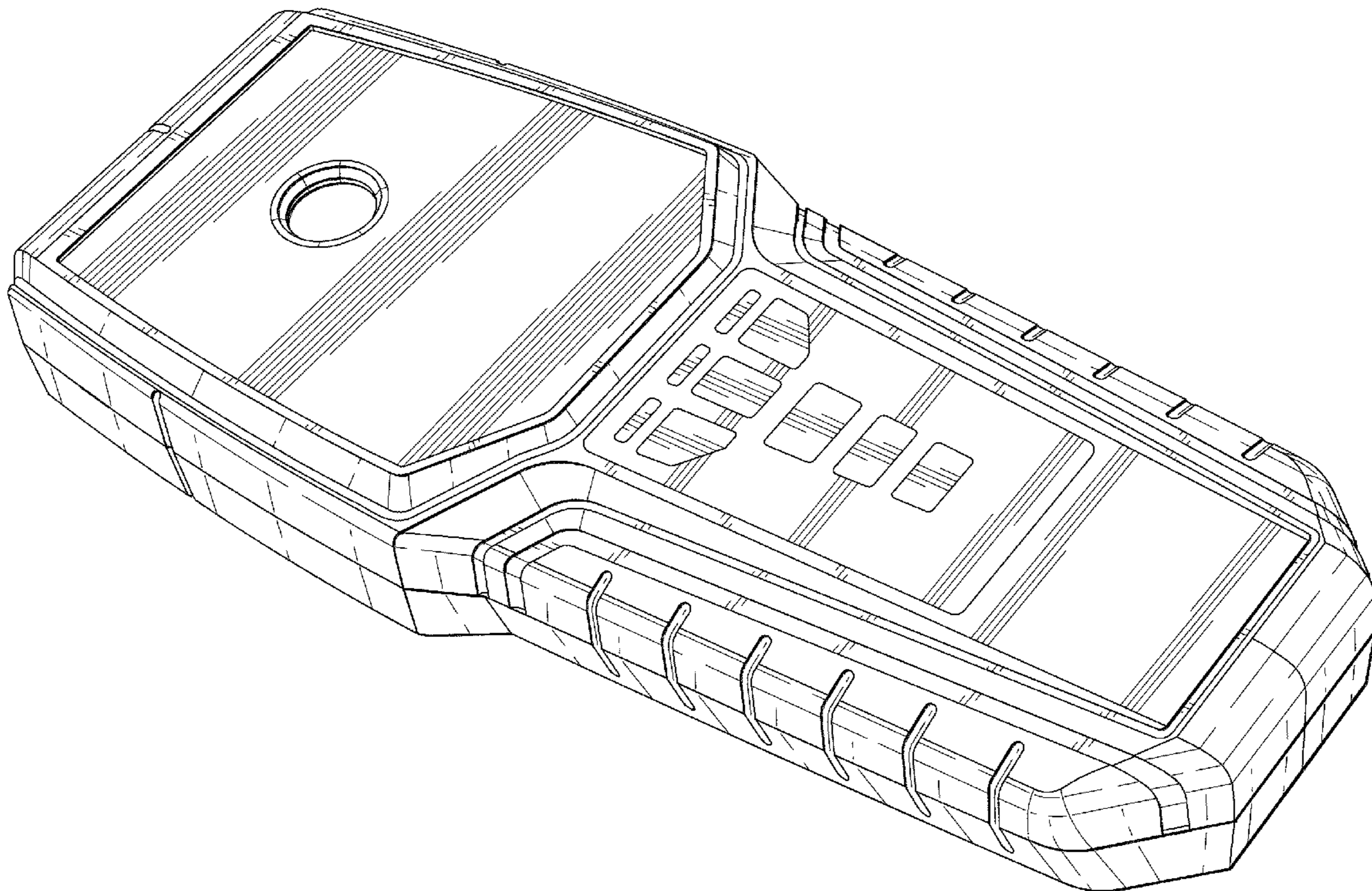
(57) **CLAIM**

The ornamental design for the position finder, as shown and described.

DESCRIPTION

FIG. 1 is a rear left perspective view of the position finder;
FIG. 2 is a right elevational view thereof;
FIG. 3 is a left elevational view thereof;
FIG. 4 is a front elevational view thereof;
FIG. 5 is a rear elevational view thereof;
FIG. 6 is a top plan view thereof; and,
FIG. 7 is a bottom plan view thereof.

1 Claim, 6 Drawing Sheets



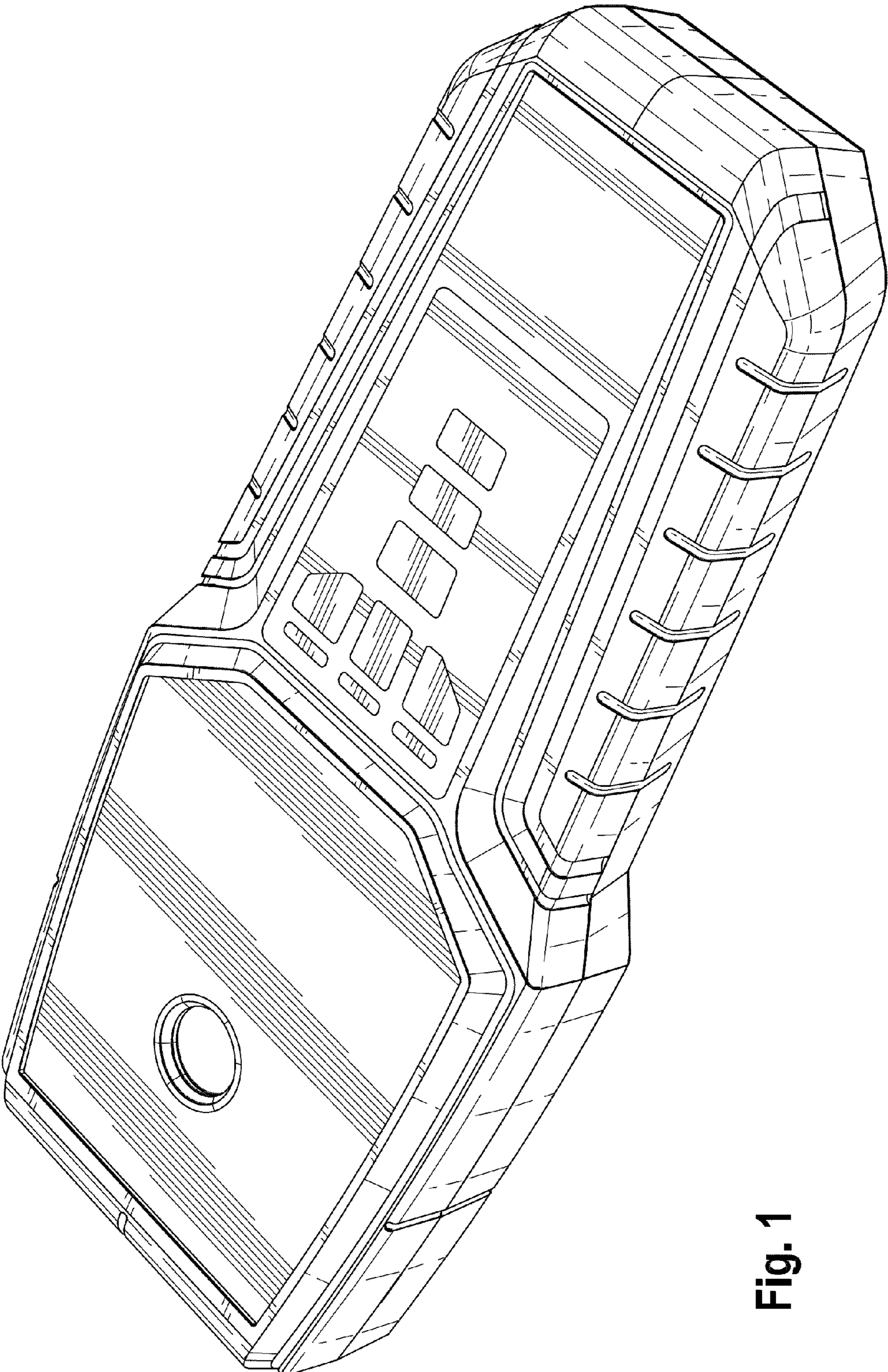


Fig. 1

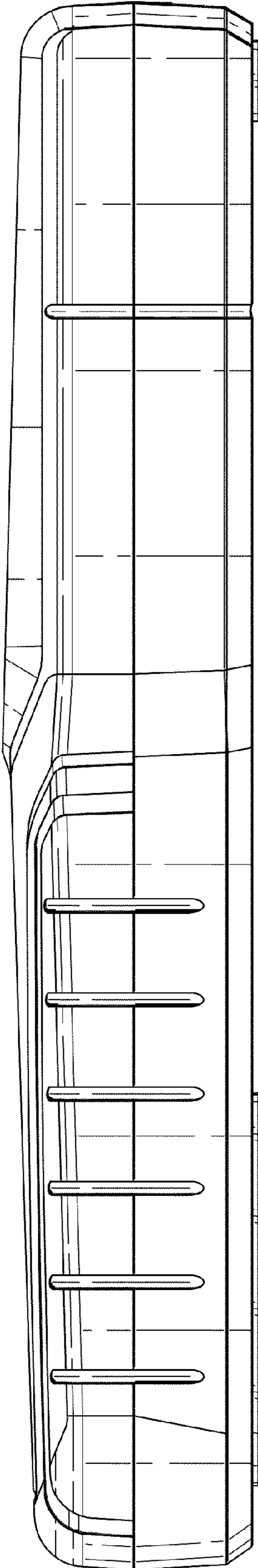


Fig. 2

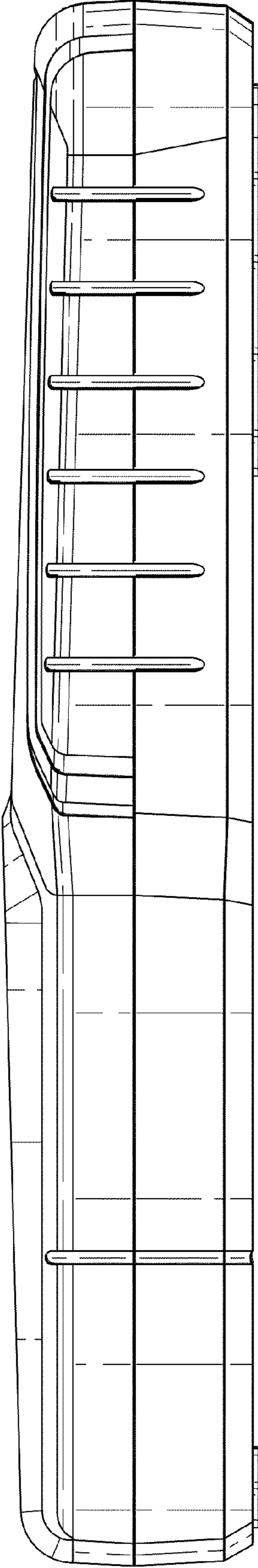


Fig. 3

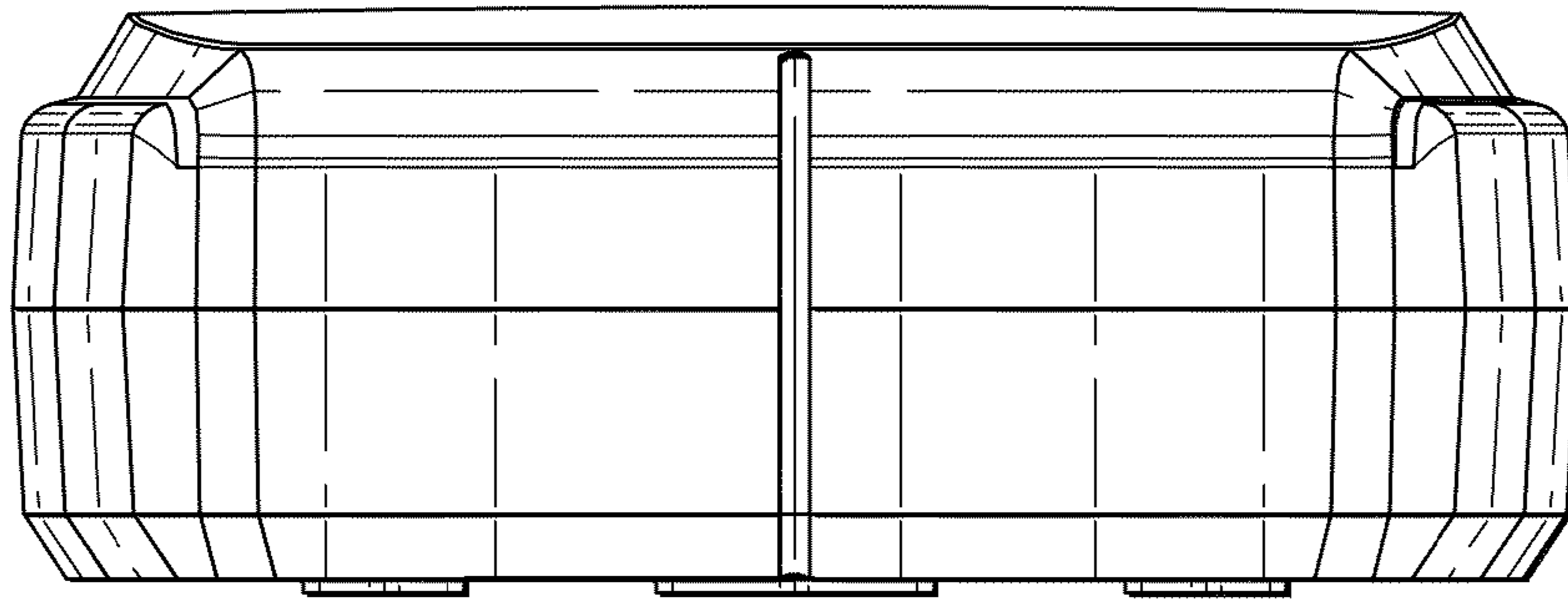


Fig. 4

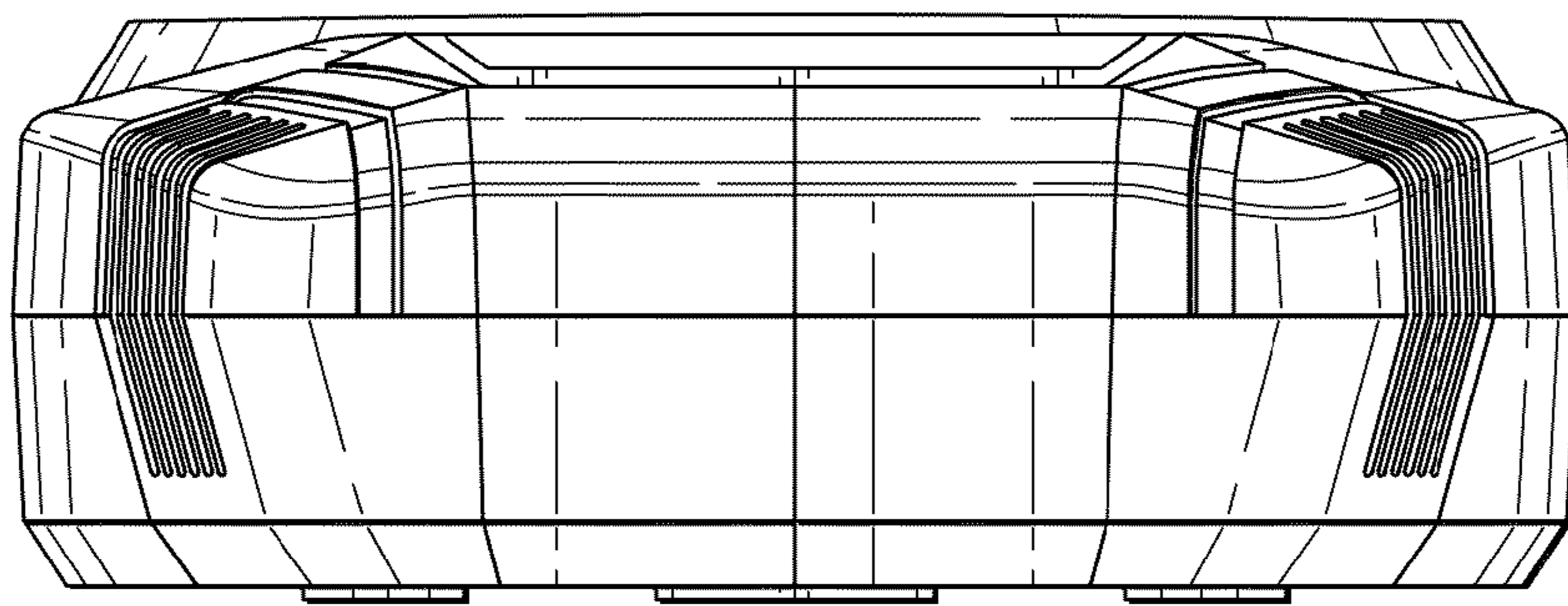


Fig. 5

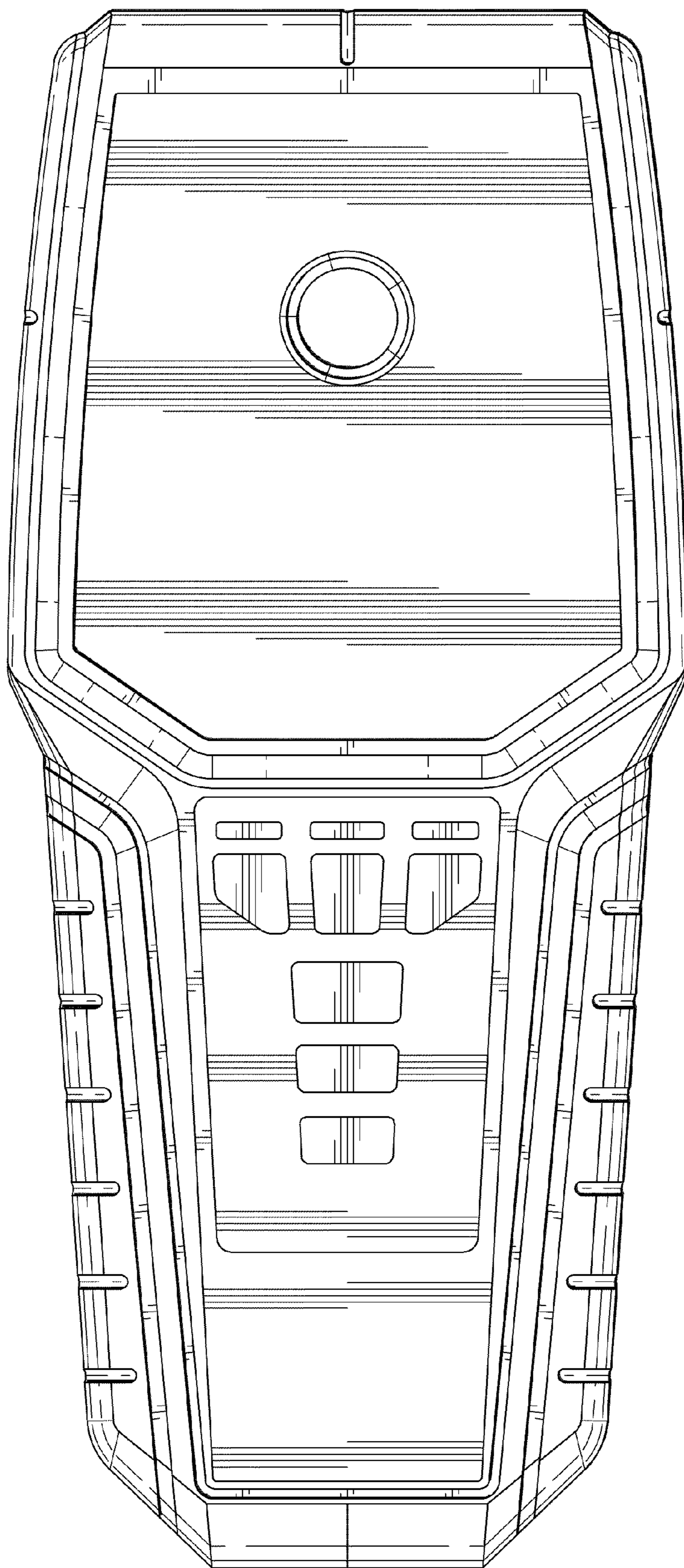


Fig. 6

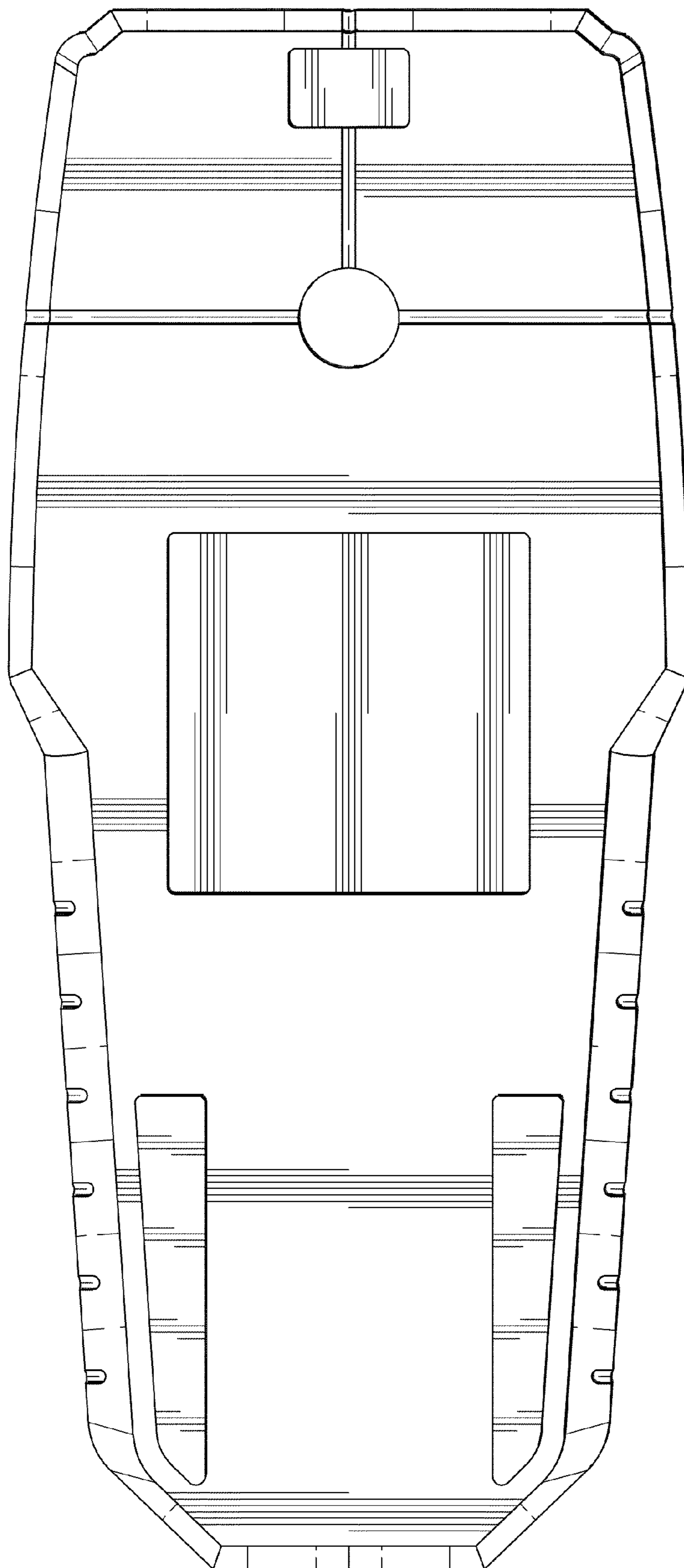


Fig. 7