



US00D644125S

(12) **United States Design Patent**
Cocchioni

(10) **Patent No.:** **US D644,125 S**

(45) **Date of Patent:** **** Aug. 30, 2011**

(54) **COTTON BUDS CONTAINER ASSEMBLY**

(75) Inventor: **Maria Chiara Cocchioni**, Spello (IT)

(73) Assignee: **Diva International S.R.L.**, Spello
(Perugia) (IT)

(**) Term: **14 Years**

(21) Appl. No.: **29/343,372**

(22) Filed: **Sep. 11, 2009**

(30) **Foreign Application Priority Data**

Mar. 18, 2009 (EM) 001107783

(51) **LOC (9) Cl.** **09-03**

(52) **U.S. Cl.** **D9/737; D9/420**

(58) **Field of Classification Search** D9/420-426,
D9/432, 414, 428, 761, 737, 418; D7/629,
D7/602; D3/273, 294, 20, 203.3, 206, 276,
D3/282, 284, 293, 295-298, 302, 315, 901,
D3/903, 905; 229/902, 904, 406, 407, 903;
426/106; 220/781-794, 674, 675, 4.21-4.24,
220/555, 556, 810, 836, 837, 841, 366.1,
220/367; 206/508, 216, 541, 6.1, 214, 575,
206/579; D6/6.1, 214, 575, 579

See application file for complete search history.

(56) **References Cited**

U.S. PATENT DOCUMENTS

D210,057 S *	1/1968	Pfrommer	D28/76
D297,118 S *	8/1988	Fontana et al.	D9/737
D297,119 S *	8/1988	Fontana et al.	D9/737
D297,775 S *	9/1988	Sussman	D28/76
D343,058 S *	1/1994	Allegre	D3/294
D351,997 S *	11/1994	Finnah	D9/737
D393,798 S *	4/1998	Joswick	D9/737
D431,322 S *	9/2000	Lemoine	D28/73
D463,658 S *	10/2002	Lemoine	D3/205
D463,907 S *	10/2002	Lemoine	D3/205
D464,791 S *	10/2002	Lemoine	D3/205
D467,808 S *	12/2002	Hagemann et al.	D9/522

D474,402 S *	5/2003	Baerenwald	D9/420
D492,196 S *	6/2004	Hyhlik et al.	D9/737
D503,829 S *	4/2005	Tanii et al.	D28/76
D503,830 S *	4/2005	Tanii et al.	D28/76
D529,820 S *	10/2006	Kissner et al.	D9/737
D530,617 S *	10/2006	Little et al.	D9/543
D539,135 S *	3/2007	Blasko et al.	D9/503
D540,169 S *	4/2007	Tanner	D9/503
D540,189 S *	4/2007	Larocca	D9/738
D540,190 S *	4/2007	Larocca	D9/738
D543,862 S *	6/2007	Miller et al.	D9/543

(Continued)

Primary Examiner — Mark Goodwin

(74) *Attorney, Agent, or Firm* — Steinfl & Bruno LLP

(57) **CLAIM**

The ornamental design for the cotton buds container assembly, as shown and described.

DESCRIPTION

FIG. 1 is a top, front and side perspective view of the cotton buds container assembly showing my new design in a closed condition.

FIG. 2 is a top, front and side perspective view of the cotton buds container assembly in an open condition.

FIG. 3 is a top, front and side perspective view of the cotton buds container assembly in an open condition with an internal element out of the cotton buds container.

FIG. 4 is a front view of the cotton buds container assembly.

FIG. 5 is a rear view of the cotton buds container assembly.

FIG. 6 is a right side view of the cotton buds container assembly.

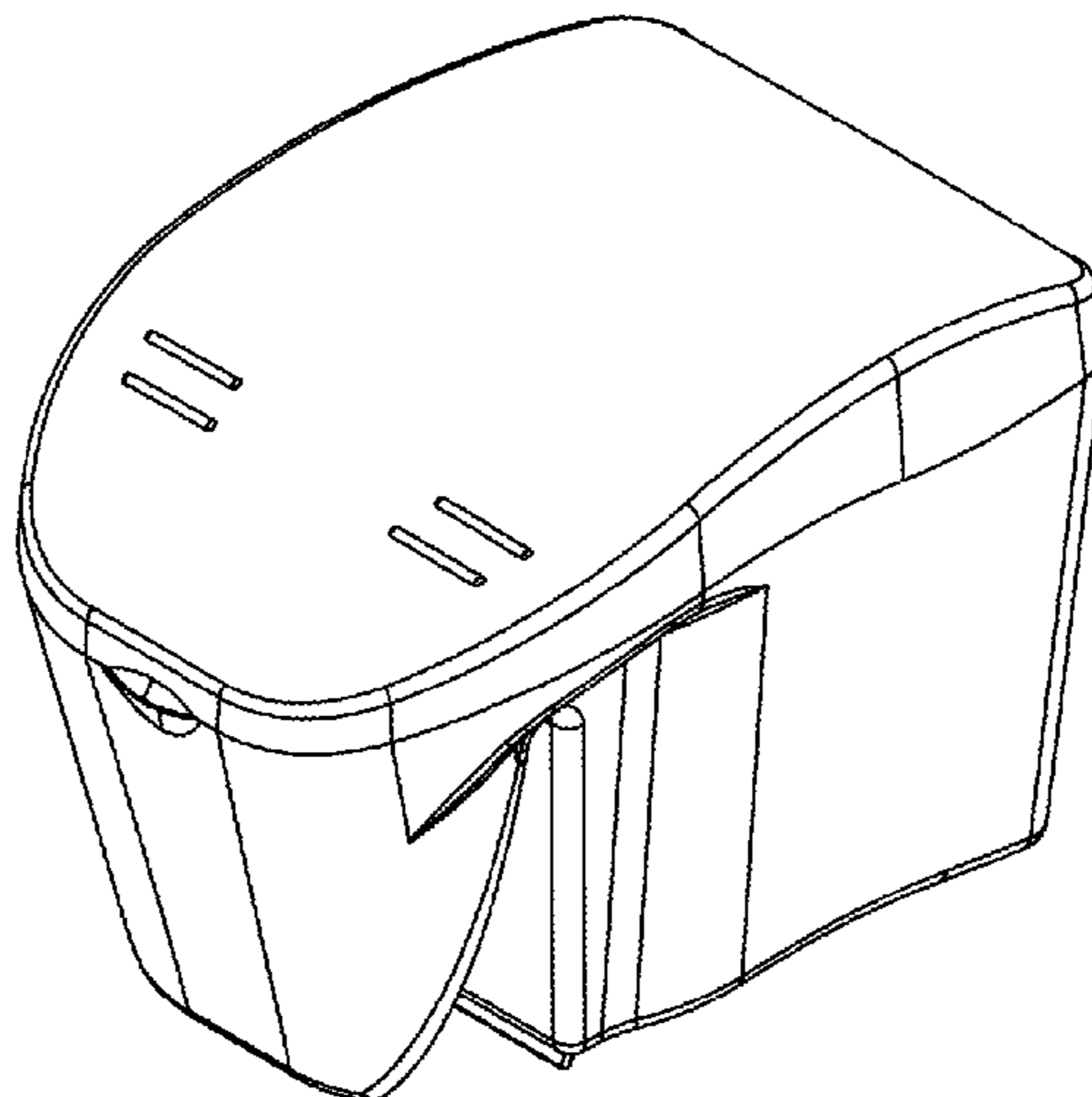
FIG. 7 is a left side view of the cotton buds container assembly.

FIG. 8 is a top view of the cotton buds container assembly; and,

FIG. 9 is a bottom view of the cotton buds container assembly.

The broken line showing of the inner container is included for the purpose of illustrating portions of the cotton buds container assembly and forms no part of the claimed design.

1 Claim, 9 Drawing Sheets



US D644,125 S

Page 2

U.S. PATENT DOCUMENTS

D545,186 S *	6/2007	Liebe et al.	D9/420	D553,491 S *	10/2007	Blasko et al.	D9/503
D548,589 S *	8/2007	Blasko et al.	D9/428	D585,735 S *	2/2009	Vovan et al.	D9/426
D551,072 S *	9/2007	Blasko et al.	D9/503	D588,915 S *	3/2009	Lohrman et al.	D9/449
D551,963 S *	10/2007	Blasko et al.	D9/503	D601,416 S *	10/2009	Fosse et al.	D9/425
D551,964 S *	10/2007	Blasko et al.	D9/503	D613,606 S *	4/2010	Pavy et al.	D9/522
D551,965 S *	10/2007	Blasko et al.	D9/503	D617,043 S *	6/2010	Patel et al.	D27/189
D551,966 S *	10/2007	Blasko et al.	D9/503	D625,597 S *	10/2010	Wichowski	D9/420

* cited by examiner

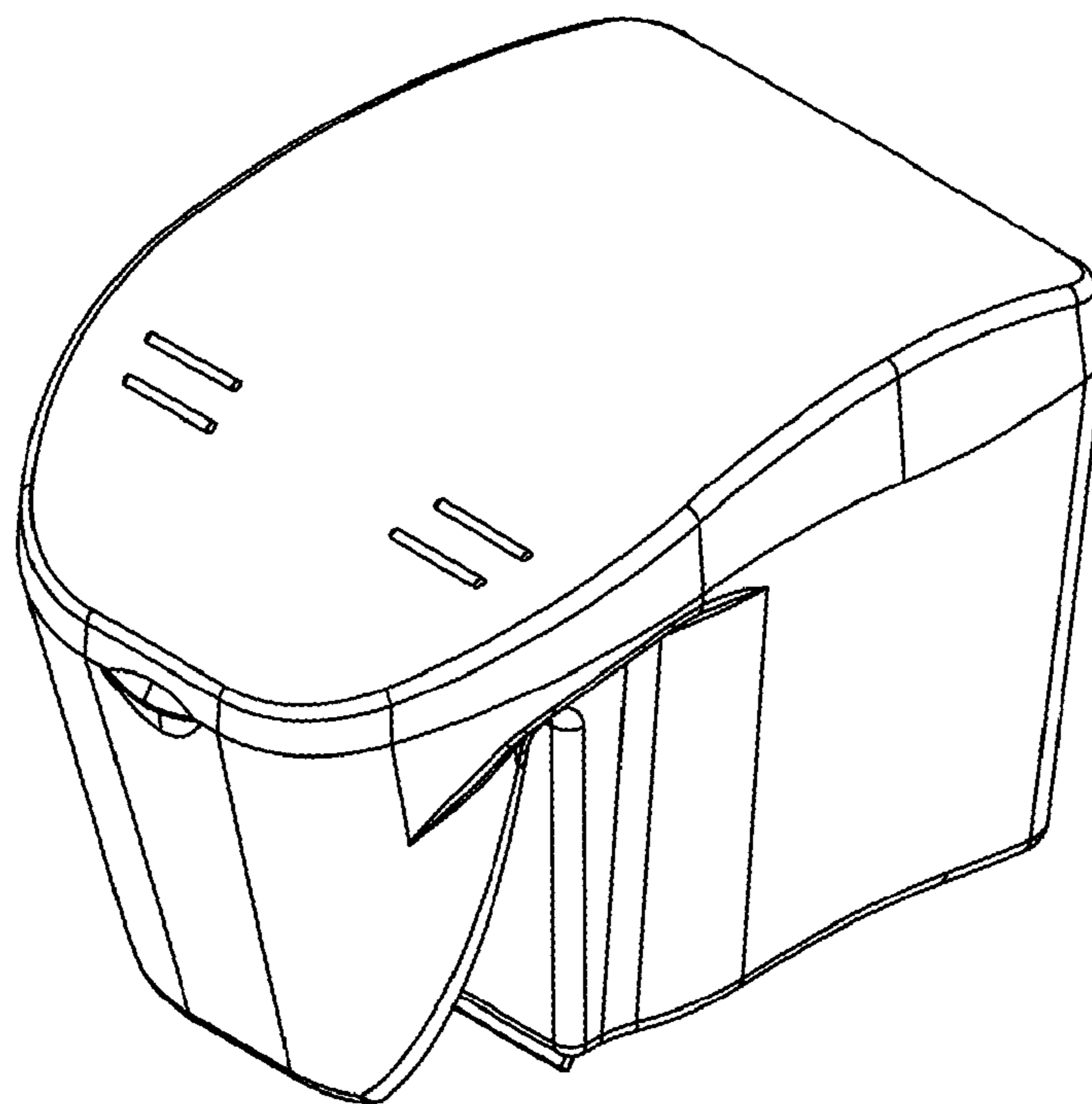


FIG. 1

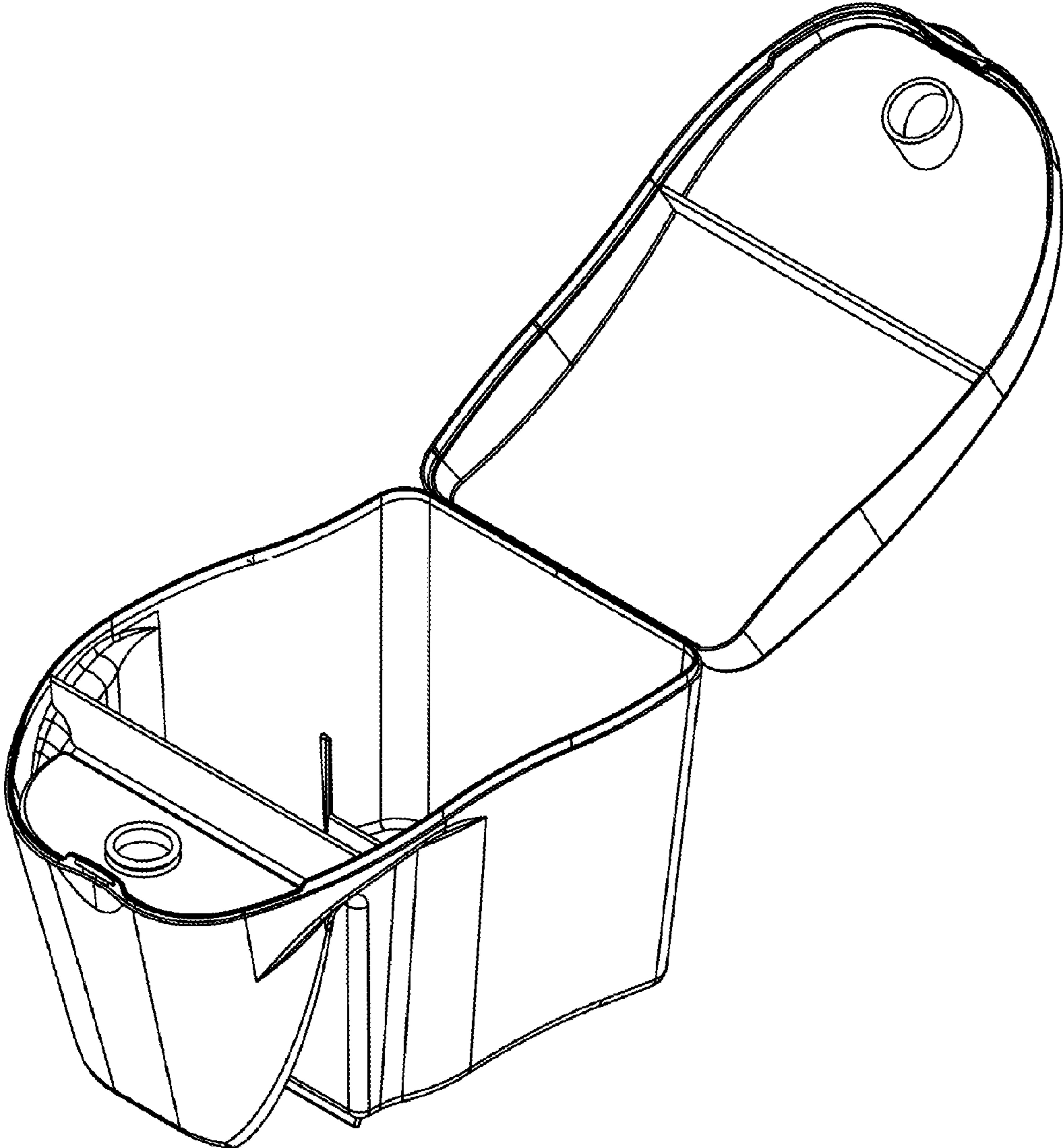


FIG. 2

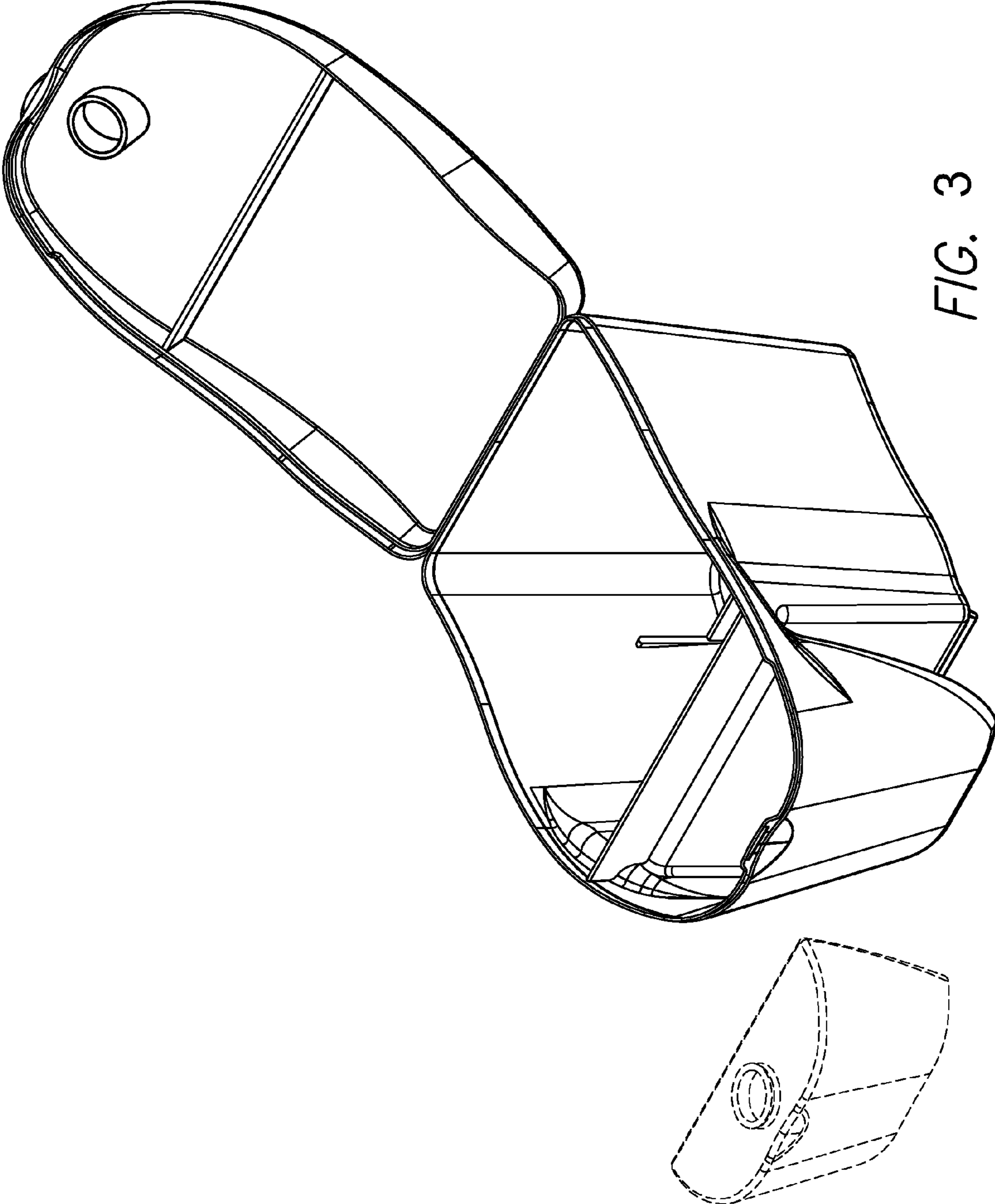


FIG. 3

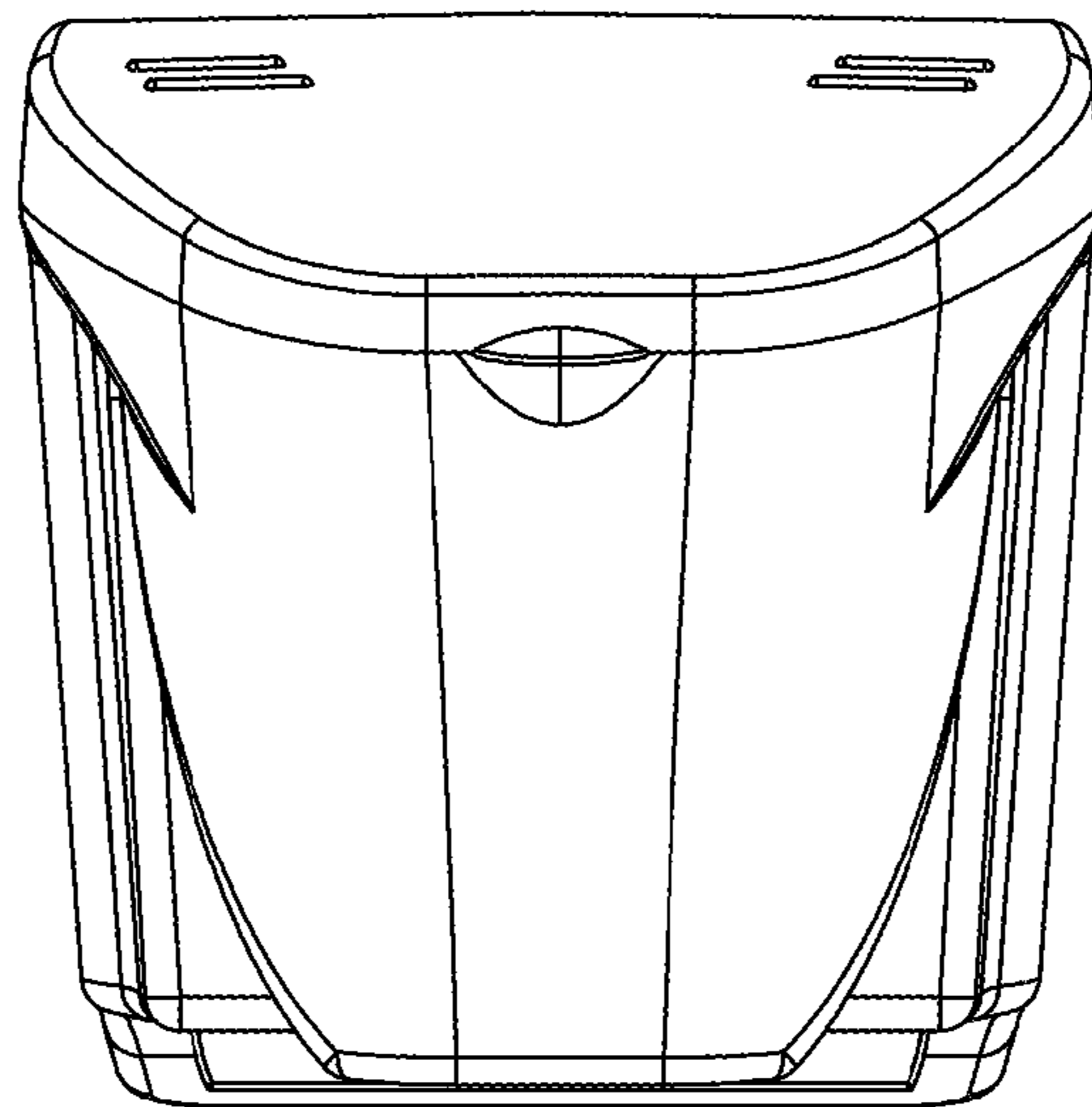


FIG. 4

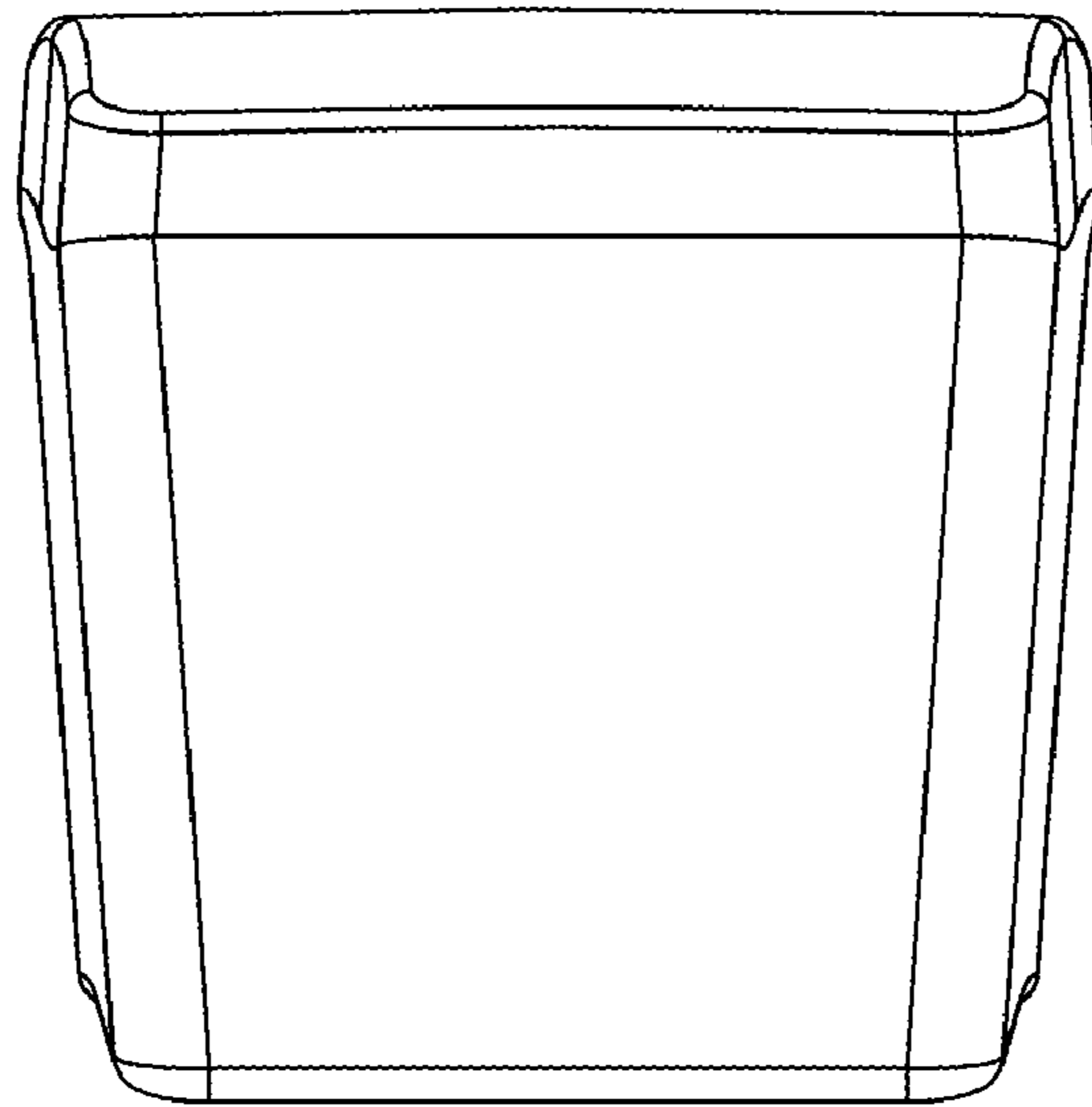


FIG. 5

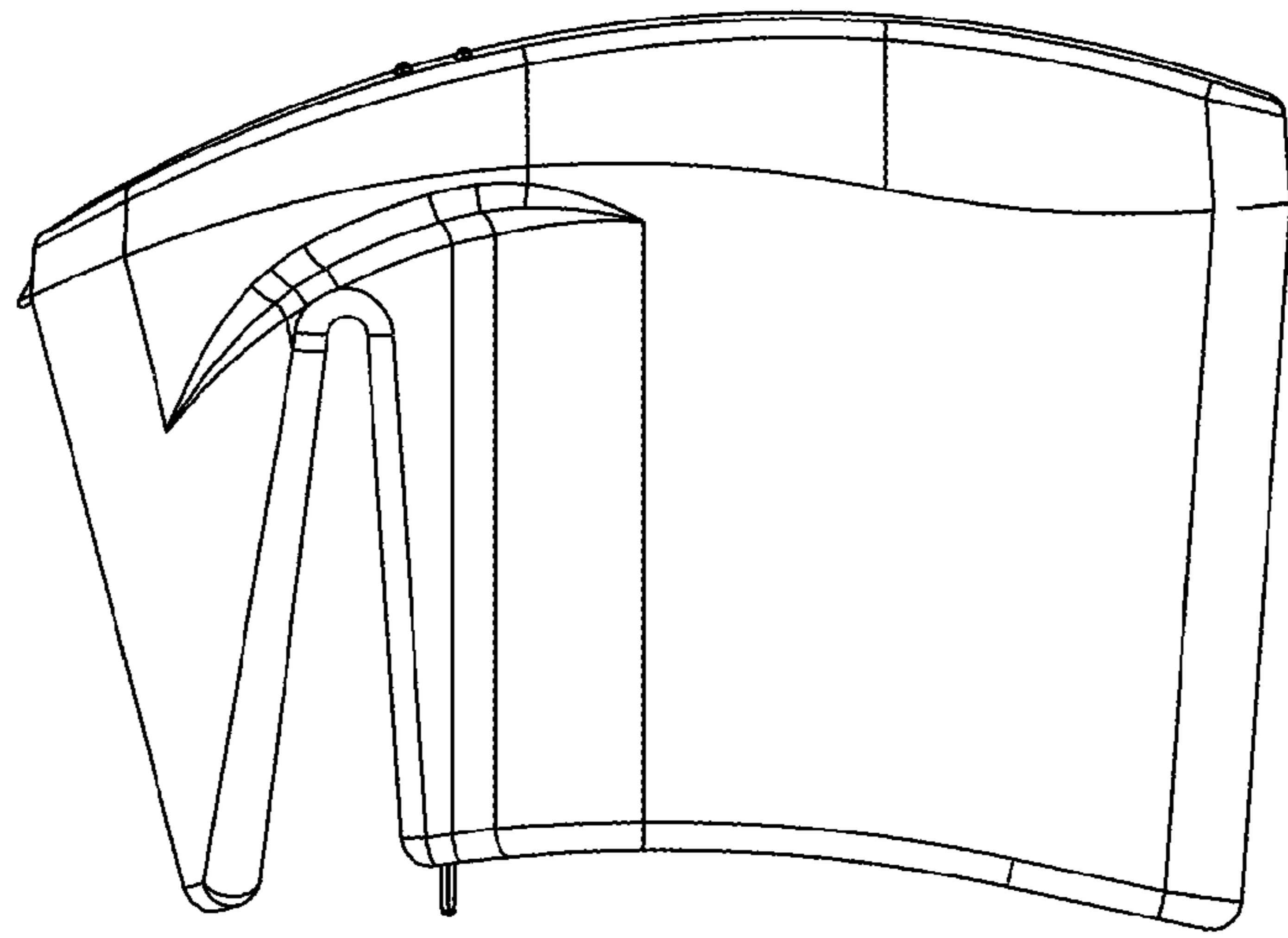


FIG. 6

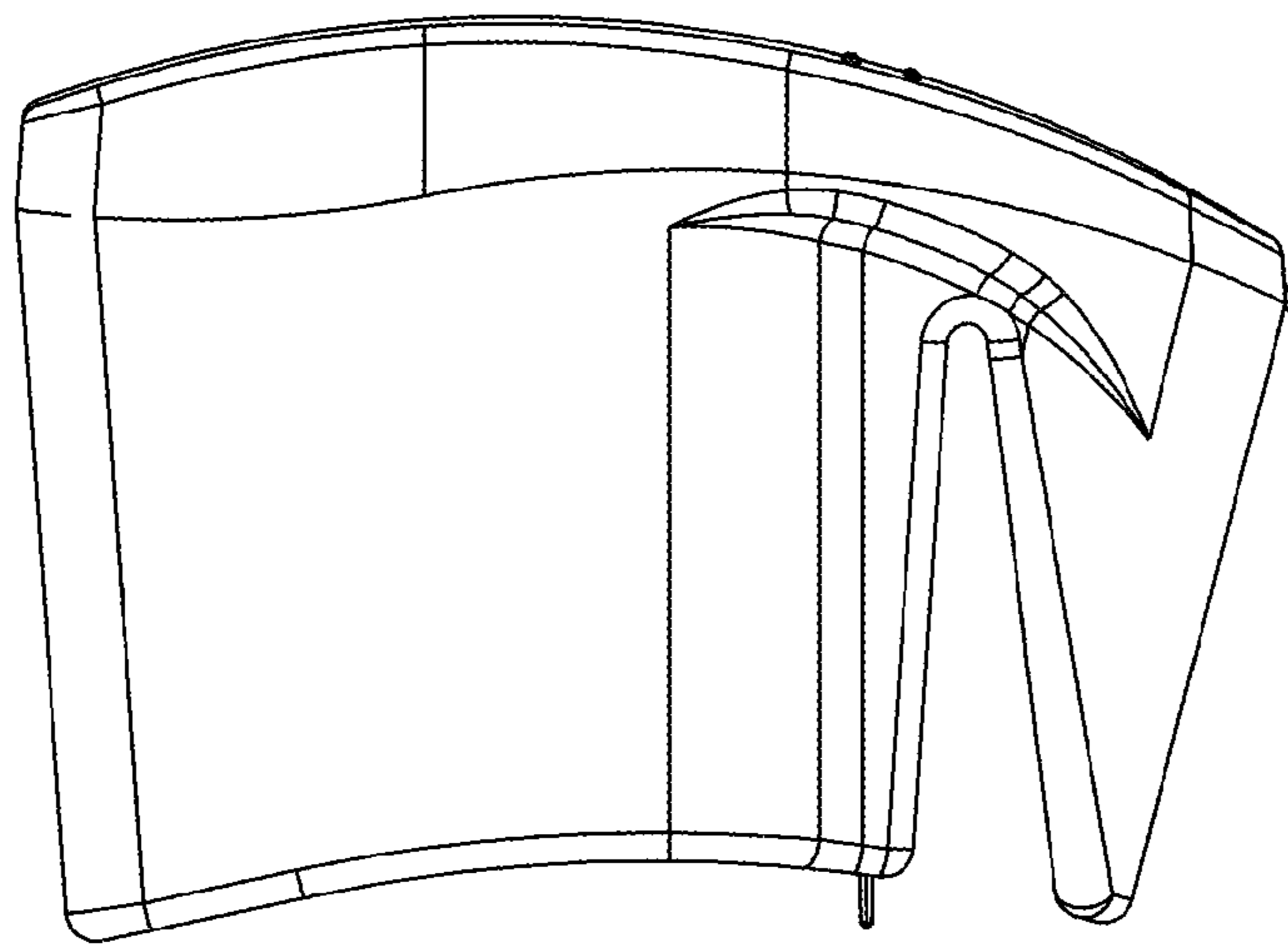


FIG. 7

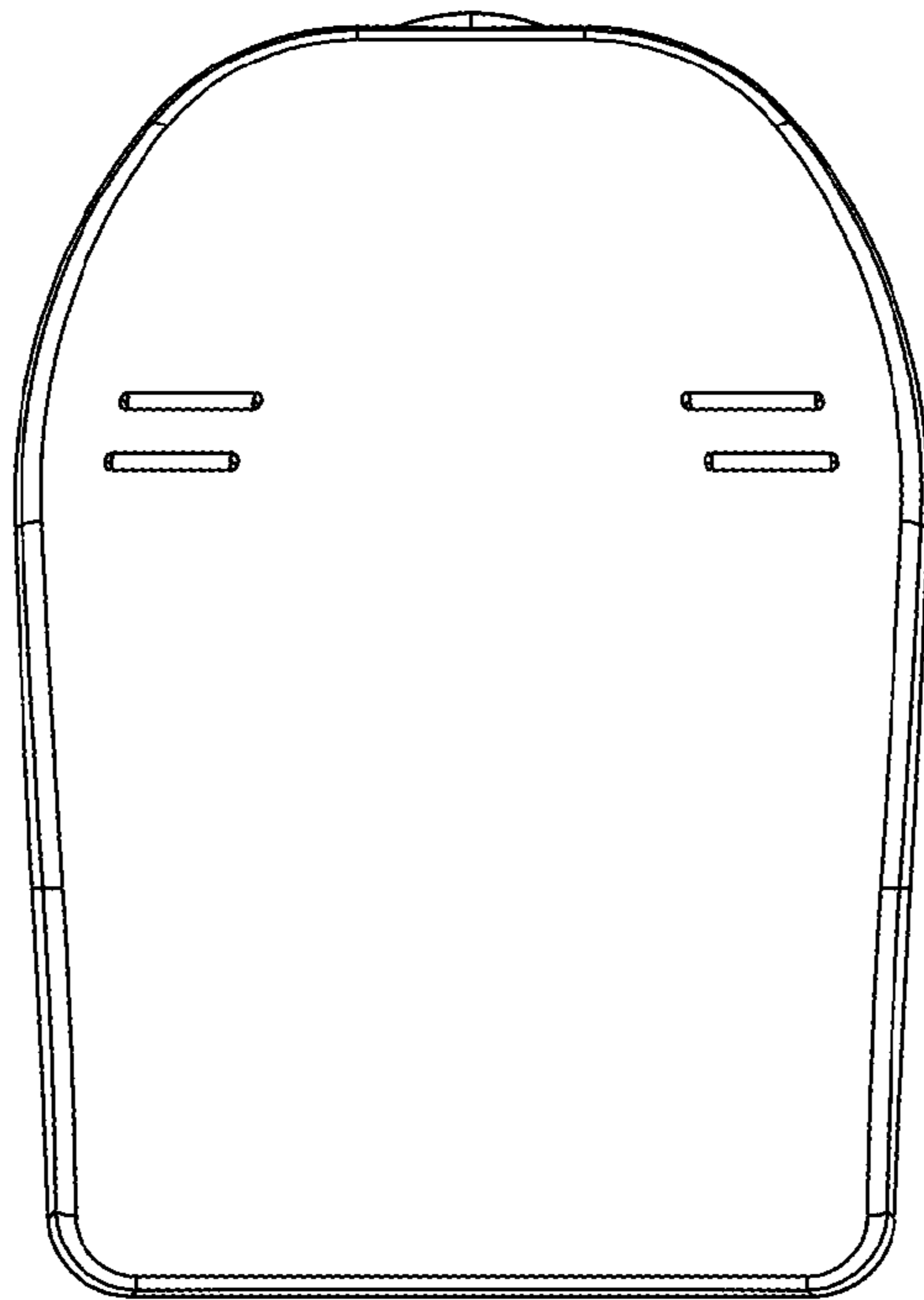


FIG. 8

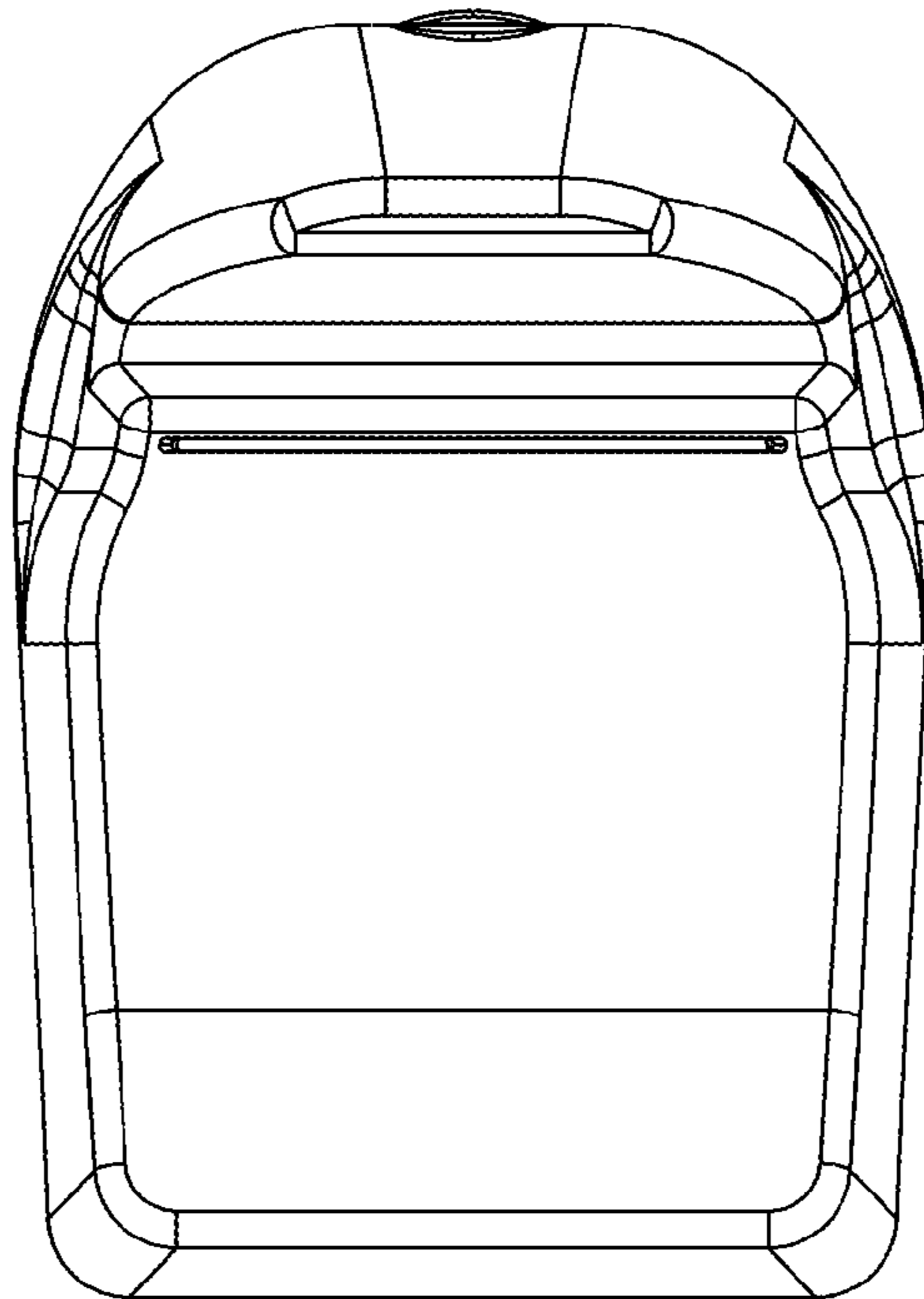


FIG. 9