



US00D644119S

(12) **United States Design Patent**
Giles

(10) **Patent No.:** **US D644,119 S**

(45) **Date of Patent:** **** Aug. 30, 2011**

(54) **CONTAINER ASSEMBLY**

(75) Inventor: **William Giles**, Manistique, MI (US)

(73) Assignee: **Becton, Dickinson and Company**,
Franklin Lakes, NJ (US)

(**) Term: **14 Years**

(21) Appl. No.: **29/353,988**

(22) Filed: **Jan. 18, 2010**

(51) **LOC (9) Cl.** **09-01**

(52) **U.S. Cl.** **D9/667; D9/549**

(58) **Field of Classification Search** D9/500–503,
D9/516, 529, 549, 557–558, 414, 428–429,
D9/434, 454; 206/457–458, 527; 215/400;
220/890

See application file for complete search history.

(56) **References Cited**

U.S. PATENT DOCUMENTS

| | | | | | | |
|--------------|----|---|---------|----------------|-------|--------|
| D143,296 | S | * | 12/1945 | Frederics | | D9/667 |
| D243,912 | S | * | 4/1977 | Daenen | | D9/500 |
| D244,065 | S | * | 4/1977 | Daenen | | D9/500 |
| D374,822 | S | * | 10/1996 | Philips | | D9/454 |
| 5,863,792 | A | | 1/1999 | Tyndorf et al. | | |
| D431,462 | S | * | 10/2000 | Menaged et al. | | D9/432 |
| D450,576 | S | * | 11/2001 | Taut | | D9/668 |
| D460,692 | S | * | 7/2002 | Cumberbatch | | D9/500 |
| D498,678 | S | * | 11/2004 | Ames | | D9/529 |
| D503,889 | S | * | 4/2005 | Yeung | | D9/549 |
| D510,524 | S | * | 10/2005 | Houk et al. | | D9/503 |
| D515,429 | S | * | 2/2006 | Pace | | D9/529 |
| D523,750 | S | * | 6/2006 | Lee et al. | | D9/549 |
| 2005/0189362 | A1 | | 9/2005 | Muller | | |
| 2006/0240549 | A1 | | 10/2006 | Minton | | |

FOREIGN PATENT DOCUMENTS

| | | | |
|----|------------|----|---------|
| EP | 0999266 | A1 | 5/2000 |
| EP | 1261690 | A1 | 12/2004 |
| FR | 2486915 | A1 | 1/1982 |
| JP | 2005312317 | A | 11/2005 |

OTHER PUBLICATIONS

Wilson, Frederic H. and Ball, William; Determination of Ammonia Inhibition in Fabric Impregnated with Antimicrobials; The Journal of the Association of Official Analytical Chemists, vol. 58, No. 5, 1975, pp. 998-1000.

* cited by examiner

Primary Examiner — Sandra Morris

(74) Attorney, Agent, or Firm — Hoffmann & Baron, LLP

(57) **CLAIM**

The ornamental design of a container assembly, as shown and described.

DESCRIPTION

FIG. 1 is an exploded perspective view of the container assembly showing a base and a lid in accordance with an embodiment of the present invention;

FIG. 2 is a top perspective view of the lid of FIG. 1;

FIG. 3 is a side perspective view of the lid of FIG. 1;

FIG. 4 is a further side perspective view of the lid of FIG. 1;

FIG. 5 is a bottom perspective view of the lid of FIG. 1;

FIG. 6 is a top perspective view of the base of FIG. 1;

FIG. 7 is a side perspective view of the base of FIG. 1;

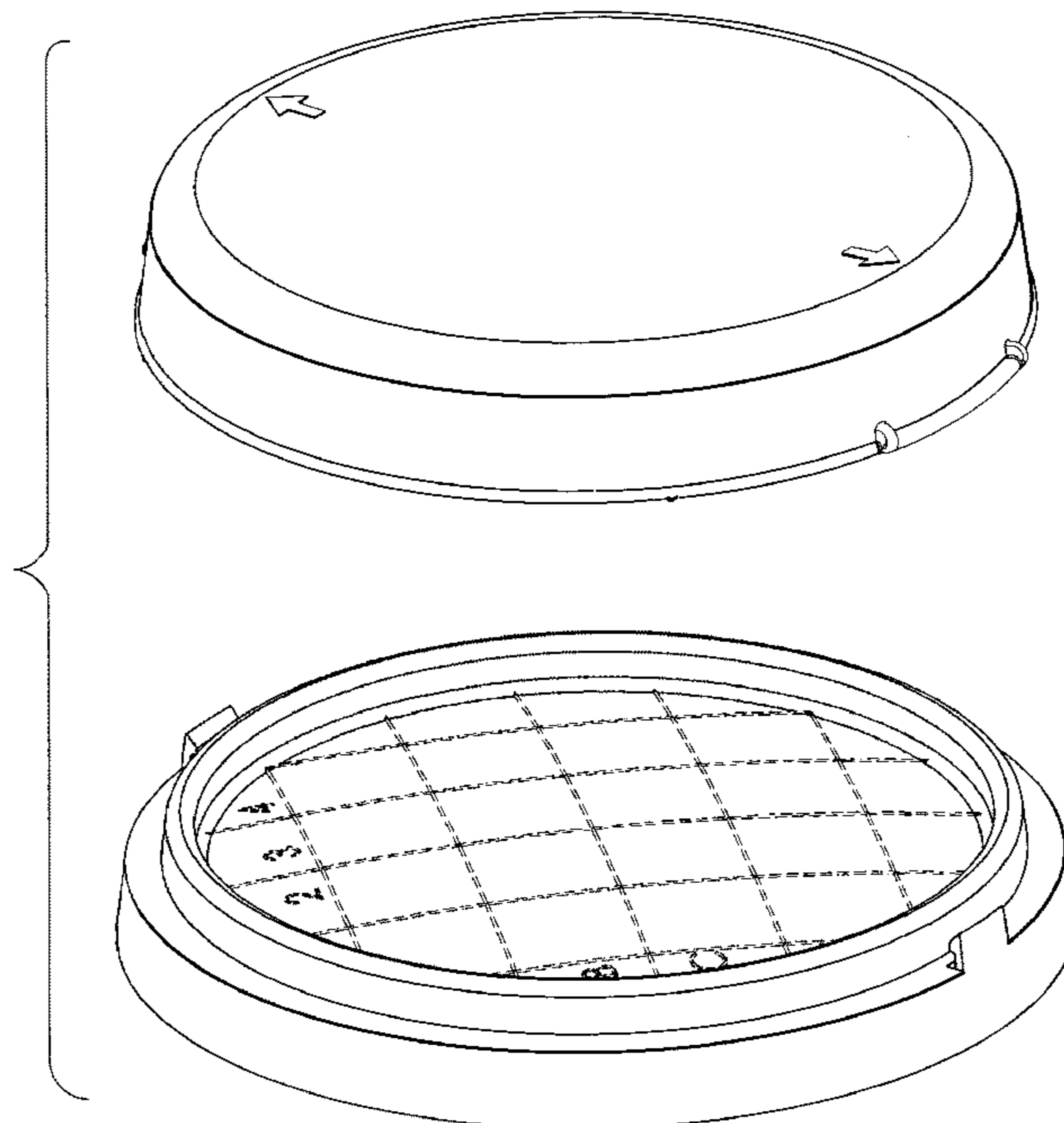
FIG. 8 is a further side perspective view of the base of FIG. 1;

and,

FIG. 9 is a bottom perspective view of the base of FIG. 1.

The broken lines in FIGS. 1, 5, 6 and 9 are included only for illustrative purposes; the broken lines form no part of the claimed design.

1 Claim, 7 Drawing Sheets



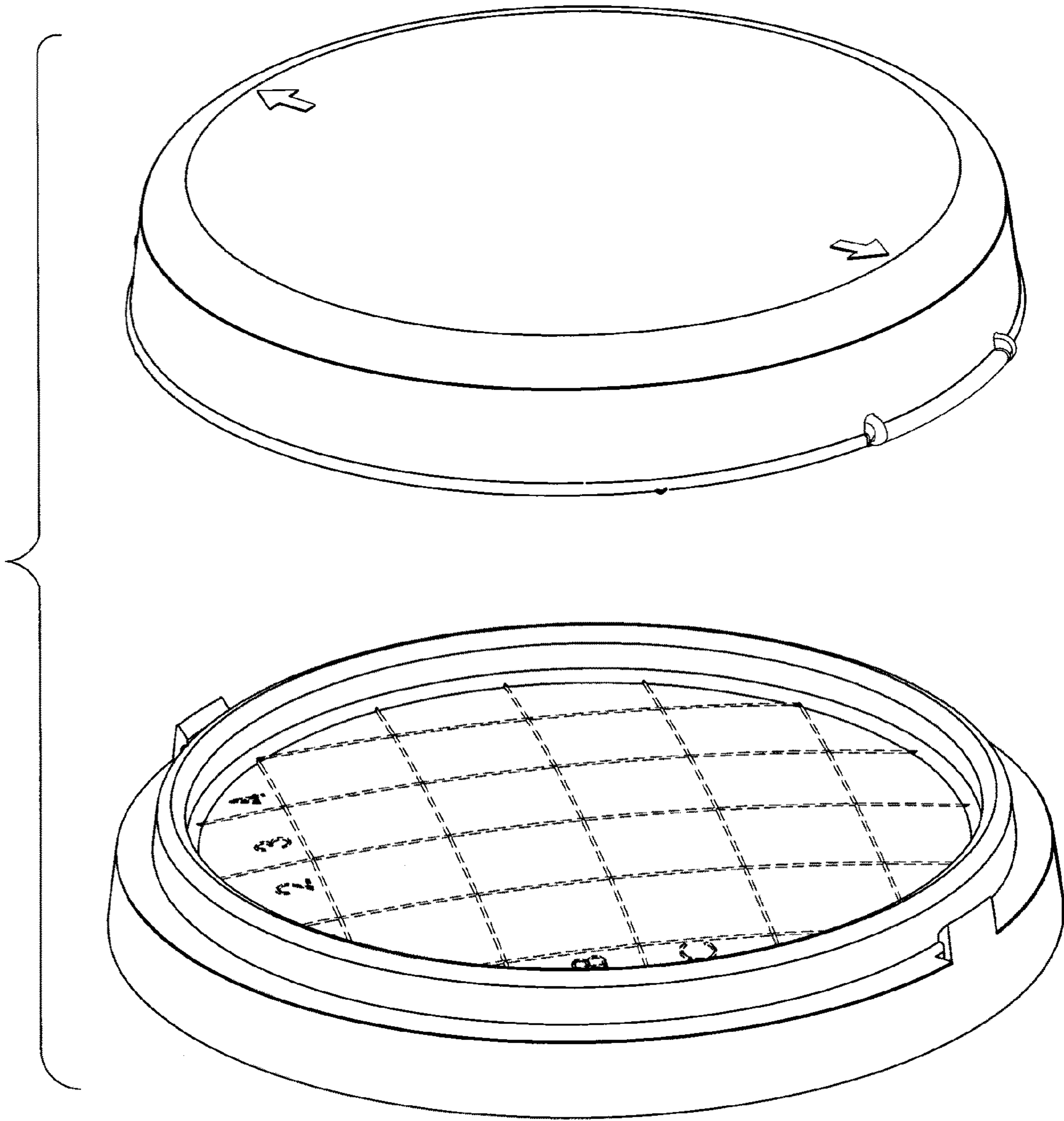


FIG. 1

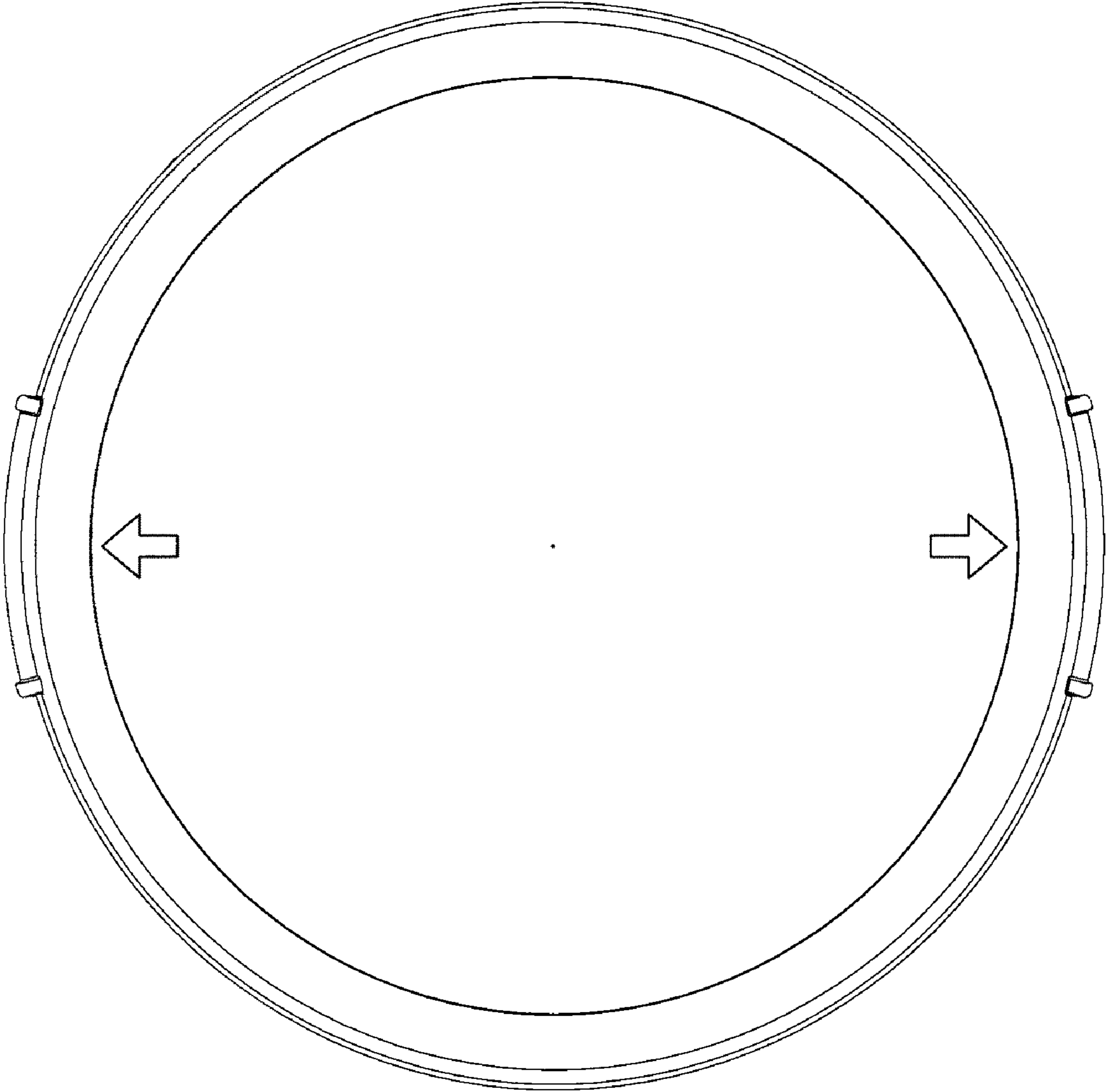


FIG.2

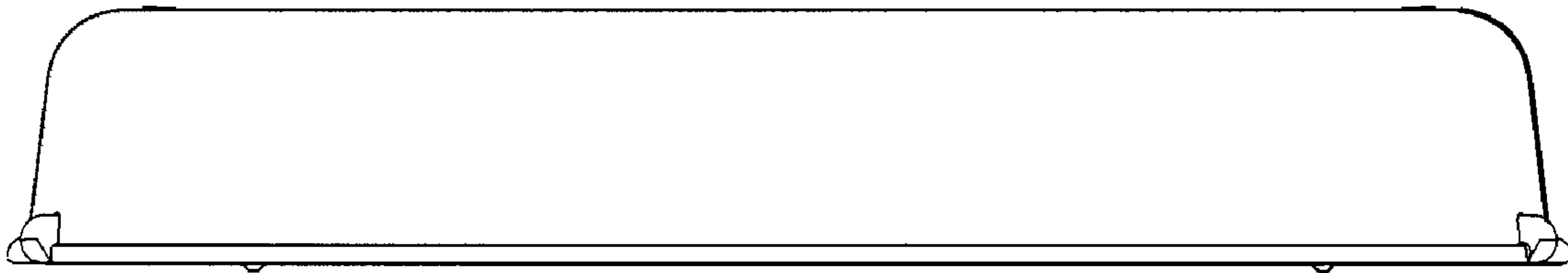


FIG.3

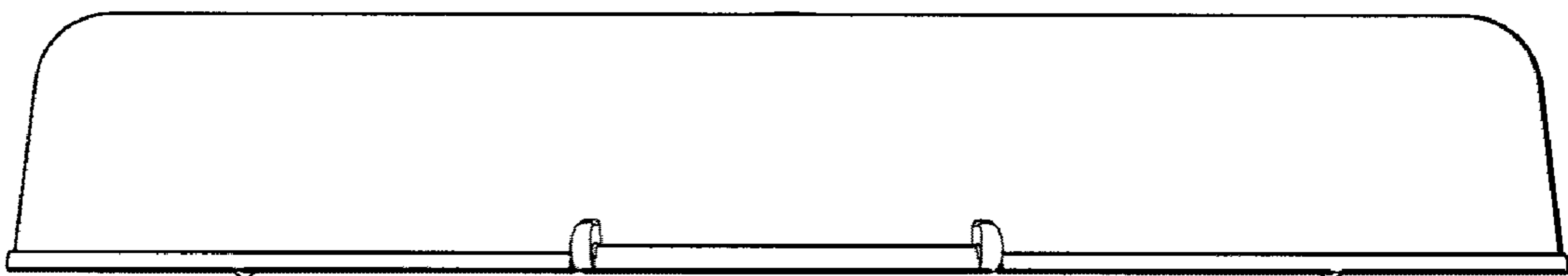


FIG.4

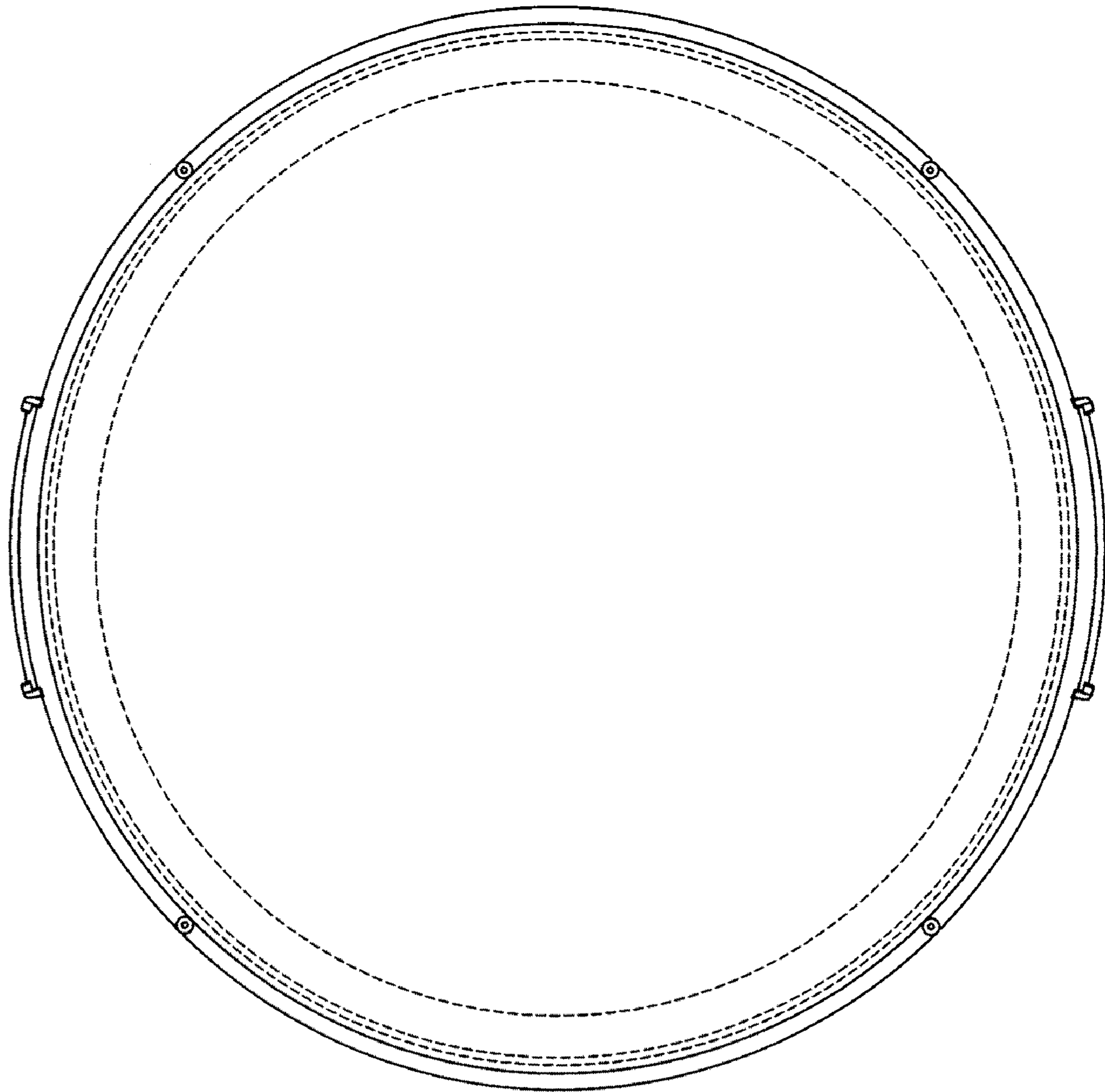


FIG.5

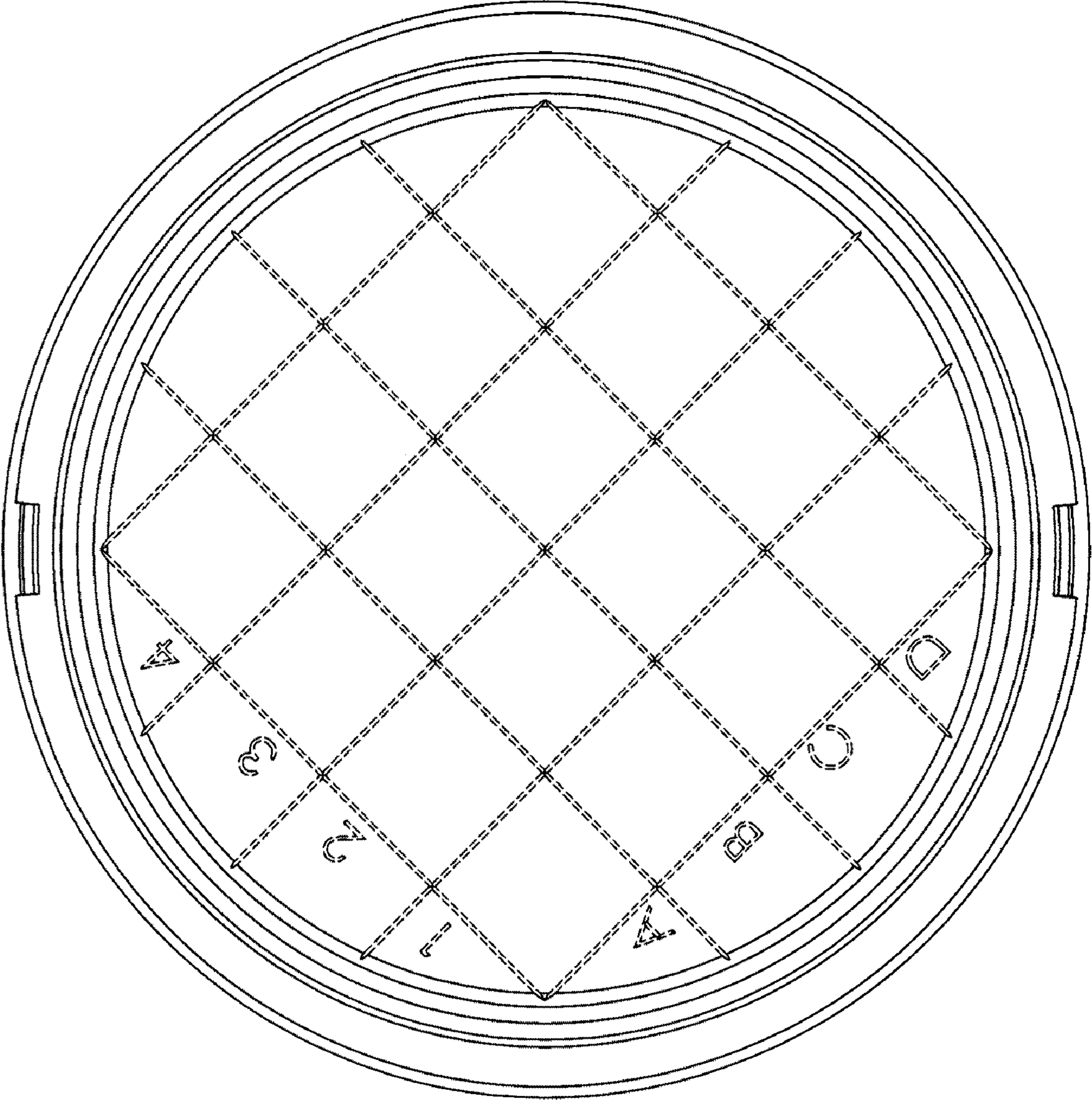


FIG.6

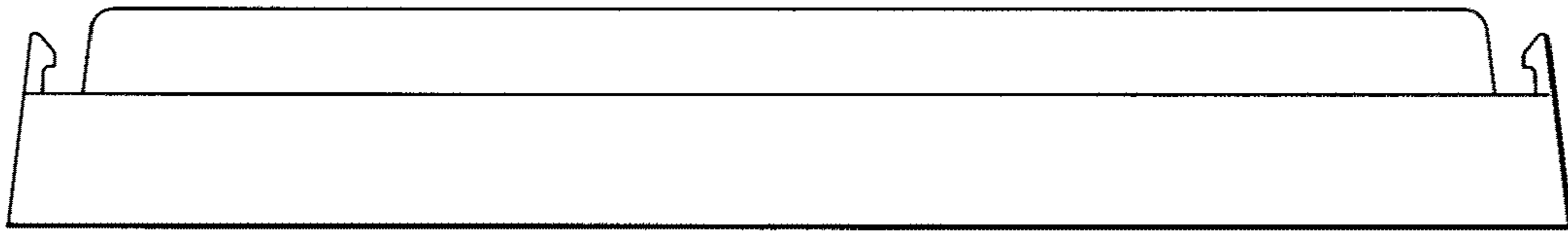


FIG. 7

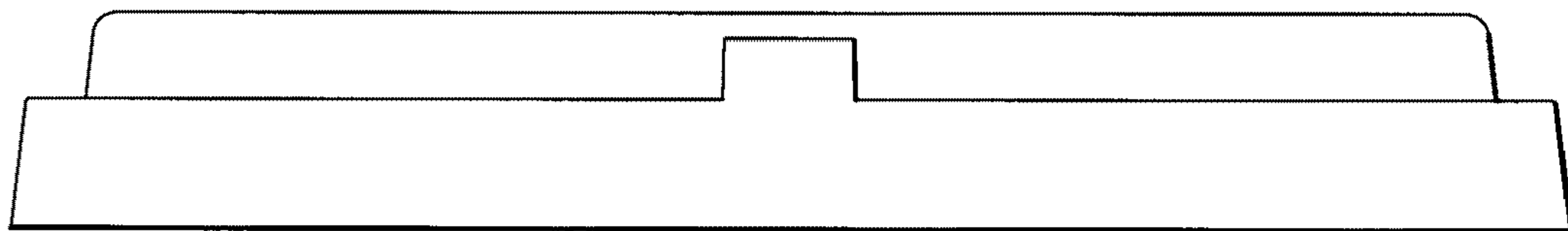


FIG. 8

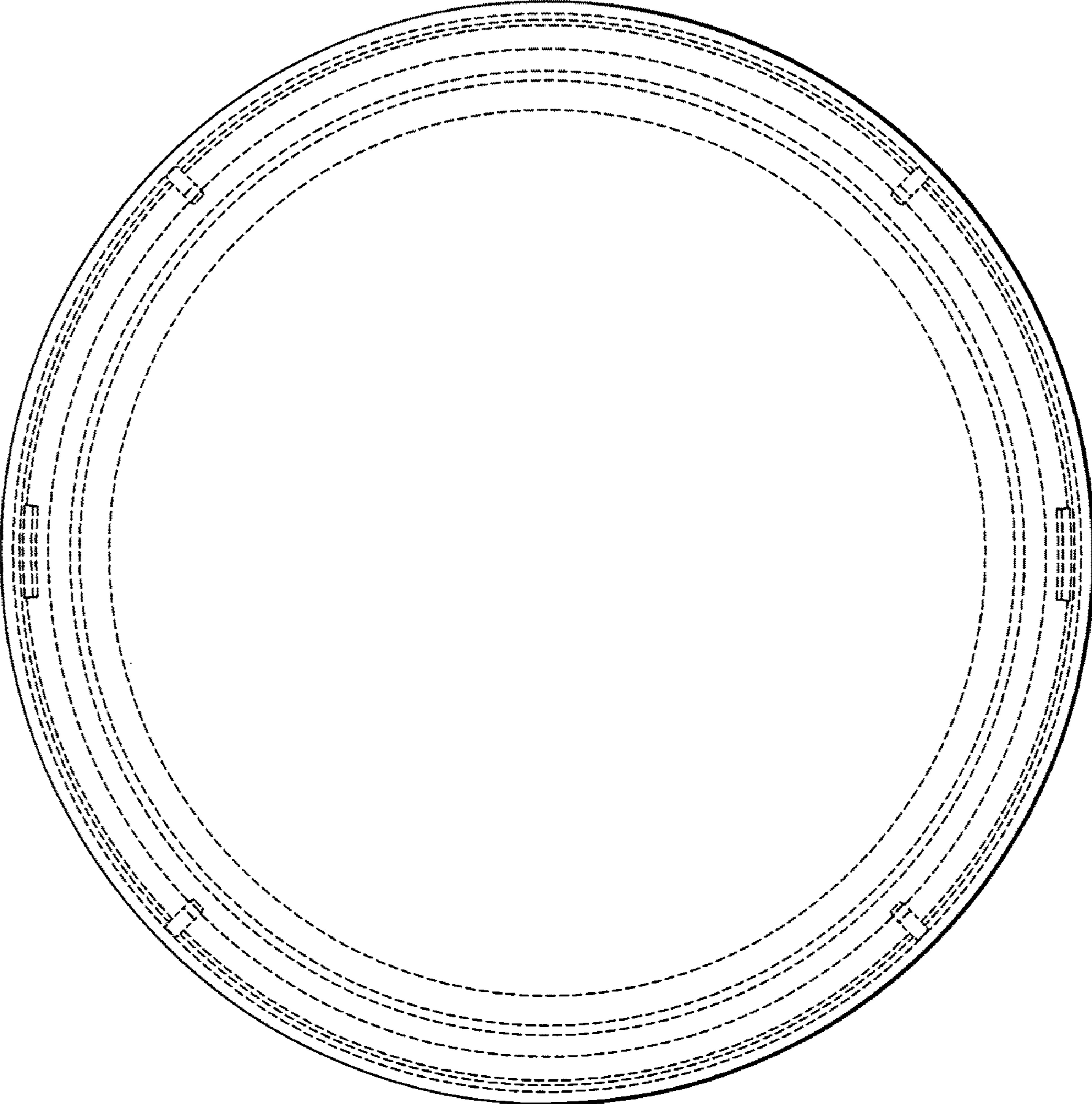


FIG.9