



US00D644104S

(12) **United States Design Patent**  
**Maeda et al.**

(10) **Patent No.:** **US D644,104 S**

(45) **Date of Patent:** **\*\* Aug. 30, 2011**

(54) **RUBBER STOPPER FOR VIAL**

(75) Inventors: **Katsushi Maeda**, Kobe (JP); **Eiji Yao**,  
Kobe (JP)

(73) Assignee: **Sumitomo Rubber Industries, Ltd.**,  
Kobe (JP)

(\*\*) Term: **14 Years**

(21) Appl. No.: **29/376,818**

(22) Filed: **Oct. 12, 2010**

(30) **Foreign Application Priority Data**

Apr. 15, 2010 (JP) ..... 2010-009536  
Apr. 15, 2010 (JP) ..... 2010-009537

(51) **LOC (9) Cl.** ..... **09-07**

(52) **U.S. Cl.** ..... **D9/439**

(58) **Field of Classification Search** ..... D9/656,  
D9/635, 565, 454, 452, 451, 447, 446, 441,  
D9/440, 439, 435; D7/399, 396, 396.5, 395,  
D7/393, 392.1, 387, 321, 300.2; D24/130,  
D24/129; D21/713; 222/529, 478, 153.06;  
220/825, 276, 254.8, 254.4; 215/364, 356,  
215/355, 230

See application file for complete search history.

(56) **References Cited**

**U.S. PATENT DOCUMENTS**

2,848,130 A \* 8/1958 Jesnig ..... 215/45  
3,136,440 A \* 6/1964 Krug et al. .... 215/247  
D241,018 S \* 8/1976 De Amico ..... D9/439  
D242,128 S \* 11/1976 Chase ..... D9/447  
D259,704 S \* 6/1981 Castronovo ..... D9/447  
D289,796 S \* 5/1987 Larkin ..... D24/224  
D301,117 S \* 5/1989 Baxter ..... D9/439  
D350,481 S \* 9/1994 DeLury ..... D9/436  
D422,357 S \* 4/2000 Niedospial et al. .... D24/129  
D462,803 S \* 9/2002 Meoli ..... D27/135  
D528,417 S \* 9/2006 Matsuda et al. .... D9/439  
2007/0272650 A1 \* 11/2007 Kishi et al. .... 215/364

**FOREIGN PATENT DOCUMENTS**

JP 459684 10/1977  
JP 681096 6/1986  
JP 747164 10/1988  
JP 63-296756 A 12/1988  
JP 11-047234 A 2/1999  
JP 1066095 4/2000  
JP 1066096 4/2000  
JP 1133929 2/2002

\* cited by examiner

*Primary Examiner* — Susan Bennett Hattan

(74) *Attorney, Agent, or Firm* — Birch, Stewart, Kolasch &  
Birch, LLP

(57) **CLAIM**

The ornamental design for a rubber stopper for vial, as shown  
and described.

**DESCRIPTION**

FIG. 1 is a front view of a first embodiment of a rubber stopper  
for vial showing my new design;

FIG. 2 is a rear view thereof;

FIG. 3 is a top view thereof;

FIG. 4 is a bottom view thereof;

FIG. 5 is a left side view thereof;

FIG. 6 is a perspective view thereof; and

FIG. 7 is a cross-sectional view thereof.

FIG. 8 is a front view of a second embodiment of a rubber  
stopper for vial showing my new design;

FIG. 9 is a rear view thereof;

FIG. 10 is a top view thereof;

FIG. 11 is a bottom view thereof;

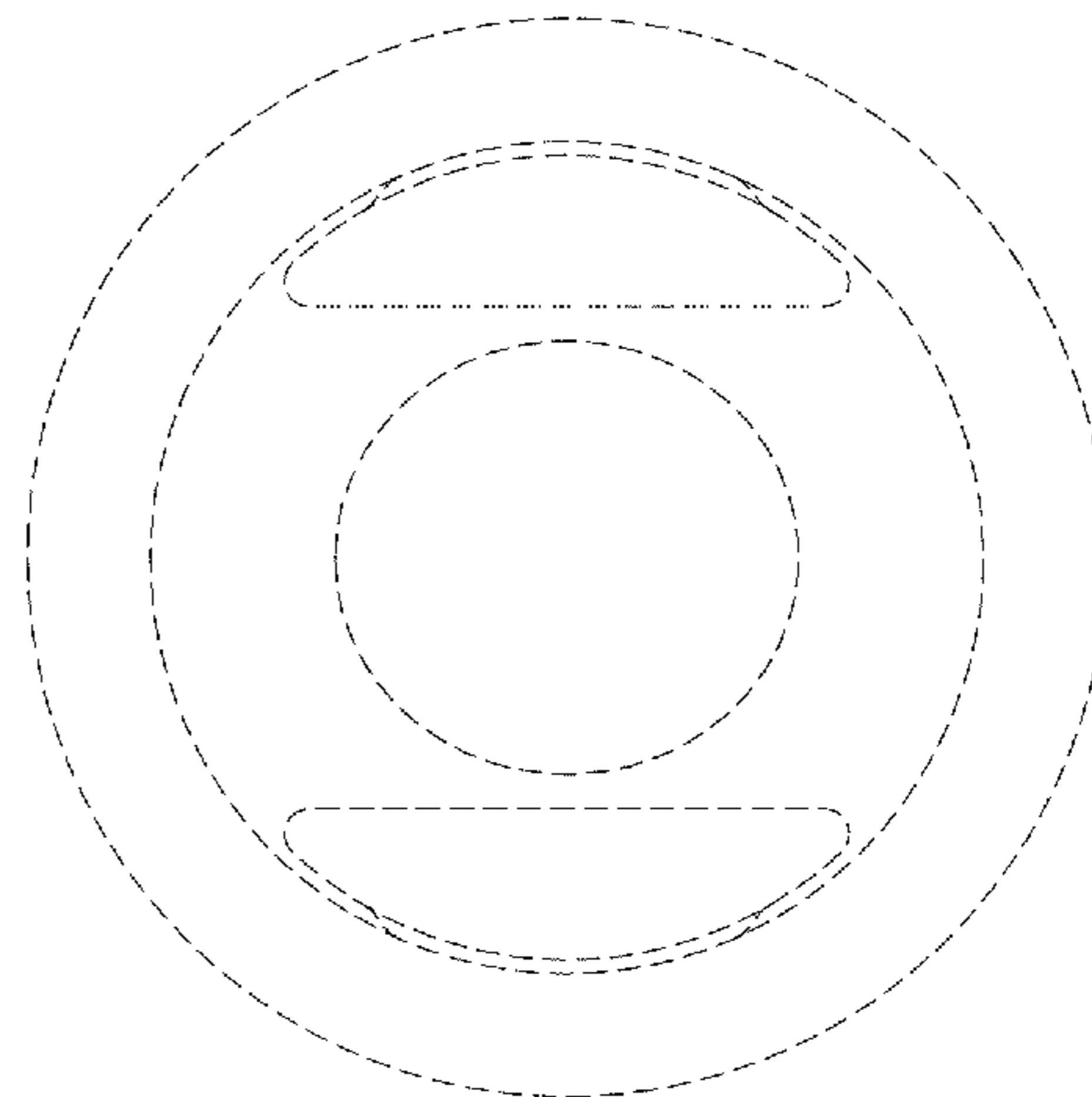
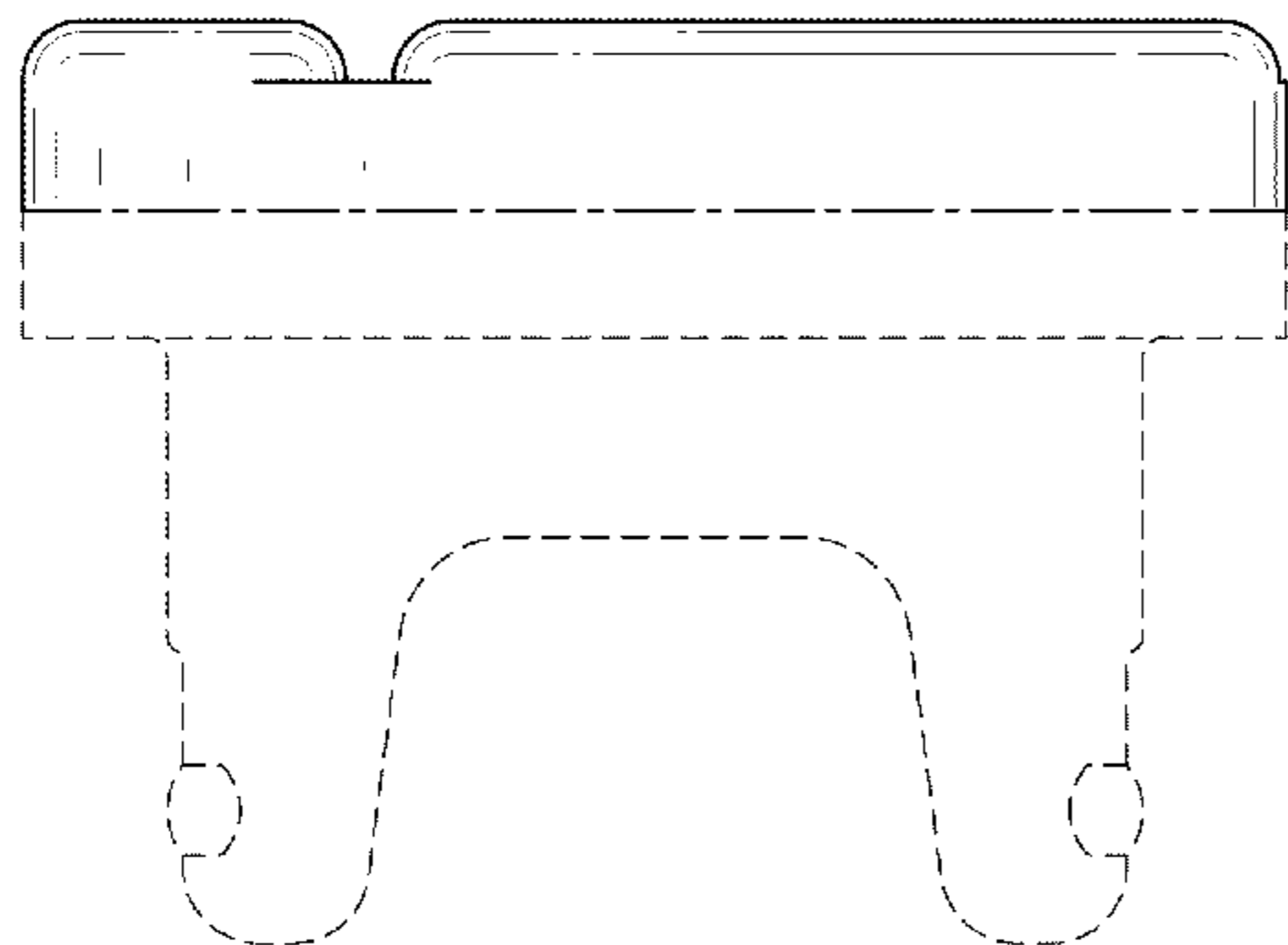
FIG. 12 is a left side view thereof;

FIG. 13 is a perspective view thereof; and,

FIG. 14 is a cross-sectional view thereof.

The right side view is a mirror image of the left side view. The  
broken lines immediately adjacent to the shaded areas repre-  
sent the bounds of the claim whereas all other broken lines  
identify environmental structure, all broken lines forming no  
part of the claimed design.

**1 Claim, 8 Drawing Sheets**



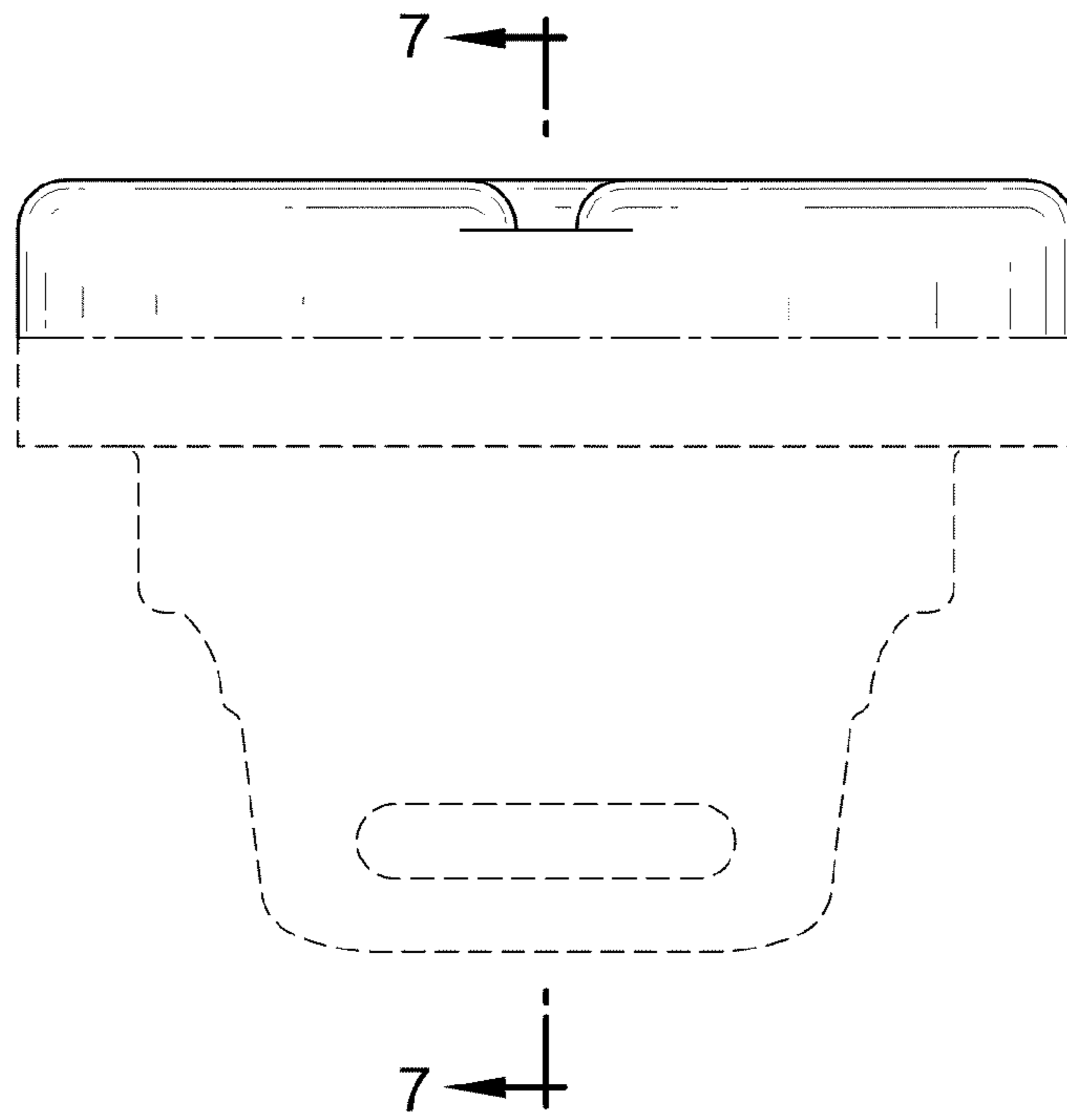


FIG.1

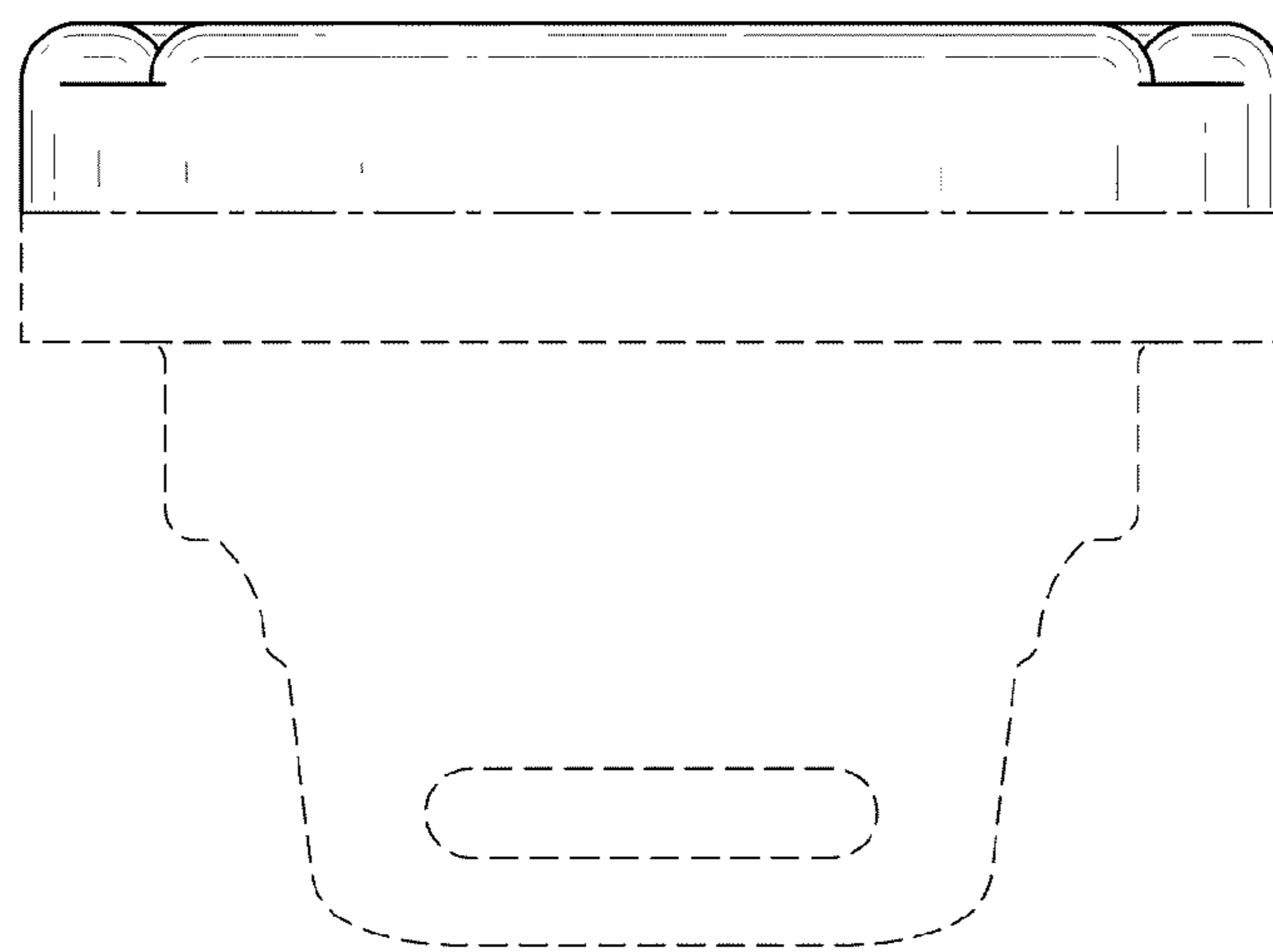


FIG.2

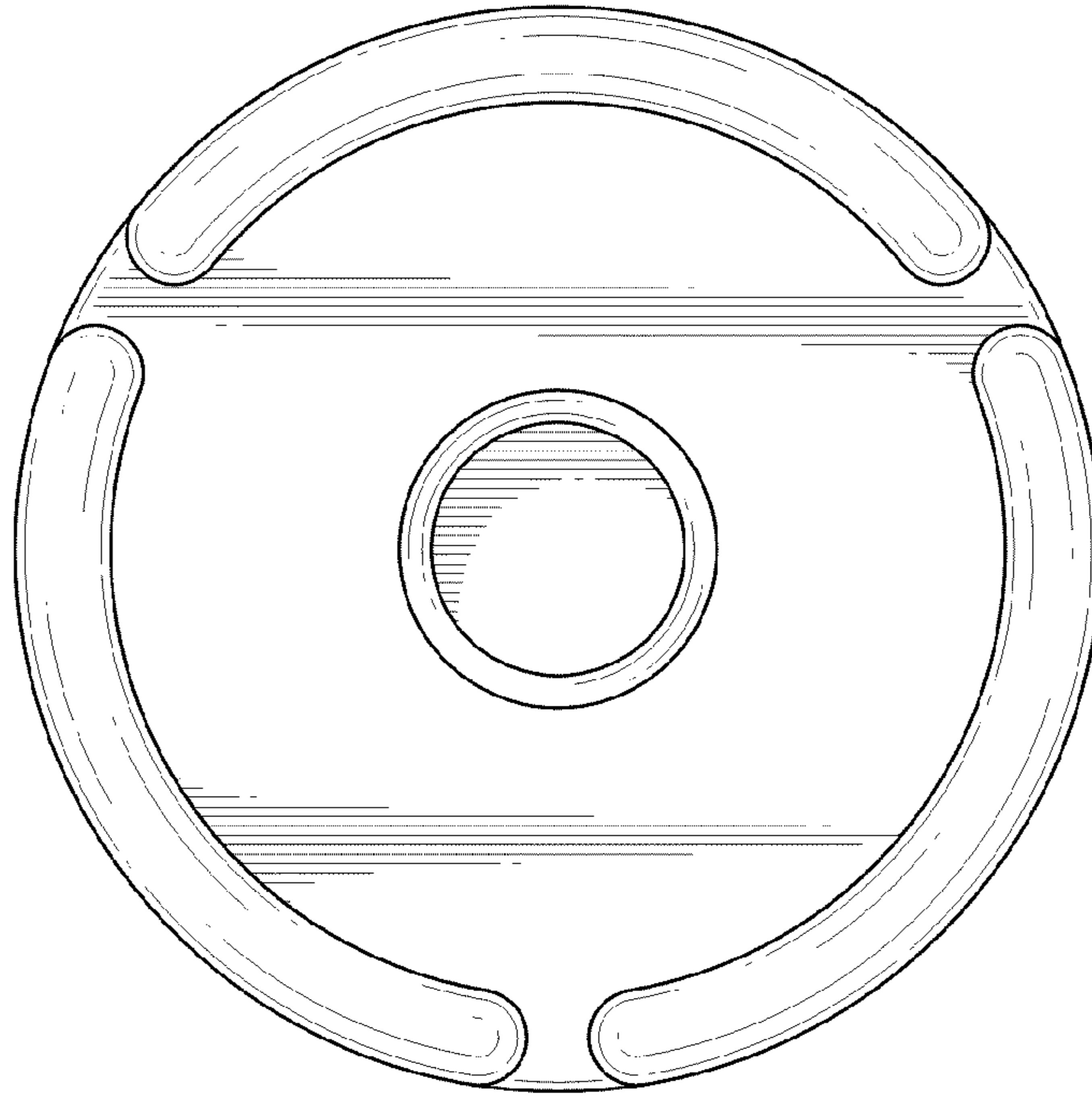


FIG. 3

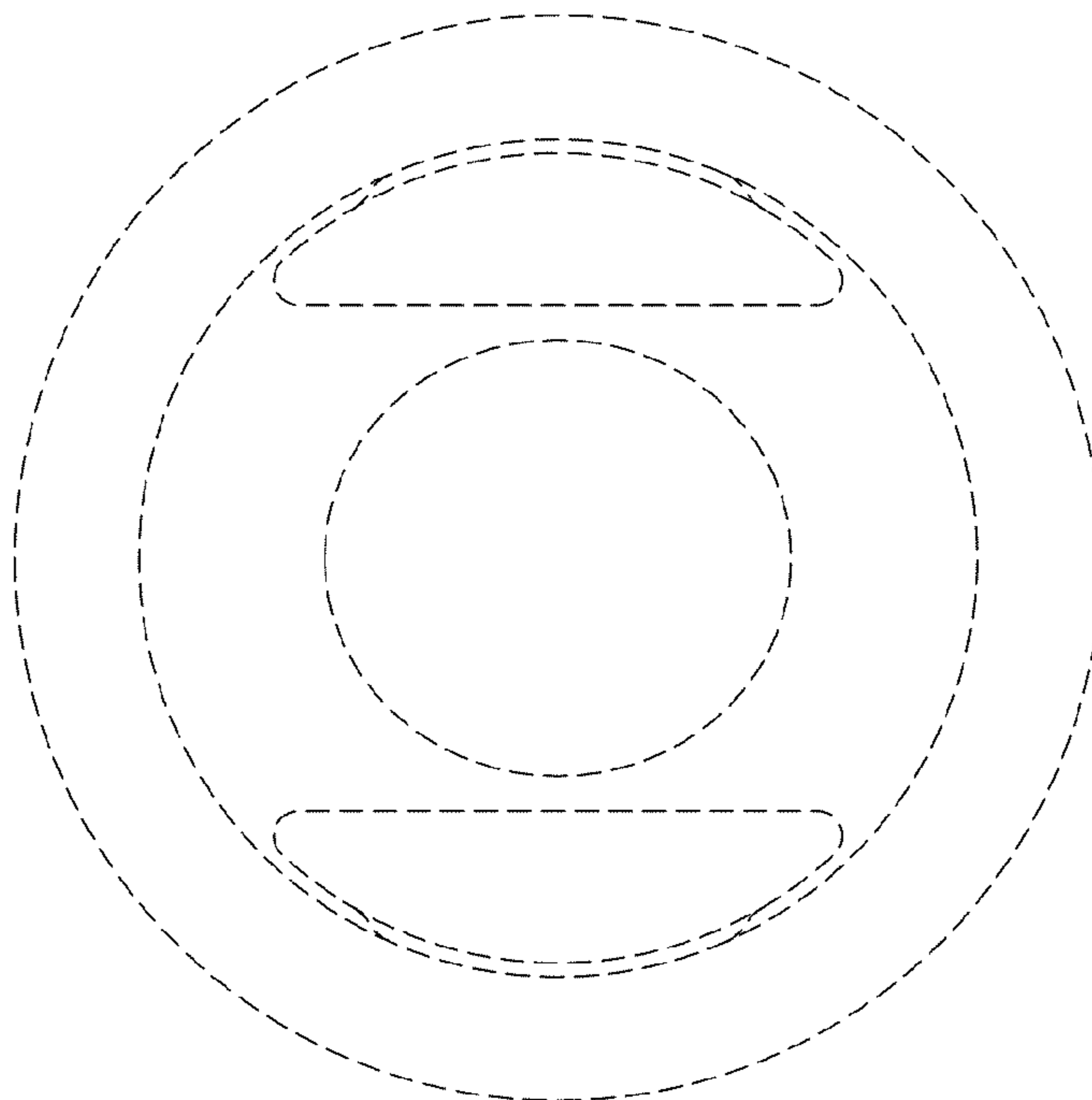


FIG. 4

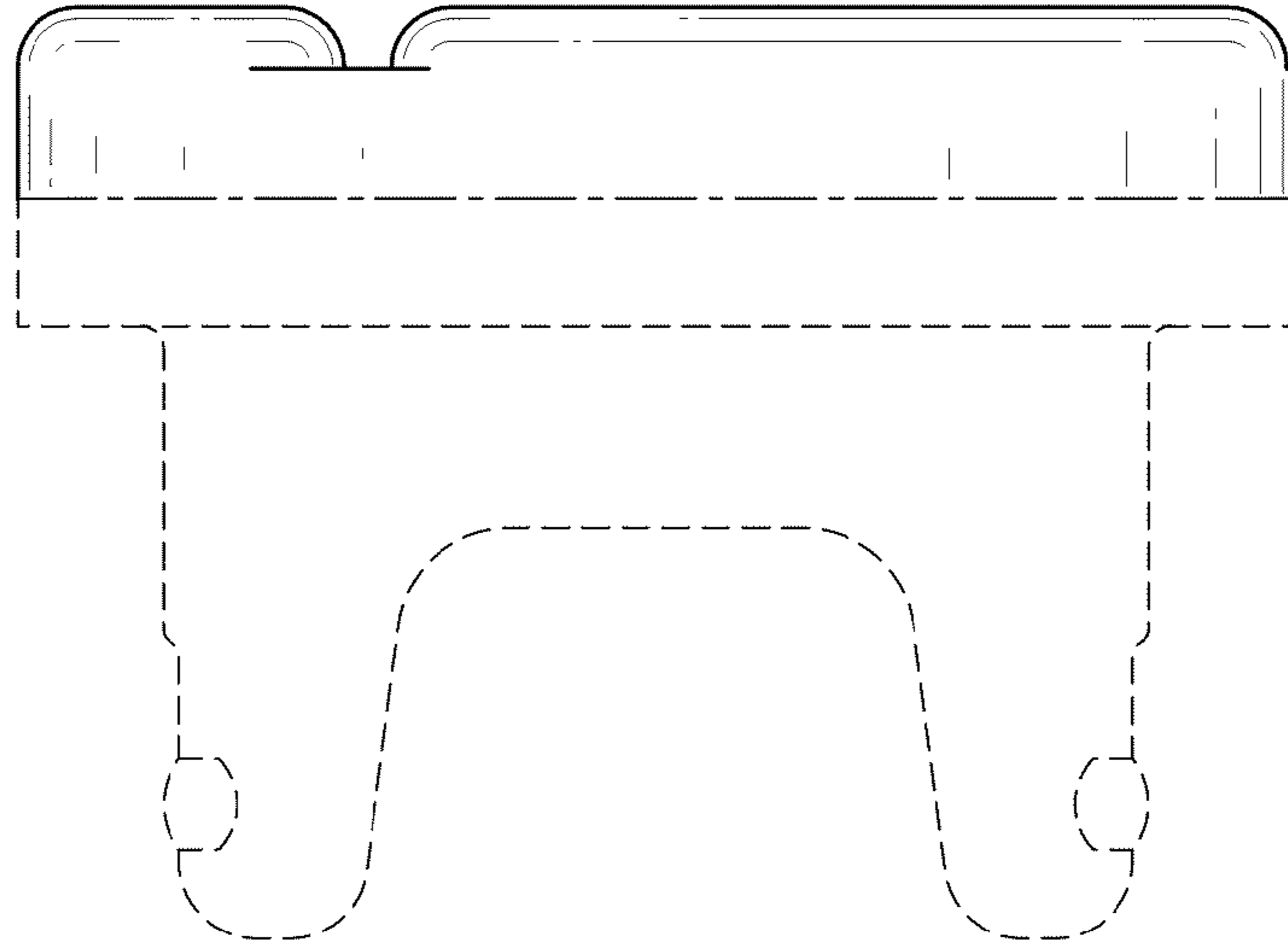


FIG. 5

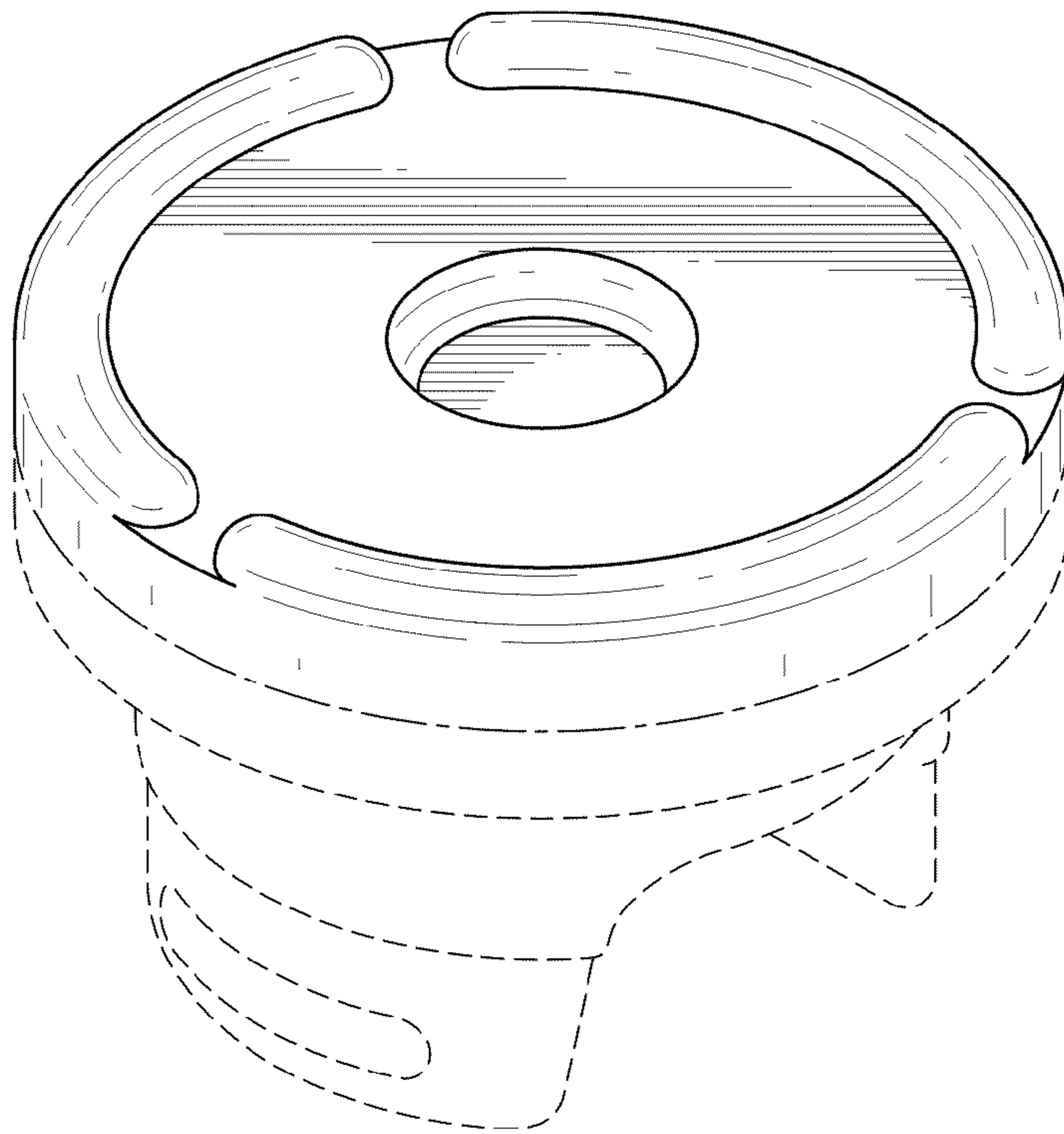


FIG. 6

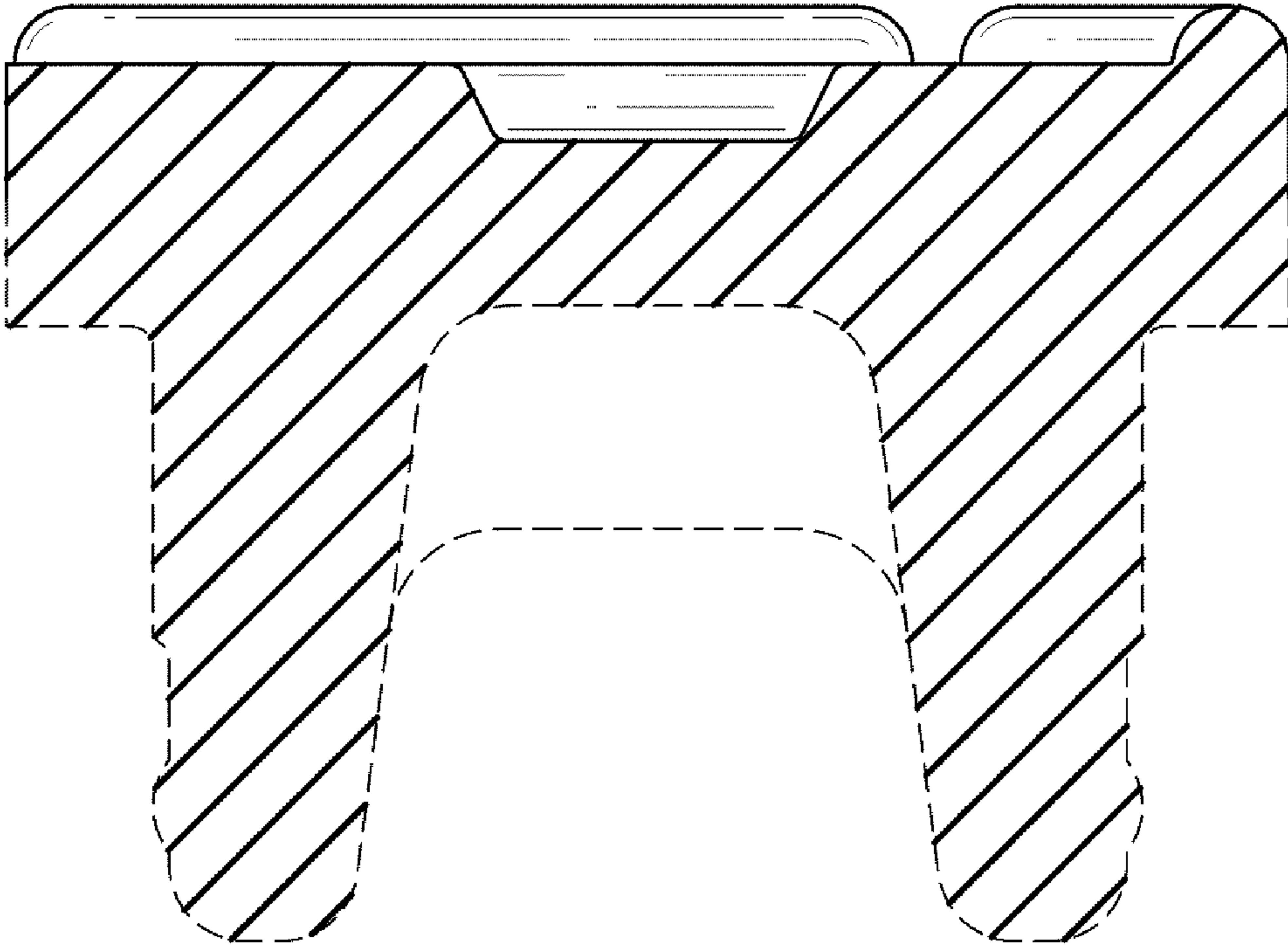


FIG. 7

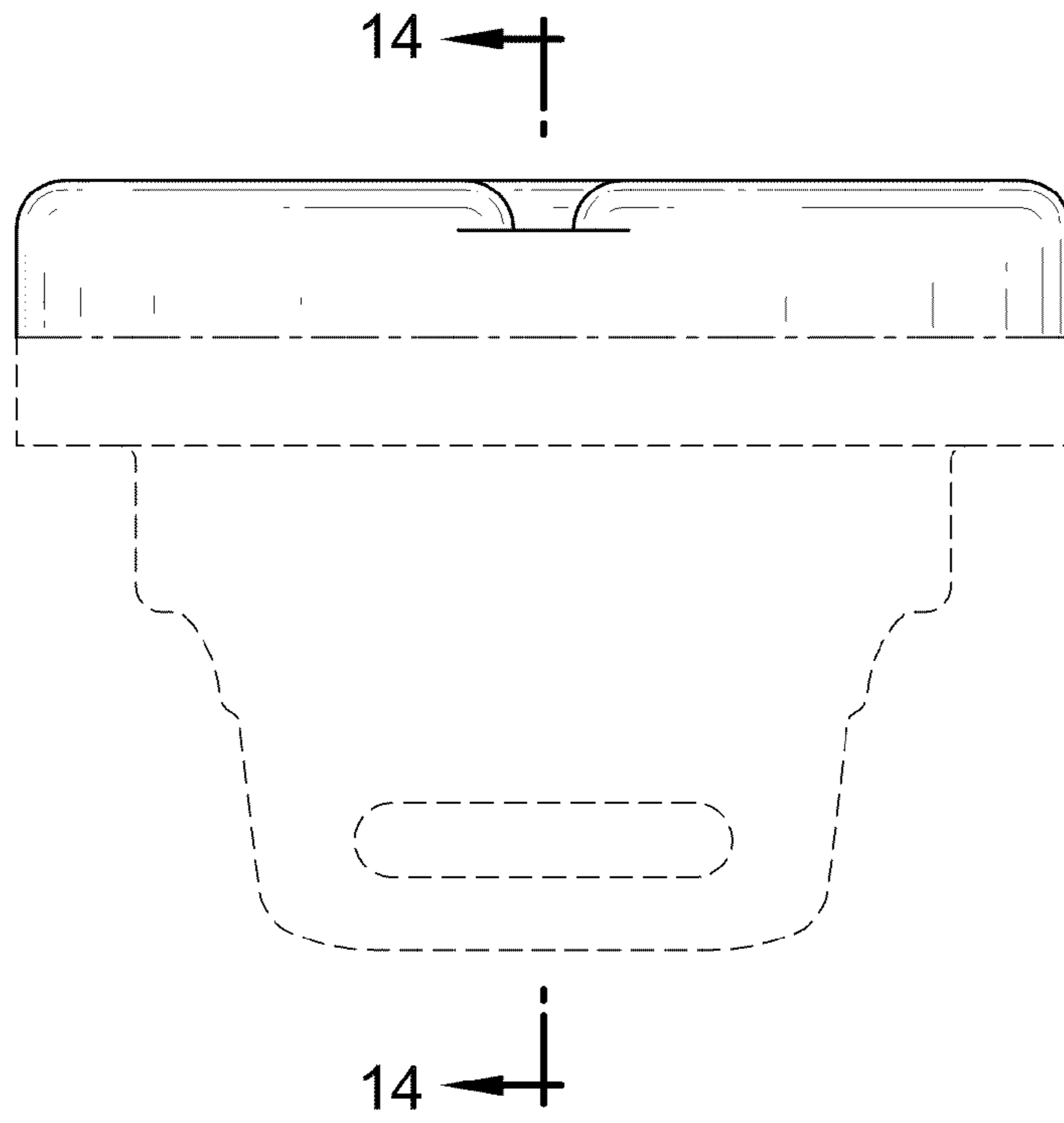


FIG. 8

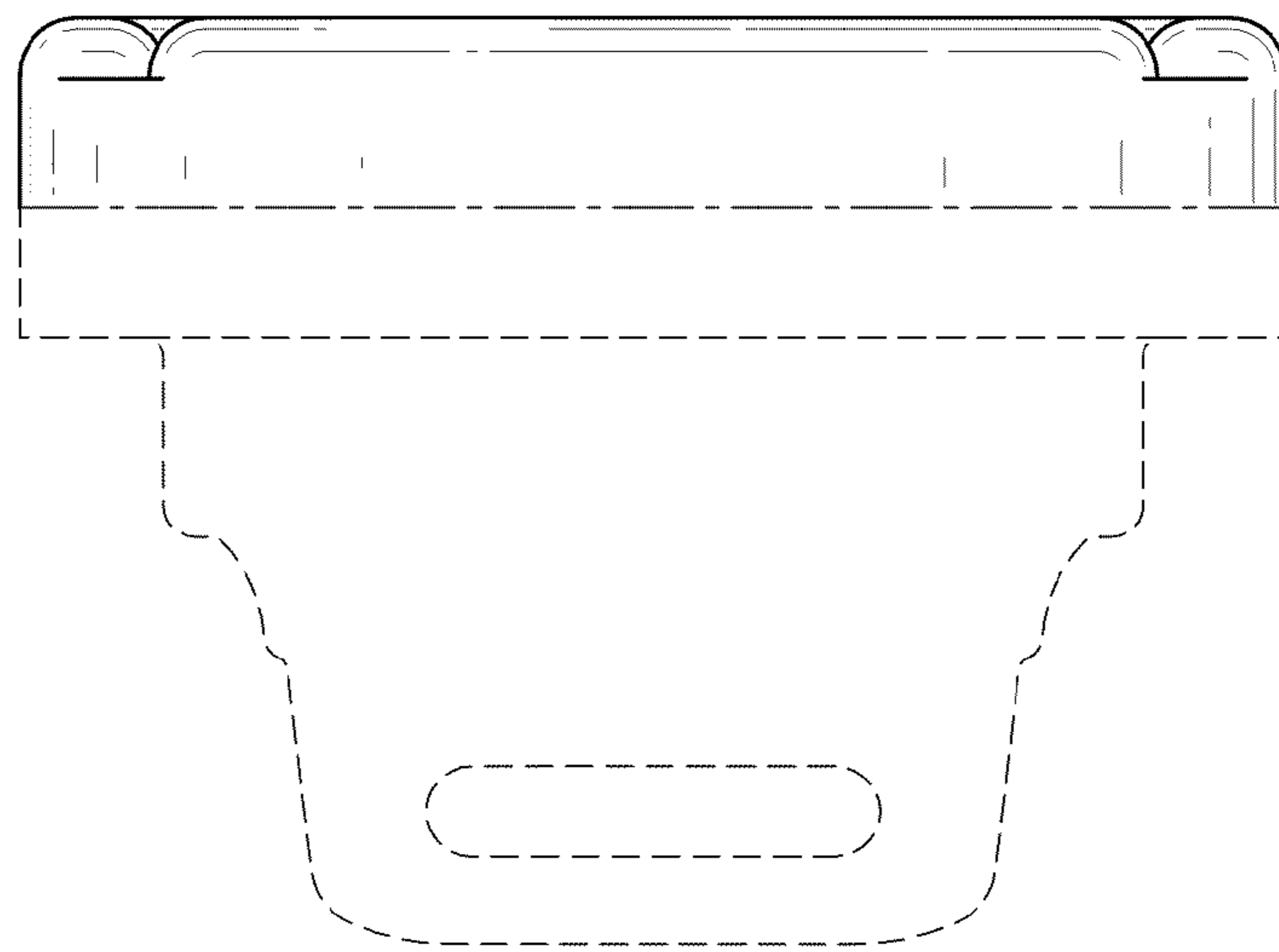


FIG. 9

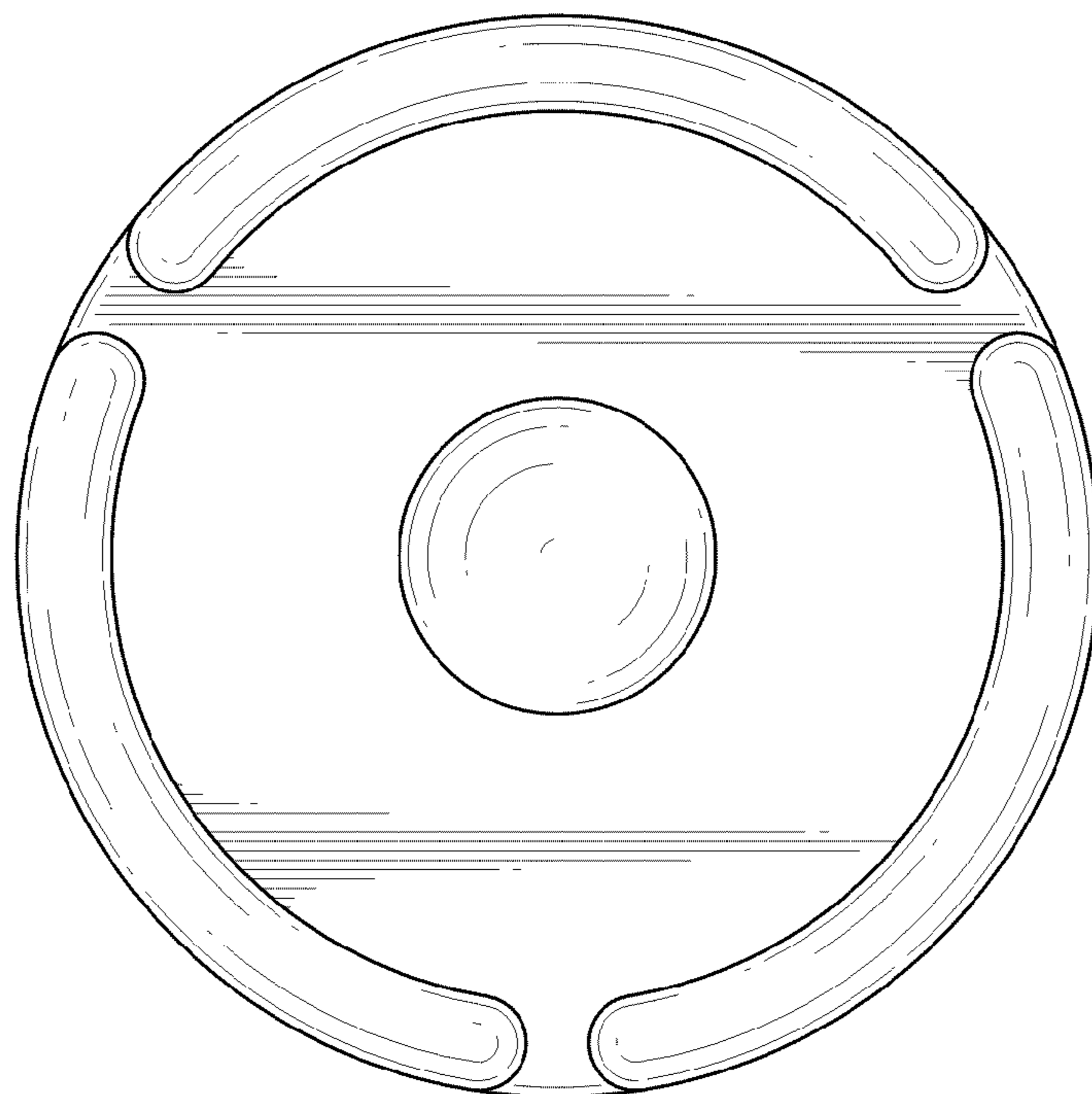


FIG. 10

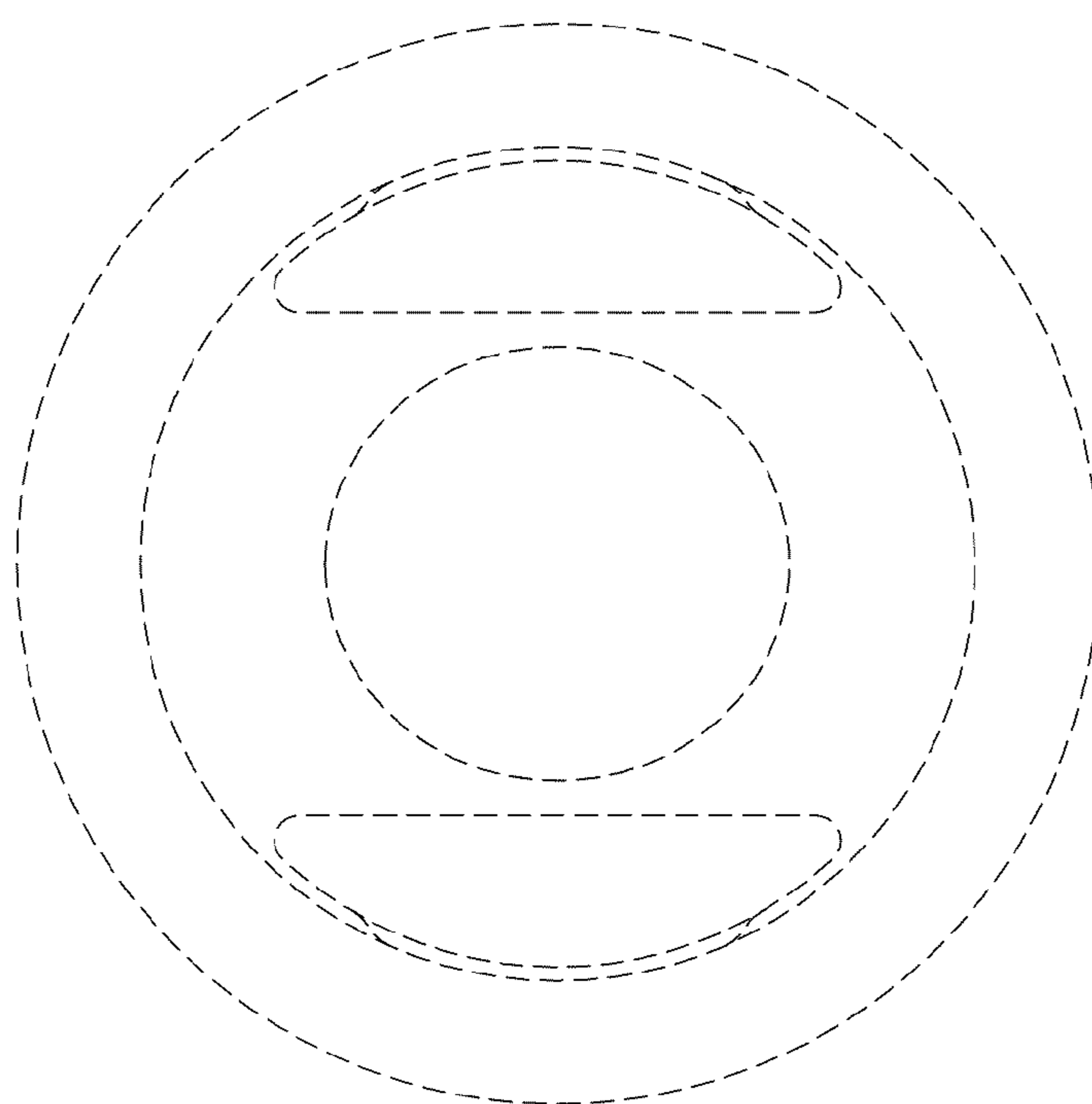


FIG. 11

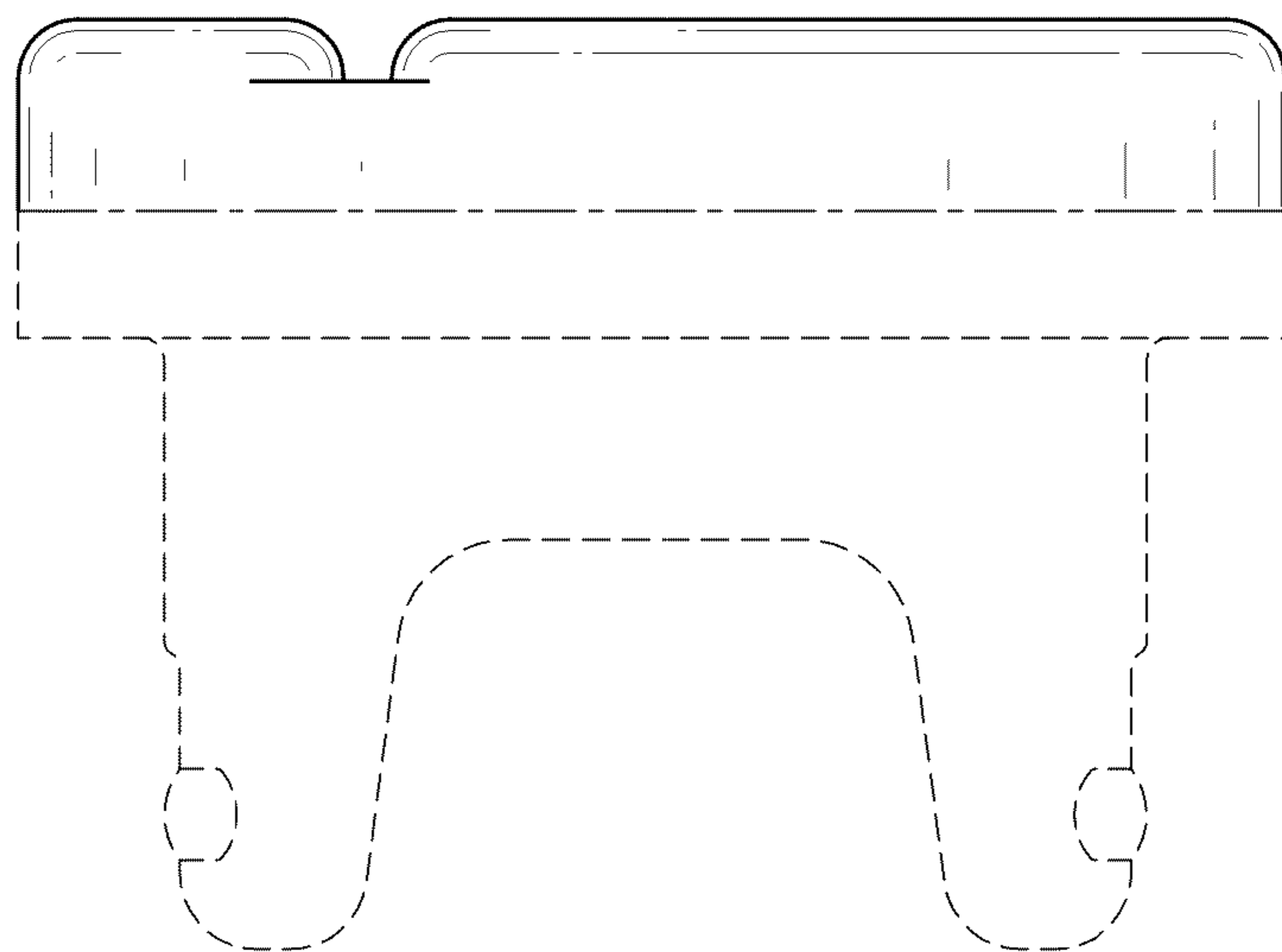


FIG. 12

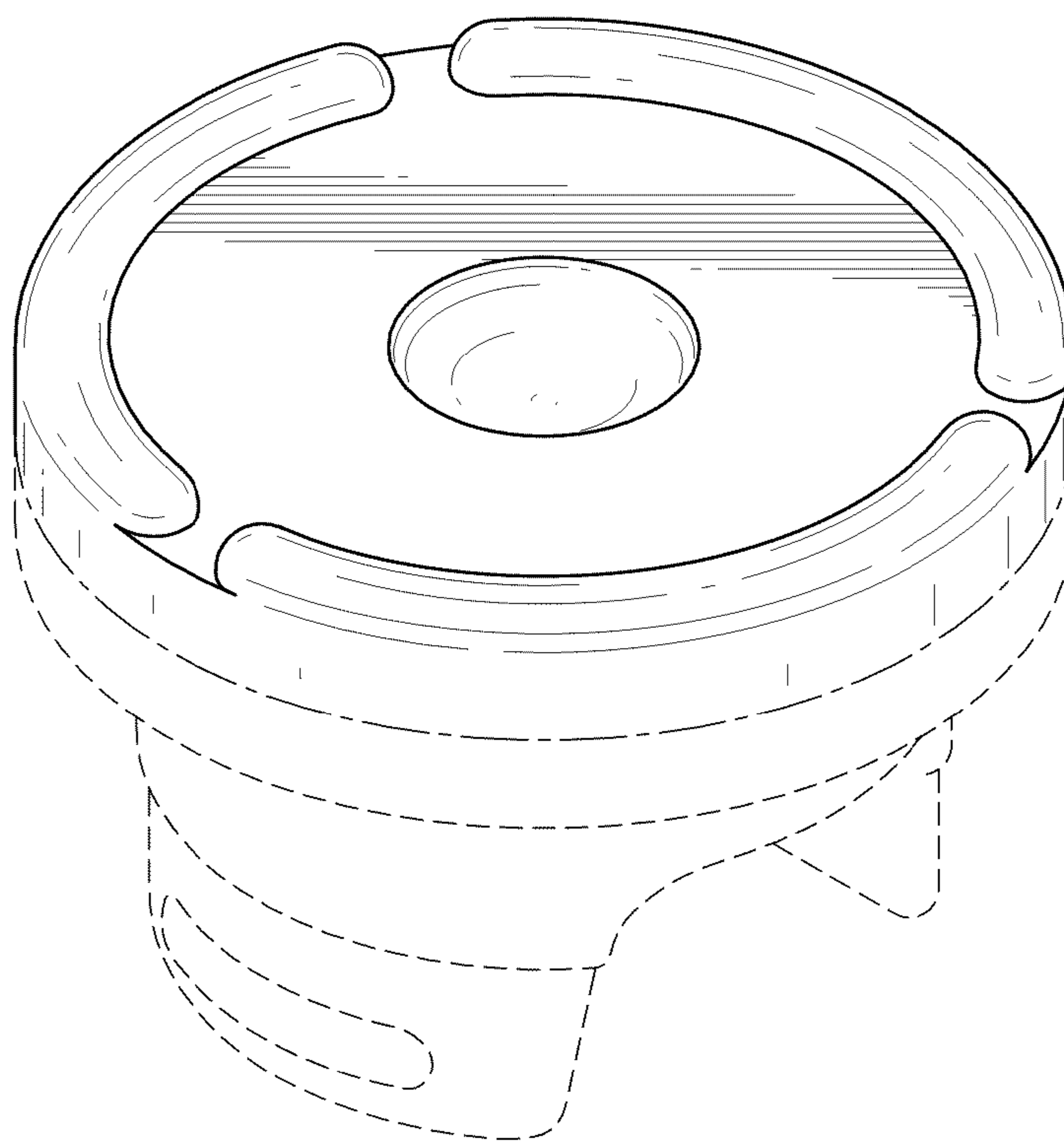


FIG. 13



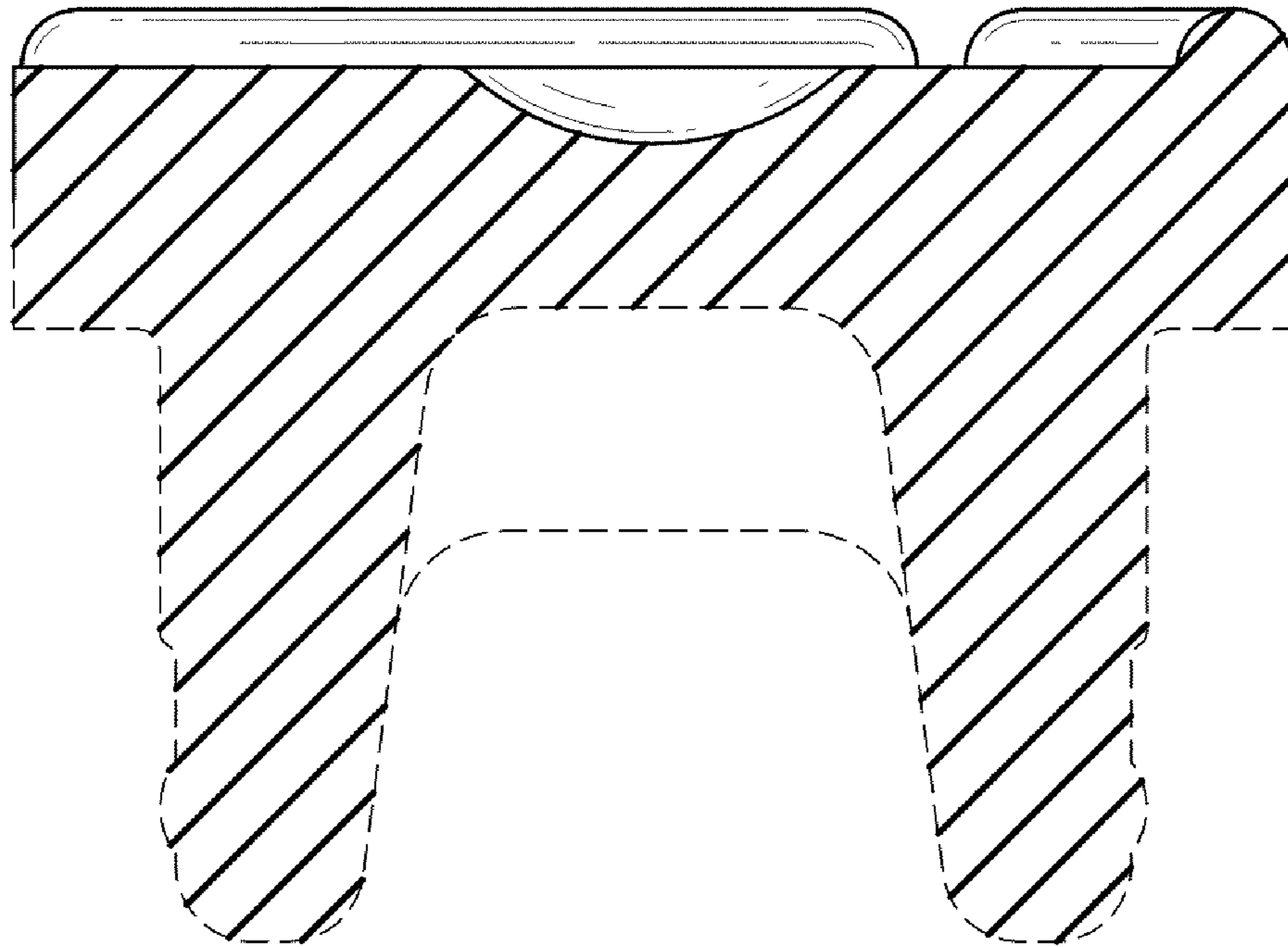


FIG.14