



US00D644103S

(12) **United States Design Patent**
Chatterton

(10) **Patent No.:** **US D644,103 S**

(45) **Date of Patent:** **** Aug. 30, 2011**

(54) **BOTTOM OF A PAN**

(75) Inventor: **Chadd R. Chatterton**, Kenosha, WI
(US)

(73) Assignee: **Pactiv Corporation**, Lake Forest, IL
(US)

(**) Term: **14 Years**

(21) Appl. No.: **29/360,429**

(22) Filed: **Apr. 26, 2010**

(51) **LOC (9) Cl.** **09-07**

(52) **U.S. Cl.** **D9/434; D9/424**

(58) **Field of Classification Search** D9/904,
D9/756, 435, 434, 425, 424; D7/553.6, 359;
D3/302, 204; 220/793, 782, 315, 270
See application file for complete search history.

(56) **References Cited**

U.S. PATENT DOCUMENTS

D237,679	S	*	11/1975	Backus	D7/553.6
D267,221	S	*	12/1982	Williams	D7/359
4,616,762	A	*	10/1986	Alexander	220/658
D321,809	S	*	11/1991	Zobrist	D7/359
5,641,090	A	*	6/1997	Kowalski et al.	220/782
5,878,656	A	*	3/1999	Fletcher et al.	99/340
D416,433	S	*	11/1999	Fletcher et al.	D7/359
D421,569	S	*	3/2000	Hayes et al.	D9/434
6,042,856	A		3/2000	Sagan		
6,065,629	A	*	5/2000	Sarnoff et al.	220/315
D428,777	S		8/2000	Hayes		
D429,965	S		8/2000	Hayes		
D432,858	S		10/2000	Hayes		
D432,914	S		10/2000	Hayes		
D433,334	S		11/2000	Hayes		
D439,048	S	*	3/2001	Sanderson	D3/302
6,237,803	B1	*	5/2001	Sarnoff et al.	220/743
D444,382	S		7/2001	Hayes		
D450,537	S		11/2001	Hayes		
D457,037	S		5/2002	Hayes		

D458,538	S		6/2002	Hayes et al.		
D461,123	S		8/2002	Hayes et al.		
D461,678	S		8/2002	Hayes		
D467,496	S		12/2002	Hayes et al.		
6,568,534	B2	*	5/2003	Zank	206/508
D478,282	S		8/2003	Hayes et al.		
6,619,501	B2		9/2003	Hayes		
6,644,494	B2		11/2003	Hayes		

(Continued)

OTHER PUBLICATIONS

U.S. Appl. No. 29/360,419, Dec. 27, 2010 Notice of Allowance.

(Continued)

Primary Examiner — Susan Bennett Hattan

(74) *Attorney, Agent, or Firm* — Baker Botts L.L.P.

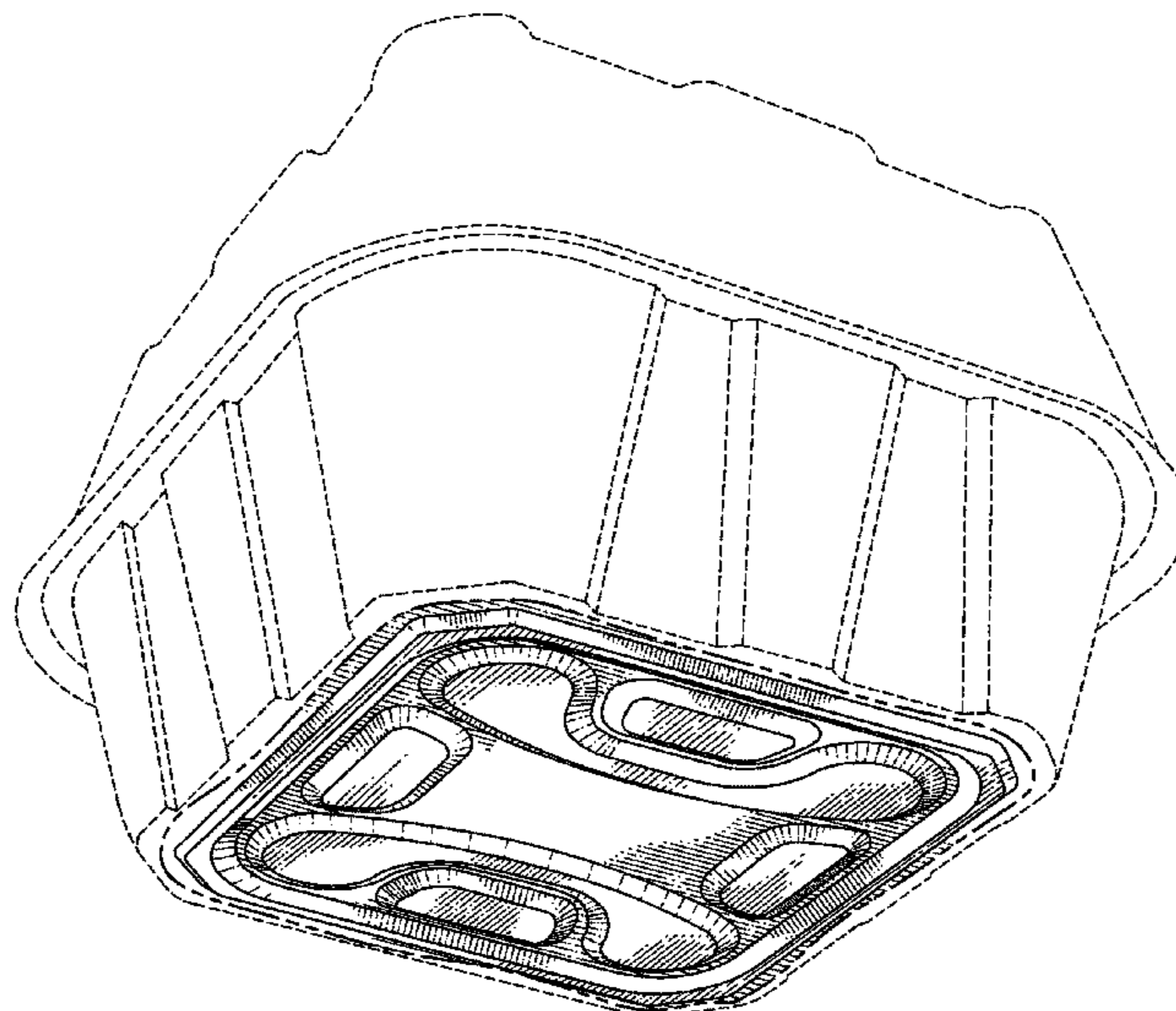
(57) **CLAIM**

The ornamental design for a bottom of a pan, as shown and described.

DESCRIPTION

FIG. 1 is a perspective view of a bottom of a pan of our design. FIG. 2 is a different perspective view of the bottom of the pan of FIG. 1; FIG. 3 is a bottom view of the bottom of the pan of FIG. 1; FIG. 4 is a top view of the bottom of the pan of FIG. 1; FIG. 5 is a side elevation view of the pan of FIG. 1; FIG. 6 is an enlarged scale cross-sectional view of the bottom of the pan of FIG. 3 taken at the line 6—6; and, FIG. 7 is an enlarged scale cross-sectional view of the bottom of the pan of FIG. 3 taken at the line 7—7; The broken lines shown throughout these figures depict environmental subject matter only and form no part of the claimed design. The enlarged scale cross-sectional views of FIGS. 6 and 7 are provided for the purpose of illustrating the structure of the bottom of the pan and form no part of the claimed design.

1 Claim, 6 Drawing Sheets



US D644,103 S

Page 2

U.S. PATENT DOCUMENTS

D490,309 S 5/2004 Hayes et al.
6,845,878 B2 1/2005 Hayes
6,886,704 B2 5/2005 Hayes
D508,819 S 8/2005 Mangla
D514,880 S 2/2006 Hayes et al.
D520,303 S 5/2006 Hayes et al.
D523,287 S 6/2006 Hayes et al.
D525,083 S 7/2006 Hayes
D525,487 S 7/2006 Hayes
D525,832 S 8/2006 Hayes
D543,350 S * 5/2007 Sanderson D3/204
D545,134 S 6/2007 Hayes
7,228,986 B2 6/2007 Hayes
D545,631 S 7/2007 Hayes

D546,621 S 7/2007 Hayes
D546,629 S 7/2007 Hayes
D547,616 S 7/2007 Hayes
D549,050 S 8/2007 Spencer
D551,911 S 10/2007 Hayes
D552,424 S 10/2007 Hayes
D552,425 S 10/2007 Hayes
D561,990 S * 2/2008 Berg et al. D3/204
7,337,917 B2 * 3/2008 Kortleven 220/793
D606,395 S * 12/2009 Franczyk et al. D9/756

OTHER PUBLICATIONS

U.S. Appl. No. 29/360,419, Mar. 25, 2011 Paid Issue Fee.

* cited by examiner

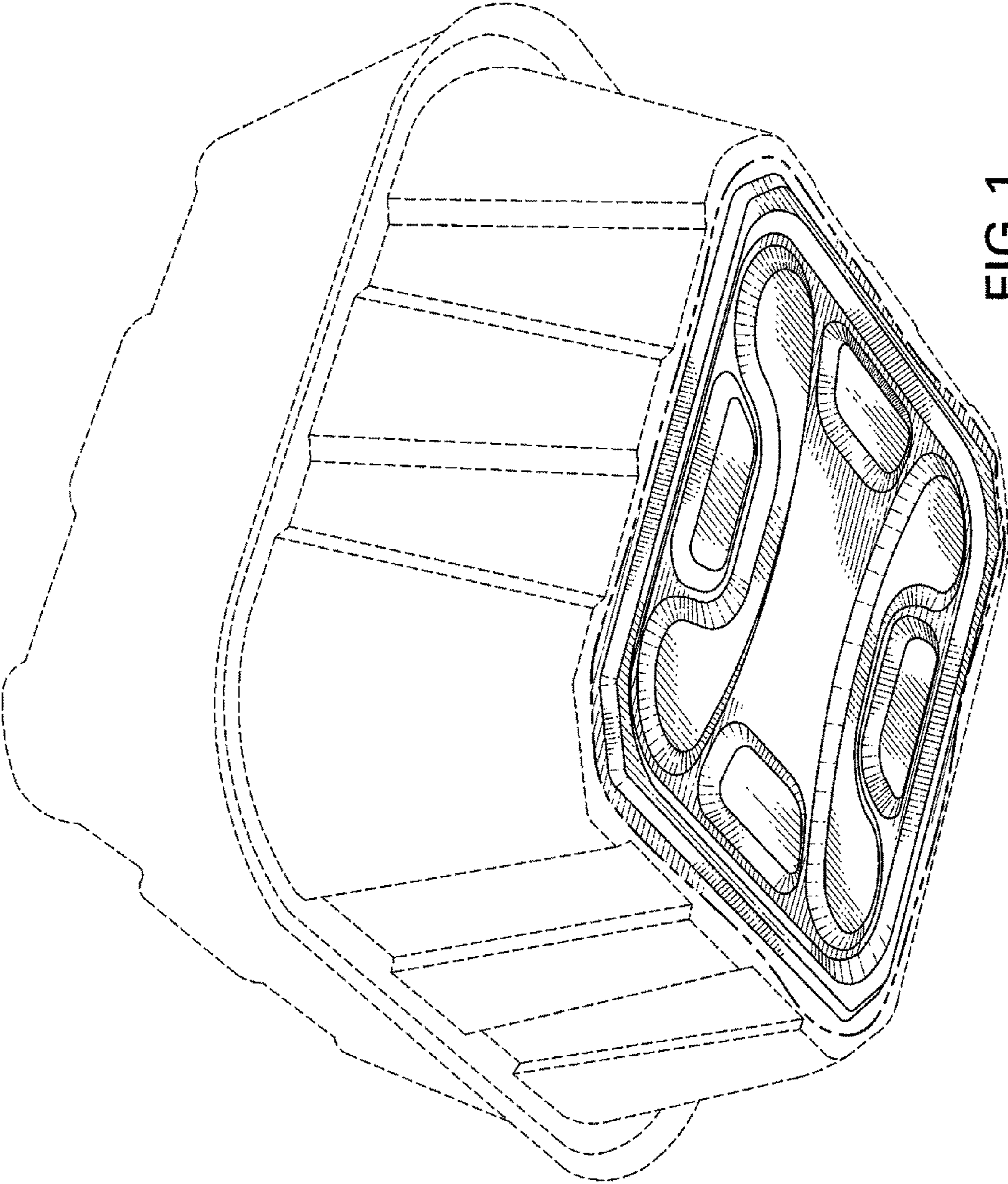


FIG. 1

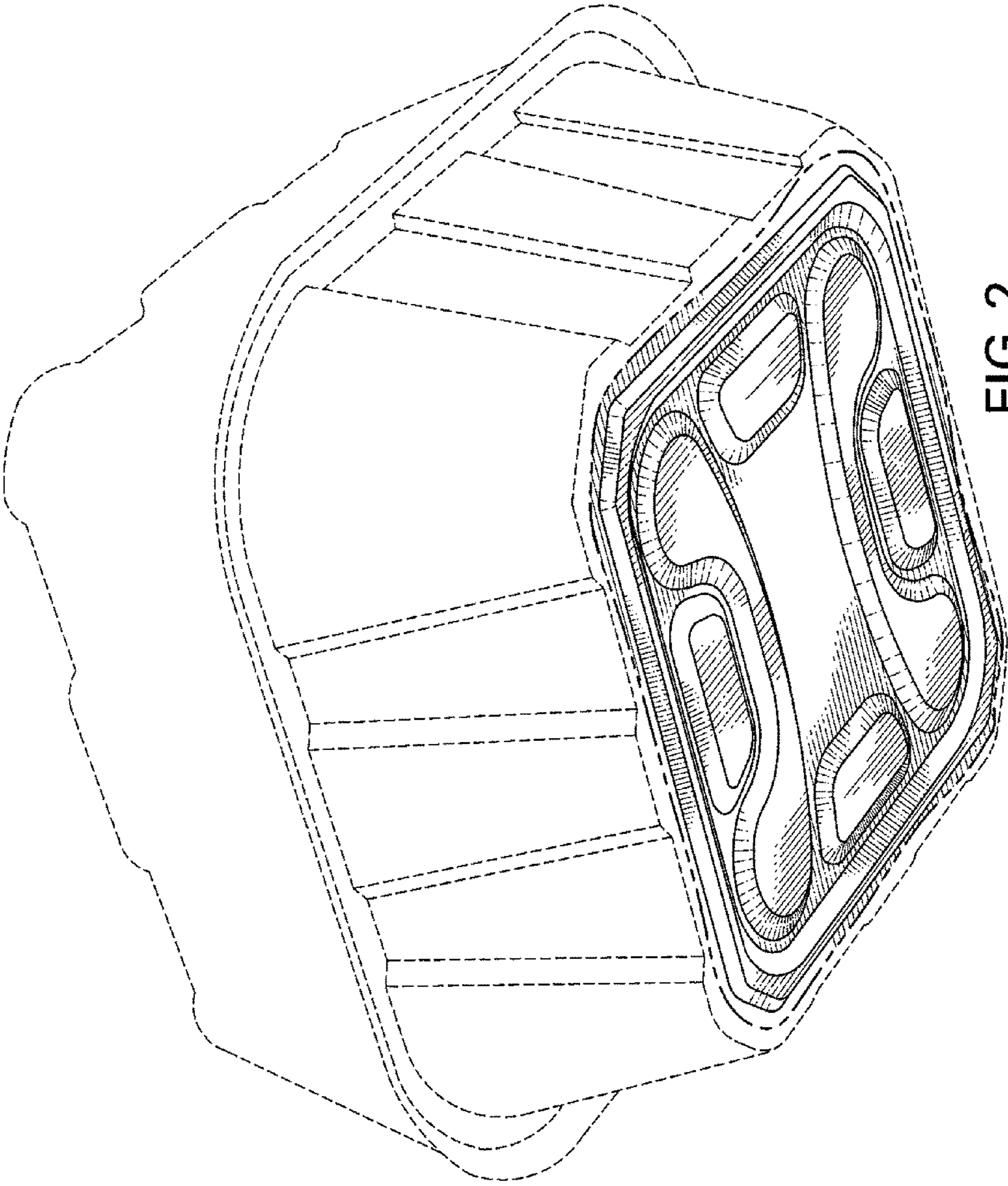
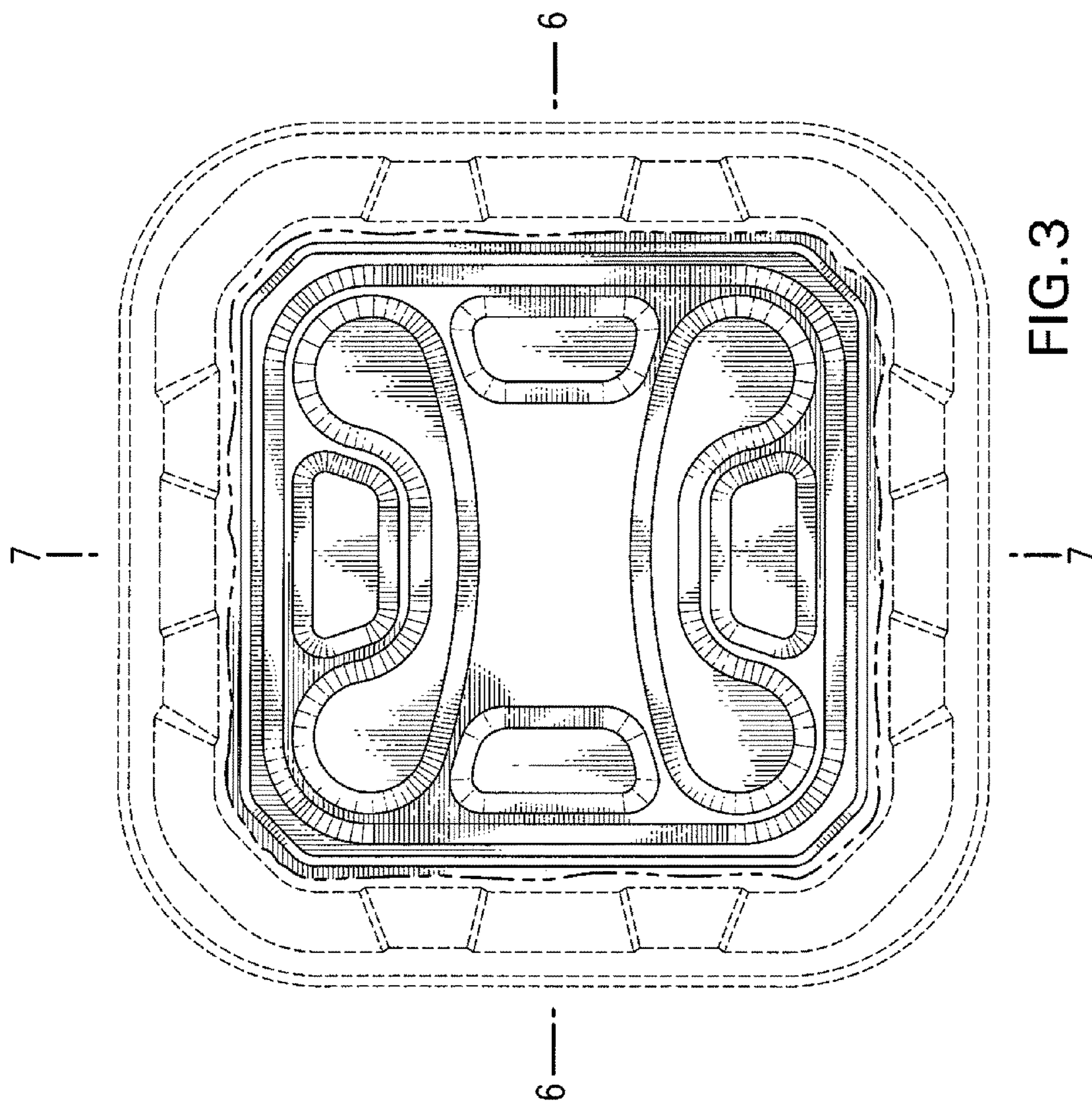


FIG. 2



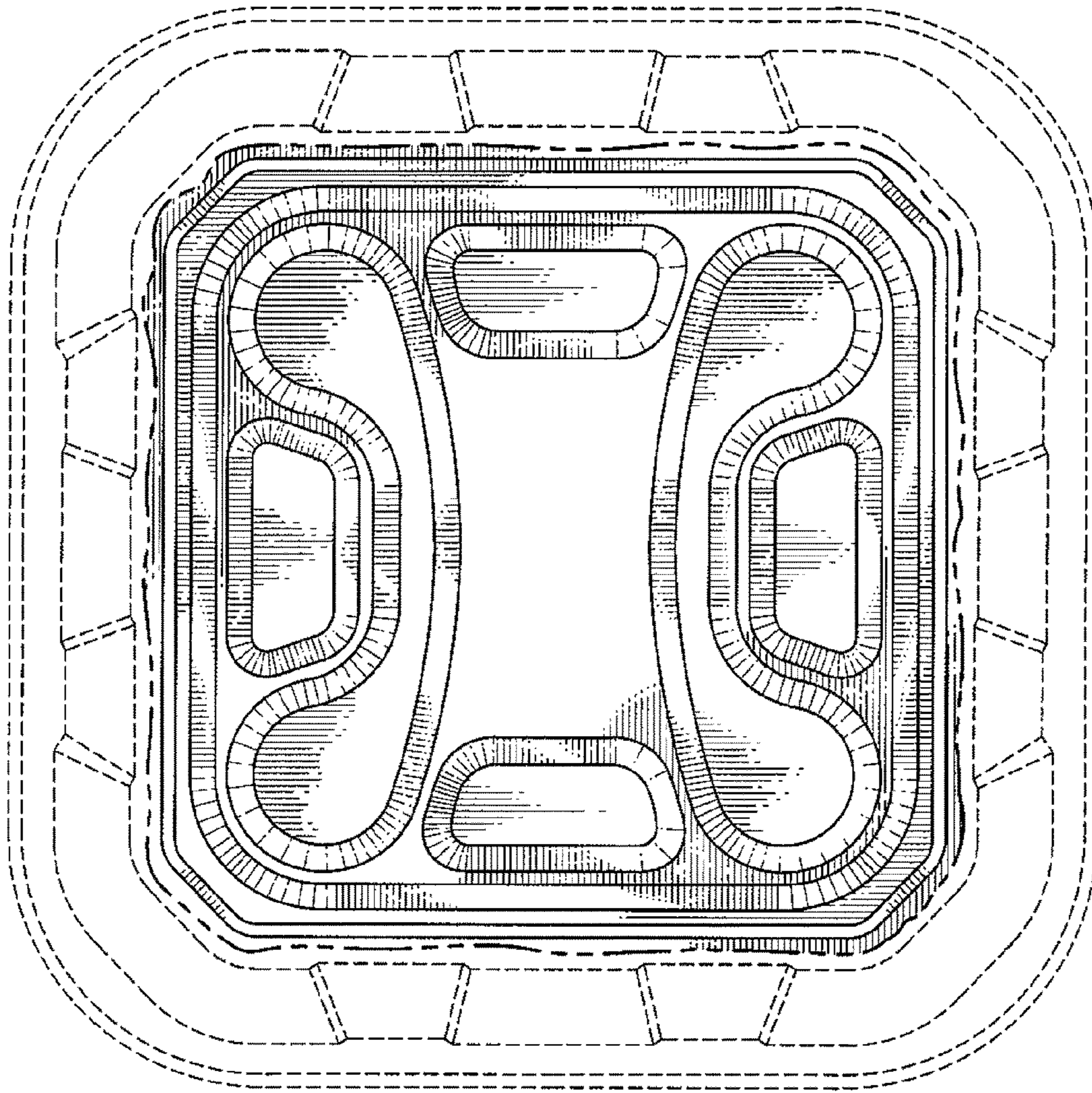


FIG. 4

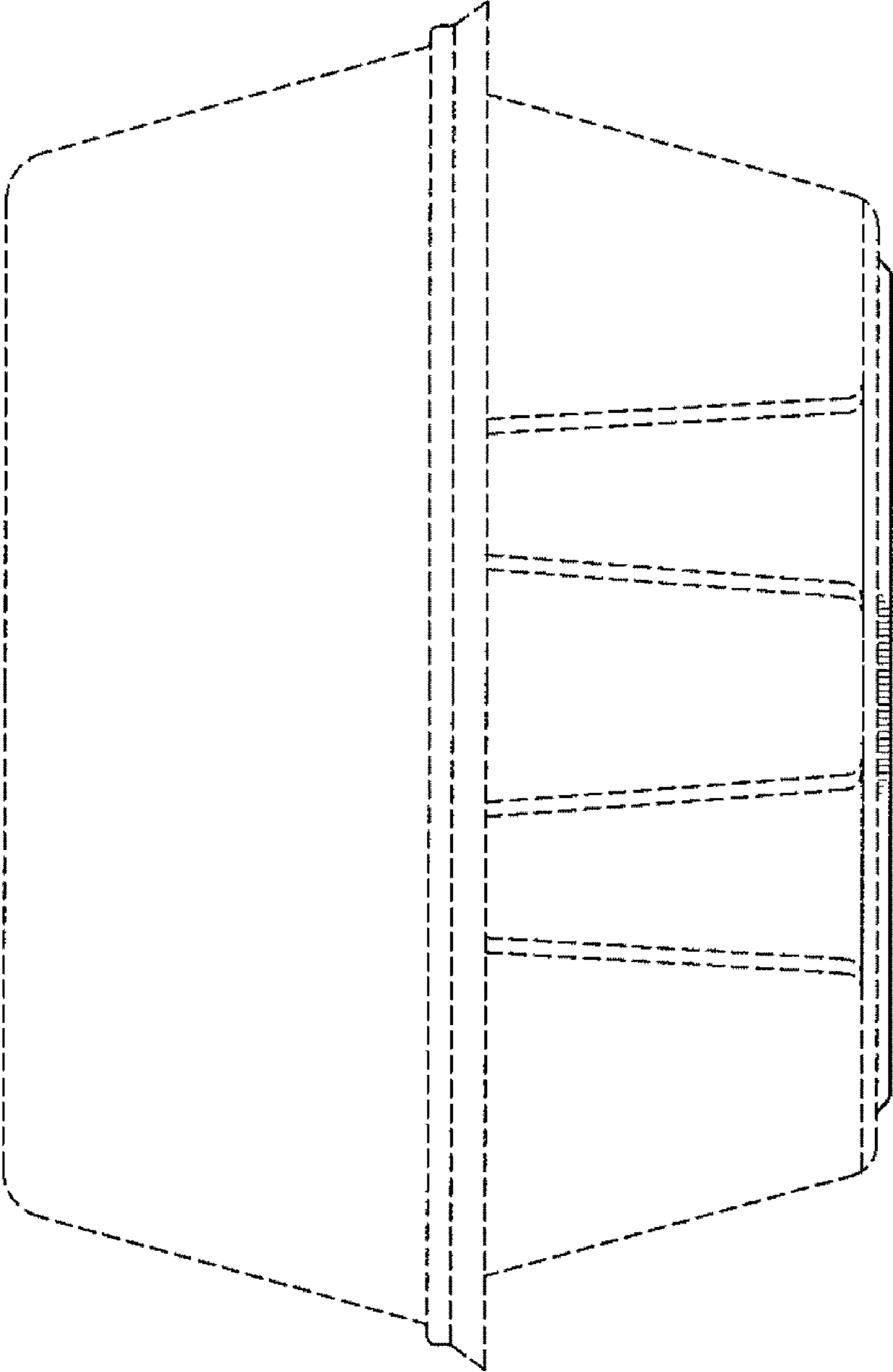


FIG. 5

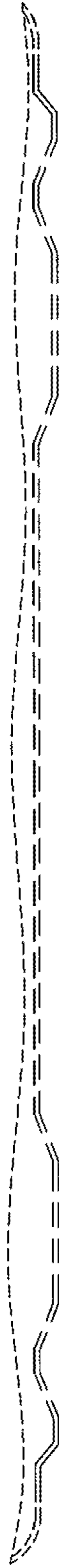


FIG. 6

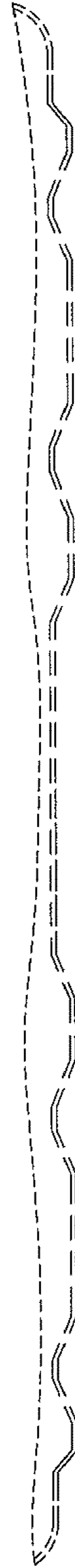


FIG. 7