



US00D644102S

(12) **United States Design Patent**
Kopulos et al.

(10) **Patent No.:** **US D644,102 S**

(45) **Date of Patent:** **** Aug. 30, 2011**

(54) **LABEL**

(75) Inventors: **Christopher Robert Kopulos**,
Cincinnati, OH (US); **Brian David**
Andres, Harrison, OH (US)

(73) Assignee: **The Procter & Gamble Company**,
Cincinnati, OH (US)

(**) Term: **14 Years**

(21) Appl. No.: **29/354,867**

(22) Filed: **Jan. 29, 2010**

(51) **LOC (9) Cl.** **09-07**

(52) **U.S. Cl.** **D9/434**

(58) **Field of Classification Search** D9/682,
D9/600, 457, 454, 441, 434, 432, 430, 415,
D9/414, 418, 704, 552, 551, 669, 750; D11/95;
D5/56; D20/40, 36, 28, 27, 26, 22, 11; D14/492,
D14/489, 486; 715/976, 840, 764, 715; 229/923,
229/922, 87.19, 116.5, 116.1, 100; 220/694,
220/376

See application file for complete search history.

(56) **References Cited**

U.S. PATENT DOCUMENTS

D254,714 S	4/1980	Mascia et al.	
D254,716 S	4/1980	Mascia et al.	
D259,471 S *	6/1981	Grodin	D9/432
D259,860 S *	7/1981	Grodin	D9/432
D281,673 S	12/1985	Lampe	
D306,406 S	3/1990	Pierce et al.	
D319,581 S	9/1991	Halm	
D319,583 S	9/1991	Halm et al.	
D370,834 S	6/1996	Hartman	
D462,270 S	9/2002	Renz	
D473,142 S	4/2003	Beaver	
D475,288 S	6/2003	Hoffmann et al.	
D507,184 S	7/2005	Beaver et al.	
D550,077 S	9/2007	Lagreca et al.	

D556,572 S *	12/2007	Mongeon et al.	D9/432
D560,488 S	1/2008	Rust et al.	
D568,739 S	5/2008	Darr	
D572,535 S	7/2008	El-Ghouyel et al.	
D576,883 S	9/2008	Carapelli	
D581,288 S	11/2008	Villalobos	
D584,154 S	1/2009	Fitzsimmons et al.	
D585,303 S	1/2009	Fitzsimmons et al.	
D586,222 S	2/2009	Little et al.	

(Continued)

FOREIGN PATENT DOCUMENTS

CA 101564 3/2004

(Continued)

OTHER PUBLICATIONS

U.S. Appl. No. 29/375,244, filed Sep. 20, 2010, Kopulos, et al.

(Continued)

Primary Examiner — Susan Bennett Hattan

(74) *Attorney, Agent, or Firm* — Julie A. McConihay;
Leonard W. Lewis; Steven W. Miller

(57) **CLAIM**

The ornamental design for a label, as shown and described.

DESCRIPTION

FIG. 1 is a top perspective view of a label embodying our new design;

FIG. 2 is a front perspective view of the label;

FIG. 3 is a back view of the label;

FIG. 4 is a left view of the label;

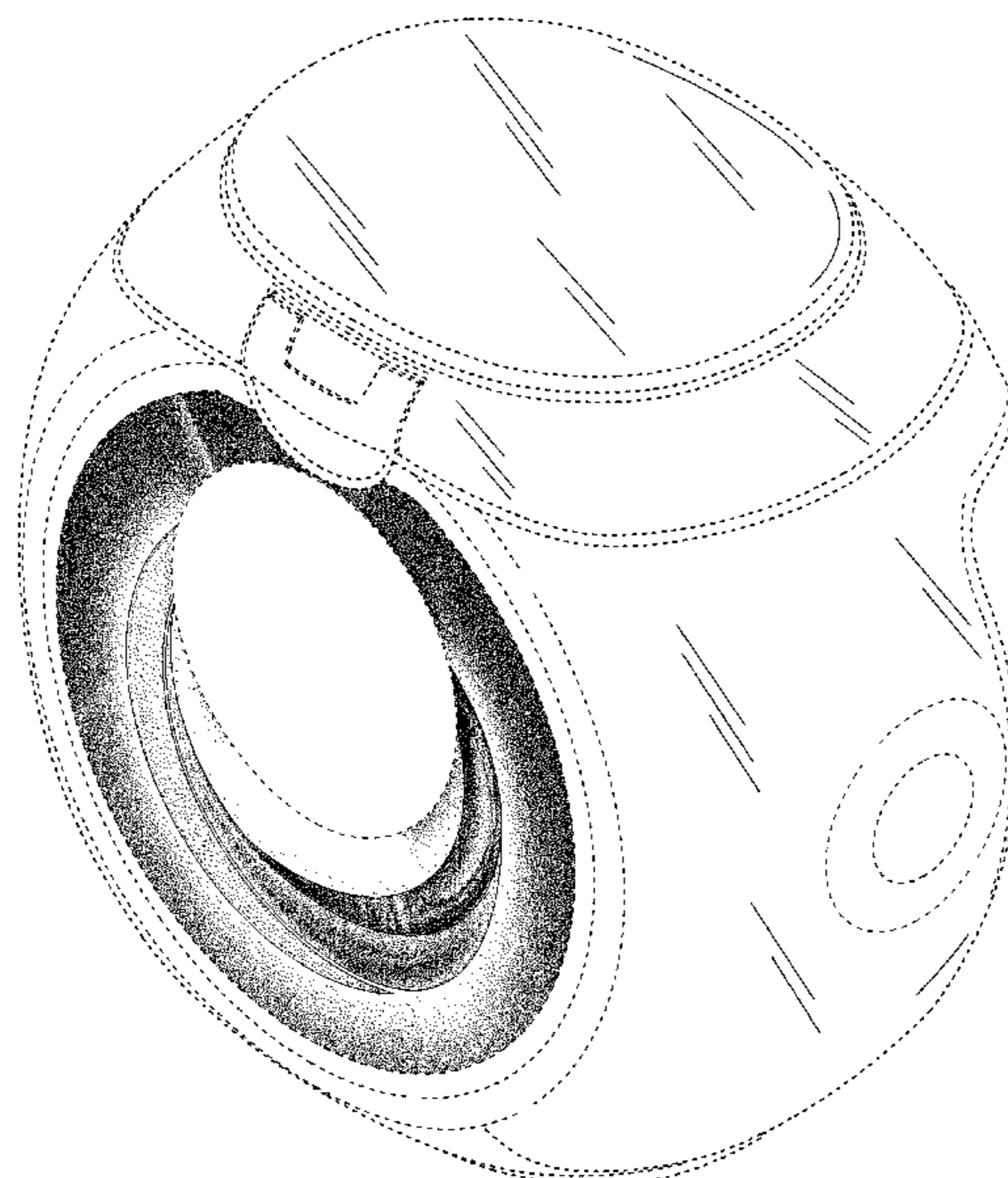
FIG. 5 is a right view of the label;

FIG. 6 is a top view of the label; and,

FIG. 7 is a bottom view of the label.

The broken lines in the drawings depict environmental subject matter only and form no part of the claimed design.

1 Claim, 5 Drawing Sheets



US D644,102 S

Page 2

U.S. PATENT DOCUMENTS

D586,223	S	2/2009	Little et al.	
D587,111	S *	2/2009	Seol et al.	D9/432
D588,088	S	3/2009	Mitchell	
D590,250	S *	4/2009	Seol	D9/432
D590,251	S *	4/2009	Seol et al.	D9/432
D590,252	S *	4/2009	Seol et al.	D9/432
D590,253	S *	4/2009	Seol et al.	D9/432
D592,064	S	5/2009	Kilany	
D599,201	S *	9/2009	Seol et al.	D9/432
D600,548	S *	9/2009	Seol et al.	D9/432
D603,701	S *	11/2009	Seol et al.	D9/432
D608,636	S *	1/2010	Seol	D9/432
D637,200	S *	5/2011	Fletcher et al.	D14/489

FOREIGN PATENT DOCUMENTS

CA 119729 2/2008

OTHER PUBLICATIONS

U.S. Appl. No. 29/375,263, filed Sep. 20, 2010, Kopulos, et al.
U.S. Appl. No. 29/375,265, filed Sep. 20, 2010, Gonzalez, et al.
U.S. Appl. No. 29/375,274, filed Sep. 20, 2010, Gonzalez, et al.
U.S. Appl. No. 29/341,567, filed Aug. 7, 2009, Chris Van den
Wouwer et al.
U.S. Appl. No. 29/354,855, filed Jan. 29, 2010, Kopulos et al.

* cited by examiner

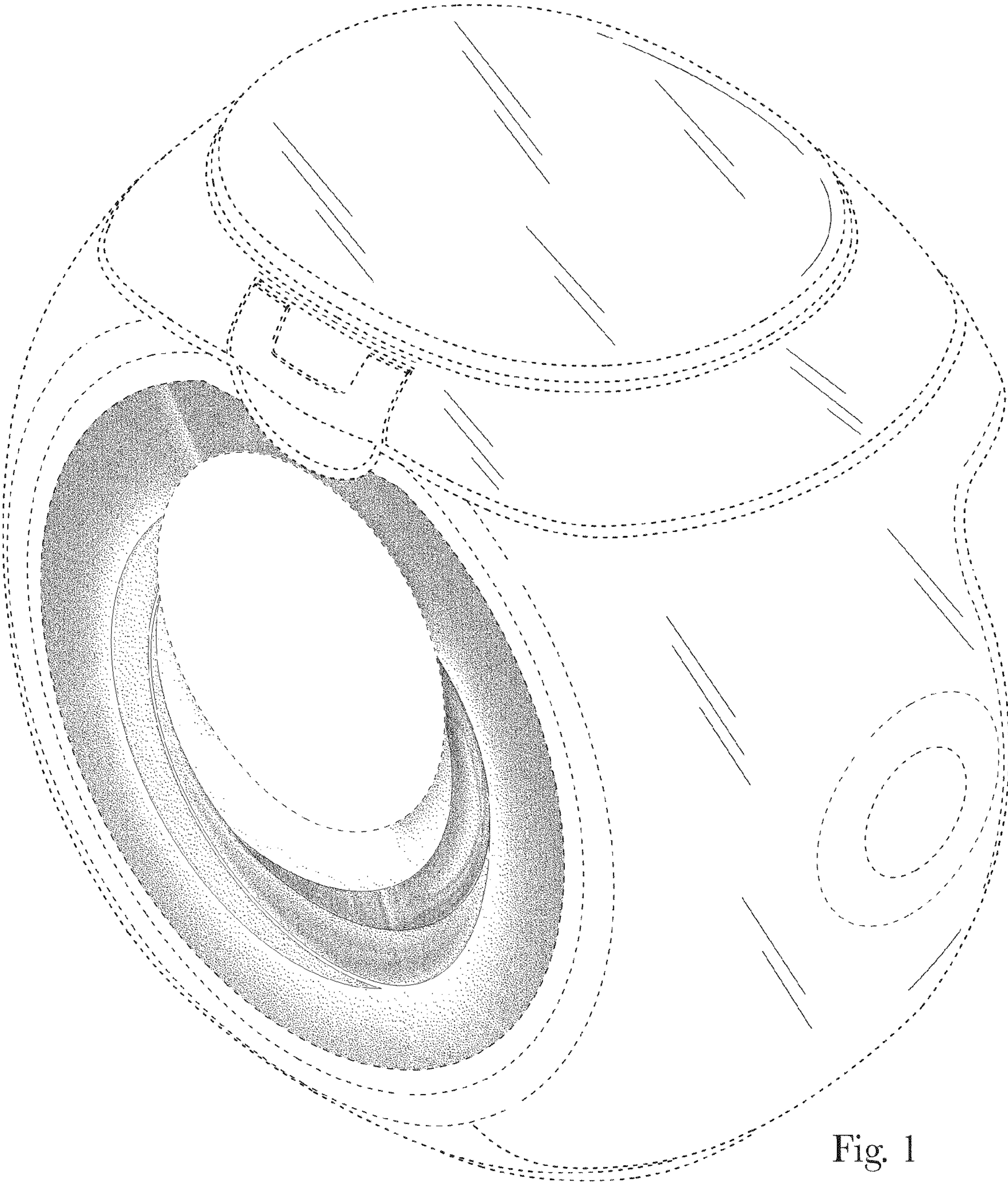


Fig. 1

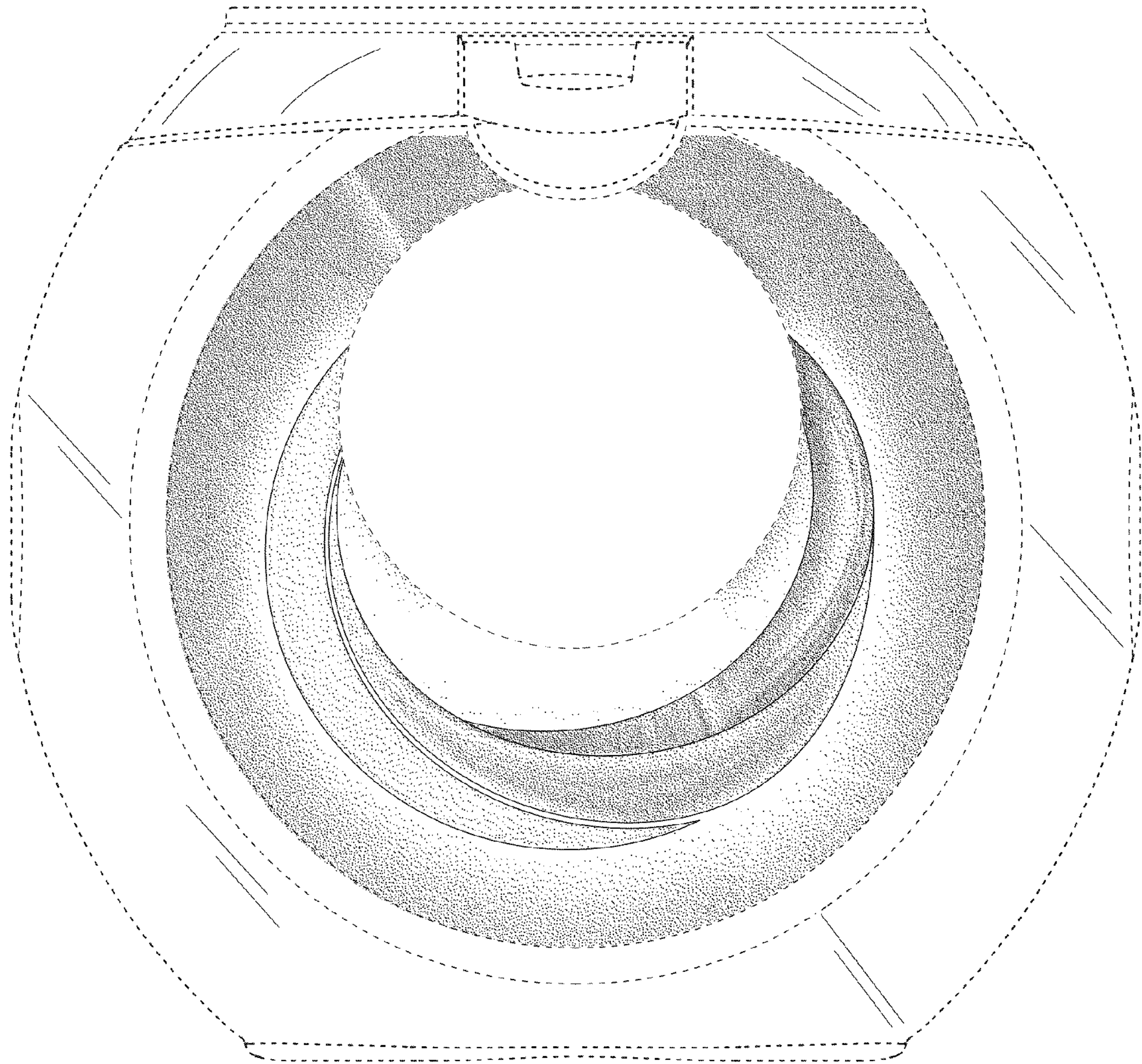


Fig. 2

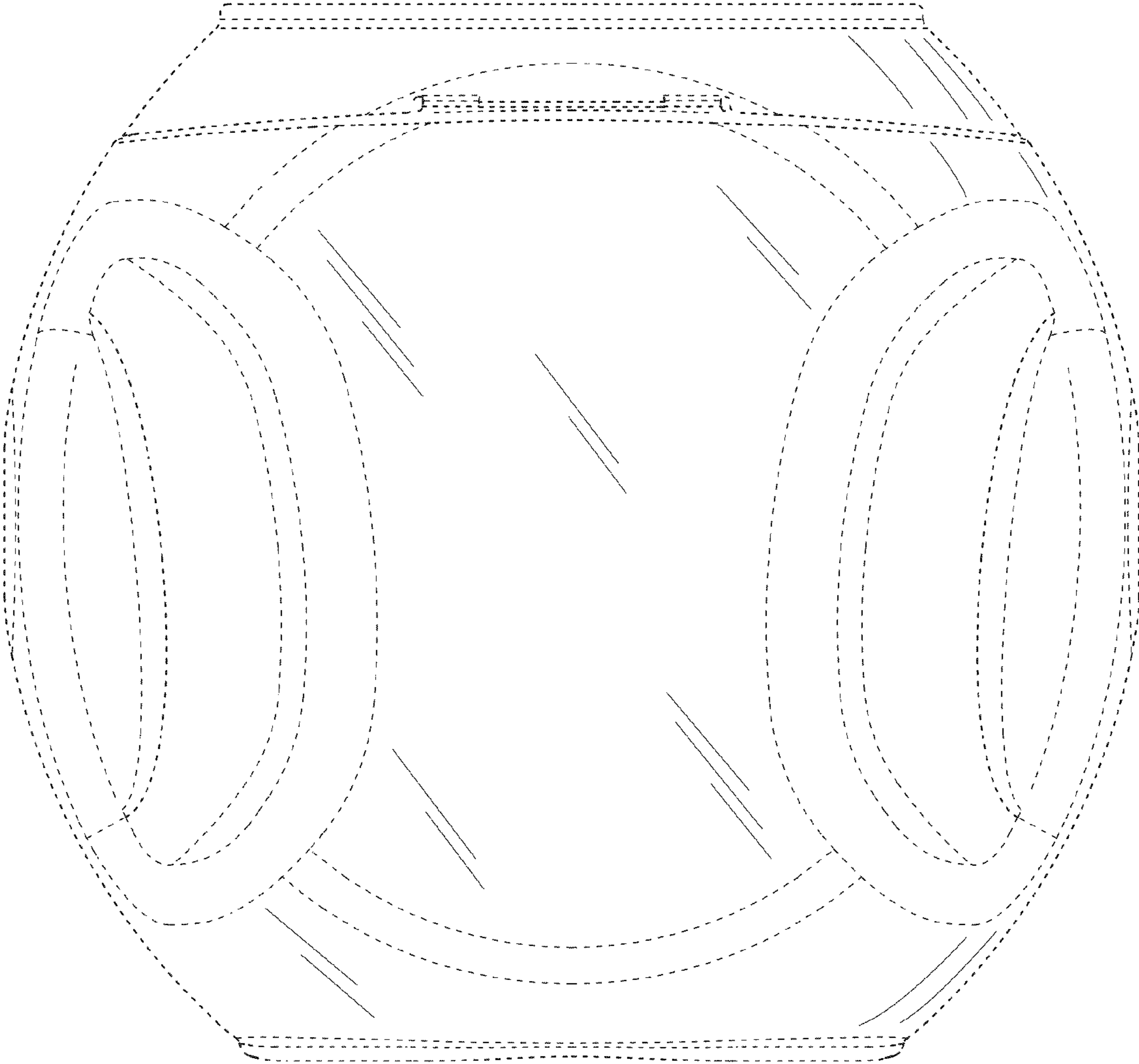


Fig. 3

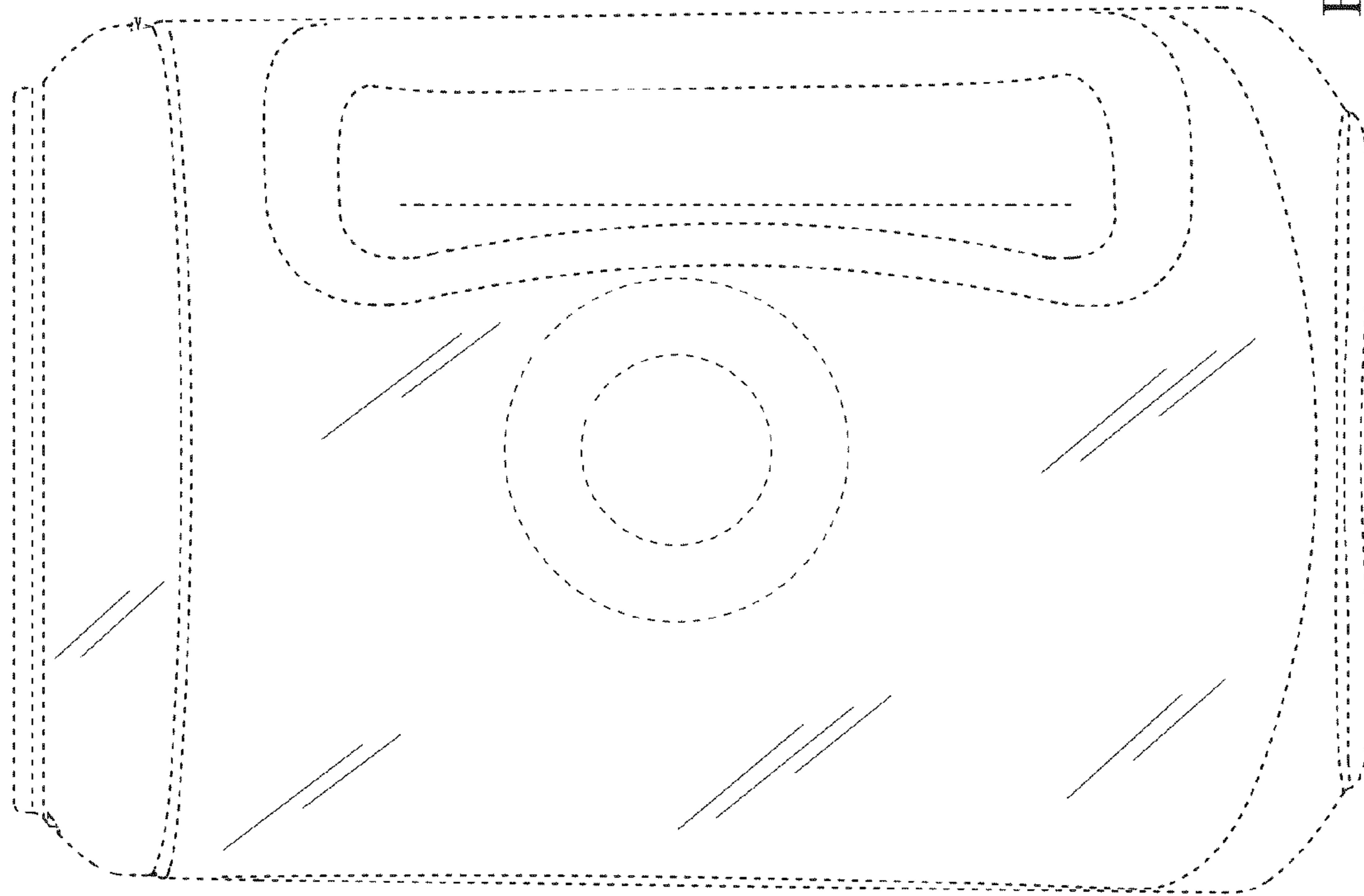


Fig. 5

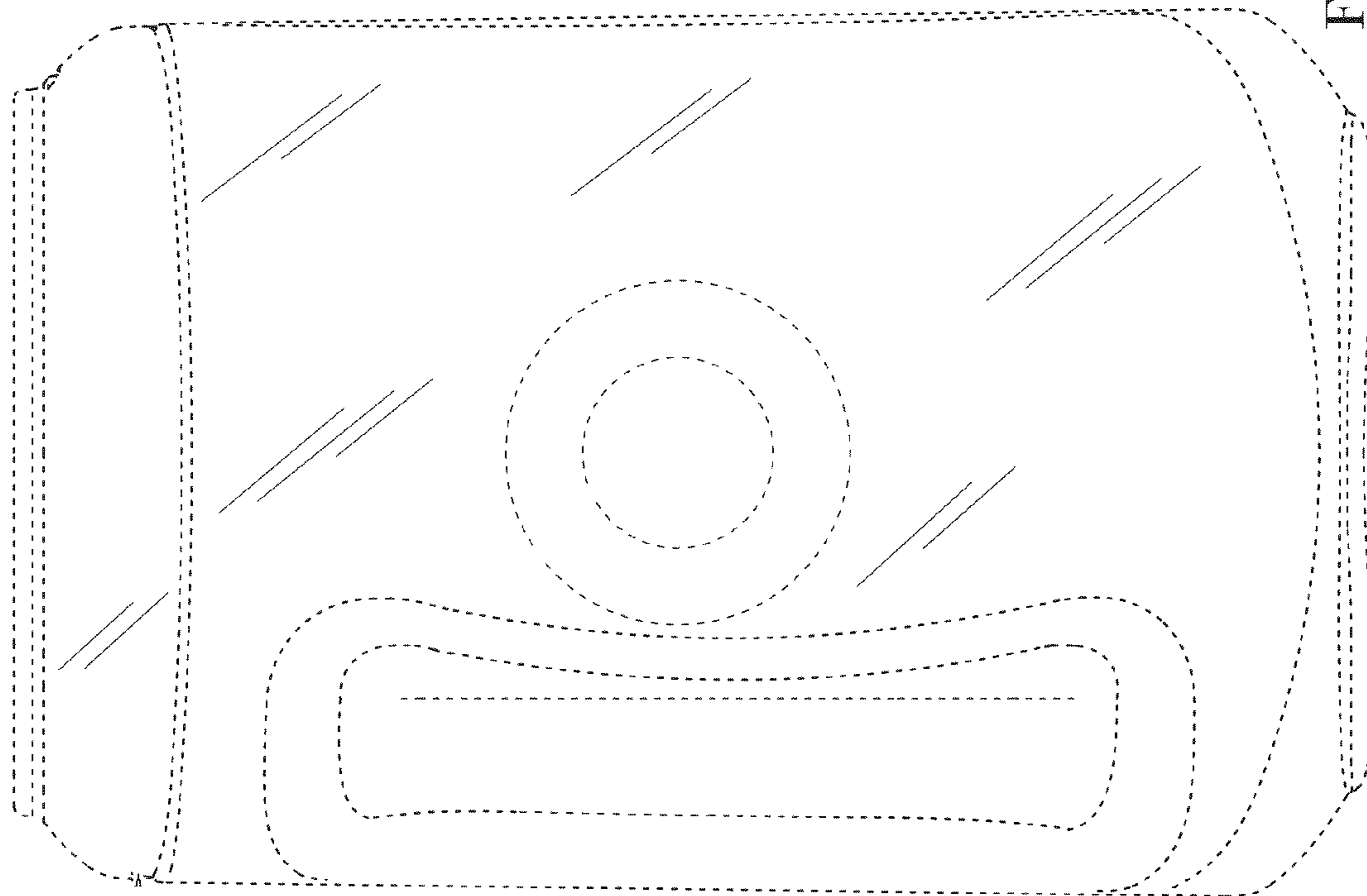


Fig. 4

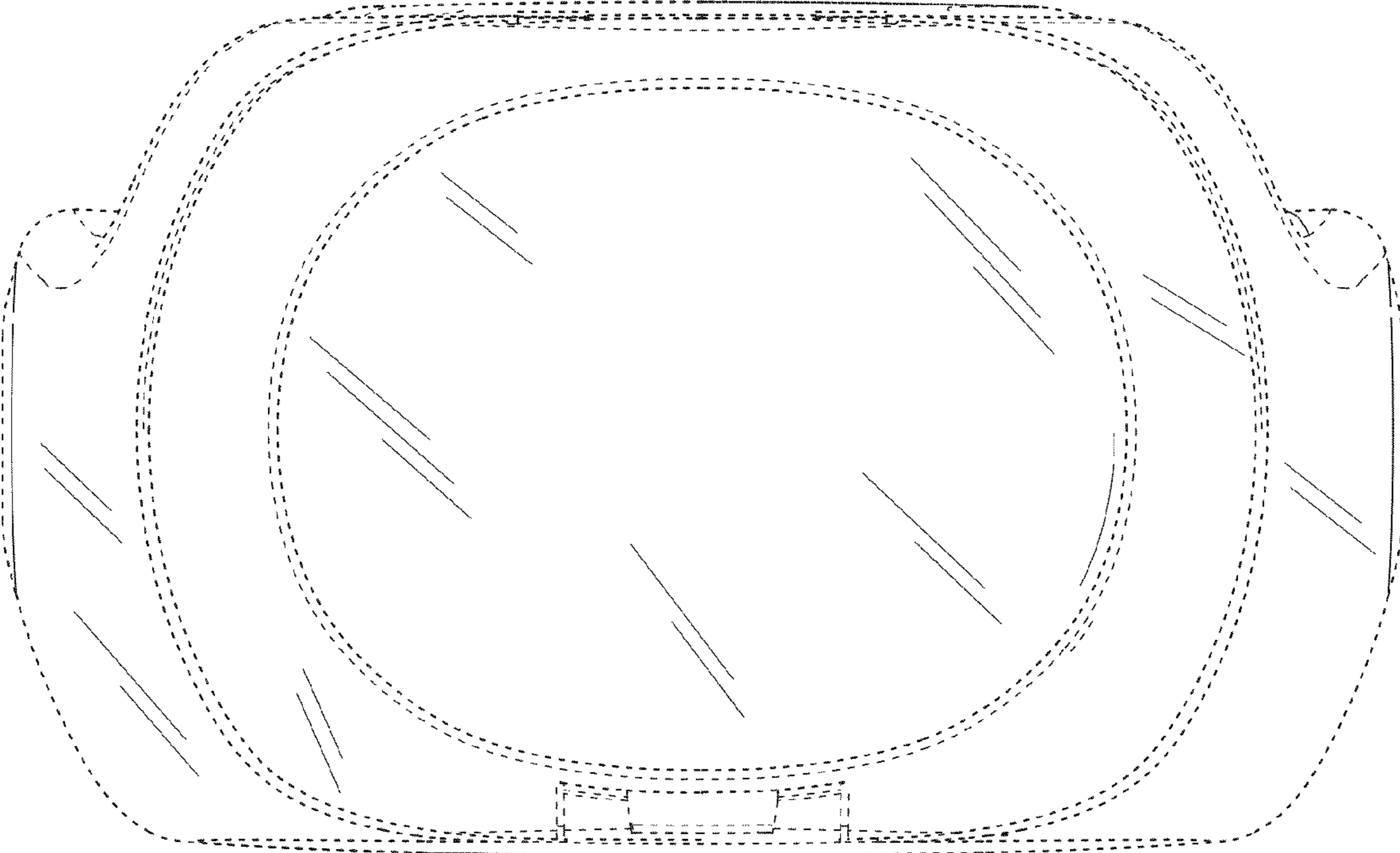


Fig. 6

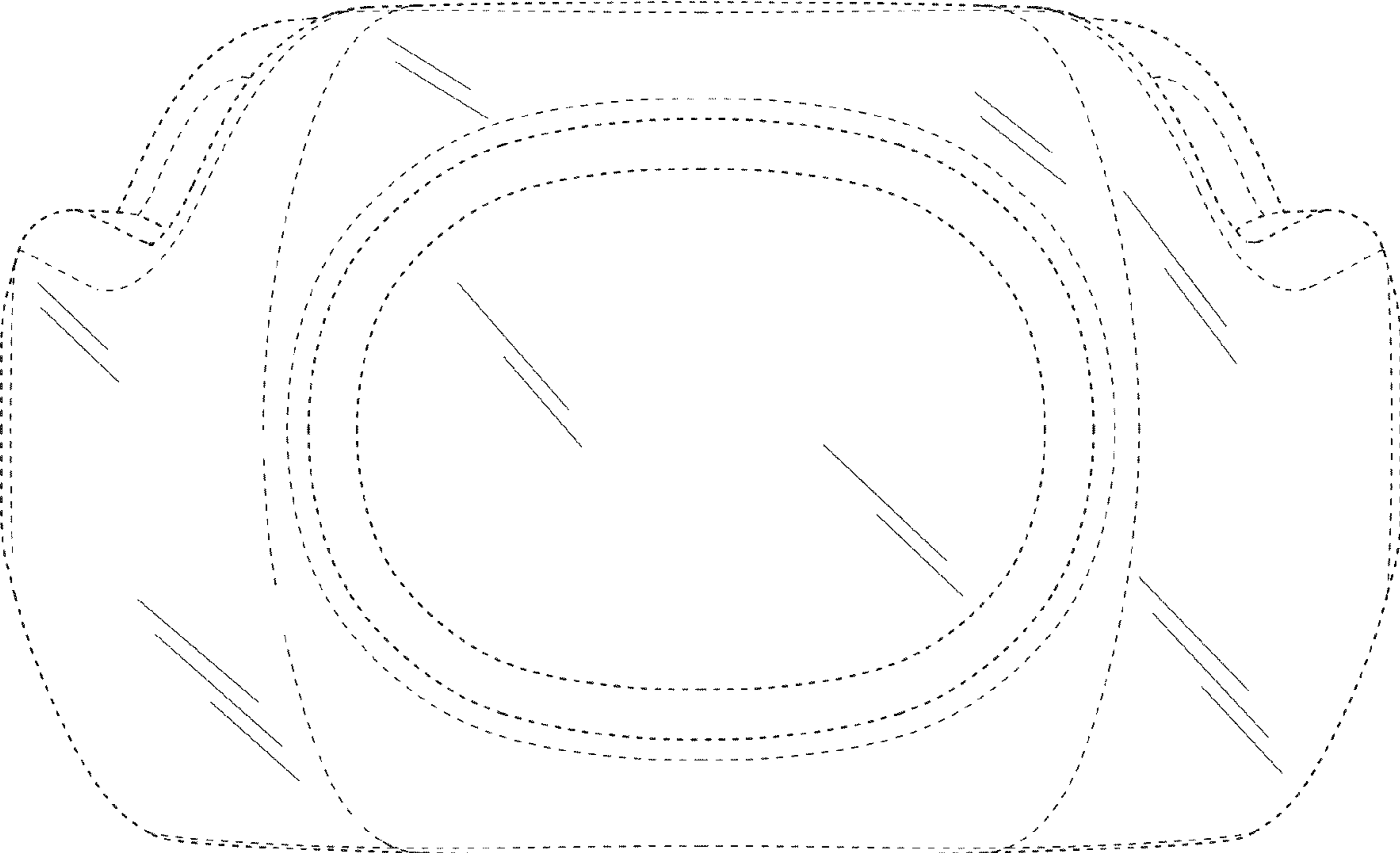


Fig. 7