



US00D644101S

(12) **United States Design Patent**
Caldwell et al.

(10) **Patent No.:** **US D644,101 S**
(45) **Date of Patent:** **** Aug. 30, 2011**

(54) **CONTAINER**
(75) Inventors: **Craig Caldwell**, Slippery Rock, PA
(US); **John Marshall**, Pittsburgh, PA
(US); **William Rasile**, Allison Park, PA
(US)

(73) Assignee: **H.J. Heinz Company**, Pittsburgh, PA
(US)

(**) Term: **14 Years**

(21) Appl. No.: **29/364,630**

(22) Filed: **Jun. 25, 2010**

(51) **LOC (9) Cl.** **09-03**

(52) **U.S. Cl.** **D9/430; D9/697**

(58) **Field of Classification Search** D9/414,
D9/416, 419, 430, 431, 433, 696.697, 707;
206/436, 457, 458, 822; 229/107, 108, 116,
229/116.1, 922

See application file for complete search history.

(56) **References Cited**

U.S. PATENT DOCUMENTS

2,705,579	A	4/1955	Mason	
2,898,003	A	8/1959	Wilson et al.	
D199,935	S *	12/1964	Dykes et al.	D9/707
3,315,801	A	4/1967	Lowry	
3,347,363	A *	10/1967	Dykes et al.	206/436
3,370,757	A	2/1968	Foster	
3,407,969	A	10/1968	Klein et al.	
3,420,366	A *	1/1969	Doyle	206/436
3,453,661	A	7/1969	Repko	
3,660,960	A	5/1972	Inman	
3,722,754	A	3/1973	Struble	
3,734,388	A *	5/1973	Hopkins	383/210
3,873,735	A	3/1975	Chalin et al.	
3,923,238	A *	12/1975	Thomas	229/198.2
4,064,662	A *	12/1977	O'Toole	52/71
4,090,660	A	5/1978	Schram et al.	
4,301,926	A	11/1981	Chung	
4,463,869	A	8/1984	Lewis	

4,566,613	A	1/1986	Anscomb
4,648,506	A	3/1987	Campbell
4,673,085	A	6/1987	Badouard et al.
4,717,046	A	1/1988	Brogli
4,762,124	A	8/1988	Kerch et al.
4,765,463	A	8/1988	Chanel
4,863,036	A	9/1989	Heijenga
4,871,091	A	10/1989	Preziosi
4,872,597	A	10/1989	Hanafusa
4,921,137	A	5/1990	Heijenga
4,963,045	A	10/1990	Willcox
4,989,419	A	2/1991	Brando et al.
D317,690	S	6/1991	Thomsen
D318,795	S	8/1991	Christine
5,038,974	A	8/1991	DaCosta
5,111,932	A	5/1992	Campbell
5,141,136	A	8/1992	Tignor

(Continued)

FOREIGN PATENT DOCUMENTS

FR 2801570 6/2001

(Continued)

Primary Examiner — Thomas Johannes

(74) *Attorney, Agent, or Firm* — Duane Morris LLP

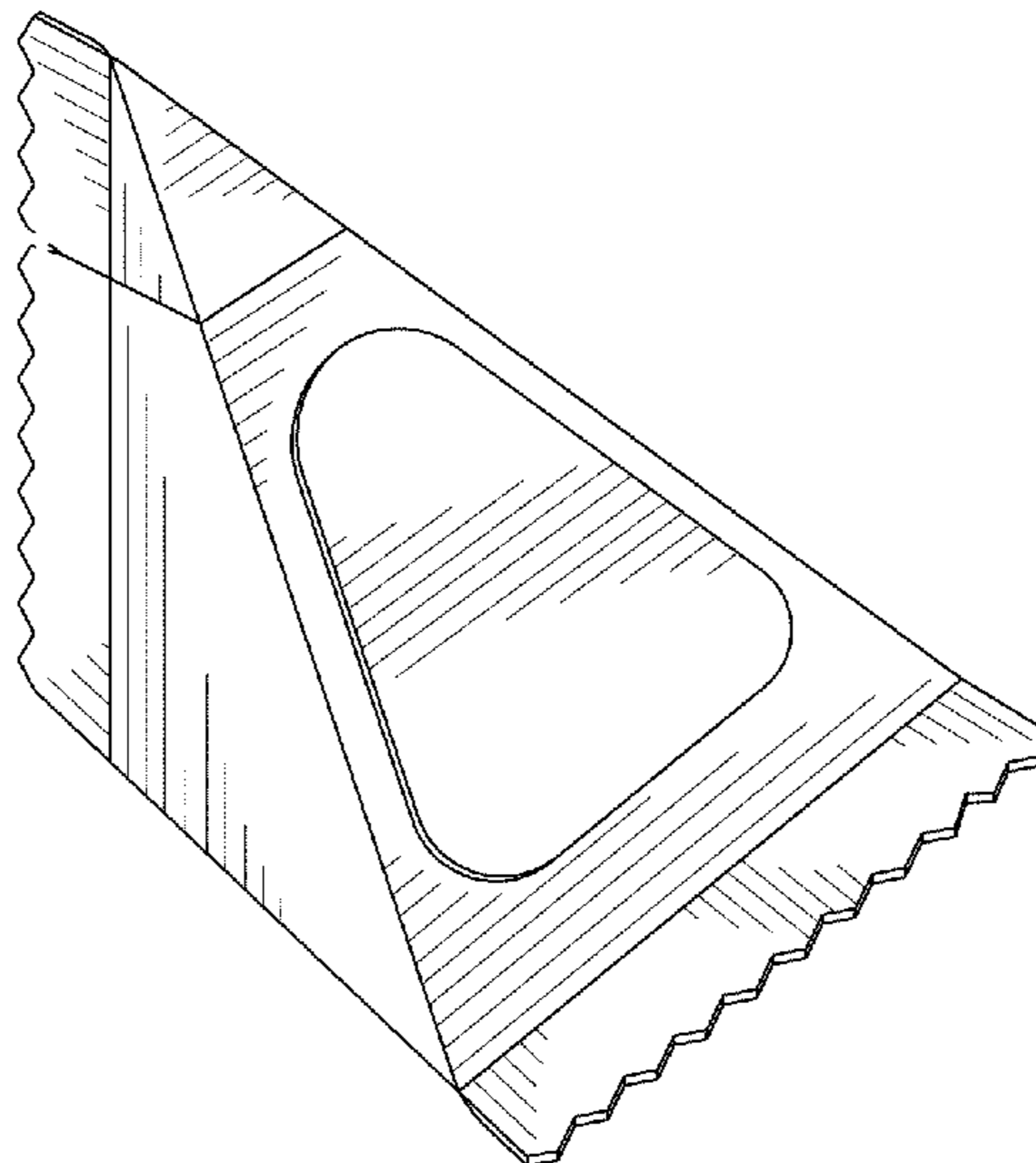
(57) **CLAIM**

The ornamental design for a container, as shown and described.

DESCRIPTION

FIG. 1 is a perspective view of a container showing our new design;
FIG. 2 is a right-side elevation view thereof, the left-side elevation view being a mirror image thereto;
FIG. 3 is a rear elevation view thereof;
FIG. 4 is a front elevation view thereof;
FIG. 5 is a top plan view thereof; and,
FIG. 6 is a bottom plan view thereof.
The broken line showing of structure depicts unclaimed subject matter only, and forms no part of the claimed design.

1 Claim, 3 Drawing Sheets



US D644,101 S

Page 2

U.S. PATENT DOCUMENTS

5,156,329	A	10/1992	Farrell	
5,235,149	A	8/1993	Boehrer	
5,277,920	A	1/1994	Weaver, Jr.	
D354,906	S	1/1995	Lane, Jr. et al.	
5,411,178	A	5/1995	Roders et al.	
D362,595	S	9/1995	Schneider	
5,482,172	A	1/1996	Braddock	
5,529,224	A	6/1996	Chan et al.	
5,546,728	A	8/1996	Dekeyser	
D376,758	S *	12/1996	Bradfield	D9/430
5,613,517	A	3/1997	Handler	
5,662,245	A	9/1997	Grant	
5,706,961	A	1/1998	Morano	
5,799,838	A	9/1998	Miller	
5,806,726	A	9/1998	Ho	
5,839,609	A	11/1998	Zakensberg	
5,996,845	A	12/1999	Chan	
6,007,264	A	12/1999	Koptis	
6,051,263	A	4/2000	Gorlich et al.	
6,062,413	A	5/2000	Redmond	
6,085,942	A	7/2000	Redmond	
6,089,375	A	7/2000	Johnson et al.	
D432,011	S *	10/2000	Millon	D9/697
D435,440	S	12/2000	Croft et al.	
6,220,311	B1	4/2001	Litto	
D442,078	S	5/2001	Fuquen	
D448,661	S	10/2001	Kerr et al.	
D453,598	S *	2/2002	Fagg et al.	D32/37
6,357,631	B1	3/2002	Zaksenberg	
6,419,118	B1	7/2002	Rees et al.	
6,435,374	B1	8/2002	Tabaroni	
6,460,781	B1	10/2002	Garcia et al.	
6,557,731	B1	5/2003	Lyon et al.	
6,601,737	B1	8/2003	Sandler	
6,648,140	B2	11/2003	Petricca	

6,663,019	B2	12/2003	Garcia et al.	
D484,972	S	1/2004	Steele, IV et al.	
6,702,462	B2	3/2004	Richardson	
D494,859	S *	8/2004	Keberlein	D9/416
6,811,057	B2	11/2004	Duquet et al.	
6,854,888	B1	2/2005	Brown et al.	
6,863,178	B2	3/2005	Sokolsky et al.	
D505,861	S	6/2005	Risgalla	
6,955,028	B1	10/2005	Dunaway	
7,004,322	B1	2/2006	Bartoli	
D519,833	S *	5/2006	Katsuyama	D9/431
D529,377	S *	10/2006	Heiss	D9/431
D537,341	S	2/2007	Liebe et al.	
RE39,520	E	3/2007	Hess, III et al.	
D551,967	S *	10/2007	Hengami	D9/431
D580,782	S	11/2008	Murray	
7,506,762	B2	3/2009	Nelson et al.	
D598,299	S	8/2009	Isogai et al.	
2001/0045374	A1	11/2001	Selker	
2002/0100760	A1	8/2002	Rinks	
2002/0148855	A1	10/2002	Sokolsky et al.	
2003/0015605	A1	1/2003	Garcia et al.	
2003/0183637	A1	10/2003	Zappa et al.	
2006/0278562	A1	12/2006	Van Puijenbroek	
2007/0034647	A1	2/2007	Patrick	
2007/0164045	A1	7/2007	Wydler et al.	
2007/0228073	A1	10/2007	Mazzarino	
2010/0008602	A1	1/2010	Risgalla	

FOREIGN PATENT DOCUMENTS

WO	WO9728054	8/1997
WO	WO02070352	9/2002
WO	WO2004063048	7/2004
WO	WO2007126817	11/2007

* cited by examiner

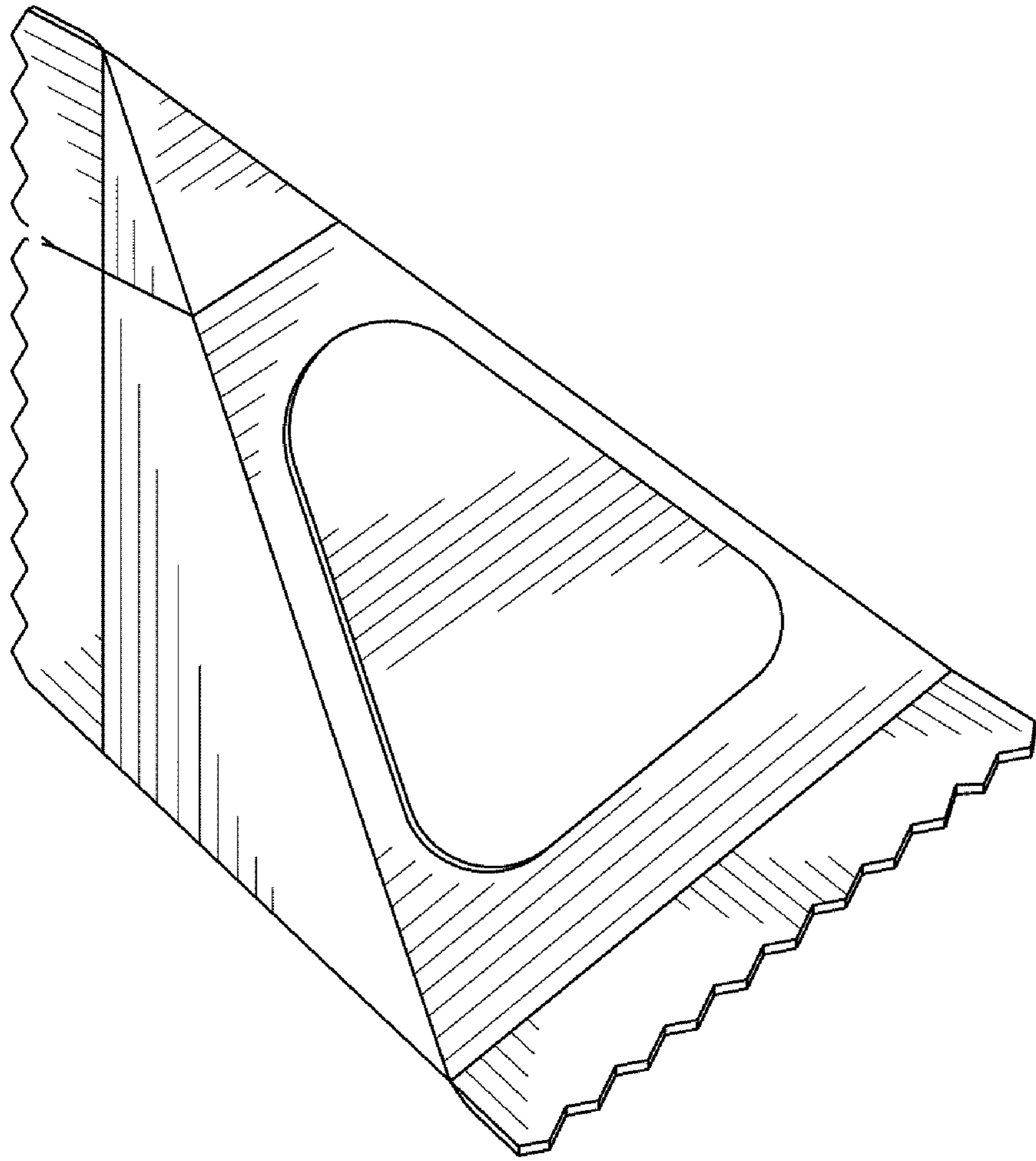


FIG. 1

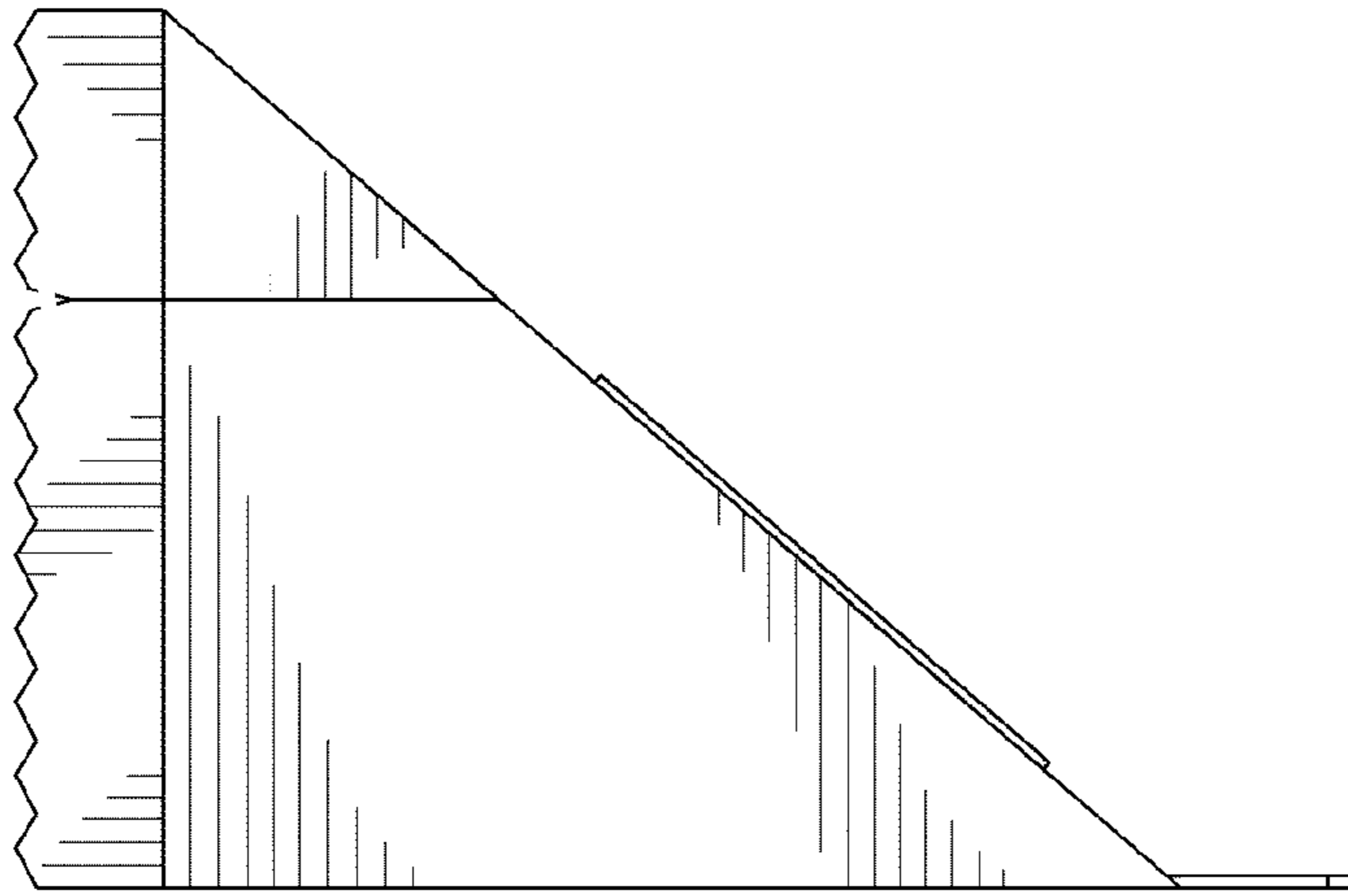


FIG. 2

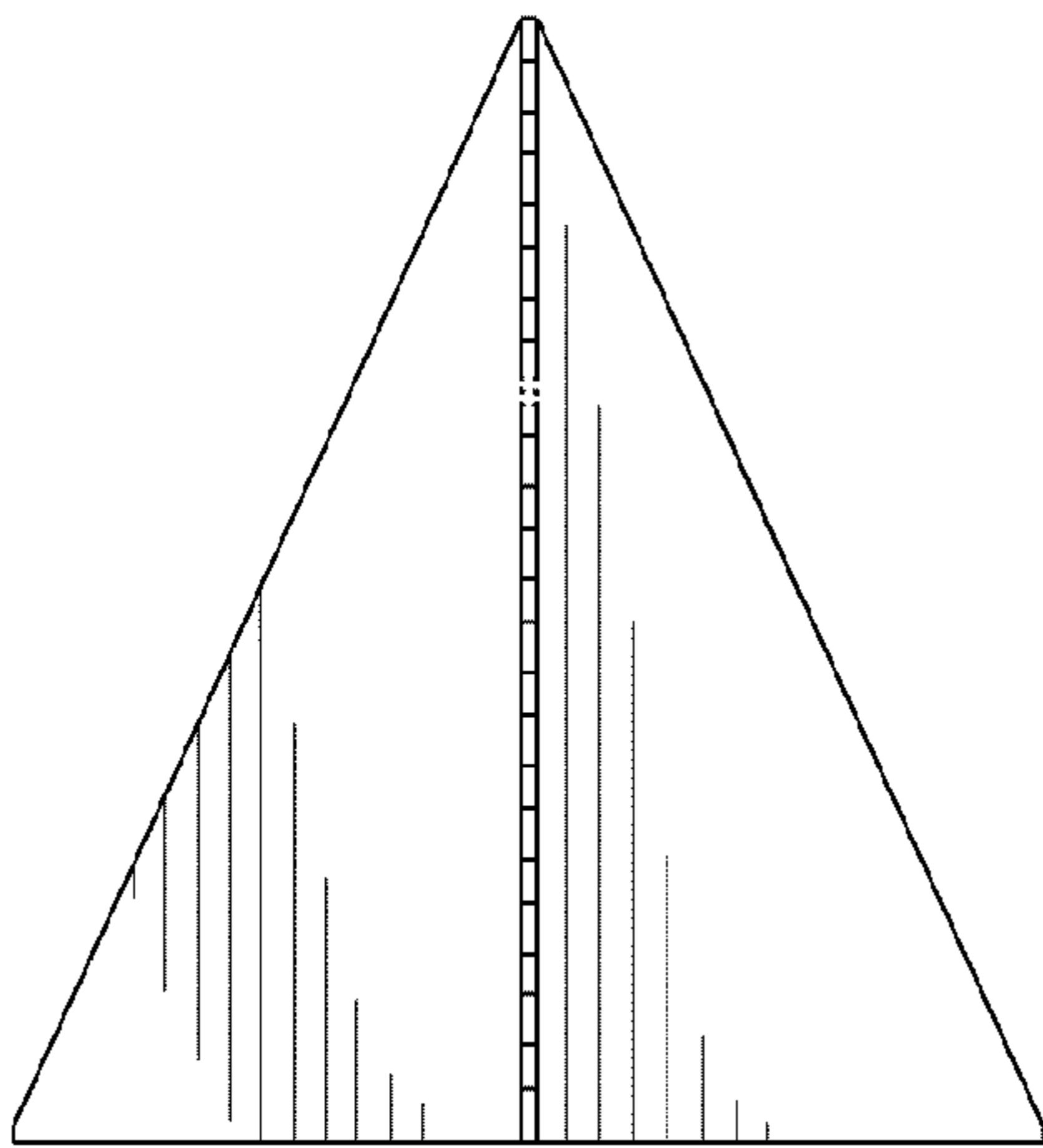


FIG. 3

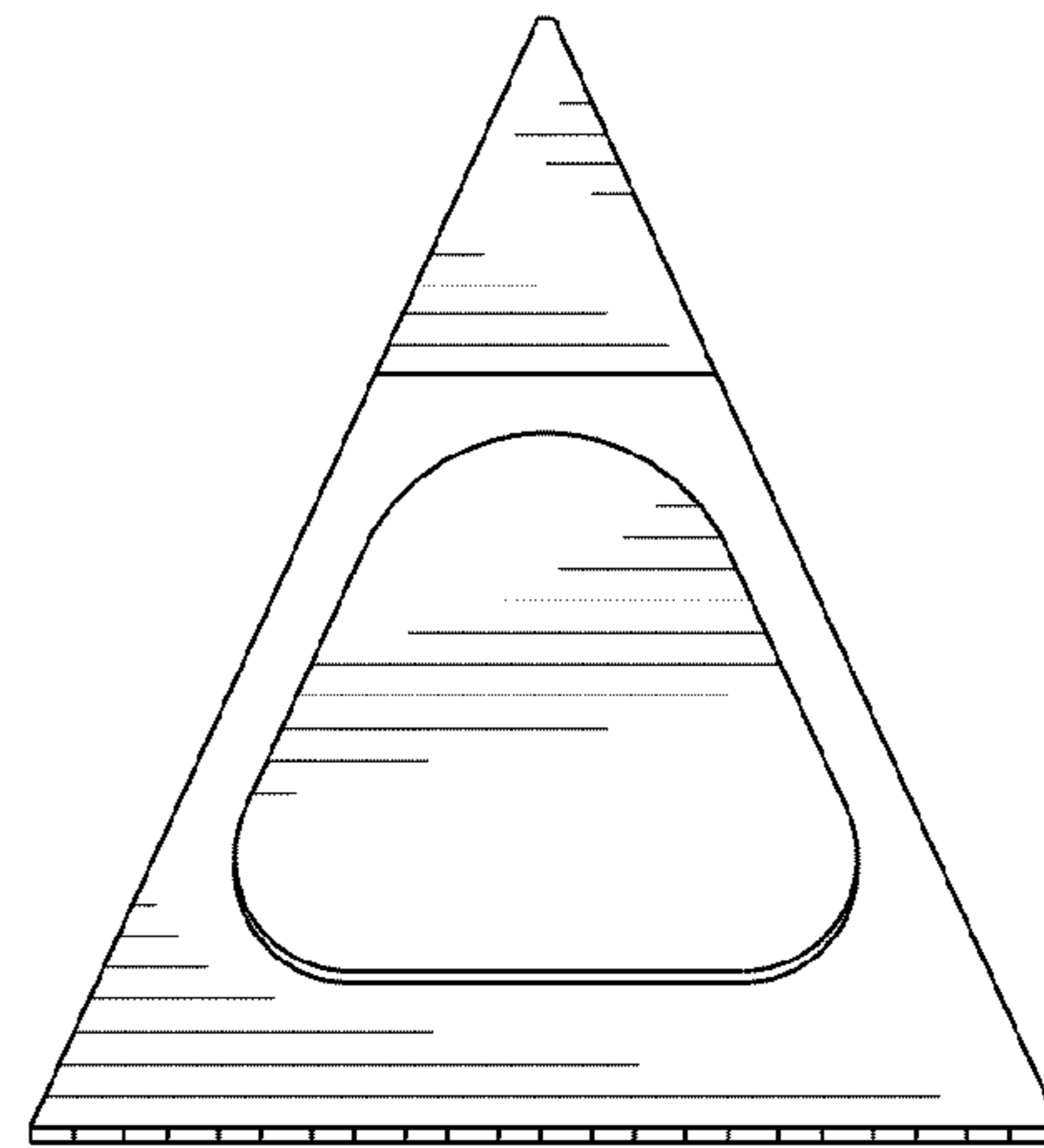


FIG. 4

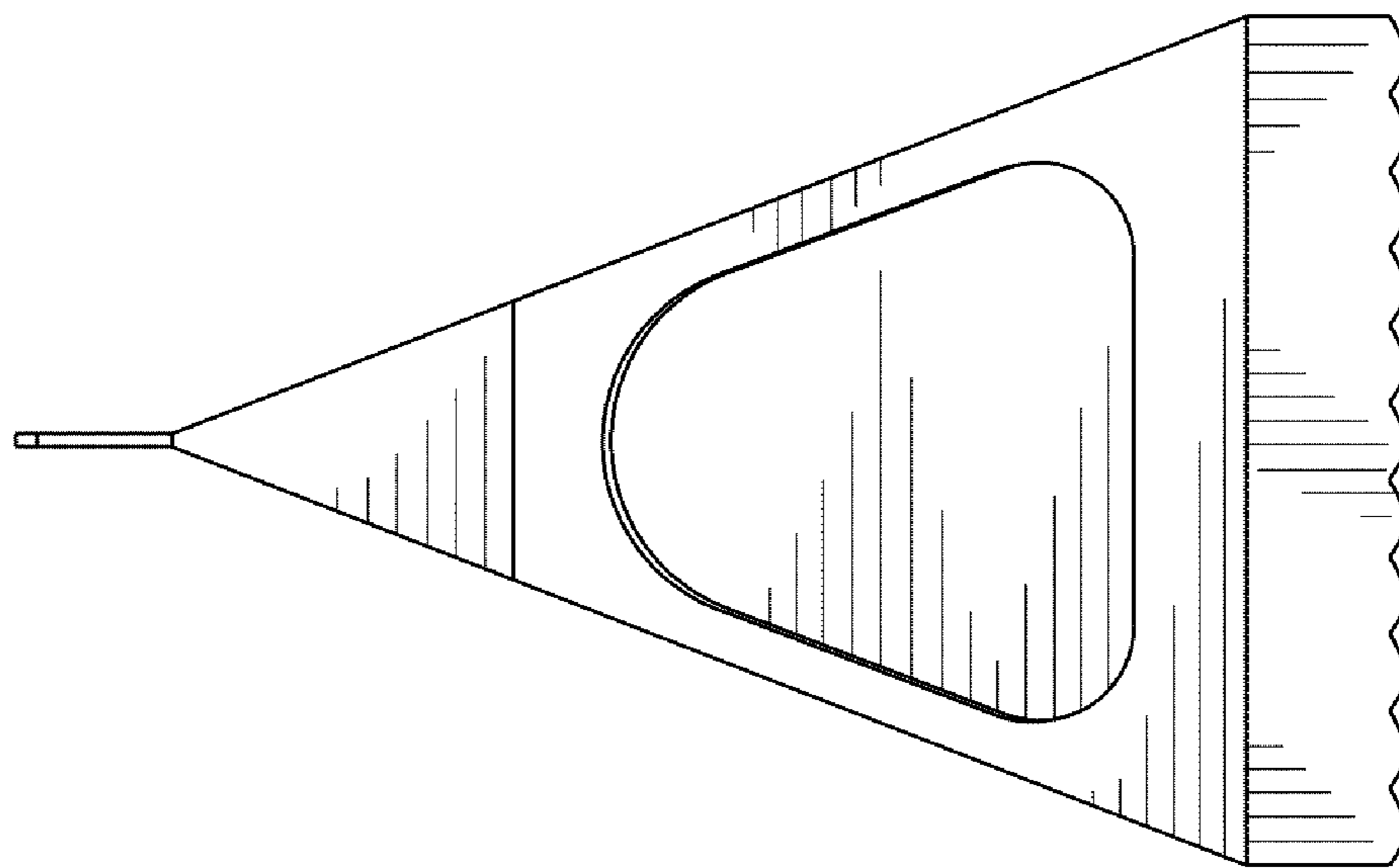


FIG. 5

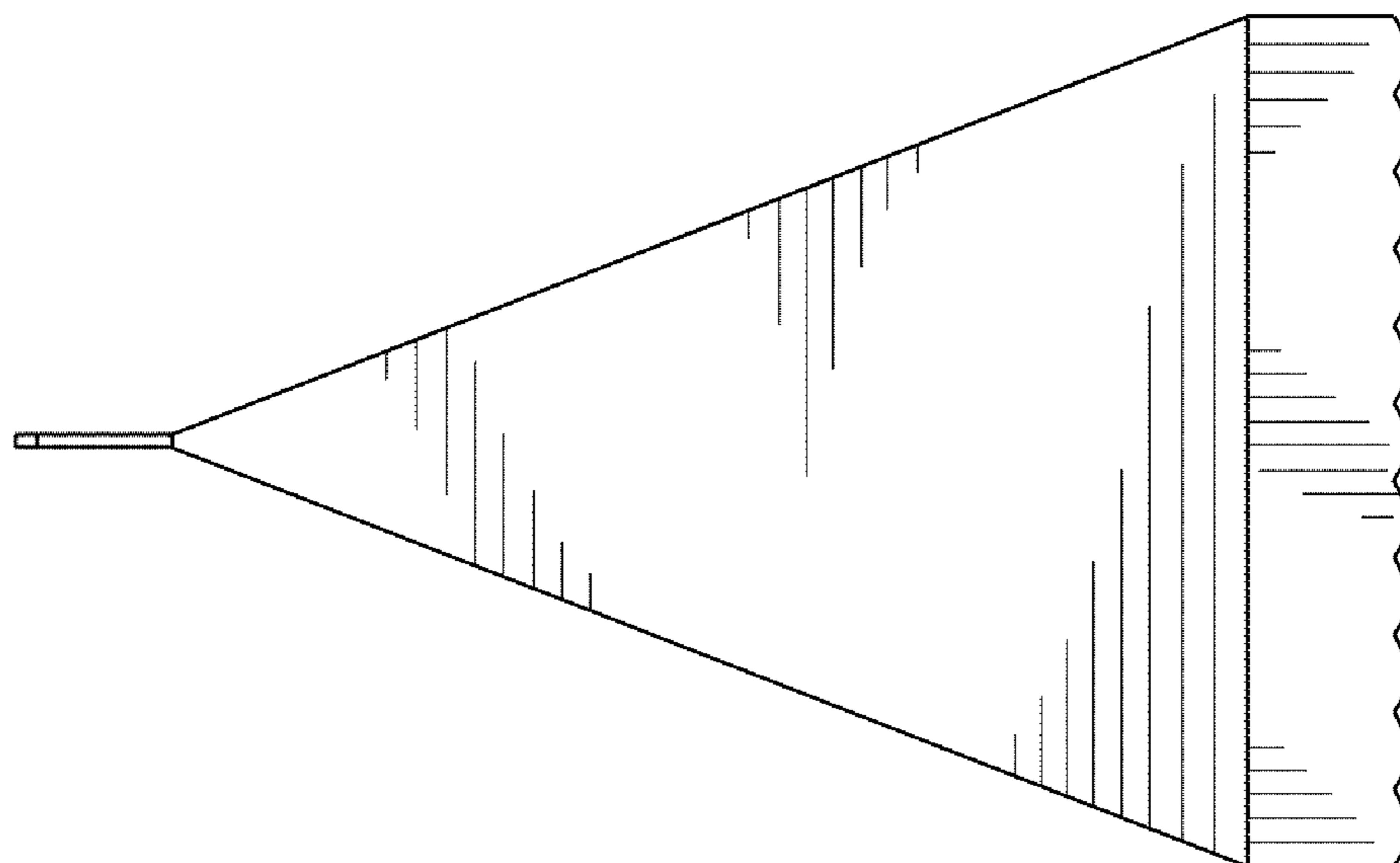


FIG. 6