



US00D644100S

(12) **United States Design Patent**
Stacy-Ryan

(10) **Patent No.:** **US D644,100 S**
(45) **Date of Patent:** **** Aug. 30, 2011**

(54) **PRODUCT DISPENSER**

(75) Inventor: **Russell L. Stacy-Ryan**, Chicago, IL
(US)

(73) Assignee: **Wm. Wrigley Jr. Company**, Chicago,
IL (US)

(**) Term: **14 Years**

(21) Appl. No.: **29/331,094**

(22) Filed: **Jan. 20, 2009**

(51) **LOC (9) Cl.** **09-03**

(52) **U.S. Cl.** **D9/423**

(58) **Field of Classification Search** D9/422-423,
D9/432-433, 414, 430, 499; 206/150, 147,
206/96, 242, 260, 264, 265, 267, 460, 5,
206/5.1, 6, 37, 216, 800; 229/124, 125, 126,
229/129.1, 87.18, 87.07, 800

See application file for complete search history.

(56) **References Cited**

U.S. PATENT DOCUMENTS

183,466	A	10/1876	Pearl et al.	
4,645,077	A *	2/1987	McLaughlin et al.	206/449
D327,004	S	6/1992	Nadel	
D387,976	S *	12/1997	Mori	D6/634
D388,951	S *	1/1998	Mori	D3/201
D434,652	S *	12/2000	Mori	D9/701
D465,416	S *	11/2002	Dzwill et al.	D9/432
D479,464	S	9/2003	Kopecky	
D484,046	S	12/2003	Kopecky	
D503,087	S	3/2005	Dzwill et al.	
D512,304	S	12/2005	Aldridge	
7,032,754	B2	4/2006	Kopecky	
7,159,717	B2 *	1/2007	Aldridge et al.	206/449

D582,268	S	12/2008	Zanaletti	
7,533,773	B2 *	5/2009	Aldridge et al.	206/738
D594,323	S *	6/2009	Friedman et al.	D9/423
7,569,008	B2 *	8/2009	Aldridge et al.	206/449
7,686,165	B2 *	3/2010	Aldridge et al.	206/449
D619,454	S *	7/2010	Fluegel et al.	D9/423
D624,401	S *	9/2010	Friedman et al.	D9/423
7,913,846	B2 *	3/2011	Aldridge et al.	206/449
2005/0255199	A1	11/2005	Aldridge	
2005/0269233	A1 *	12/2005	Aldridge	206/472
2005/0284787	A1 *	12/2005	Kopecky	206/460
2006/0027483	A1	2/2006	Aldridge	
2006/0051457	A1	3/2006	Bougoulas et al.	
2007/0199849	A1 *	8/2007	Aldridge	206/460
2010/0170941	A1 *	7/2010	Mitra-Shah et al.	229/102

FOREIGN PATENT DOCUMENTS

GB	2227457	A1	8/1990
JP	11-001220	A1	1/1999

* cited by examiner

Primary Examiner — Rosemary K Tarcza

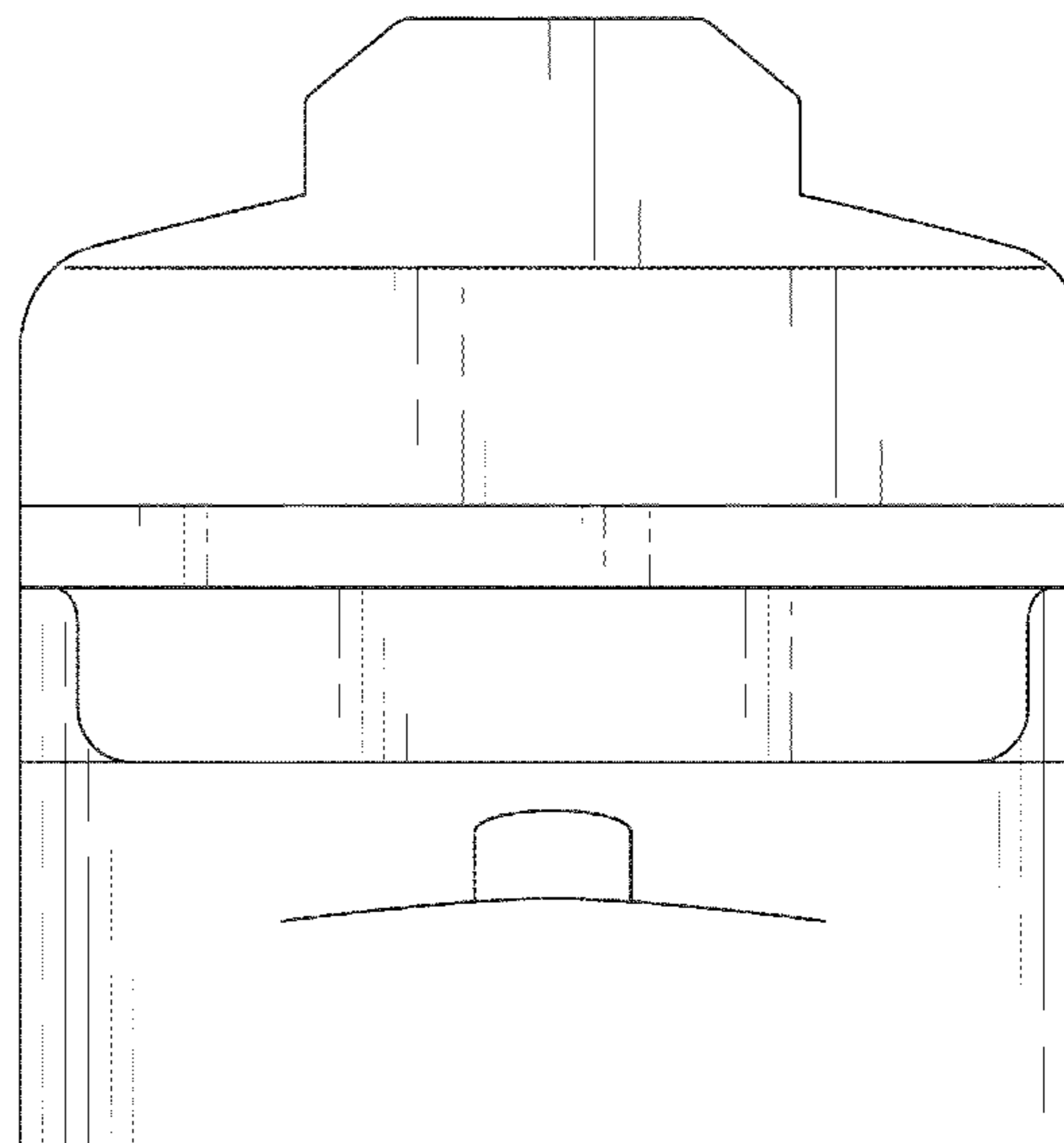
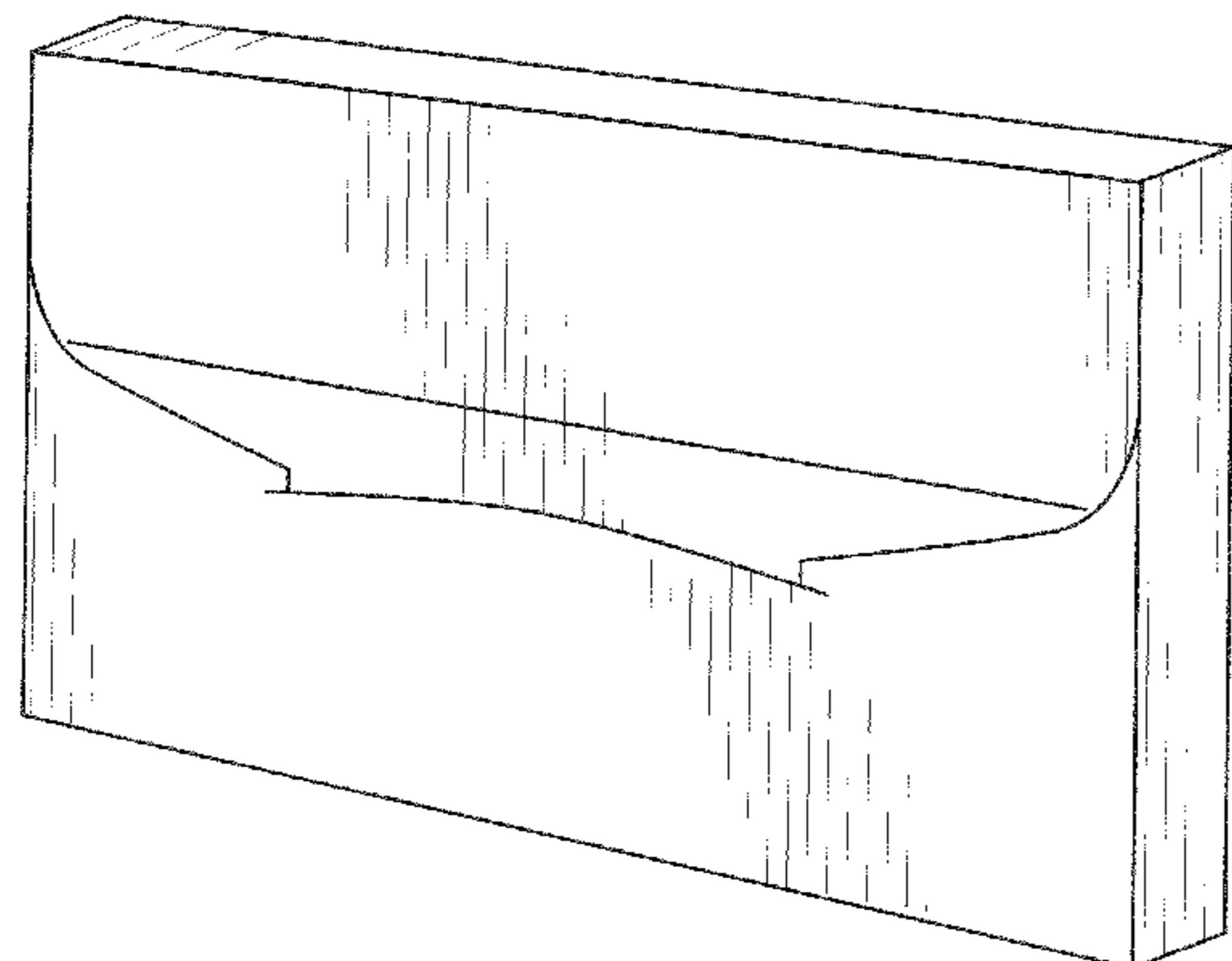
(57) **CLAIM**

The ornamental design for a product dispenser, as shown and described.

DESCRIPTION

FIG. 1 is a perspective view of the present product dispenser wherein the cover is in an engaged position; FIG. 2 is a front view thereof, wherein the cover is in an open position; FIG. 3 is a back view thereof, wherein the cover is in an open position; and, FIG. 4 is a perspective view thereof, wherein the cover is in a closed position.

1 Claim, 2 Drawing Sheets



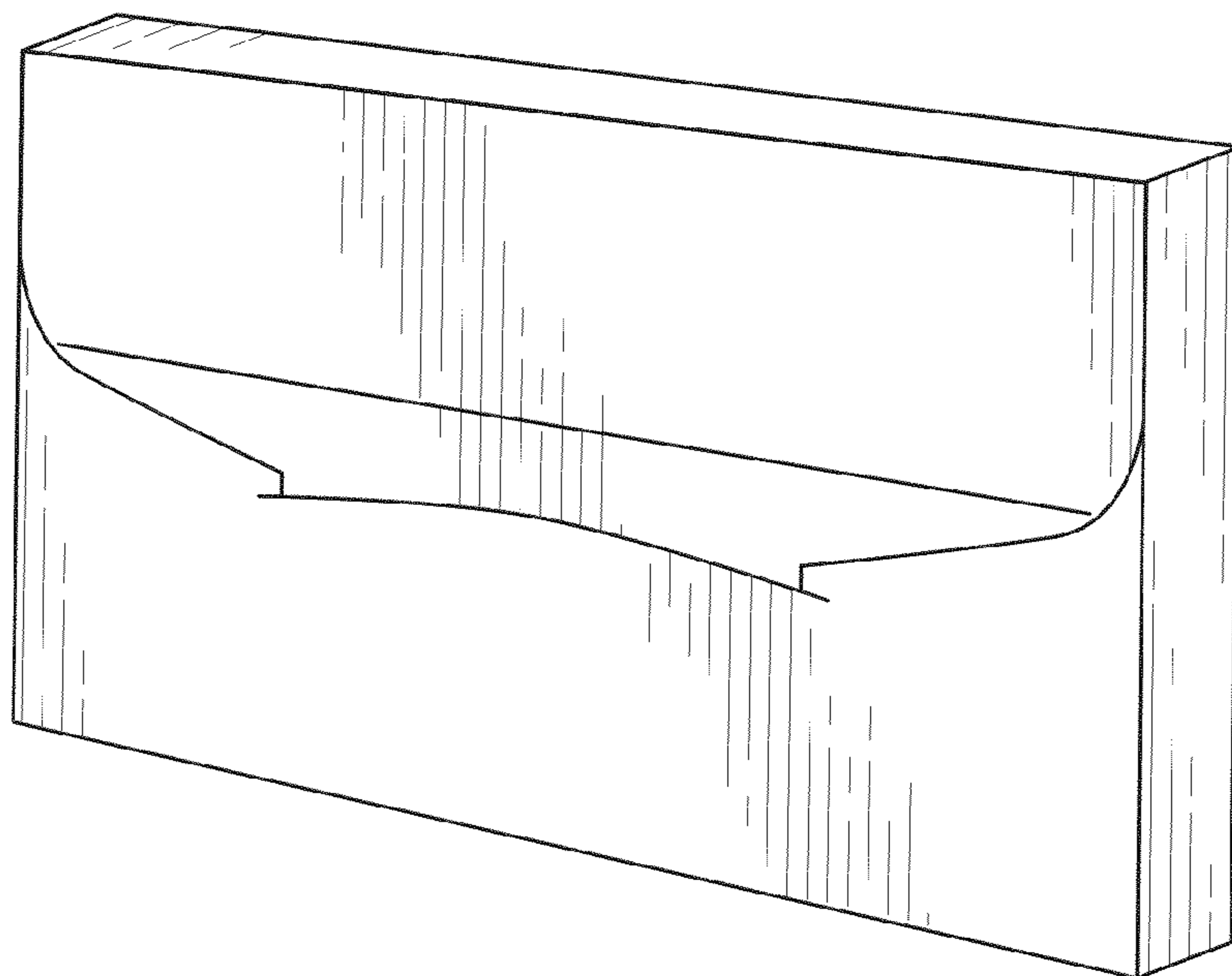


FIG. 1

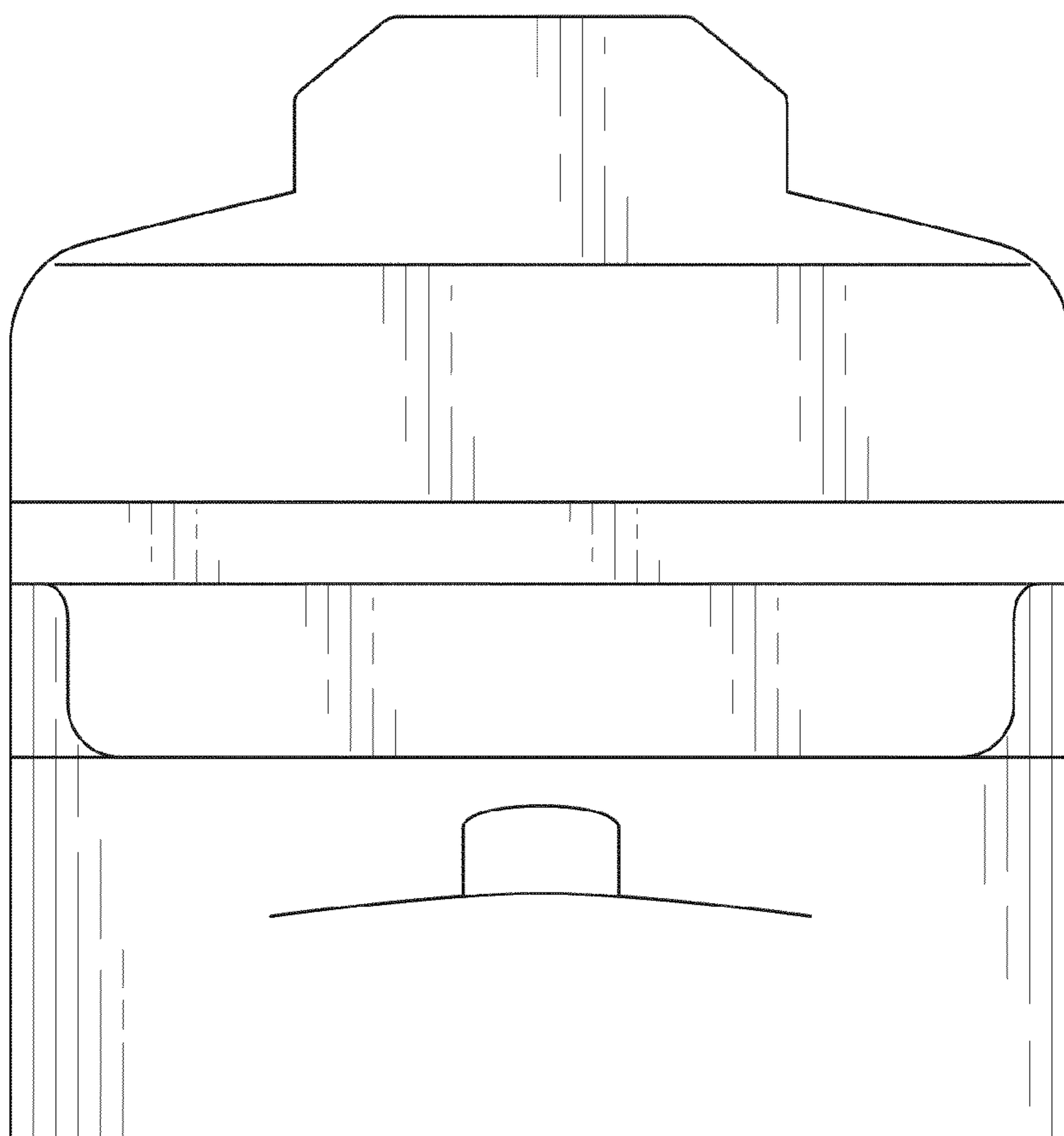


FIG. 2

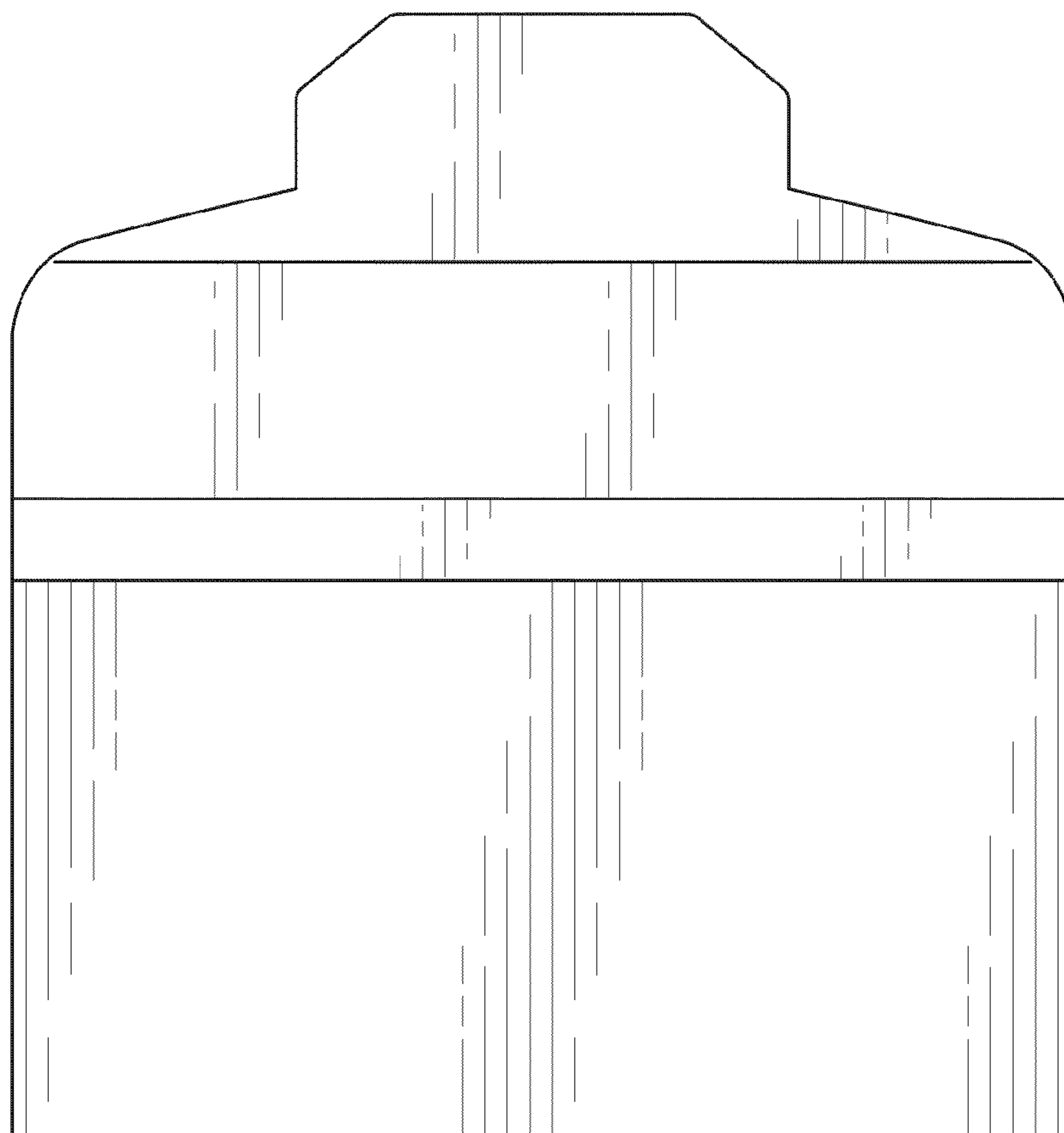


FIG. 3

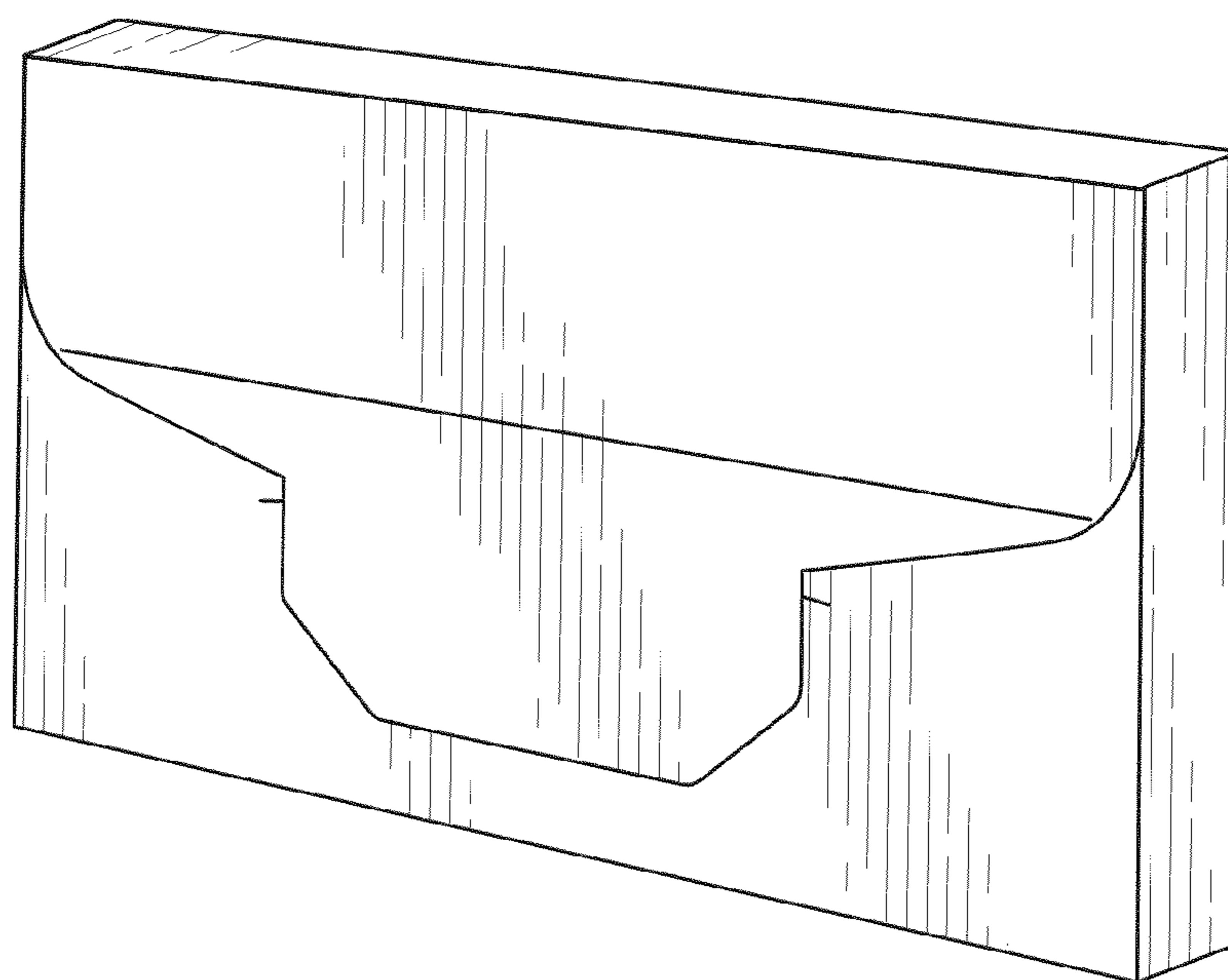


FIG. 4