



US00D644095S

(12) **United States Design Patent**
Underwood et al.

(10) **Patent No.:** **US D644,095 S**

(45) **Date of Patent:** **** Aug. 30, 2011**

(54) **QUICK RELEASE CLAMP ASSEMBLY FOR SEALING A RIGID TUBE/CONTAINER JUNCTURE**

(76) Inventors: **Roy E. Underwood**, Young Harris, GA (US); **Mark A. Underwood**, Young Harris, GA (US)

(**) Term: **14 Years**

(21) Appl. No.: **29/316,576**

(22) Filed: **Oct. 9, 2009**

(51) **LOC (9) Cl.** **08-08**

(52) **U.S. Cl.** **D8/396**

(58) **Field of Classification Search** D8/396;
D23/265; 24/274 R, 279, 276; 285/252,
285/253

See application file for complete search history.

(56) **References Cited**

U.S. PATENT DOCUMENTS

4,373,405	A *	2/1983	Geil	74/531
5,653,481	A *	8/1997	Alderman	285/363
6,523,866	B2 *	2/2003	Lin	285/410
7,008,196	B2 *	3/2006	Hokkirigawa et al.	417/423.3
7,384,078	B2 *	6/2008	Cobb et al.	285/420
2005/0000062	A1 *	1/2005	Lin	24/279

* cited by examiner

Primary Examiner — Celia Murphy
Assistant Examiner — John Windmuller

(74) *Attorney, Agent, or Firm* — Harry I. Leon; Vivian L. Steadman

(57) **CLAIM**

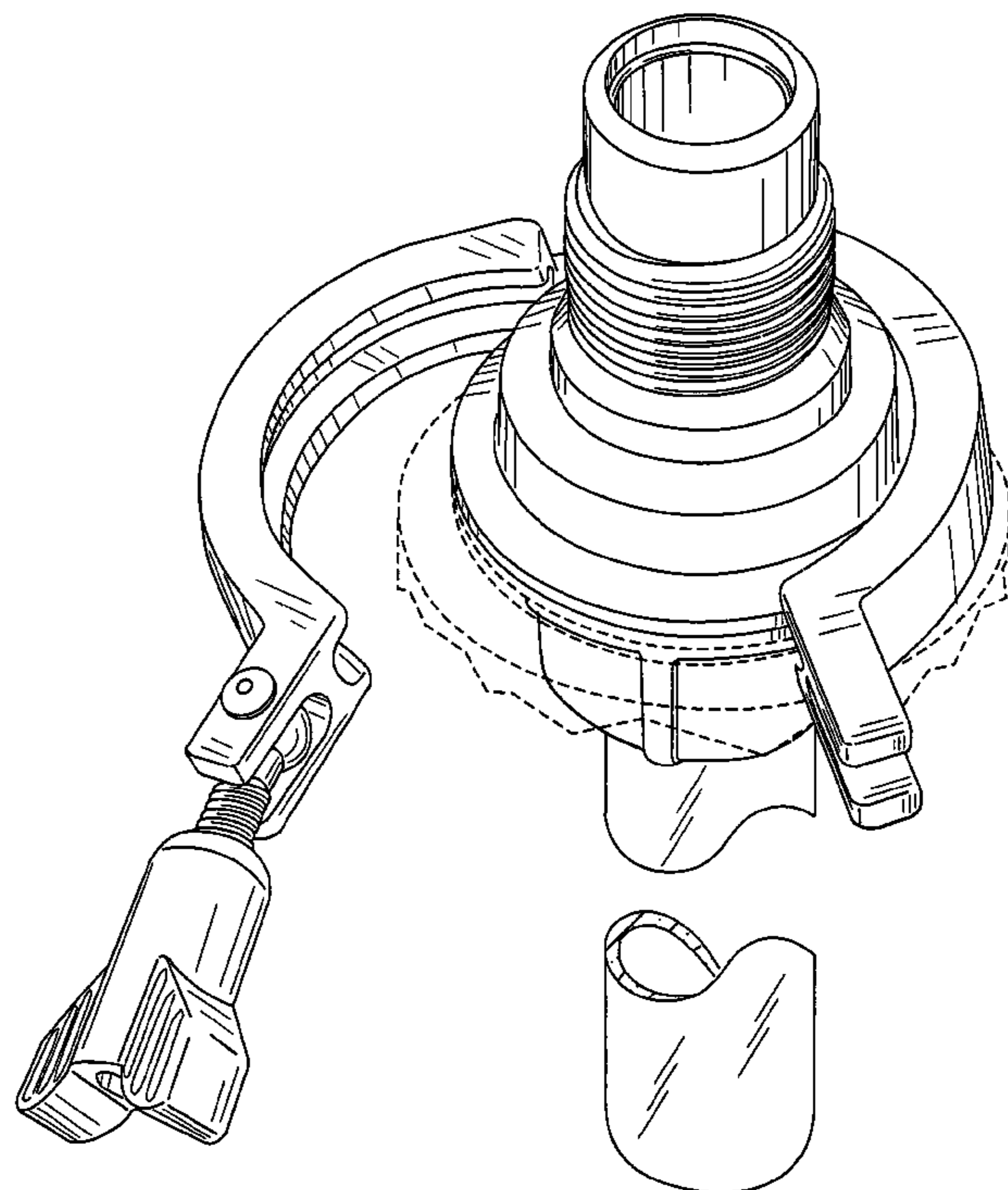
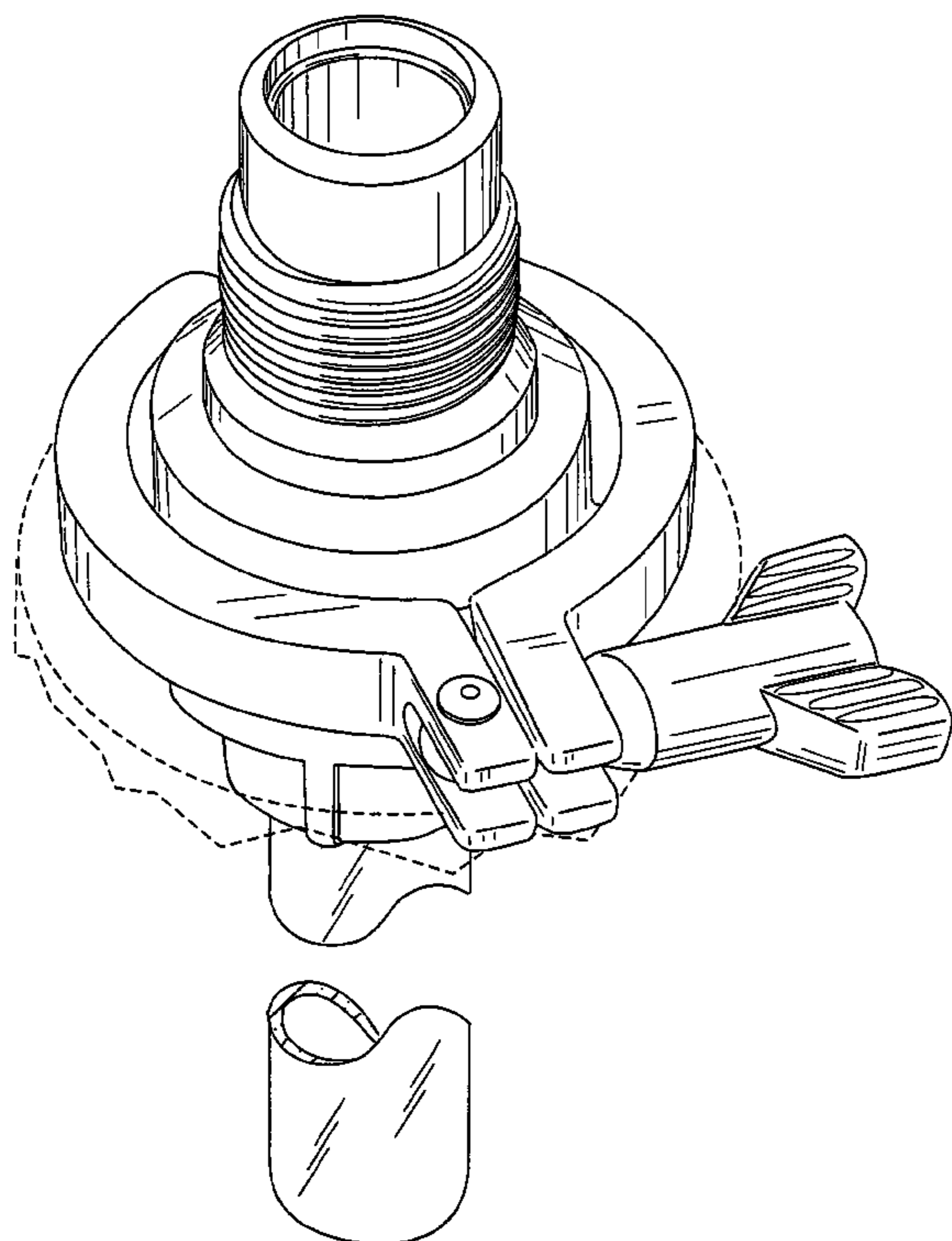
The ornamental design for a quick release clamp assembly for sealing a rigid tube/container juncture, as shown and described.

DESCRIPTION

FIG. 1 is a front perspective view of a quick release clamp assembly for sealing a rigid tube/container juncture showing our new design in a clamped position; FIG. 2 is a front perspective view thereof in an unclamped position; FIG. 3 is front elevation view thereof in the clamped position; FIG. 4 is a rear elevation view thereof in the clamped position; FIG. 5 is a left side elevation view thereof in the clamped position; FIG. 6 is a right side elevation view thereof in the clamped position; FIG. 7 is a top plan view thereof in the clamped position; FIG. 8 is a bottom plan view thereof in the clamped position; FIG. 9 is a fragmentary rear elevation view thereof in the clamped position; and, FIG. 10 is an exploded front perspective view thereof in the unclamped position with the parts shown separately for ease of disclosure.

Portions of the assembly shown in broken lines form no part of the claimed design. Likewise, the broken lines environment showing of the container is for illustrative purposes only and does not form part of the claimed design.

1 Claim, 5 Drawing Sheets



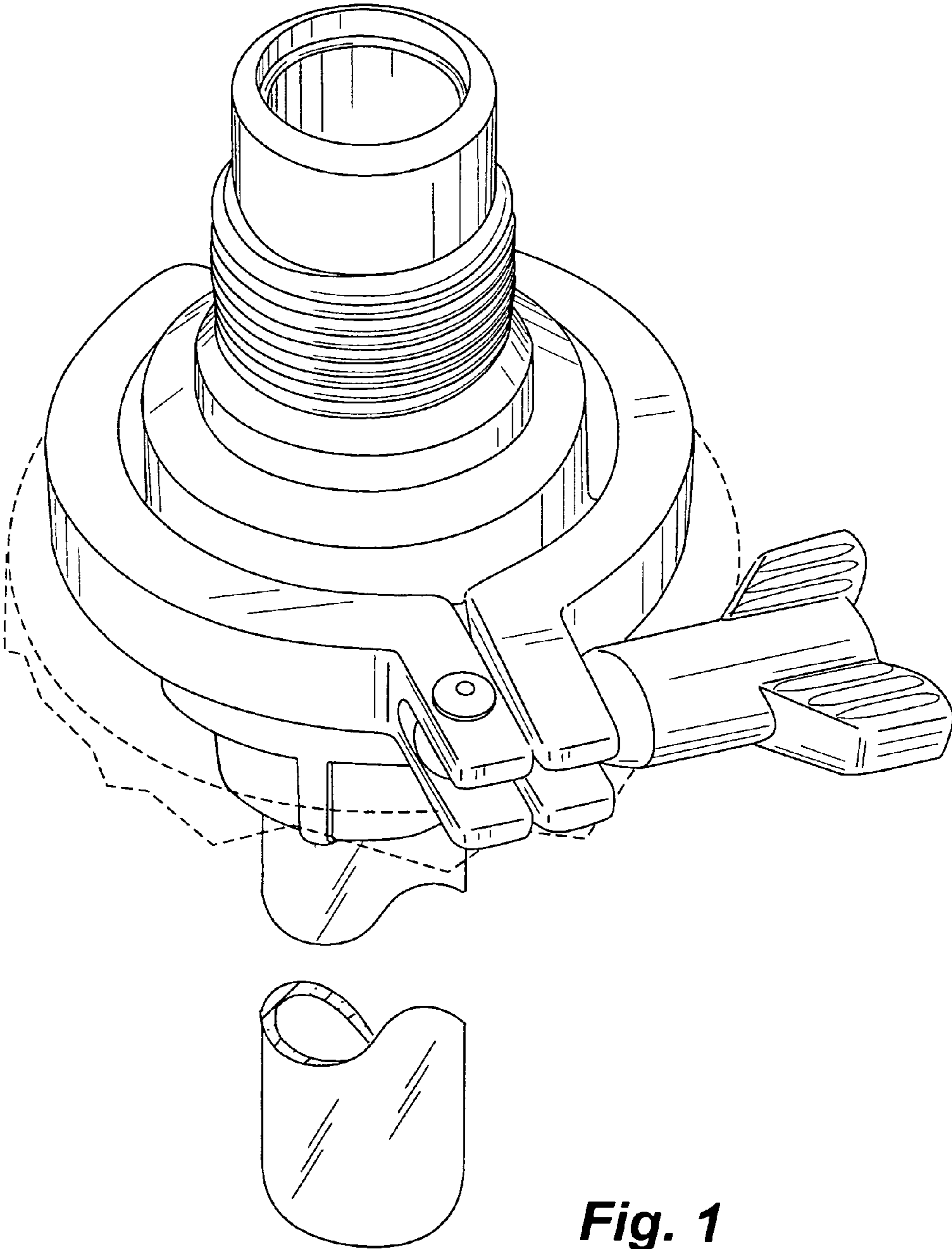


Fig. 1

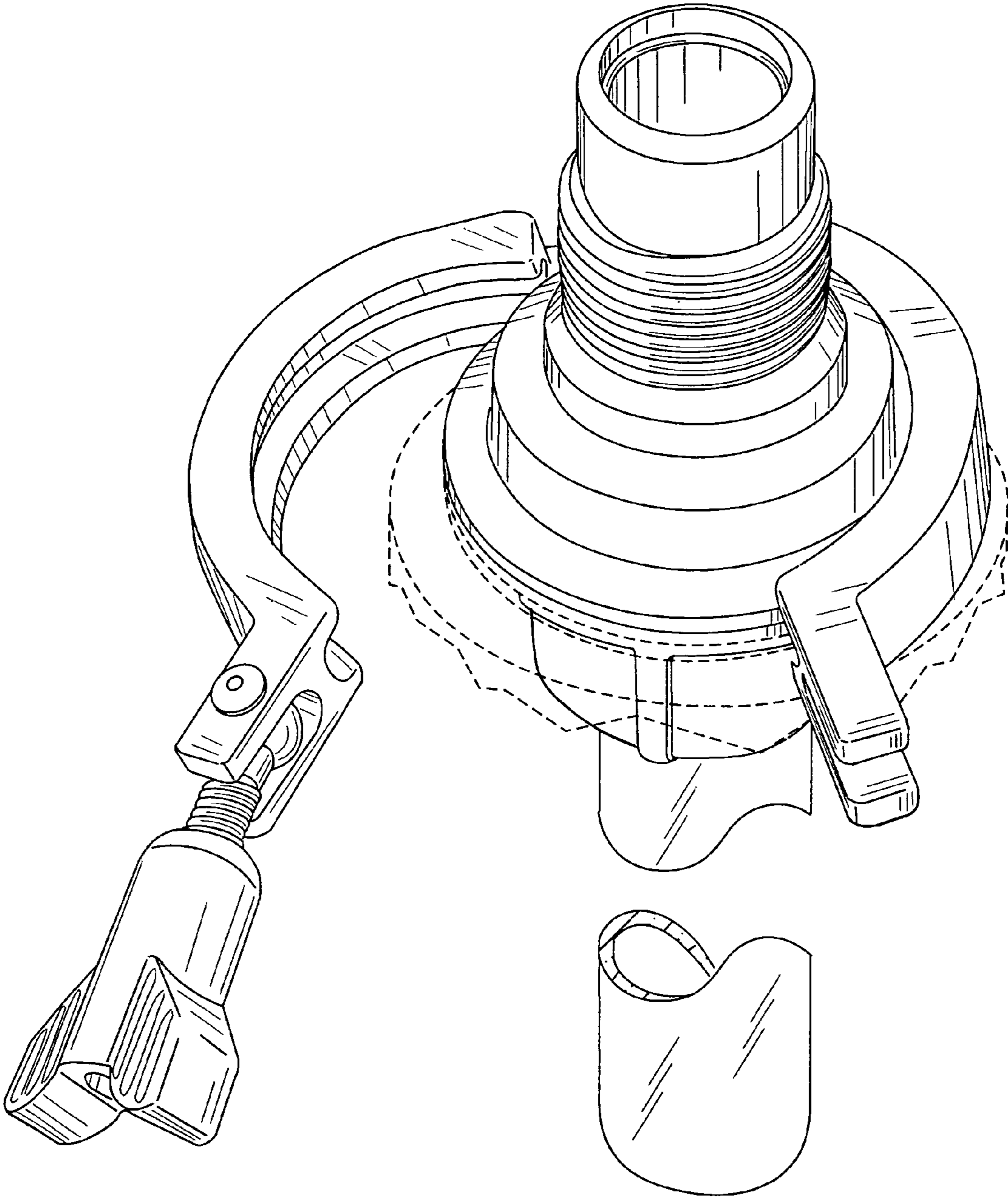


Fig. 2

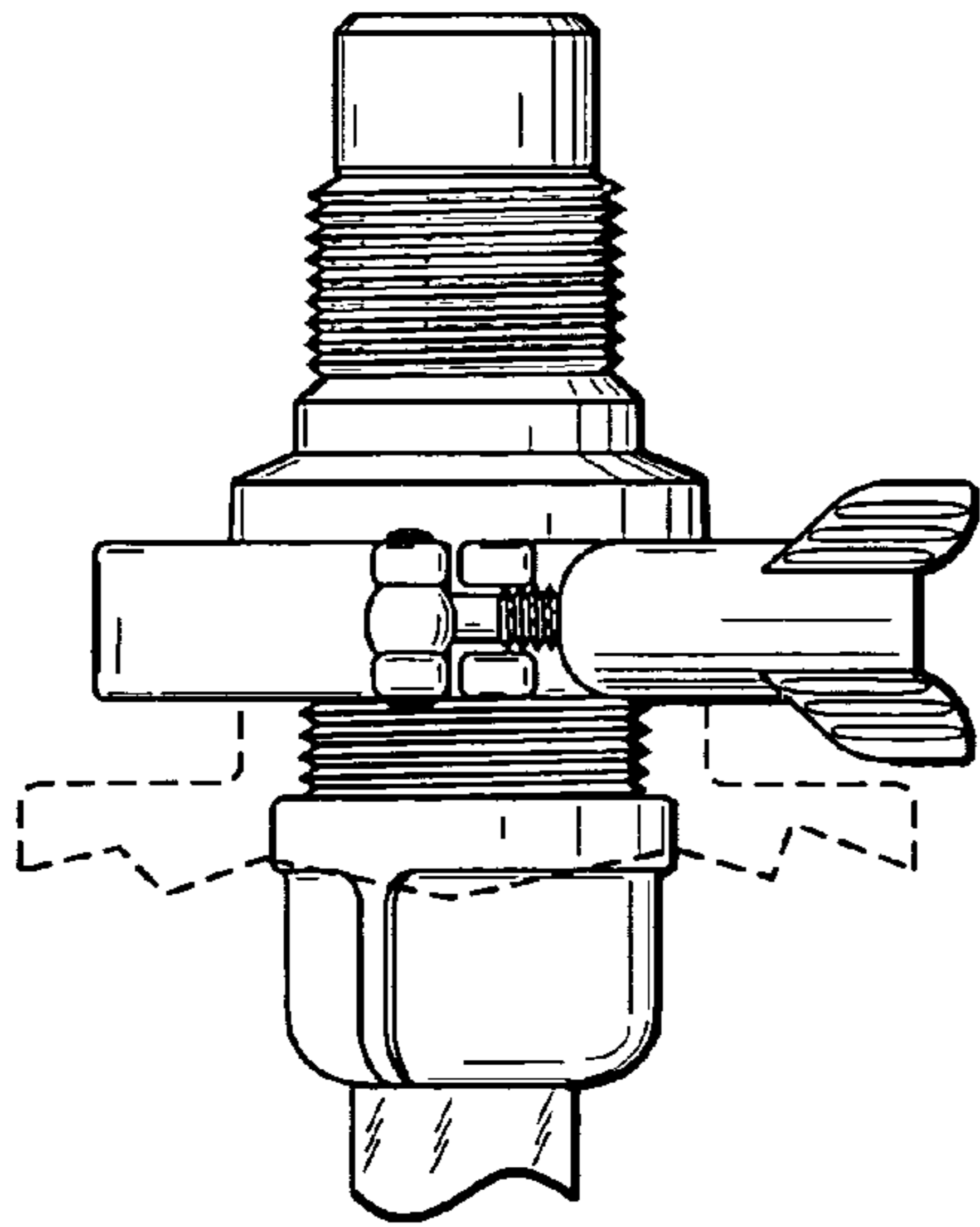


Fig. 3

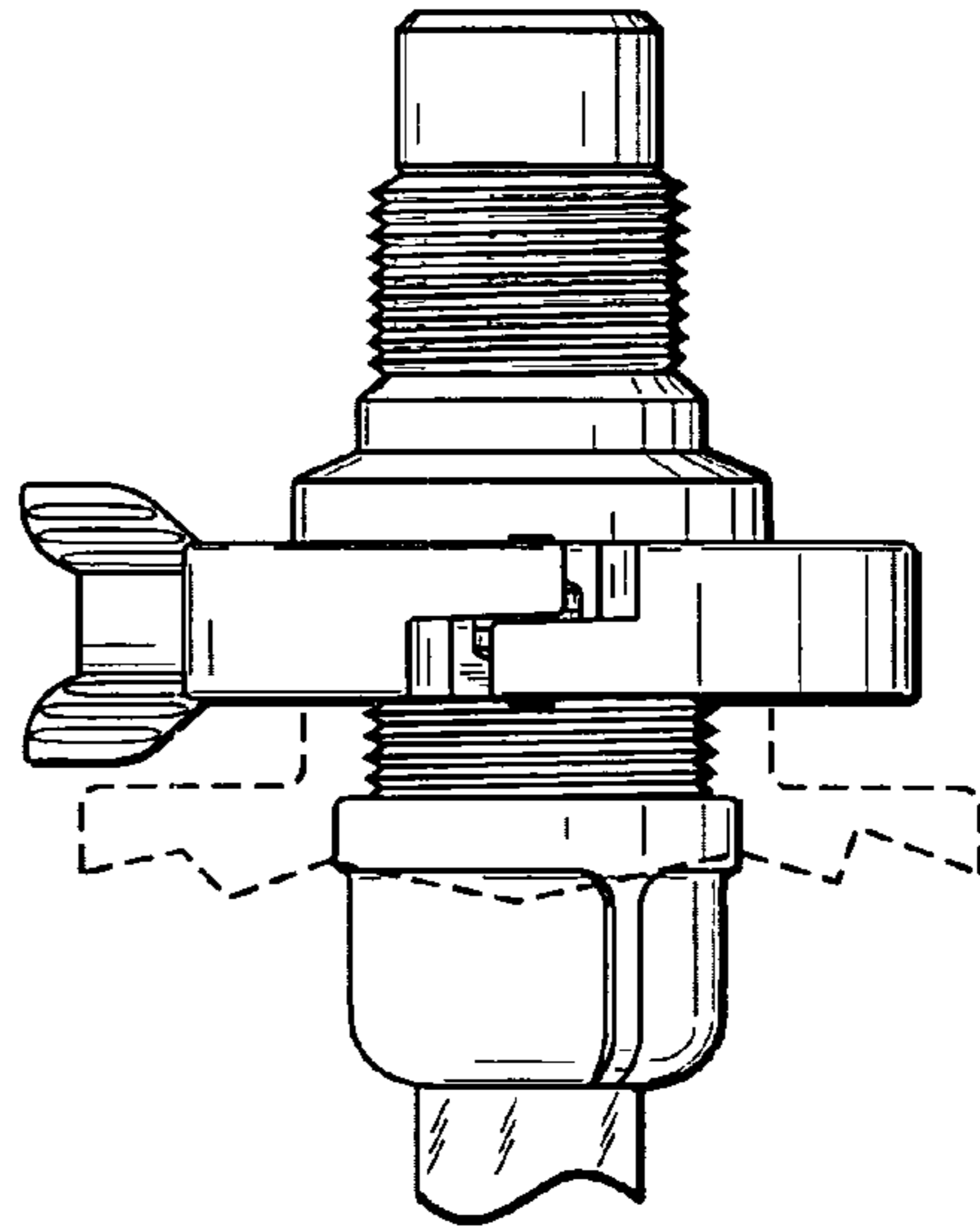


Fig. 4

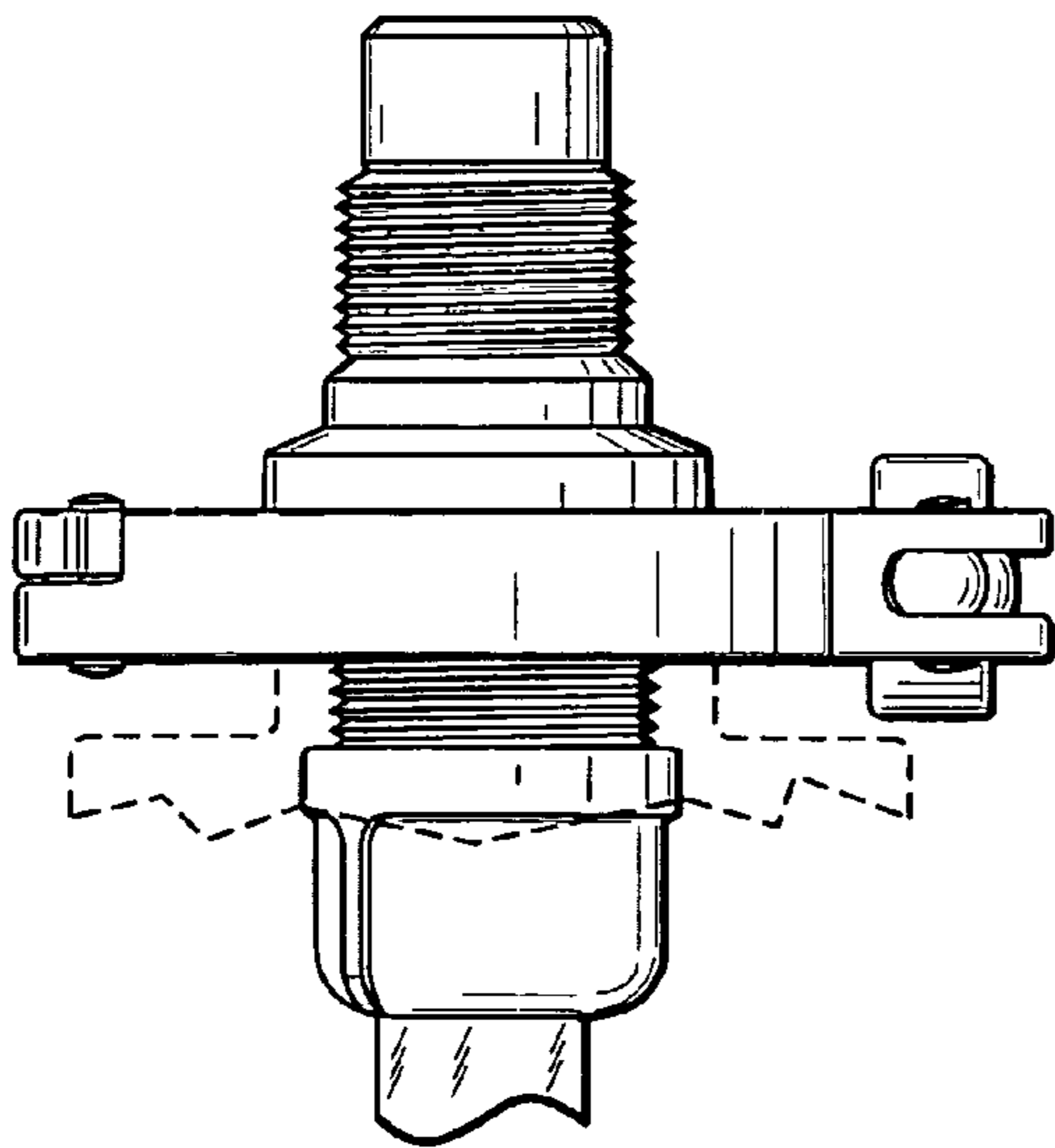


Fig. 5

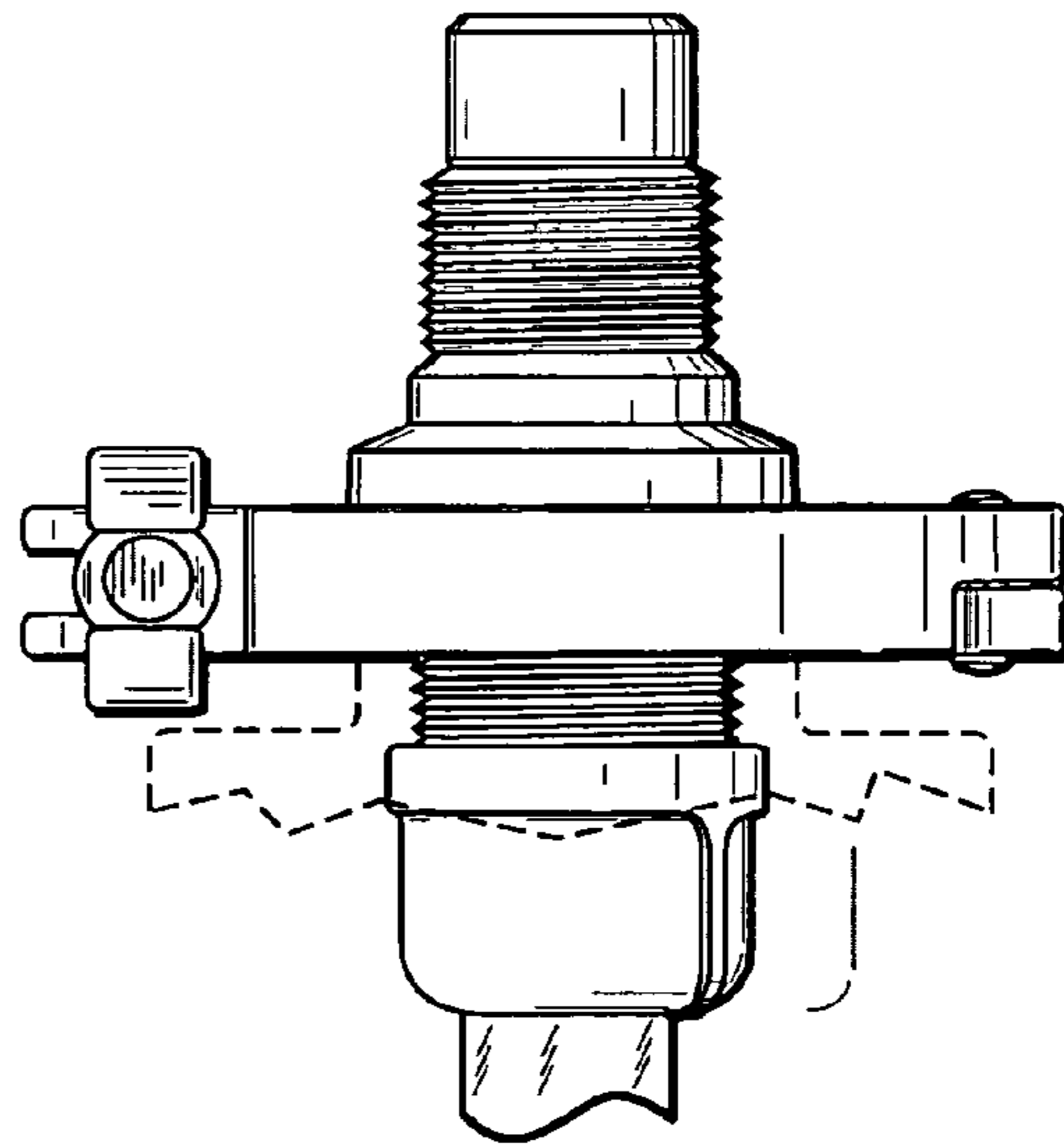


Fig. 6

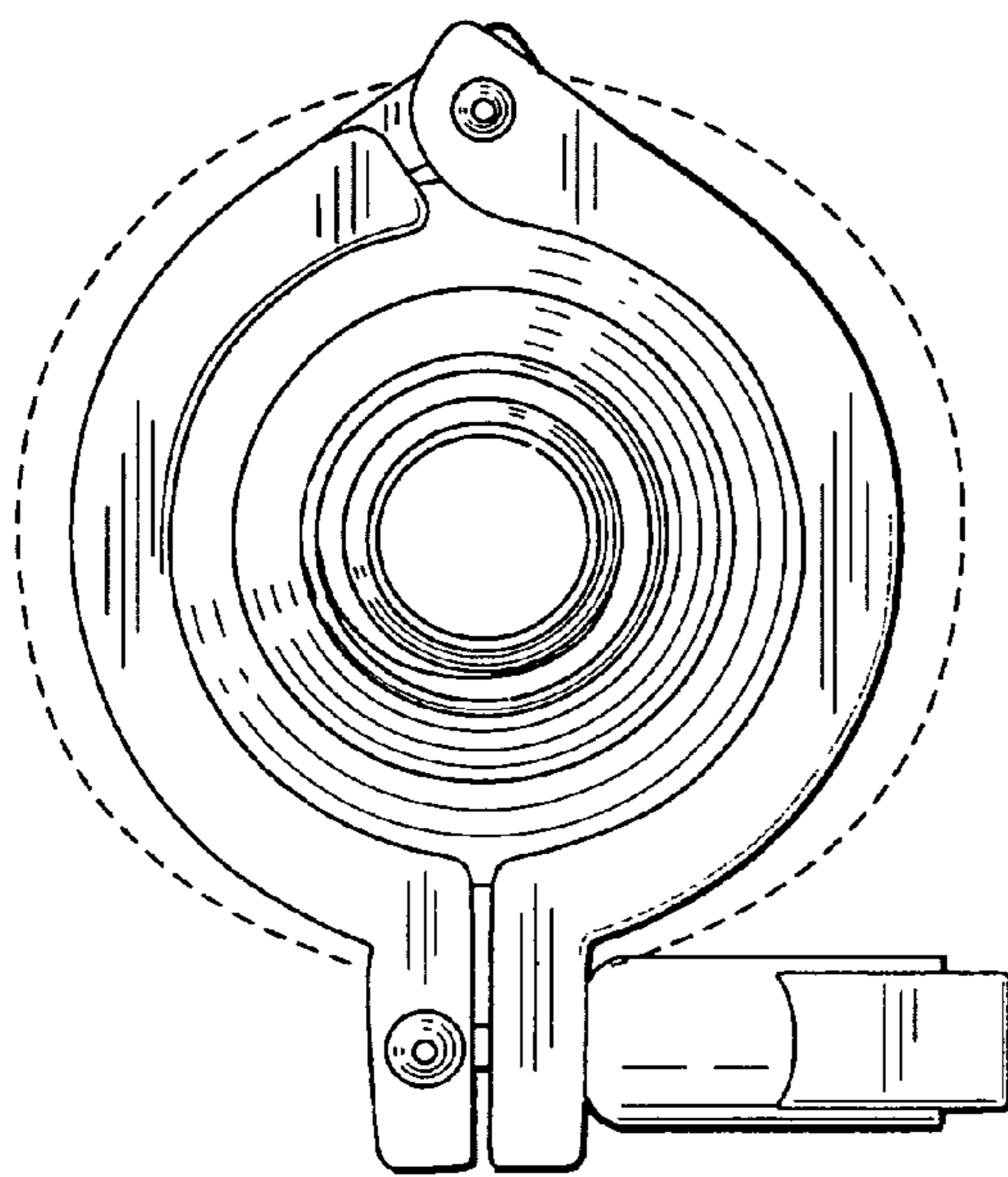


Fig. 7

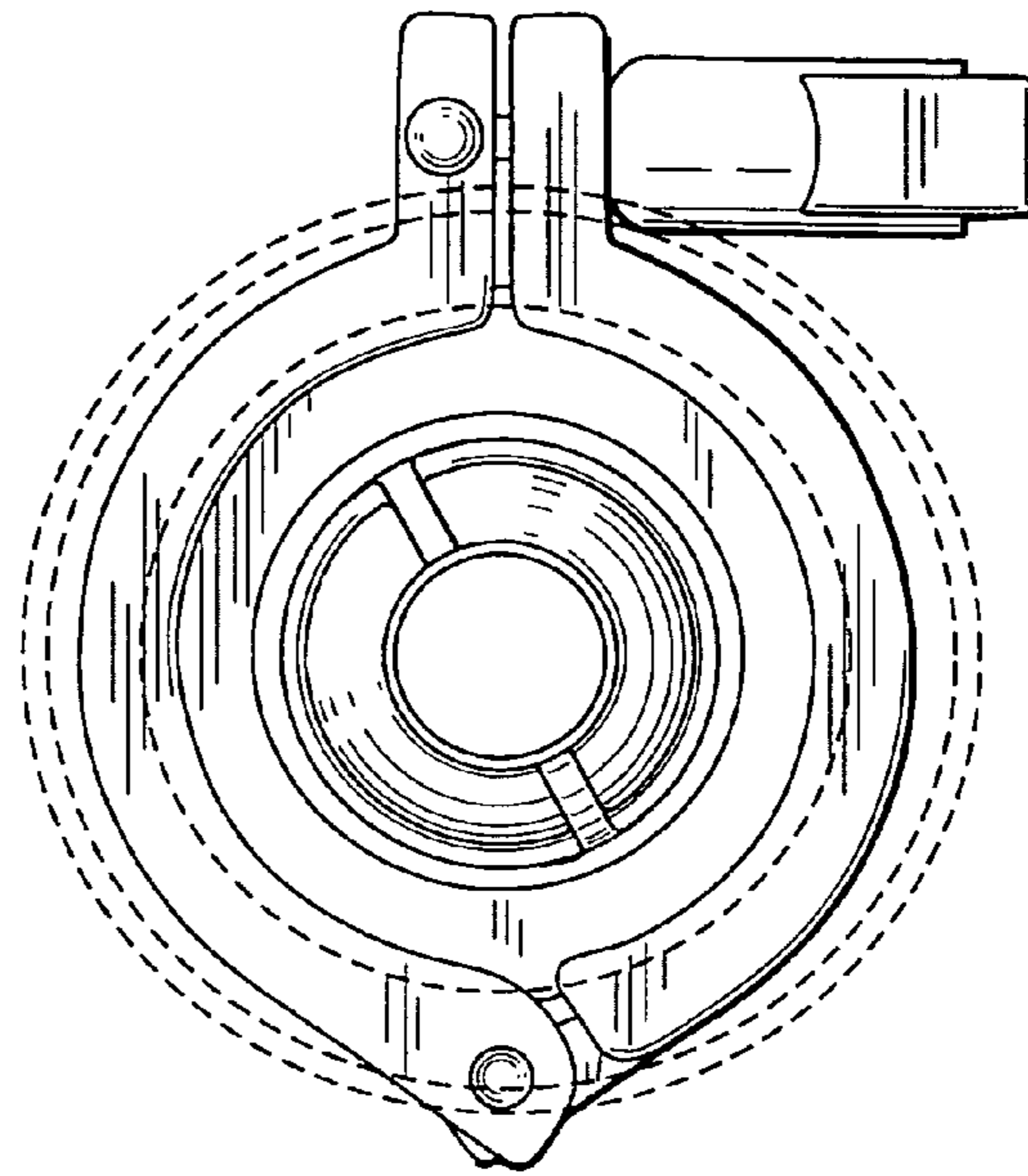


Fig. 8

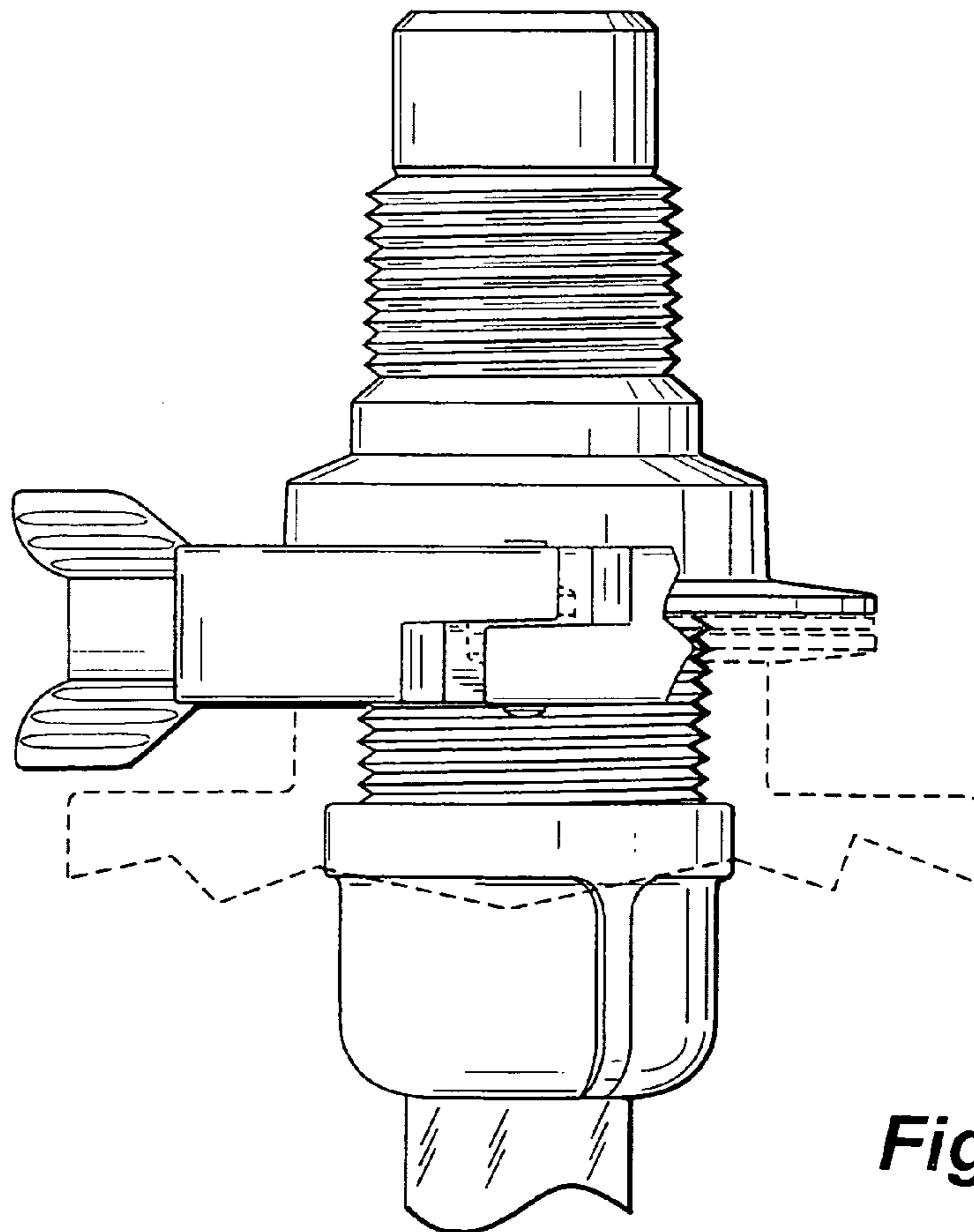


Fig. 9

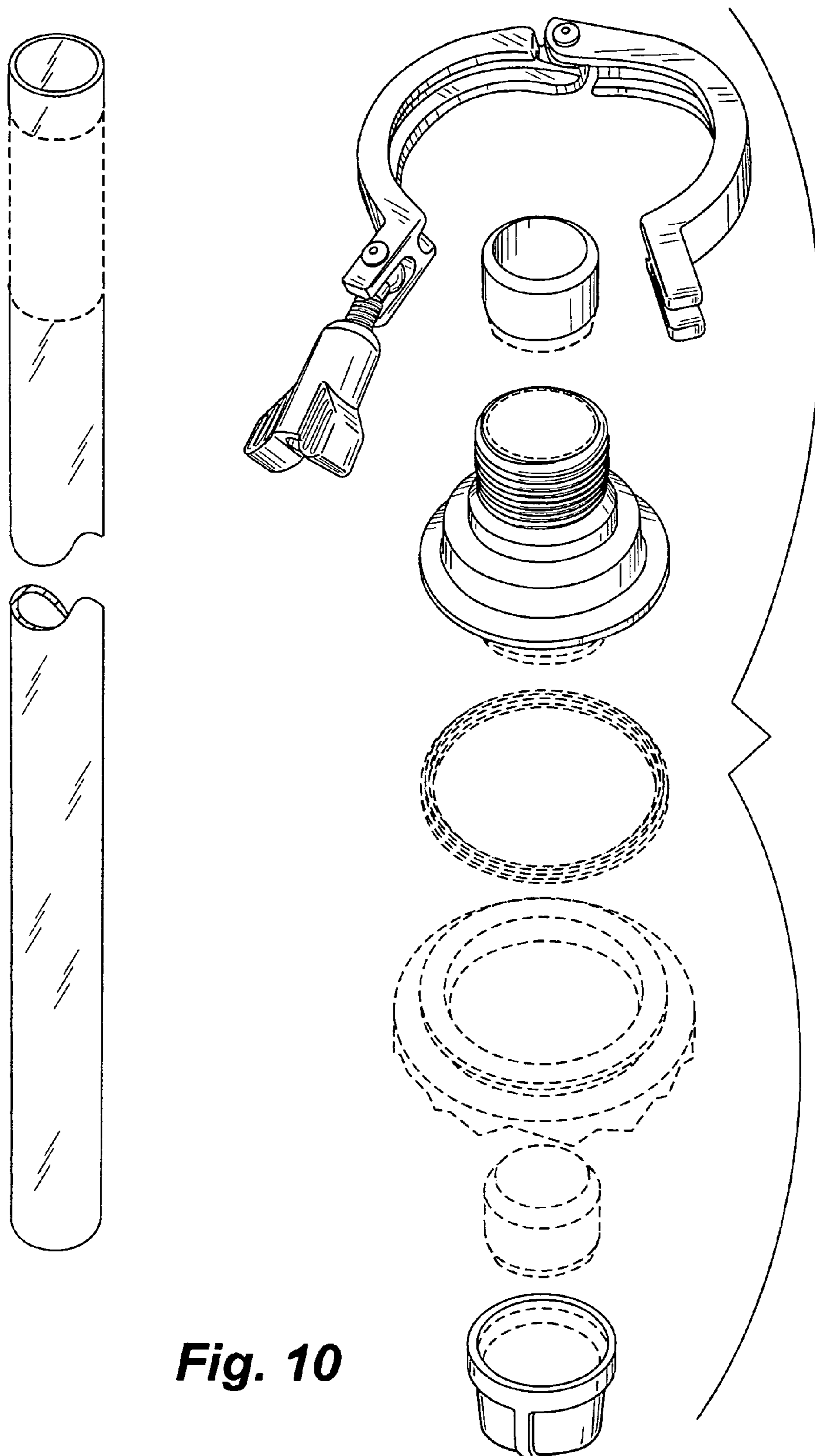


Fig. 10