

US00D644092S

(12) **United States Design Patent**
Matsubayashi

(10) **Patent No.:** **US D644,092 S**

(45) **Date of Patent:** **** Aug. 30, 2011**

(54) **SCREW**

(75) **Inventor:** **Kou Matsubayashi**, Nagoya (JP)

(73) **Assignee:** **Art Screw Co., Ltd.** (JP)

(**) **Term:** **14 Years**

(21) **Appl. No.:** **29/379,705**

(22) **Filed:** **Nov. 23, 2010**

(30) **Foreign Application Priority Data**

Jun. 18, 2010 (JP) 2010-014998

(51) **LOC (9) Cl.** **08-08**

(52) **U.S. Cl.** **D8/387**

(58) **Field of Classification Search** D8/387,
D8/388; 411/410, 378, 378.1, 419, 393,
411/402, 411, 417-418

See application file for complete search history.

(56) **References Cited**

U.S. PATENT DOCUMENTS

D242,117 S *	11/1976	Ono	D8/387
D242,118 S *	11/1976	Ono	D8/387
D242,323 S *	11/1976	Ono	D8/387
D397,030 S *	8/1998	Lawson	D8/387
D532,178 S *	11/2006	Martin	D34/31
D615,855 S *	5/2010	Gaudron et al.	D8/387
D622,582 S *	8/2010	Lottner et al.	D8/387
D631,736 S *	2/2011	You	D8/387

OTHER PUBLICATIONS

European Community Design Application for "Screw", filed Sep. 15, 2009.

Chinese Design Application for "Screws", filed Jun. 10, 2010.
Japanese Design Application No. 2009-029507 for "Screws", filed Dec. 18, 2009.

Japanese Design Application No. 2009-005984 for "Screws", filed Mar. 17, 2009.

Japanese Design Application No. 2009-005985 for "Screws", filed Mar. 17, 2009.

Japanese Design Application No. 2009-0005986 for "Screws", filed Mar. 17, 2009.

U.S. Appl. No. 29/354,993 for "Screw", filed Feb. 1, 2010.

U.S. Appl. No. 29/363,622 for "Screw", filed Jun. 11, 2010.

* cited by examiner

Primary Examiner — Holly Baynham

Assistant Examiner — Sheryl Lane

(74) *Attorney, Agent, or Firm* — SAIDMAN DesignLaw Group

(57) **CLAIM**

The ornamental design for a screw, as shown and described.

DESCRIPTION

FIG. 1 is a front view of a screw showing my new design;

FIG. 2 is a rear view thereof;

FIG. 3 is a left-side view thereof;

FIG. 4 is a right-side view thereof;

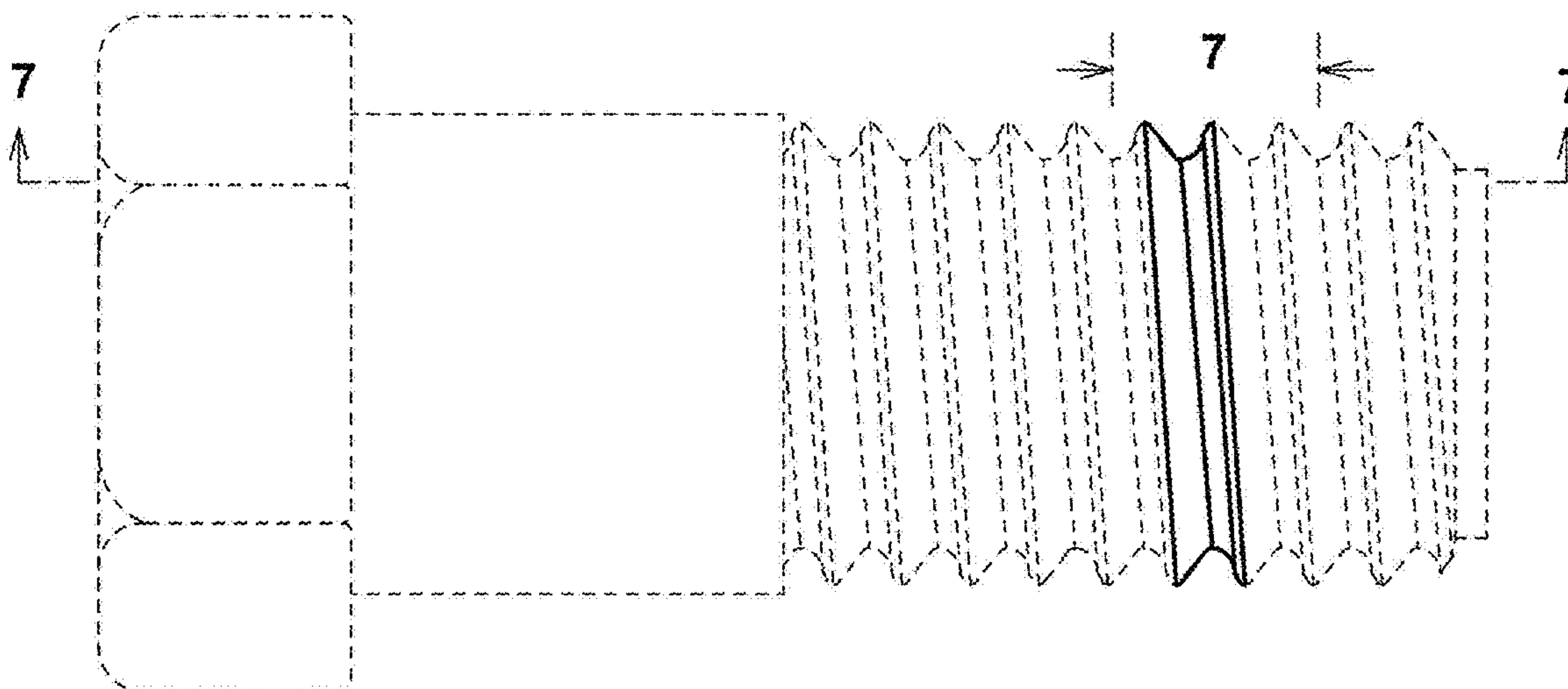
FIG. 5 is a top view thereof;

FIG. 6 is a bottom view thereof; and,

FIG. 7 is an enlarged partial sectional view taken along lines 7-7 of FIG. 1.

The broken line showing of the screw is intended for the purpose of showing environment and forms no part of the claimed design.

1 Claim, 4 Drawing Sheets



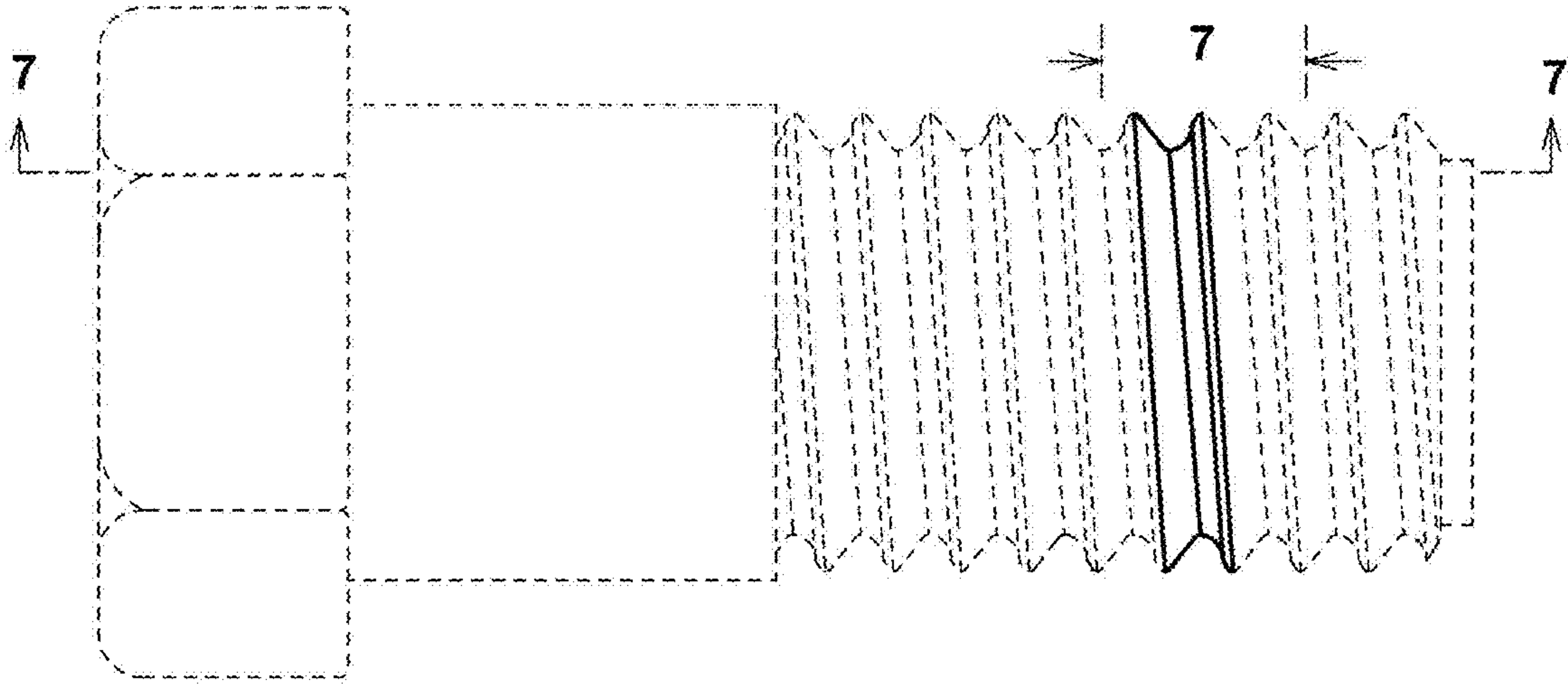


Fig. 1

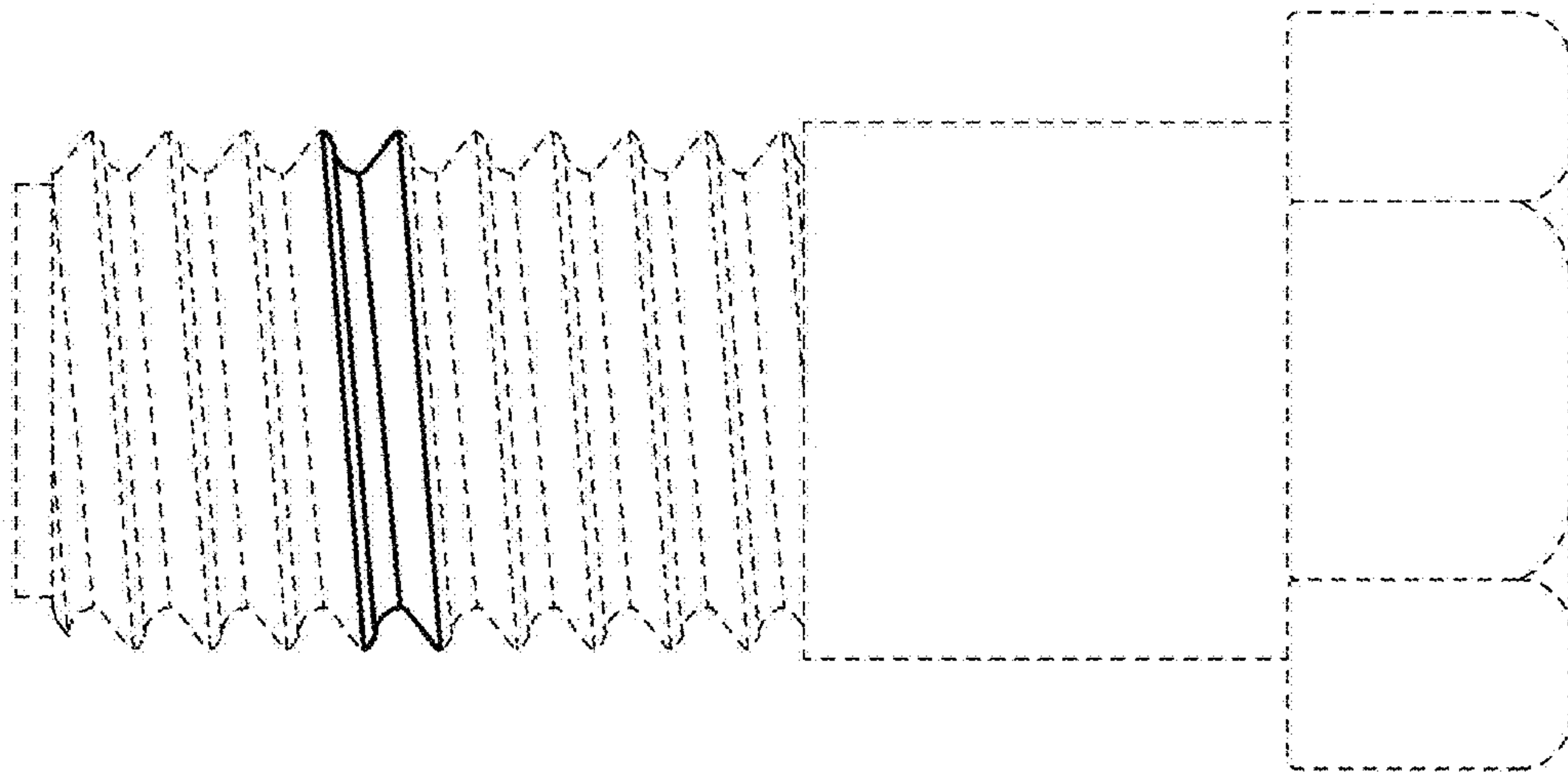


Fig. 2

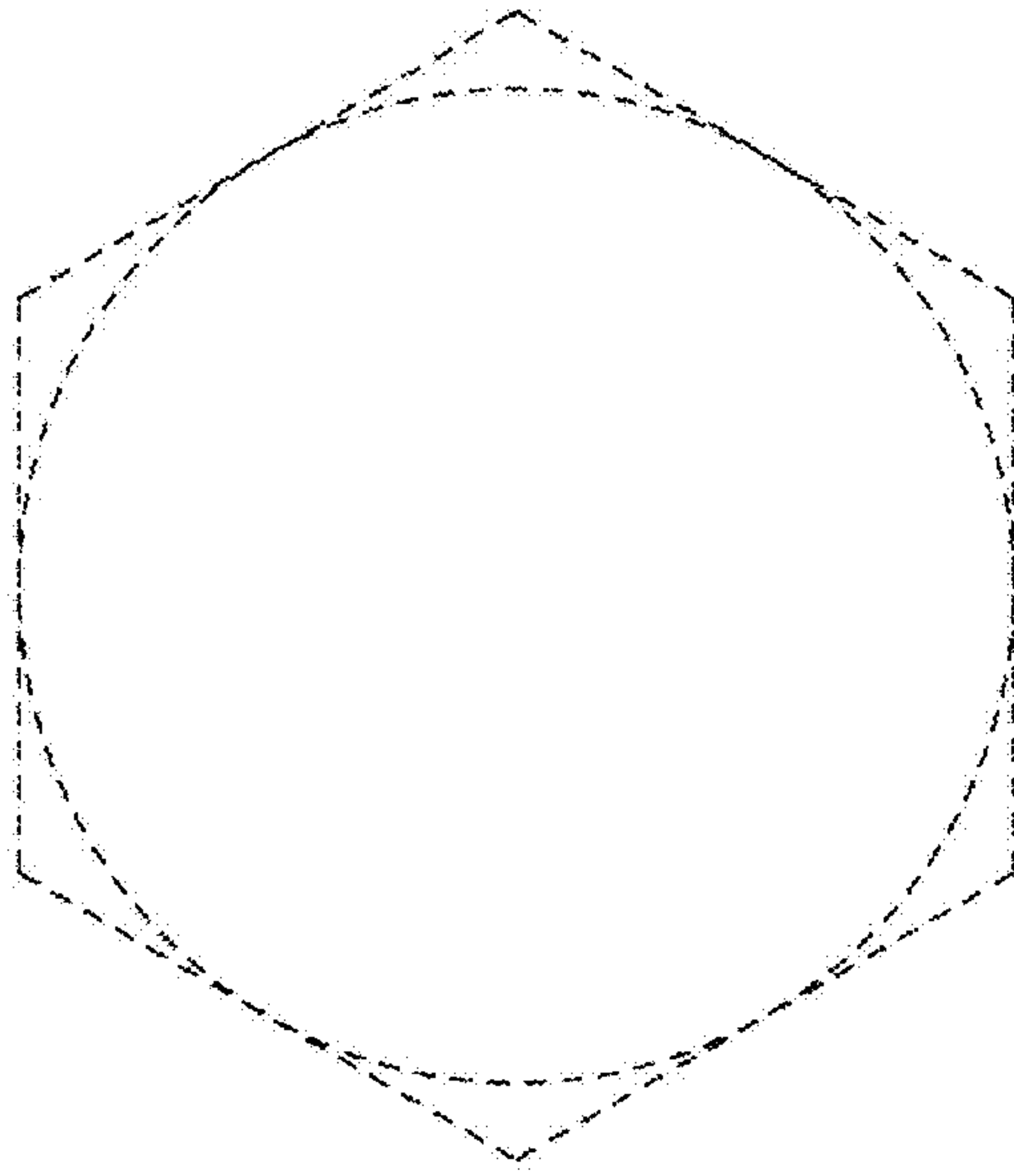


Fig. 3

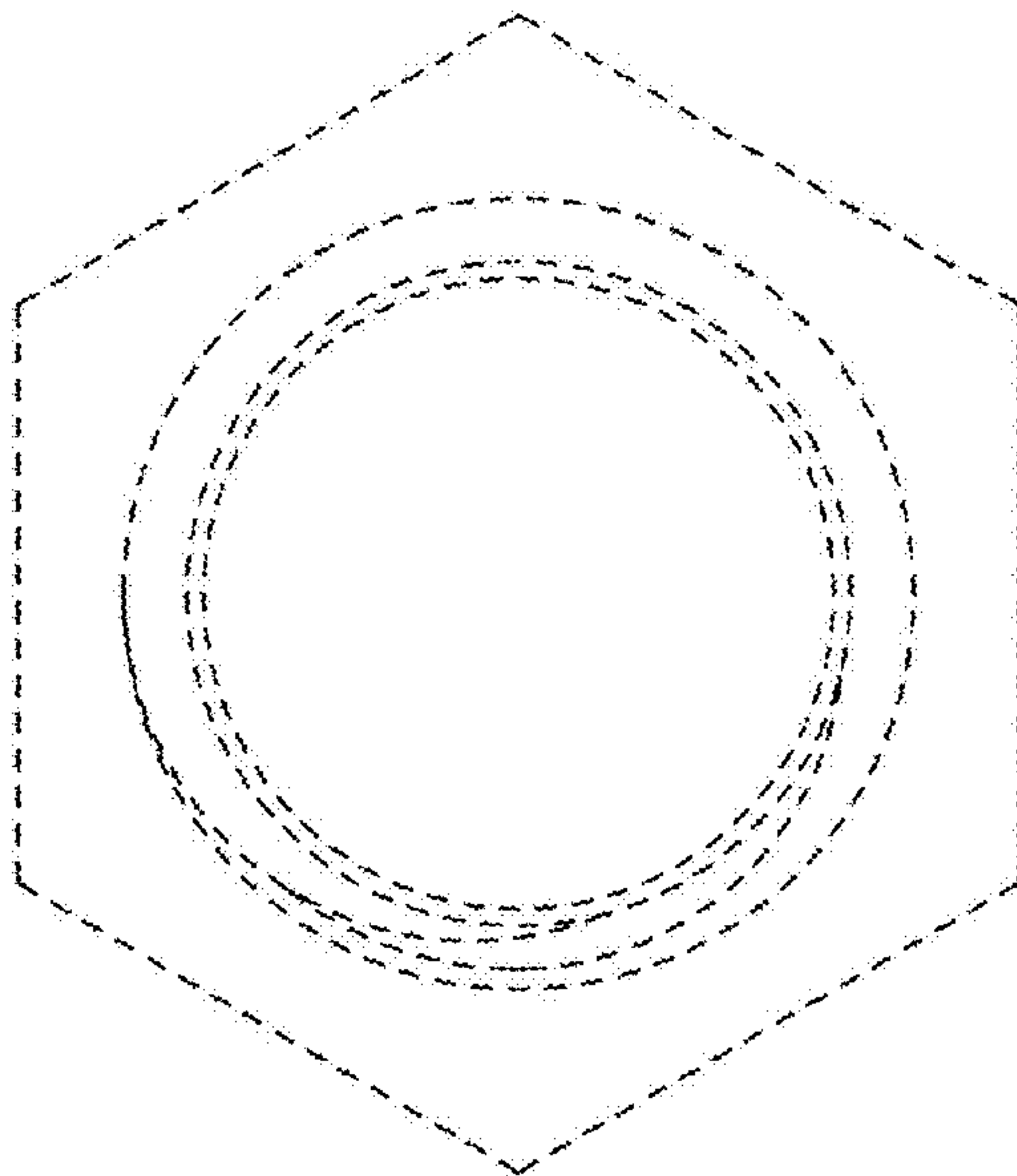


Fig. 4

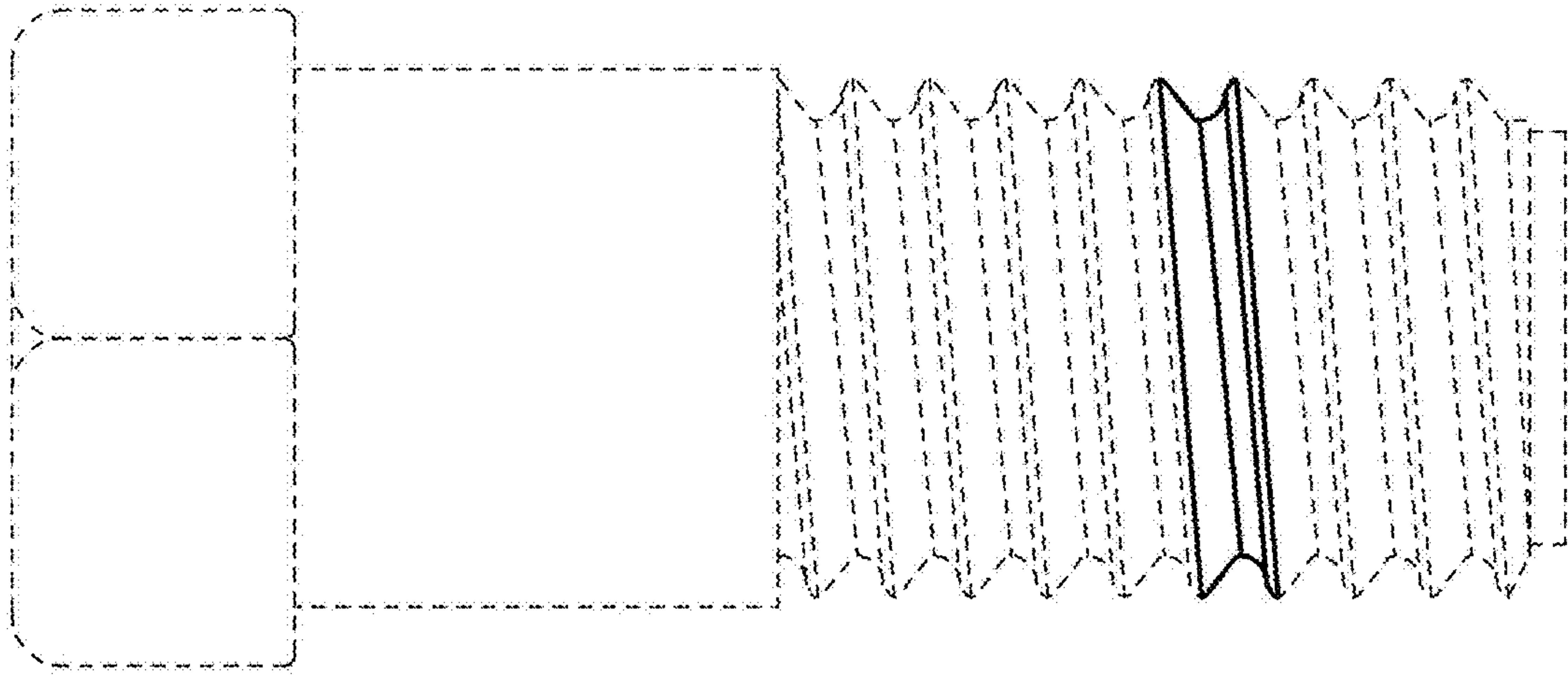


Fig. 5

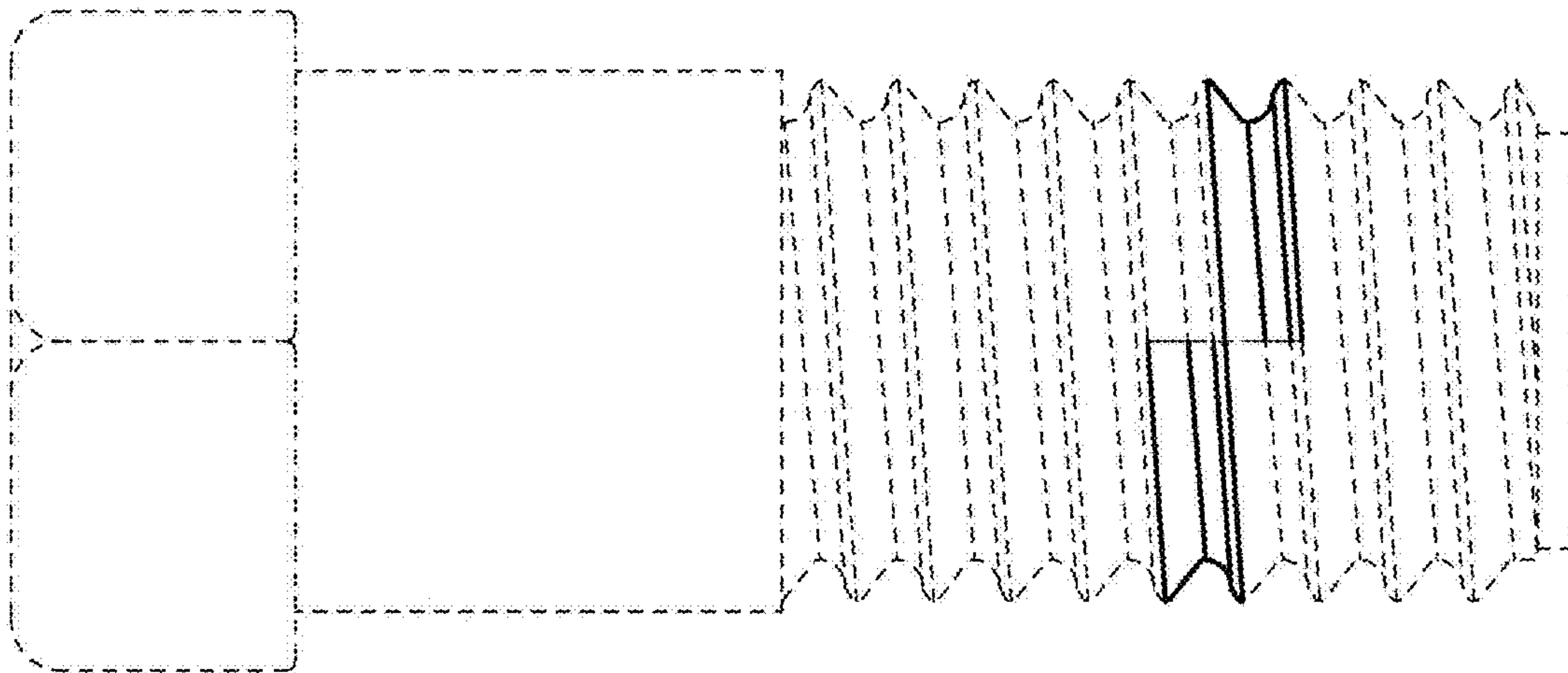


Fig. 6

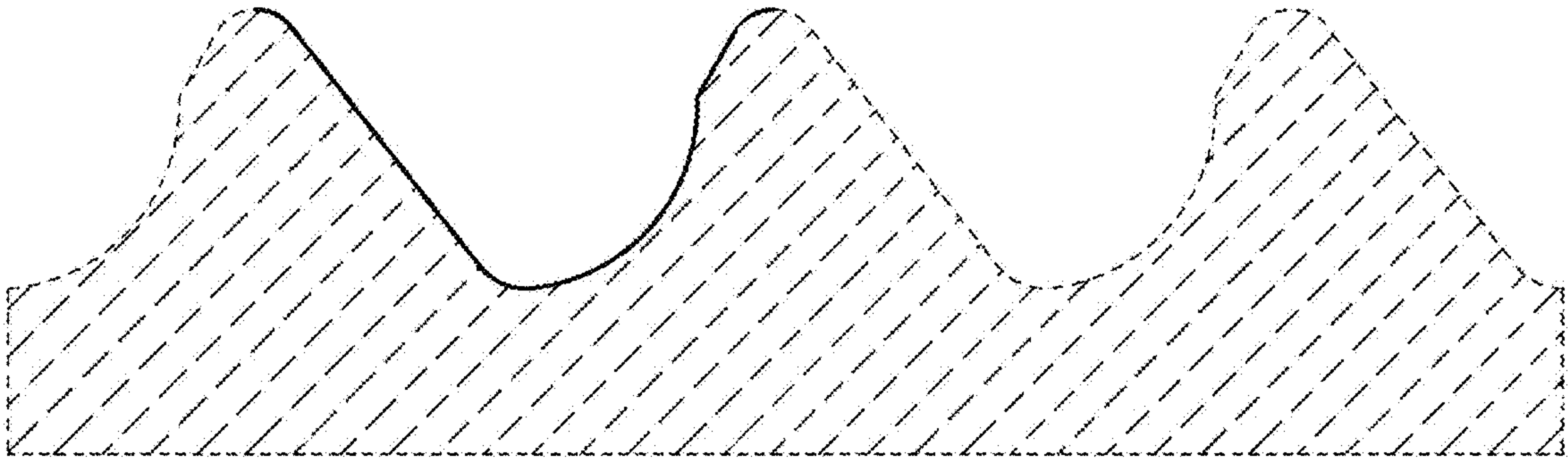


Fig. 7