

US00D644086S

(12) **United States Design Patent**
Herglotz et al.

(10) **Patent No.:** **US D644,086 S**

(45) **Date of Patent:** **** Aug. 30, 2011**

(54) **SLIDE DAMPER**

(75) Inventors: **Tibor Herglotz**, Kreuzau (DE); **Ingo Steinfeld**, Langenfeld (DE)

(73) Assignee: **Dr. Hahn GmbH & Co. LG**, Moenchengladbach (DE)

(**) Term: **14 Years**

(21) Appl. No.: **29/382,904**

(22) Filed: **Jan. 10, 2011**

(30) **Foreign Application Priority Data**

Jul. 12, 2010 (EP) 001730342

(51) **LOC (9) Cl.** **08-06**

(52) **U.S. Cl.** **D8/323; D8/399**

(58) **Field of Classification Search** D23/385-395, D23/397, 370-373, 365, 351, 354, 399-403, D23/421, 499, 209; 454/309, 275-277, 284, 454/287-291, 358-363, 354, 324, 335; 52/302.1, 52/32.07; 89/198; D8/323-329, 343, 354, D8/402, 356, 382, 399; 188/290, 82.1; D25/119; 261/94; 16/319, 82, 271, 238, 239, 241, 16/243, 245; 292/289; D32/61; 70/211
See application file for complete search history.

(56) **References Cited**

U.S. PATENT DOCUMENTS

2,909,983	A *	10/1959	Scheck et al.	454/324
3,979,997	A *	9/1976	Khaidurov et al.	89/198
D298,212	S *	10/1988	Gross	D8/354
D299,112	S *	12/1988	Downey	D8/354
D302,939	S *	8/1989	Ruskin	D8/402
D312,818	S *	12/1990	Bayat	D8/356
5,044,681	A *	9/1991	Neighbors	16/319
5,052,202	A *	10/1991	Murphy	70/211
D344,784	S *	3/1994	Swingle	D23/209
D379,298	S *	5/1997	Bowen et al.	D8/402

5,755,011	A	5/1998	Green et al.	
D397,025	S *	8/1998	Kosi	D8/343
D468,188	S *	1/2003	Foster, Jr.	D8/354
D471,793	S *	3/2003	Wall	D8/382
D472,455	S *	4/2003	Wall	D8/382
6,715,181	B1	4/2004	Fries	
D495,586	S *	9/2004	Caroll et al.	D8/354
6,910,557	B2 *	6/2005	Doornbos et al.	188/290
D508,740	S *	8/2005	Cole	D25/119
D510,699	S *	10/2005	Crain et al.	D8/354
6,959,468	B1 *	11/2005	Danger	454/335
D536,101	S *	1/2007	Schrader	D25/119
D537,535	S *	2/2007	Decicio	D25/119
7,246,795	B2 *	7/2007	Niknafs et al.	261/94
7,350,629	B2 *	4/2008	Anton et al.	188/82.1
D574,073	S *	7/2008	Ramenzoni	D23/365
D603,694	S *	11/2009	Bushey	D8/402
D635,453	S *	4/2011	Giles	D8/402

FOREIGN PATENT DOCUMENTS

DE	21 21 629	A	6/1972
EP	0 420 685	A1	4/1991
EP	0 612 905	A2	8/1994
WO	WO 99/61738	A2	12/1999

* cited by examiner

Primary Examiner — David Muller

(74) *Attorney, Agent, or Firm* — Morman B. Thot

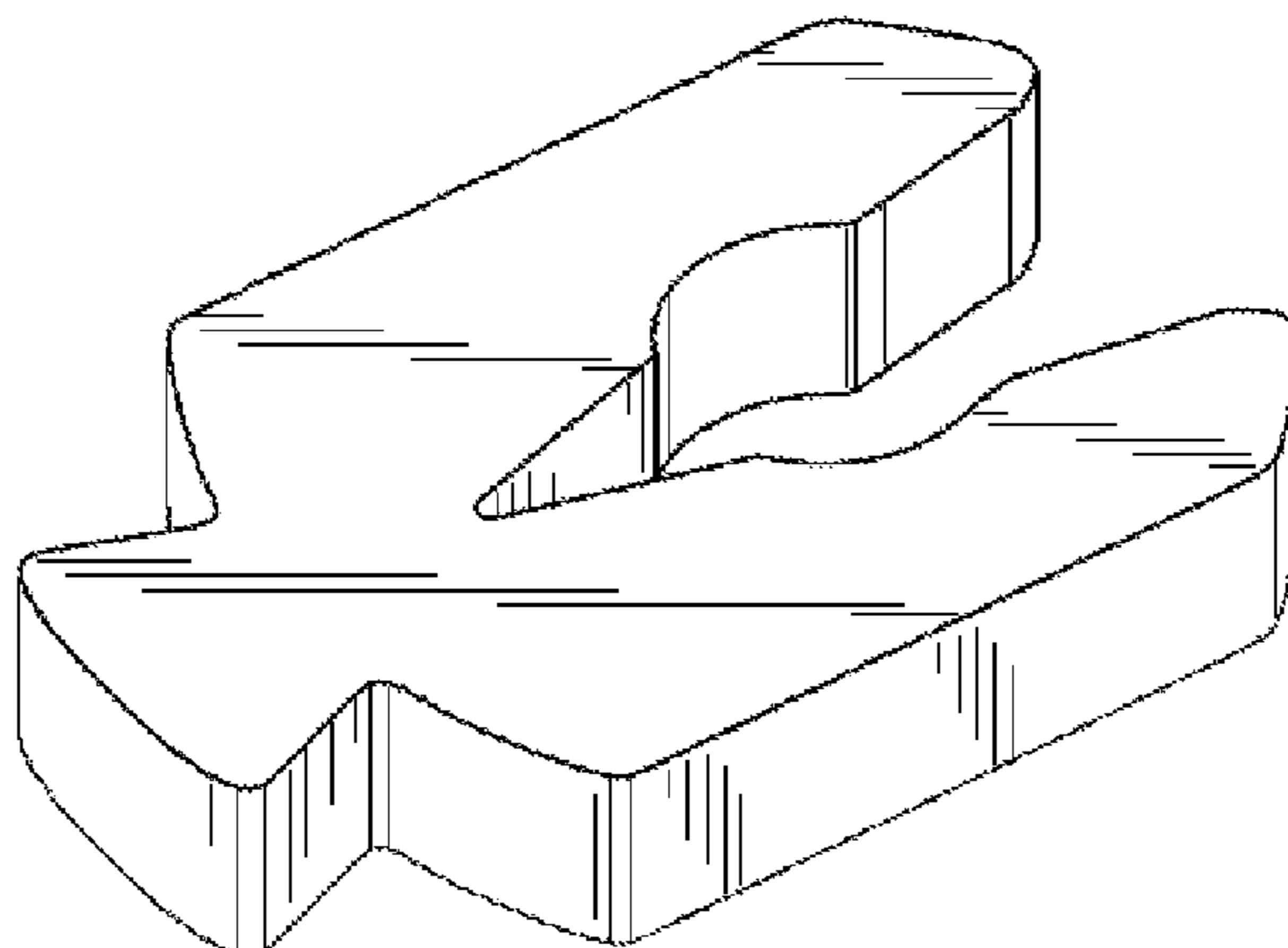
(57) **CLAIM**

The ornamental design for a slide damper, as shown and described.

DESCRIPTION

FIG. 1 is a top, left, side perspective view of the slide damper showing our new design;
FIG. 2 is a bottom, right, side perspective view thereof;
FIG. 3 is a side view thereof;
FIG. 4 is top view thereof;
FIG. 5 is a bottom view thereof;
FIG. 6 is a right side view thereof; and,
FIG. 7 is a left side view thereof.

1 Claim, 2 Drawing Sheets



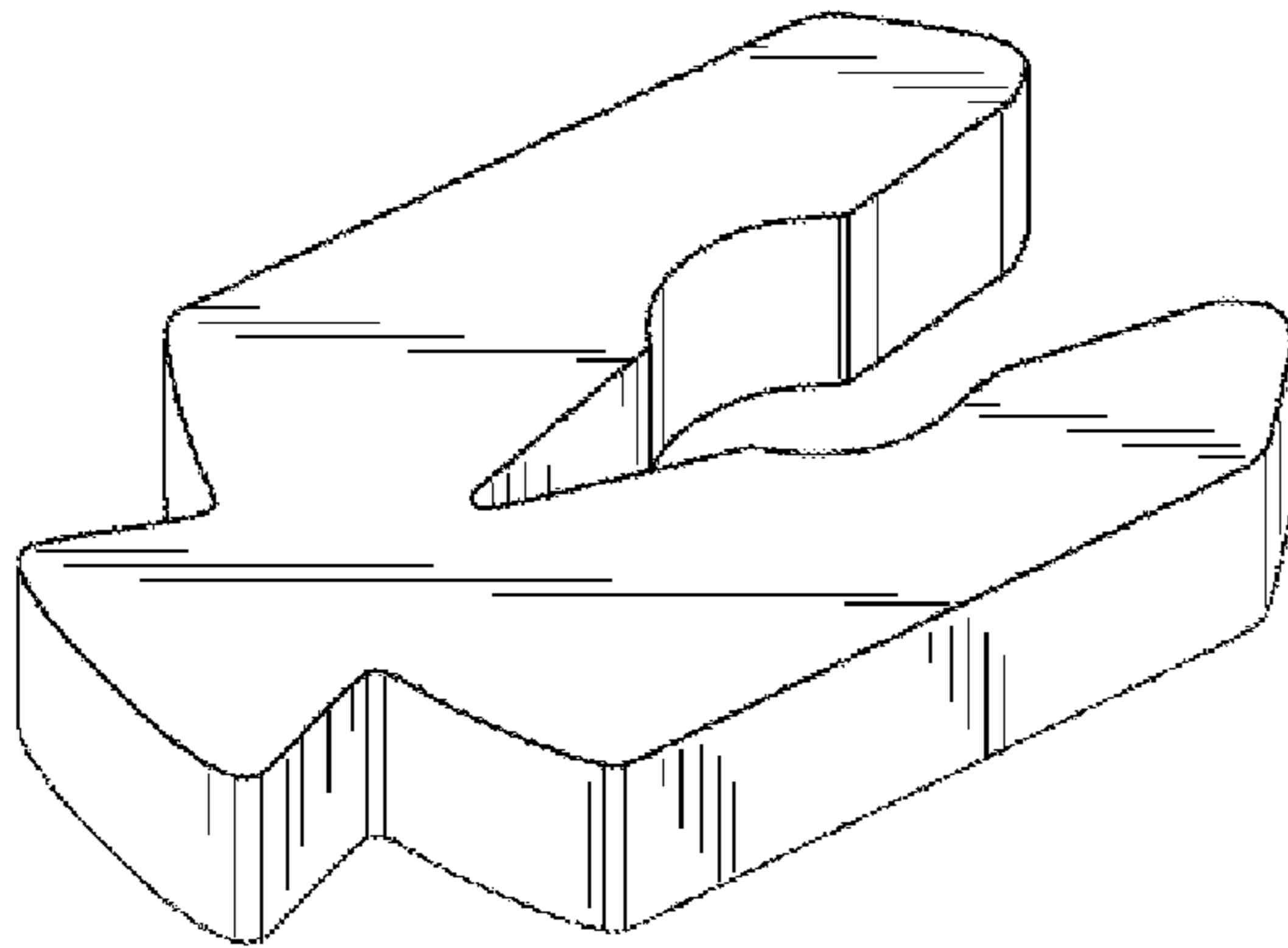


Fig. 1

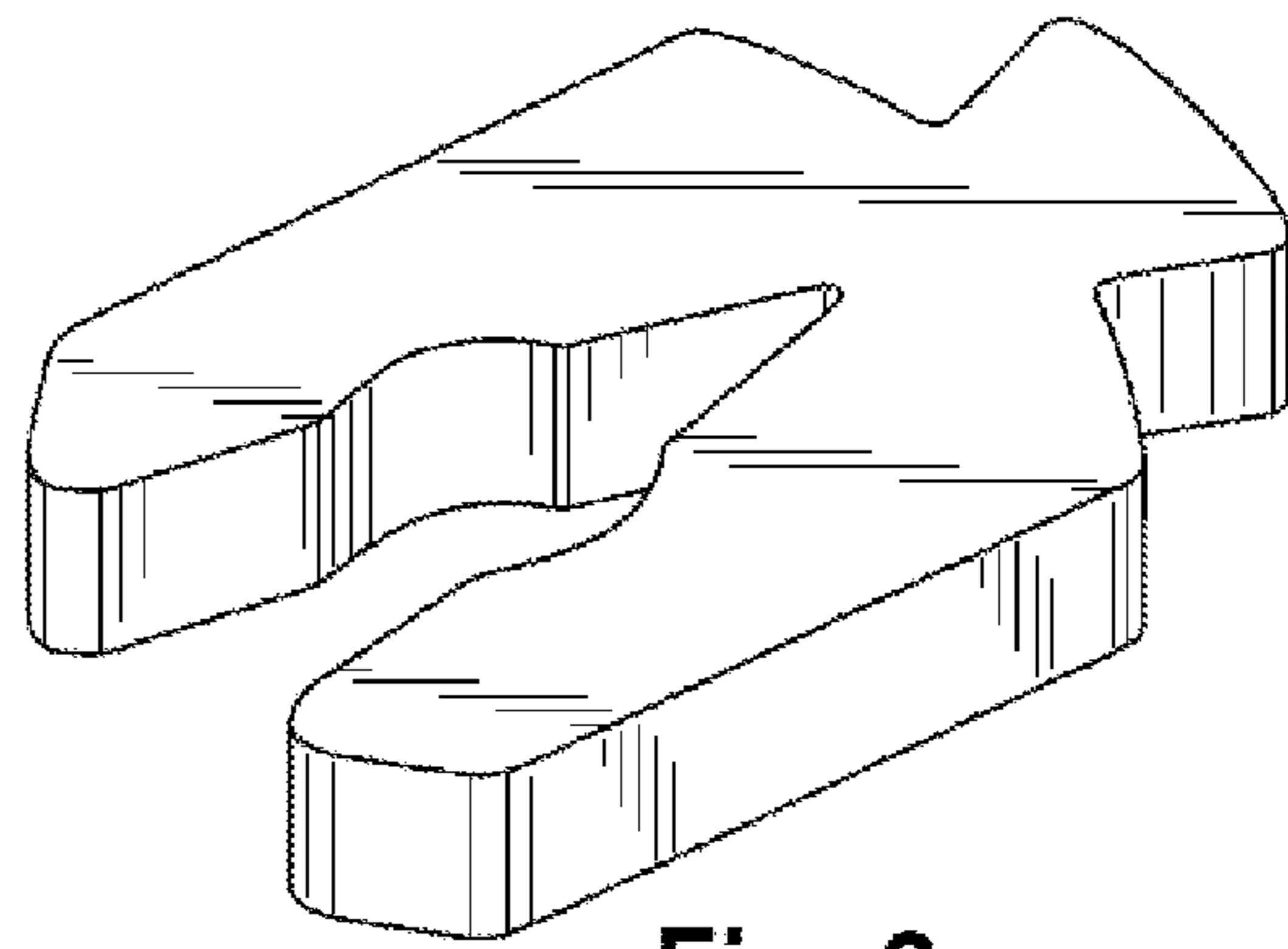


Fig. 2

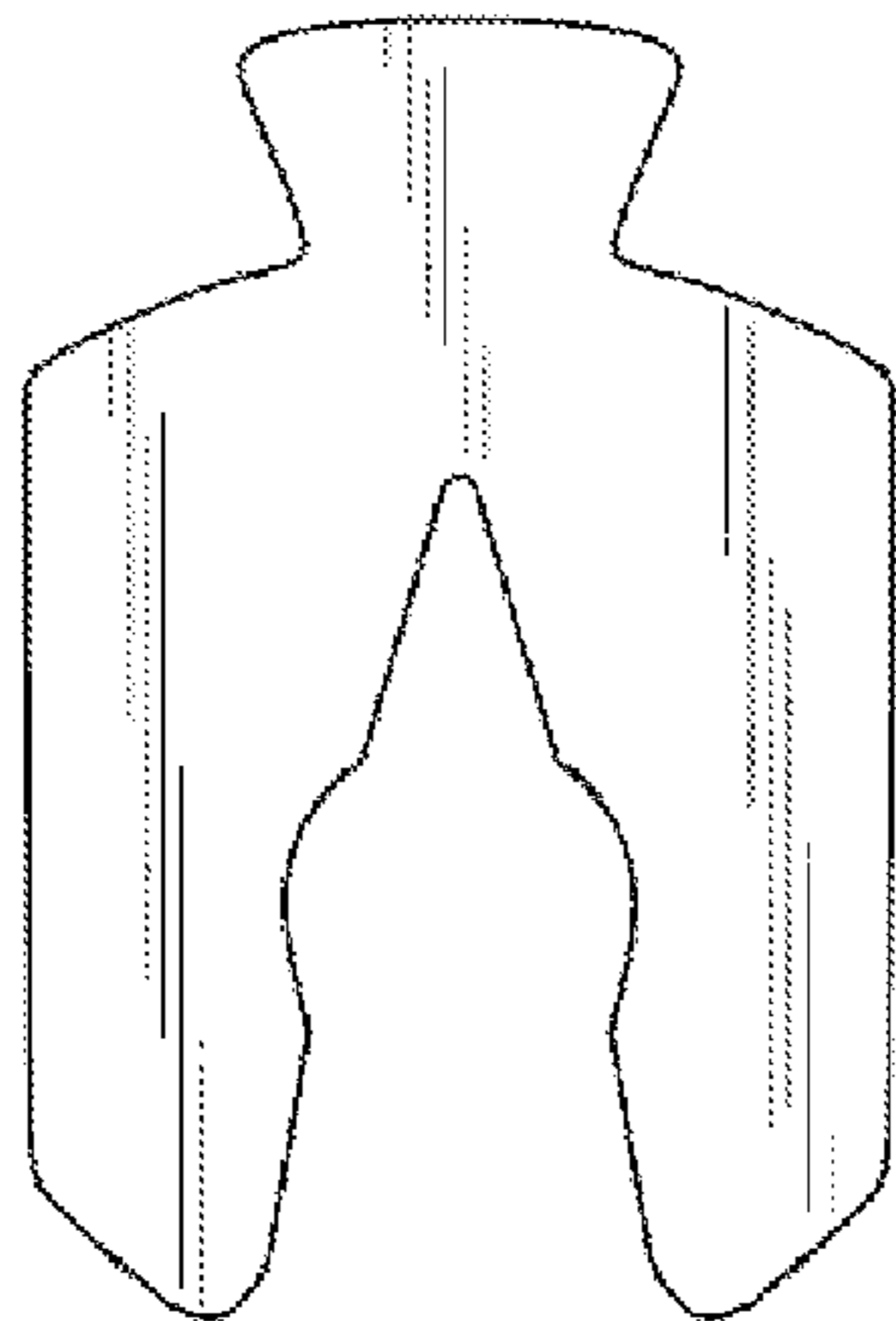


Fig. 3



Fig. 4

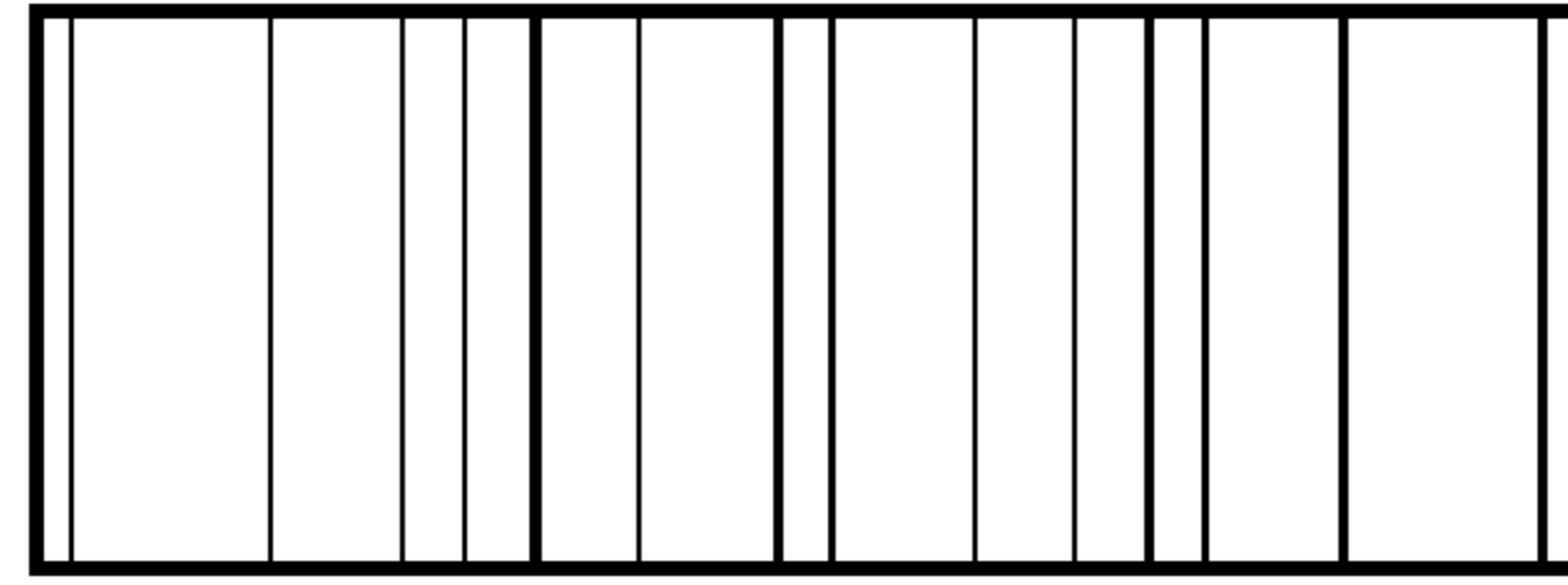


Fig. 5

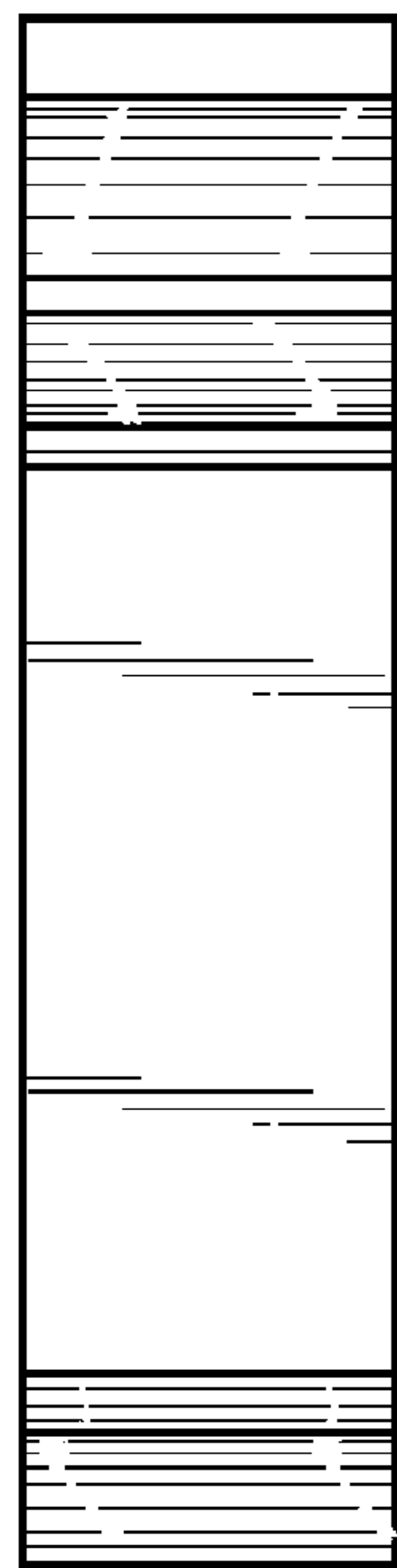


Fig. 6

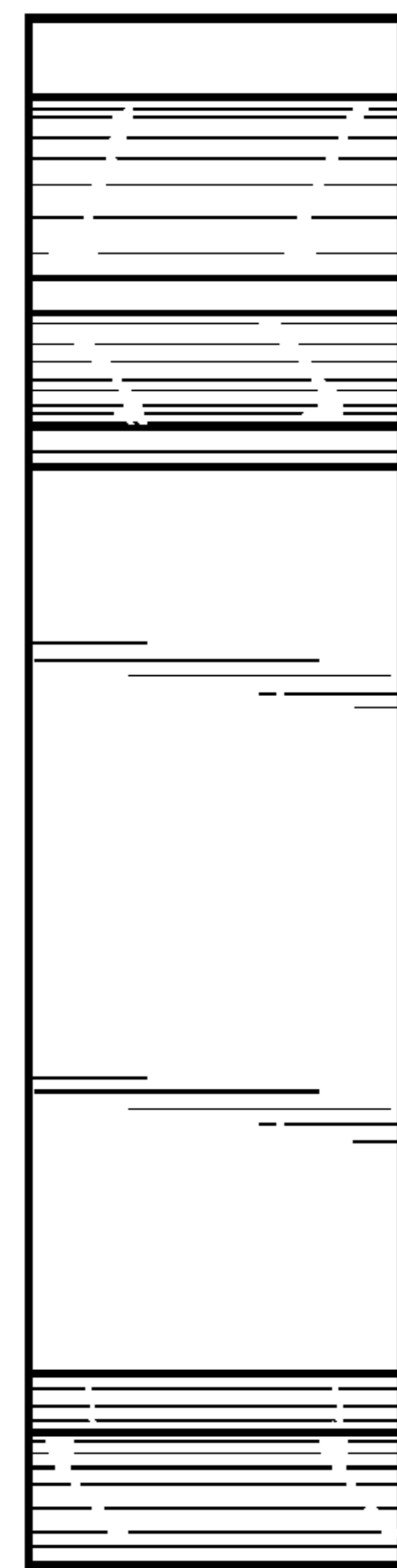


Fig. 7