



US00D644085S

(12) **United States Design Patent**
Jungen

(10) **Patent No.:** **US D644,085 S**

(45) **Date of Patent:** **** Aug. 30, 2011**

(54) **TENSION HANDLE**

(75) Inventor: **Walter Jungen**, Adliswil (CH)

(73) Assignee: **Baitella AG**, Zurich (CH)

(**) Term: **14 Years**

(21) Appl. No.: **29/367,679**

(22) Filed: **Aug. 11, 2010**

(30) **Foreign Application Priority Data**

Feb. 11, 2010 (WO) 534518901

(51) **LOC (9) Cl.** **08-06**

(52) **U.S. Cl.** **D8/307**

(58) **Field of Classification Search** D8/307,
D8/300, 303, 305, 310, 311, 315, 316, 394,
D8/395, 396, 397; D7/393, 395, 396, 405;
D13/173, 174; D23/249, 250, 252; 4/355,
4/369, 675, 676, 678, 679; 5/503.1; 16/110.1,
16/111.1, 417, 430; 248/534, 541

See application file for complete search history.

(56) **References Cited**

U.S. PATENT DOCUMENTS

D127,735 S * 6/1941 Dreyfuss D23/250
D190,597 S * 6/1961 Nelson D8/307
D269,409 S * 6/1983 Ferdinand et al. D8/307
5,355,539 A * 10/1994 Boettger 5/503.1
D409,156 S * 5/1999 Taylor et al. D13/174

D434,115 S * 11/2000 Meda D23/252
D434,475 S * 11/2000 Meda D23/252
D462,111 S * 8/2002 Turnau et al. D23/252
D464,248 S * 10/2002 Laabs et al. D8/343
D464,249 S * 10/2002 Laabs et al. D8/343

OTHER PUBLICATIONS

Document VP.639, Elesa Original design, mechanical data and model specification sheet for Three-arm knobs, Elesa, Via Pompei 29, 20052 Monza (Milan) Italy.

Baitella AG BMPle, Fisso Swiss Made product brochure with mechanical data and model specification sheet, Baitella AG, Thurgauerstrasse 70, CH-8050, Zurich, Switzerland (Oct. 2007).

* cited by examiner

Primary Examiner — Stella Reid

Assistant Examiner — Derrick Holland

(74) *Attorney, Agent, or Firm* — Browdy and Neimark

(57) **CLAIM**

The ornamental design for a tension handle, as shown and described.

DESCRIPTION

FIG. 1 is a top perspective view of a tension handle;
FIG. 2 is a bottom perspective view thereof;
FIG. 3 is a top view thereof; and,
FIG. 4 is a side view thereof looking from the left of FIG. 3.

1 Claim, 4 Drawing Sheets

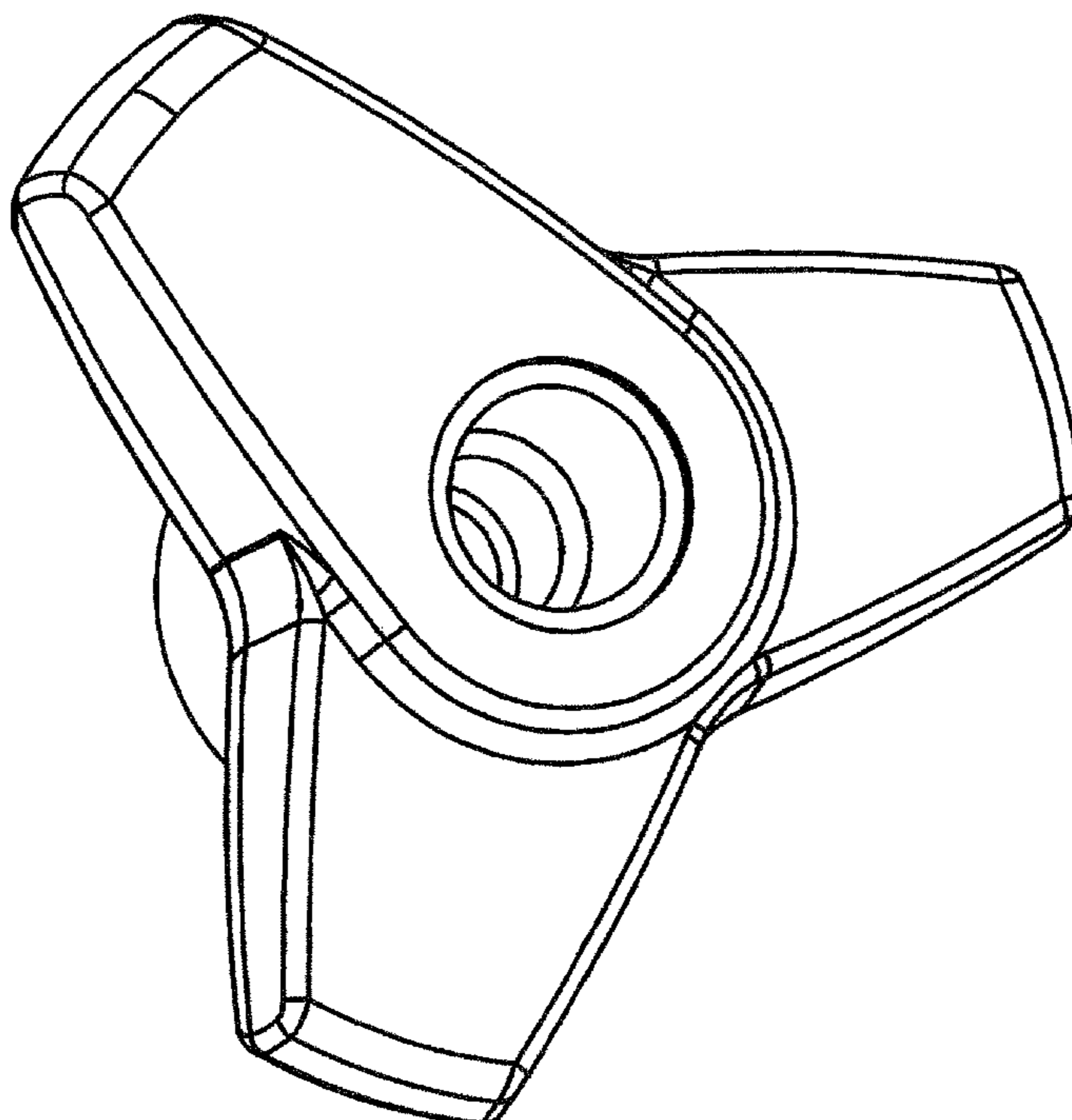


Fig. 1

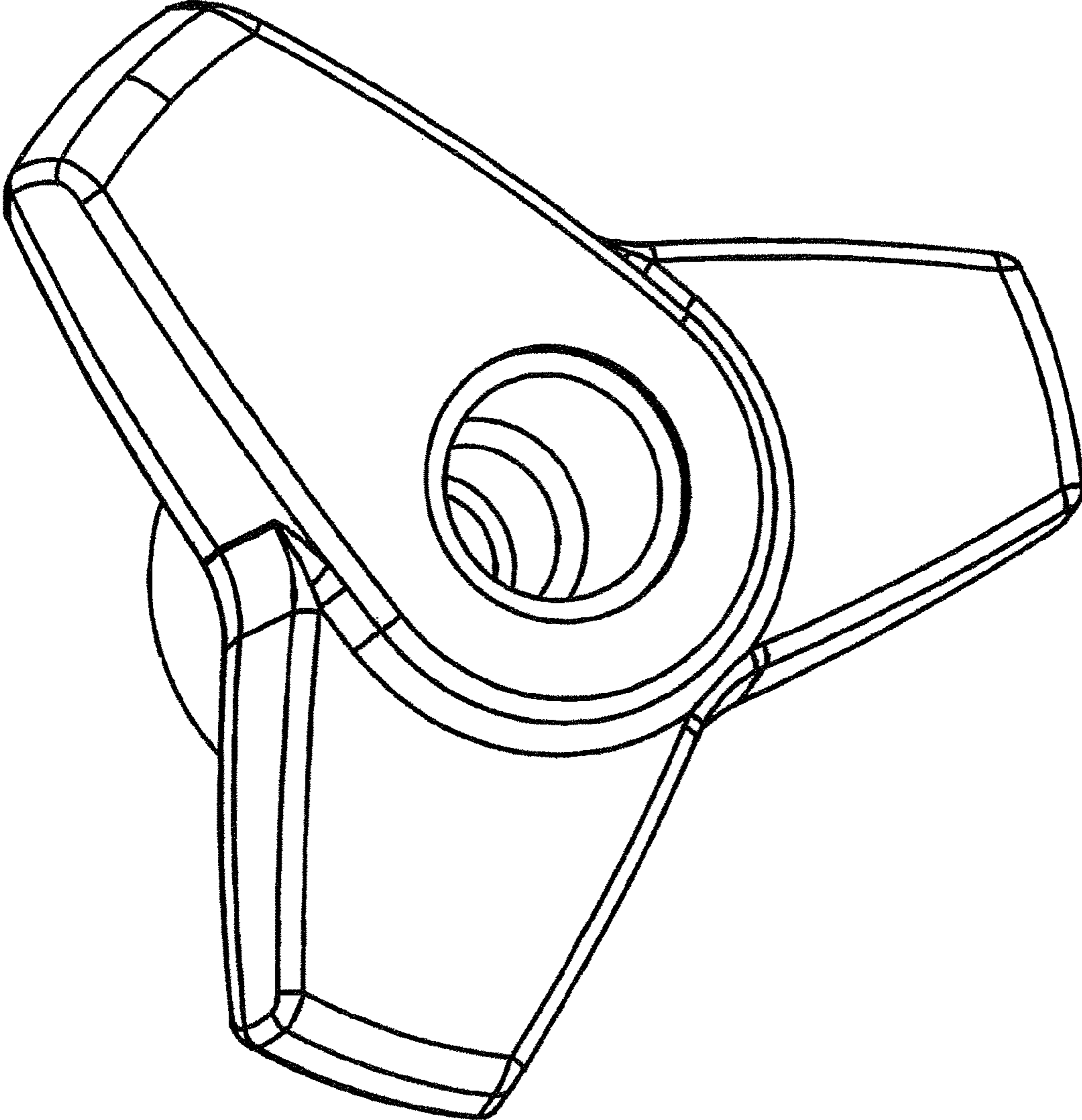


Fig. 2

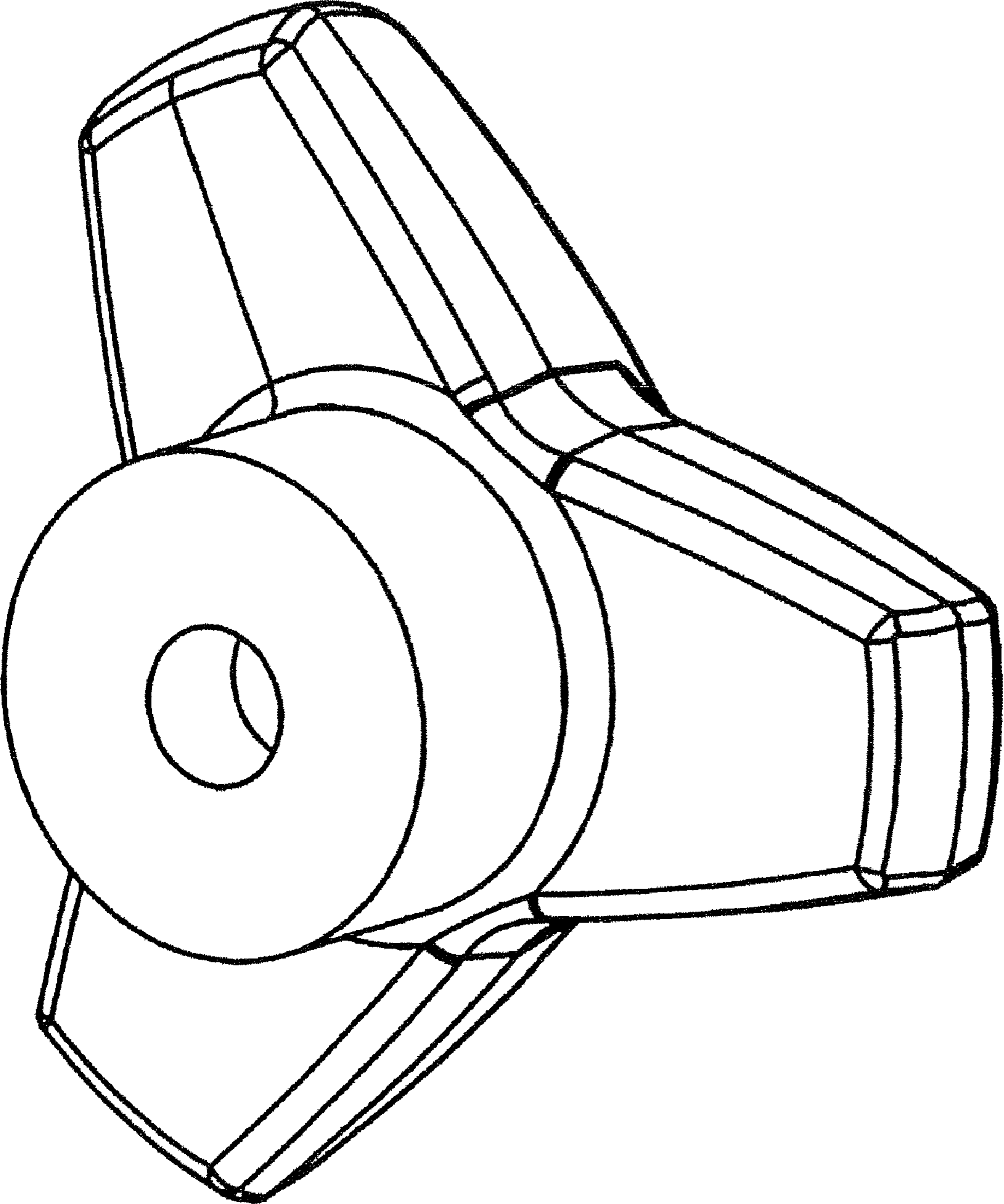


Fig. 3

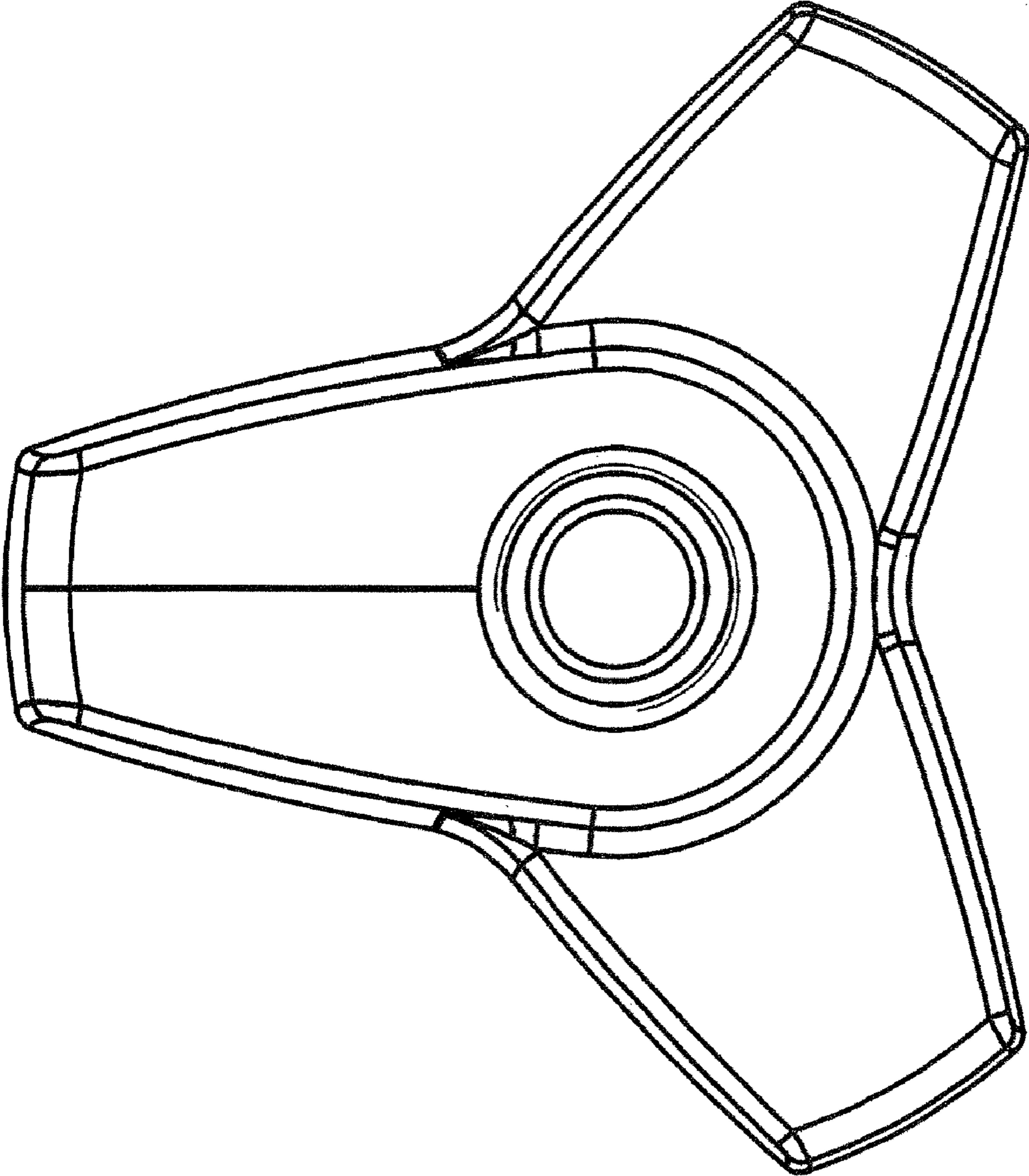


Fig. 4

