



US00D644084S

(12) **United States Design Patent**  
**Canavan et al.**

(10) **Patent No.:** **US D644,084 S**

(45) **Date of Patent:** **\*\* Aug. 30, 2011**

(54) **DOOR LIFTER TOOL**

(75) Inventors: **Peter Canavan**, Brewster, MA (US);  
**Todd W. Barnes**, Vancouver, WA (US);  
**George Robin Drew**, Vancouver, WA  
(US)

(73) Assignee: **Peter Canavan**, Brewster, MA (US)

(\*\*) Term: **14 Years**

(21) Appl. No.: **29/375,655**

(22) Filed: **Sep. 24, 2010**

(51) **LOC (9) Cl.** ..... **08-05**

(52) **U.S. Cl.** ..... **D8/88**

(58) **Field of Classification Search** ..... D8/14,  
D8/71, 88-89; 7/166; 81/45; 254/31, 129-131;  
D34/28

See application file for complete search history.

(56) **References Cited**

U.S. PATENT DOCUMENTS

2,692,753	A *	10/1954	Masterson, Jr. et al. ....	254/131
D226,057	S	1/1973	Grindlinger	
D244,004	S *	4/1977	Searer .....	D8/330
D282,712	S *	2/1986	Rademacher .....	D8/14
4,712,771	A *	12/1987	Donnelly et al. ....	254/131
D324,474	S	3/1992	Killins	
5,501,561	A	3/1996	Wulff	
5,749,113	A *	5/1998	Witter .....	7/166
D440,854	S	4/2001	Killins	

D442,456	S	5/2001	Killins	
6,296,230	B1 *	10/2001	Roth .....	254/131
6,678,909	B1	1/2004	Pyatt	
6,988,711	B2 *	1/2006	Skach .....	254/25
D602,671	S *	10/2009	McMorris et al. ....	D34/28
7,644,964	B2 *	1/2010	Bushey et al. ....	292/342

OTHER PUBLICATIONS

Doorjack. Downloaded Mar. 9, 2010 (as suggested by attorney) at <http://www.doorjack.com/about.html>.\*

Diversified Tools 812-DT Pocket Kicker (Amazon.com on-line catalog) Aug. 22, 2010.

\* cited by examiner

*Primary Examiner* — Philip S Hyder

*Assistant Examiner* — Roselynn Cody

(74) *Attorney, Agent, or Firm* — Douglas Denninger

(57) **CLAIM**

We claim the ornamental design for a door lifter tool, as shown and described.

**DESCRIPTION**

FIG. 1 is a perspective view of the door lifter tool showing our novel design;

FIG. 2 is a side elevation view thereof, with the other side being a mirror image;

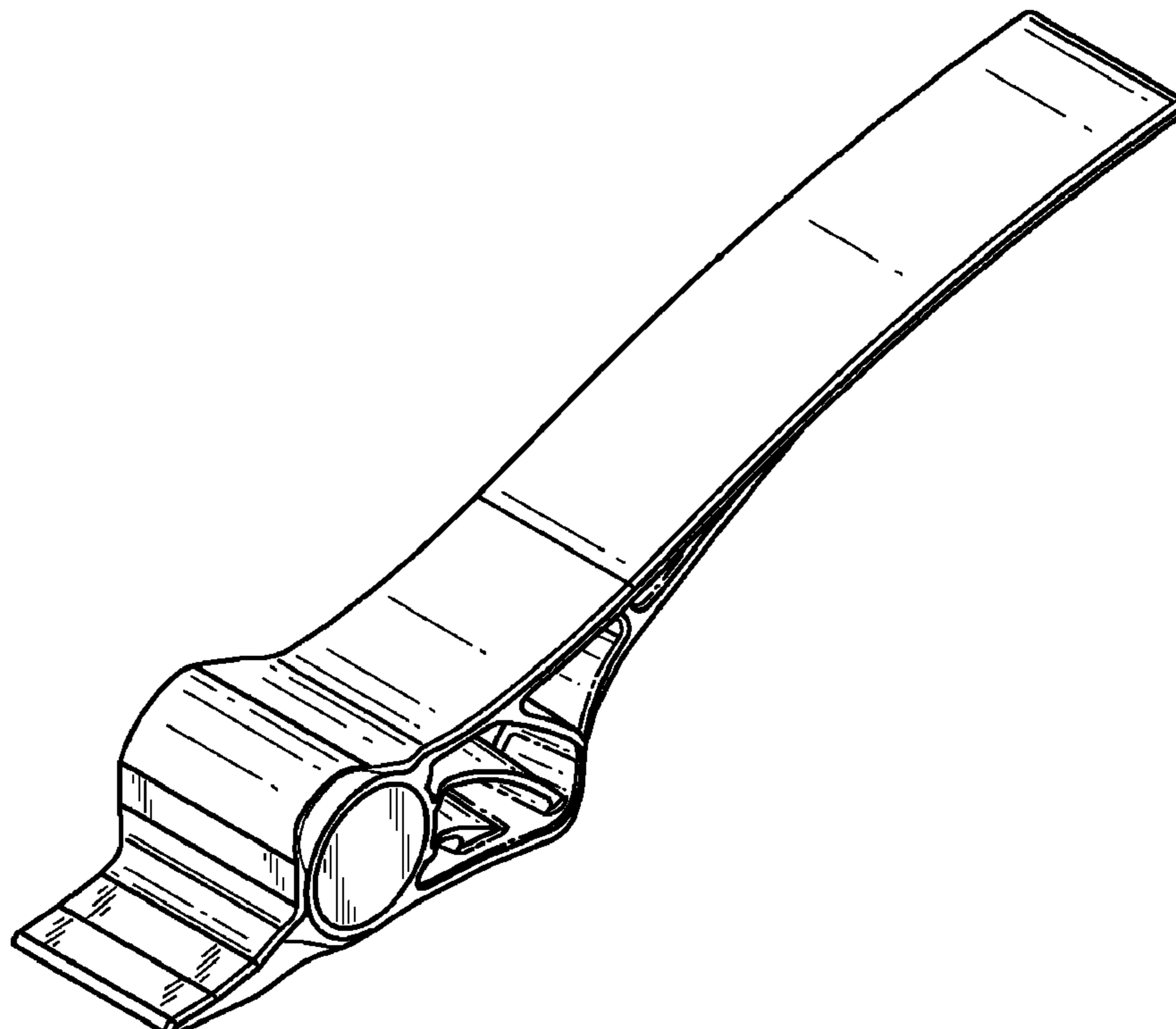
FIG. 3 is a front elevation view thereof;

FIG. 4 is a rear elevation view thereof;

FIG. 5 is a bottom plan view thereof; and,

FIG. 6 is top plan view thereof.

**1 Claim, 1 Drawing Sheet**



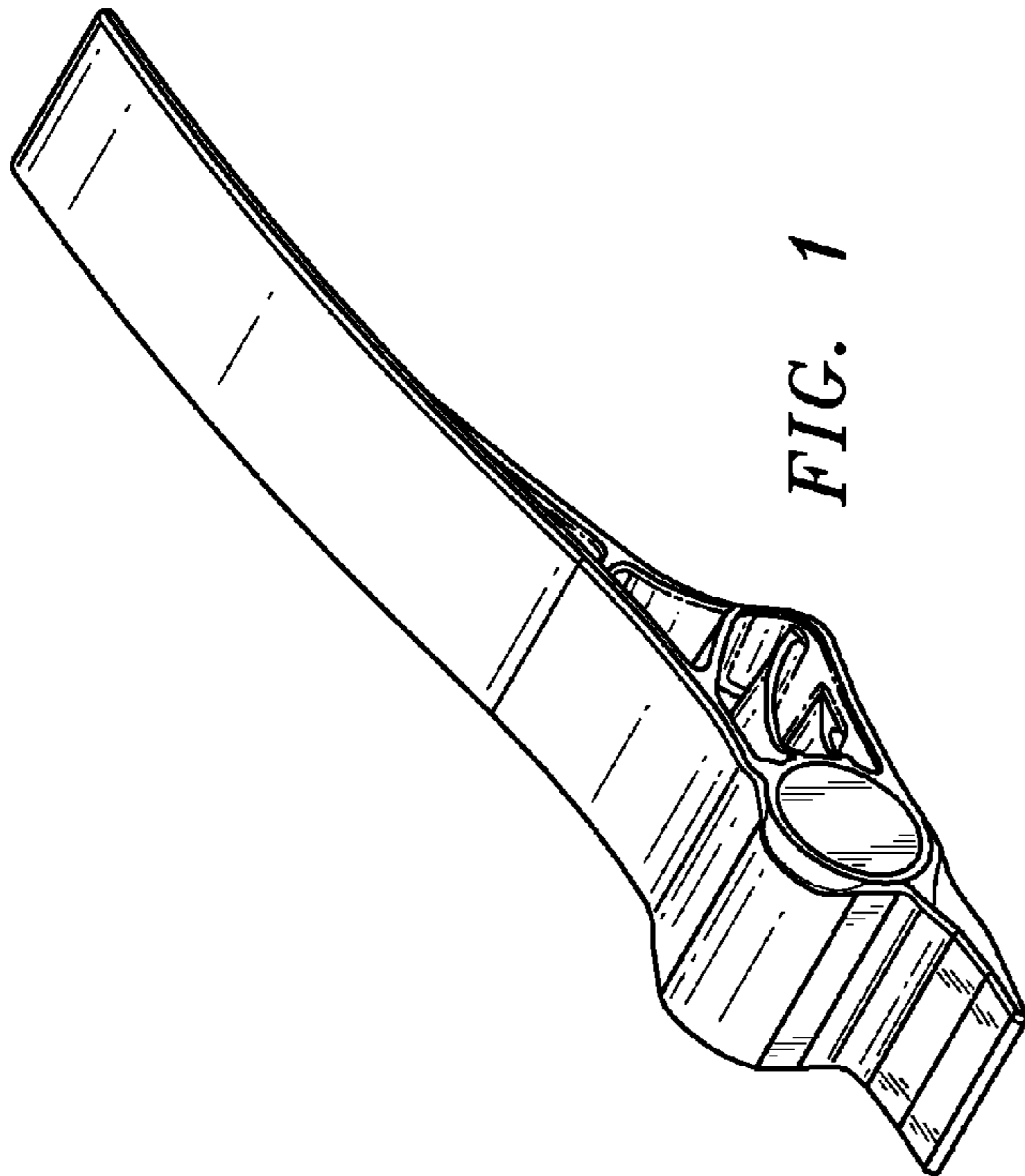


FIG. 1

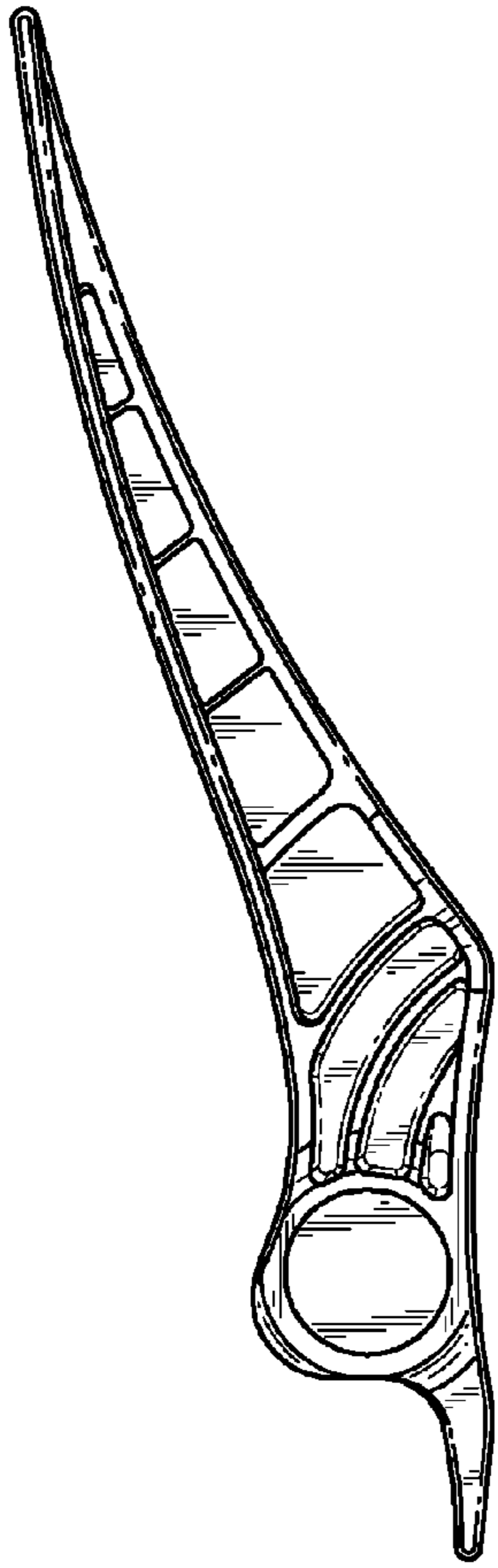


FIG. 2

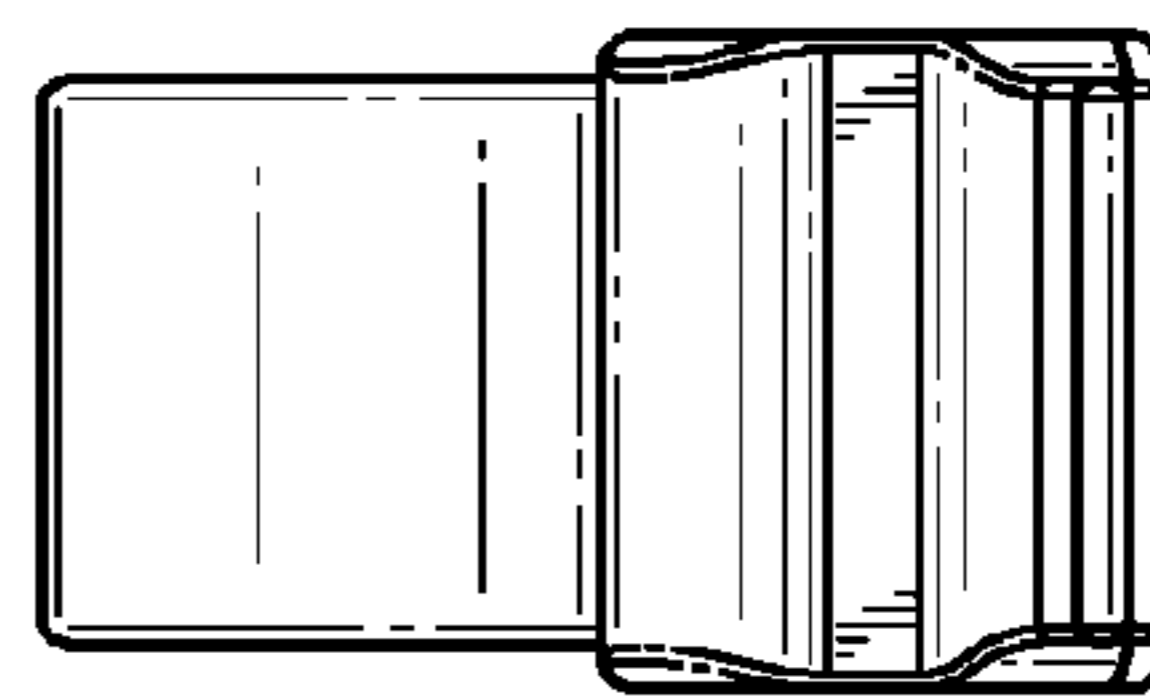


FIG. 3

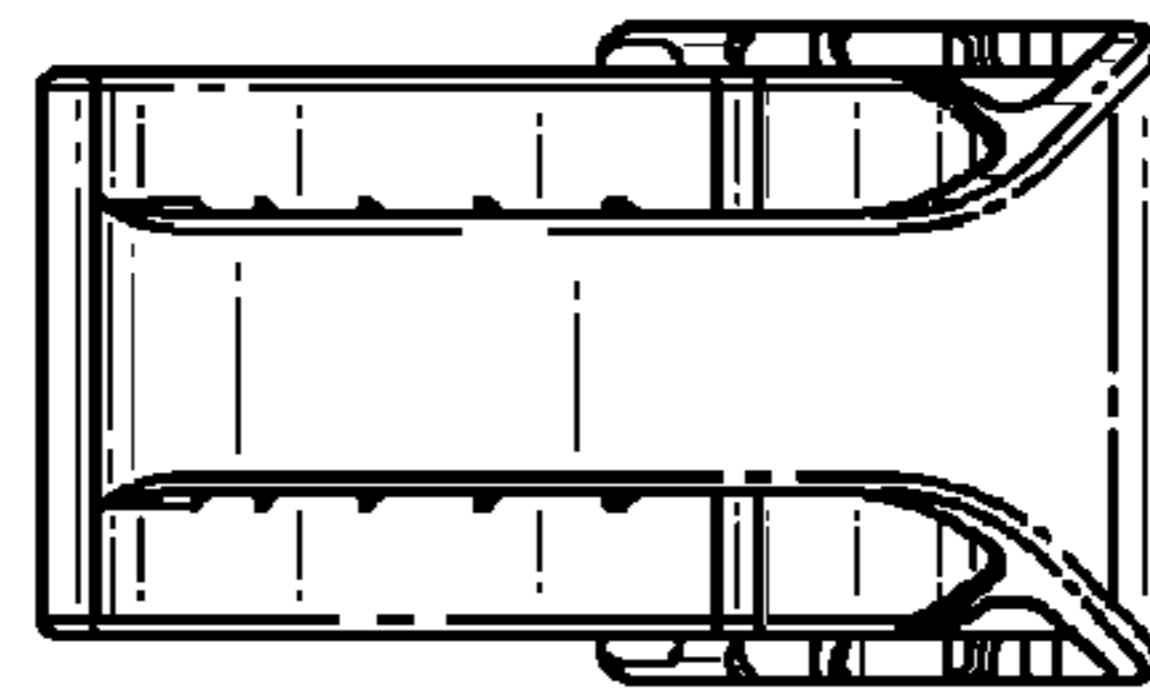


FIG. 4

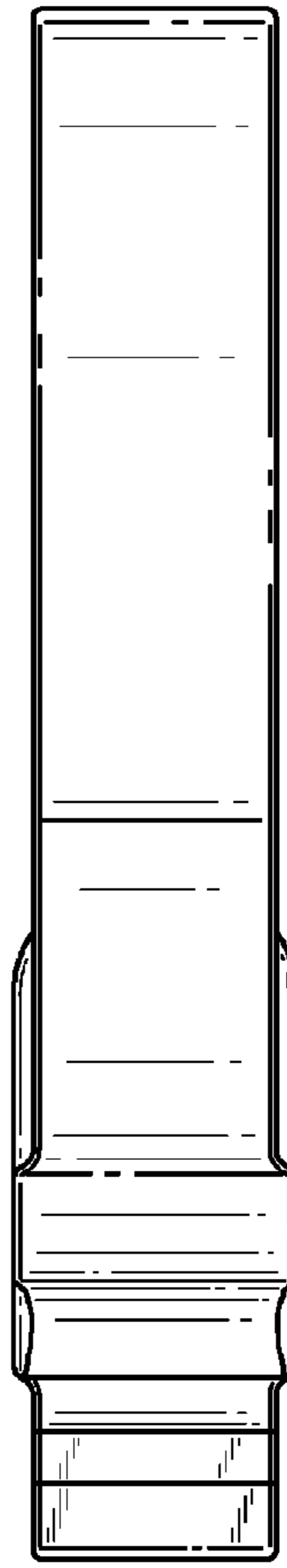


FIG. 5

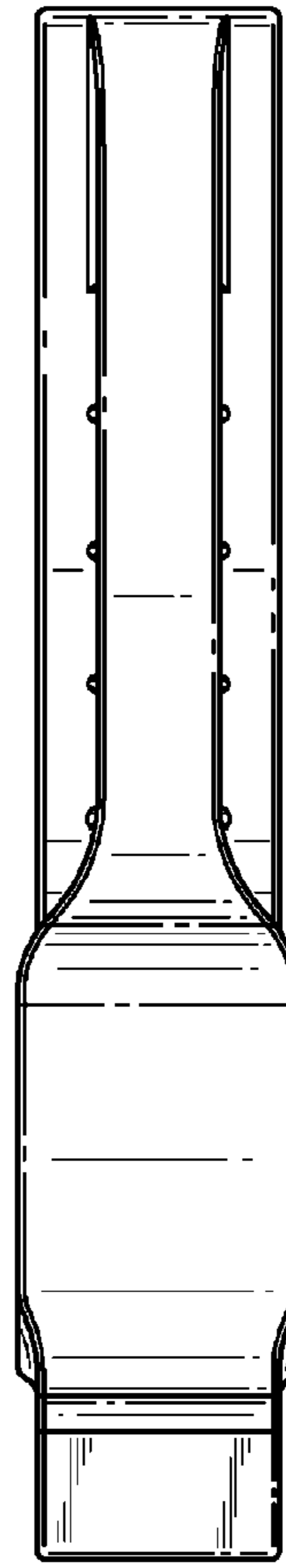


FIG. 6