

US00D644083S

(12) **United States Design Patent**
Dapkins, Jr. et al.

(10) **Patent No.:** **US D644,083 S**

(45) **Date of Patent:** **** *Aug. 30, 2011**

(54) **DYNAMIC ENTRY CLAW HEAD**

(75) Inventors: **John A. Dapkins, Jr.**, Bloomsbury, NJ (US); **Nicholas Klementowicz, III**, Hillsborough Township, Somerset County, NJ (US); **Kenneth P. Glynn**, Raritan Township, Hunterdon County, NJ (US)

(73) Assignee: **Jersey Tactical Corp.**

(*) Notice: This patent is subject to a terminal disclaimer.

(**) Term: **14 Years**

(21) Appl. No.: **29/315,242**

(22) Filed: **Jun. 8, 2009**

(51) **LOC (9) Cl.** **08-05**

(52) **U.S. Cl.** **D8/88**

(58) **Field of Classification Search** D8/13-14, D8/47, 79, 81, 88-89, 105; D22/117; 7/166; 29/254; 254/25, 131-131.5

See application file for complete search history.

(56) **References Cited**

U.S. PATENT DOCUMENTS

3,219,316	A *	11/1965	Fried	254/131
3,226,149	A *	12/1965	McJohnson	294/50
D251,540	S *	4/1979	Faltin	D8/6
4,681,171	A *	7/1987	Kee et al.	173/90
5,177,850	A *	1/1993	Hull et al.	29/254
D336,224	S *	6/1993	Terry	D8/14
D336,231	S *	6/1993	Strom	D8/89
D392,867	S *	3/1998	Gracy et al.	D8/89
D407,619	S *	4/1999	Trottier	D8/89
D429,128	S *	8/2000	Todd	D8/10
D439,126	S *	3/2001	Gohman	D8/89

7,337,515	B2 *	3/2008	Phillips et al.	29/254
D570,655	S *	6/2008	Meagher et al.	D8/14
D589,769	S *	4/2009	Timm et al.	D8/14
D591,578	S *	5/2009	Harpell	D8/89
D600,081	S *	9/2009	Mullen et al.	D8/13
7,735,172	B2 *	6/2010	Newton et al.	7/166
2010/0089205	A1 *	4/2010	Phillips et al.	81/20

OTHER PUBLICATIONS

Thau Claw Tool. Downloaded Aug. 30, 2010 at http://www.wildlandwarehouse.com/wwcatalog/HandTools_C574.cfm.*

* cited by examiner

Primary Examiner — Philip S Hyder

Assistant Examiner — Roselynn Cody

(74) *Attorney, Agent, or Firm* — Ernest D. Buff & Associates, LLC; Ernest D. Buff

(57) **CLAIM**

The ornamental design for dynamic entry claw head, as shown and described.

DESCRIPTION

FIG. 1 is a front view of the present invention dynamic entry claw head;

FIG. 2 is a rear view of the present invention dynamic entry claw head shown in FIG. 1 above;

FIG. 3 is a left side view of the present invention dynamic entry claw head shown in FIG. 1 above;

FIG. 4 is a right side view of the present invention dynamic entry claw head shown in FIG. 1 above;

FIG. 5 is a bottom view of the present invention dynamic entry claw device head shown in FIG. 1 above;

FIG. 6 is a top view of the present invention dynamic entry claw device head shown in FIG. 1 above; and,

FIG. 7 is an oblique view of the present invention dynamic entry claw device head shown in FIG. 1 above.

1 Claim, 3 Drawing Sheets

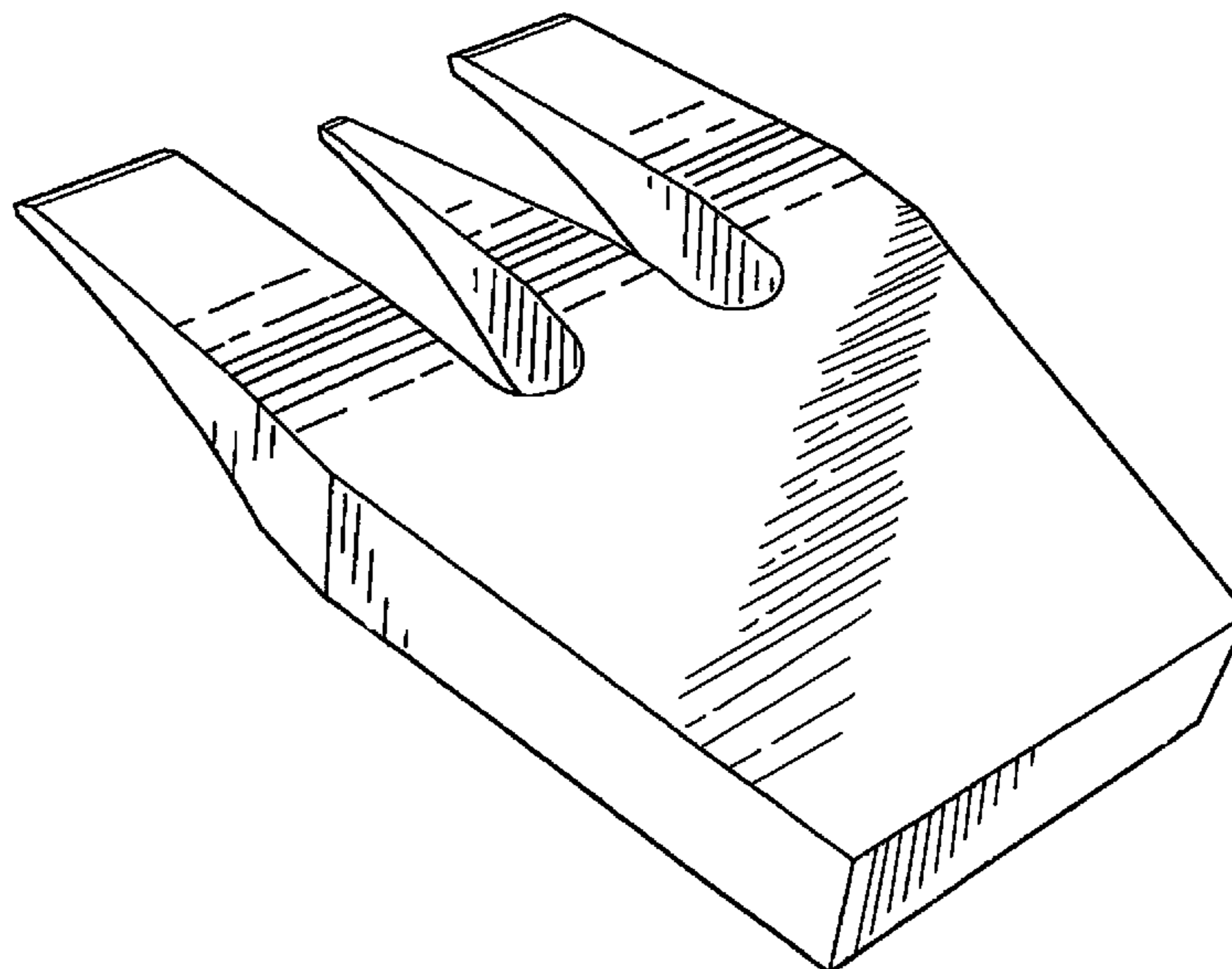


FIG. 1

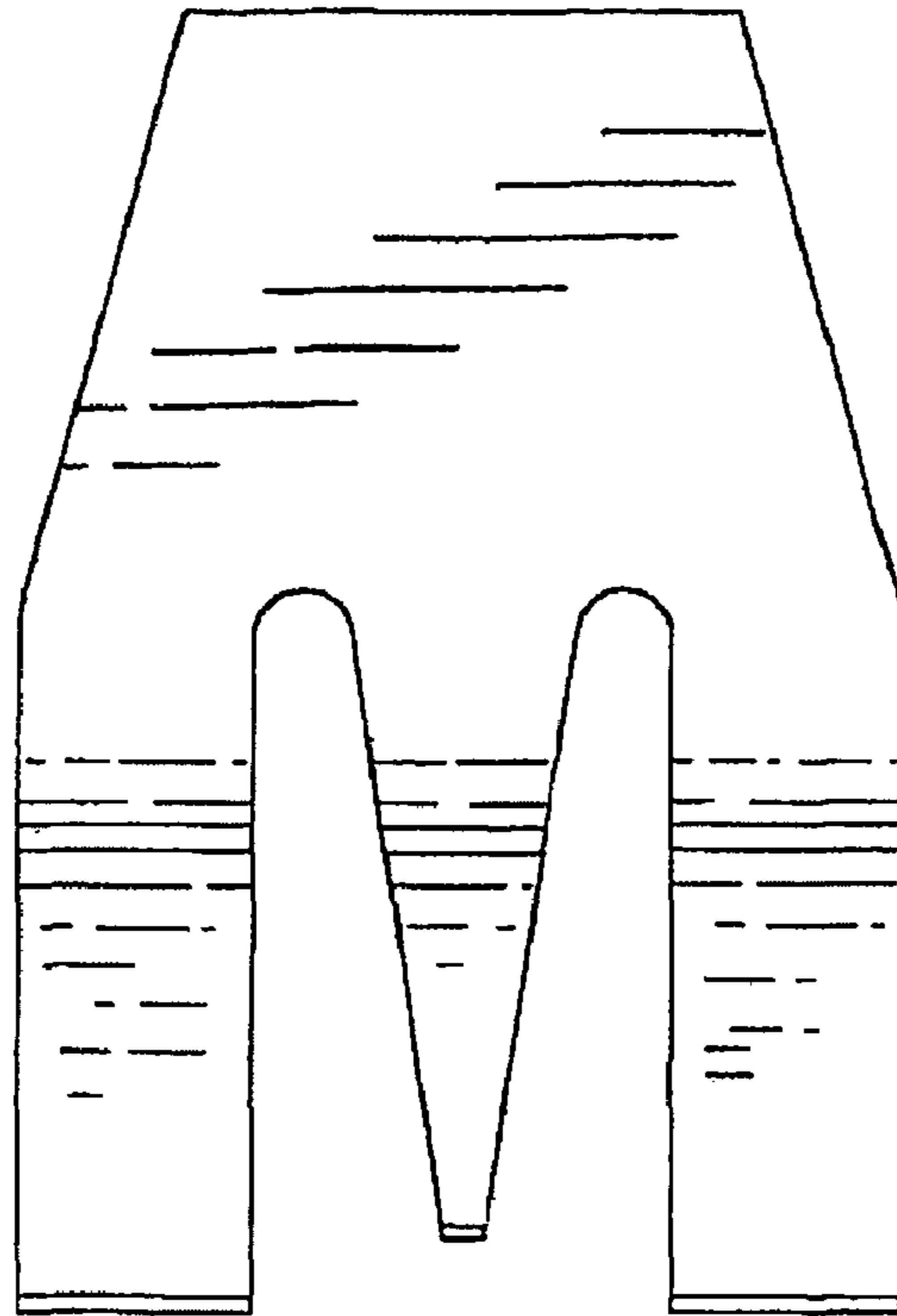


FIG. 2

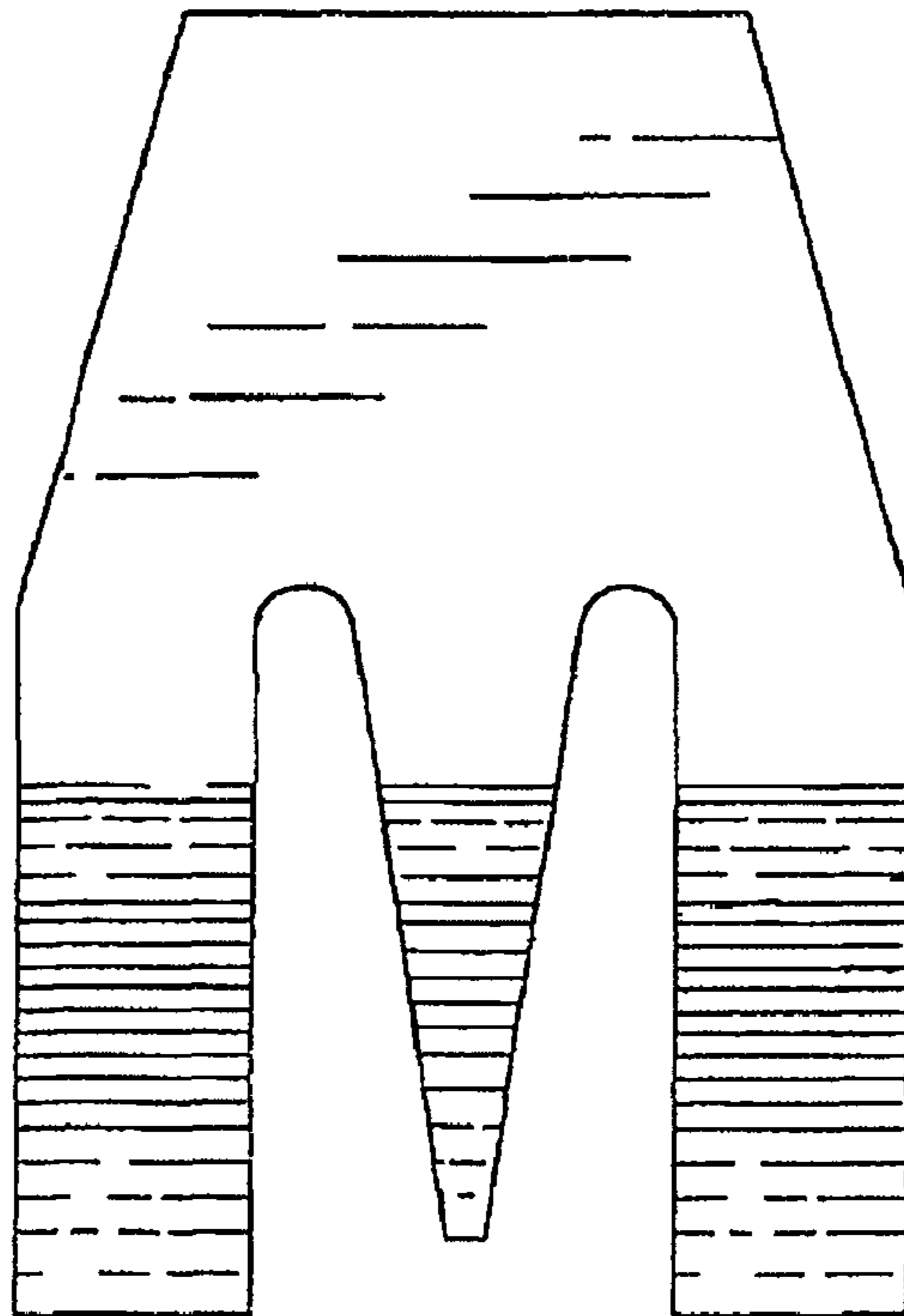


FIG. 3



FIG. 4



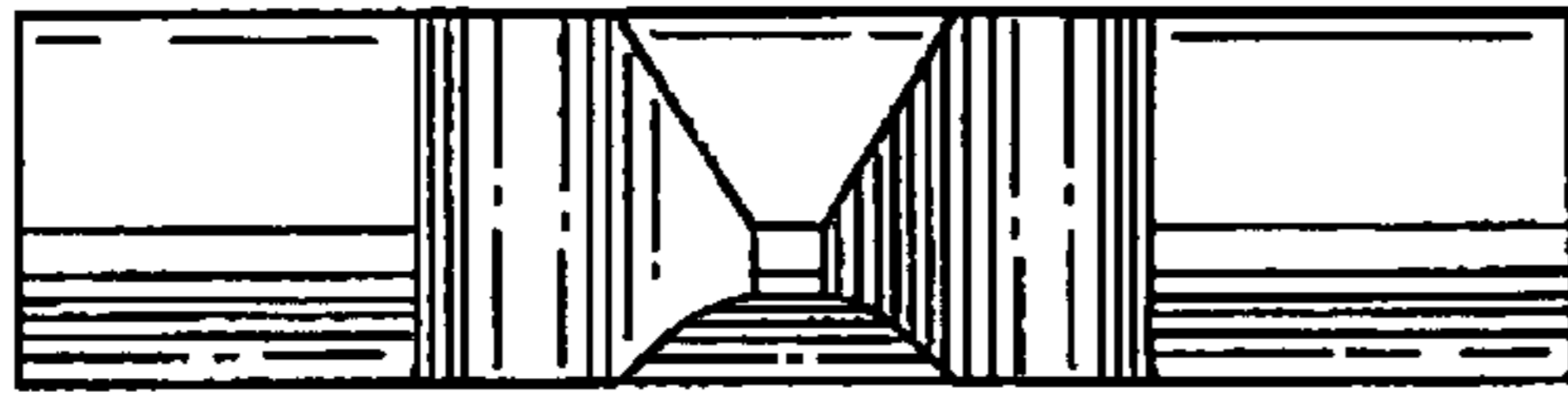


FIG. 5

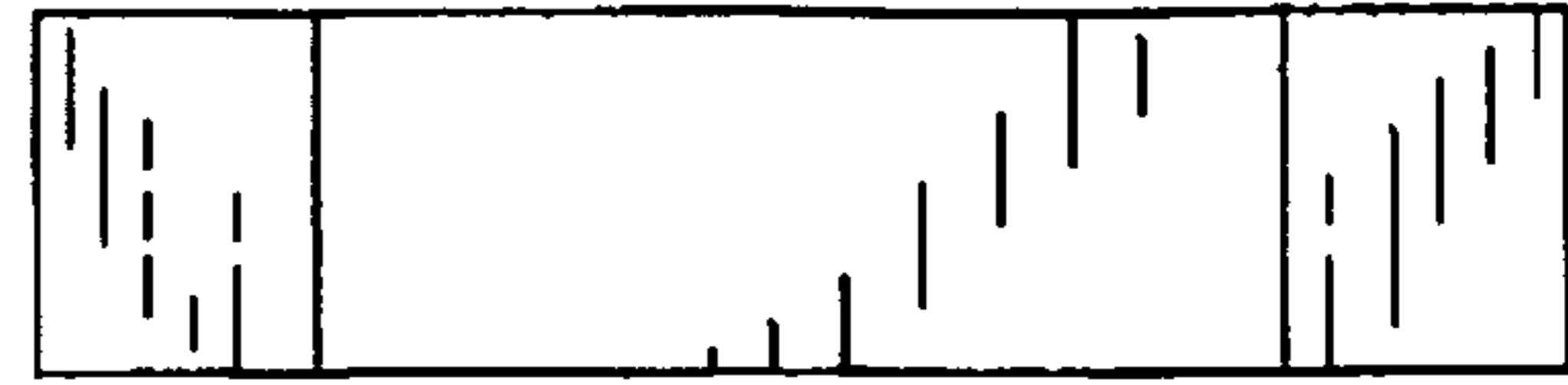


FIG. 6

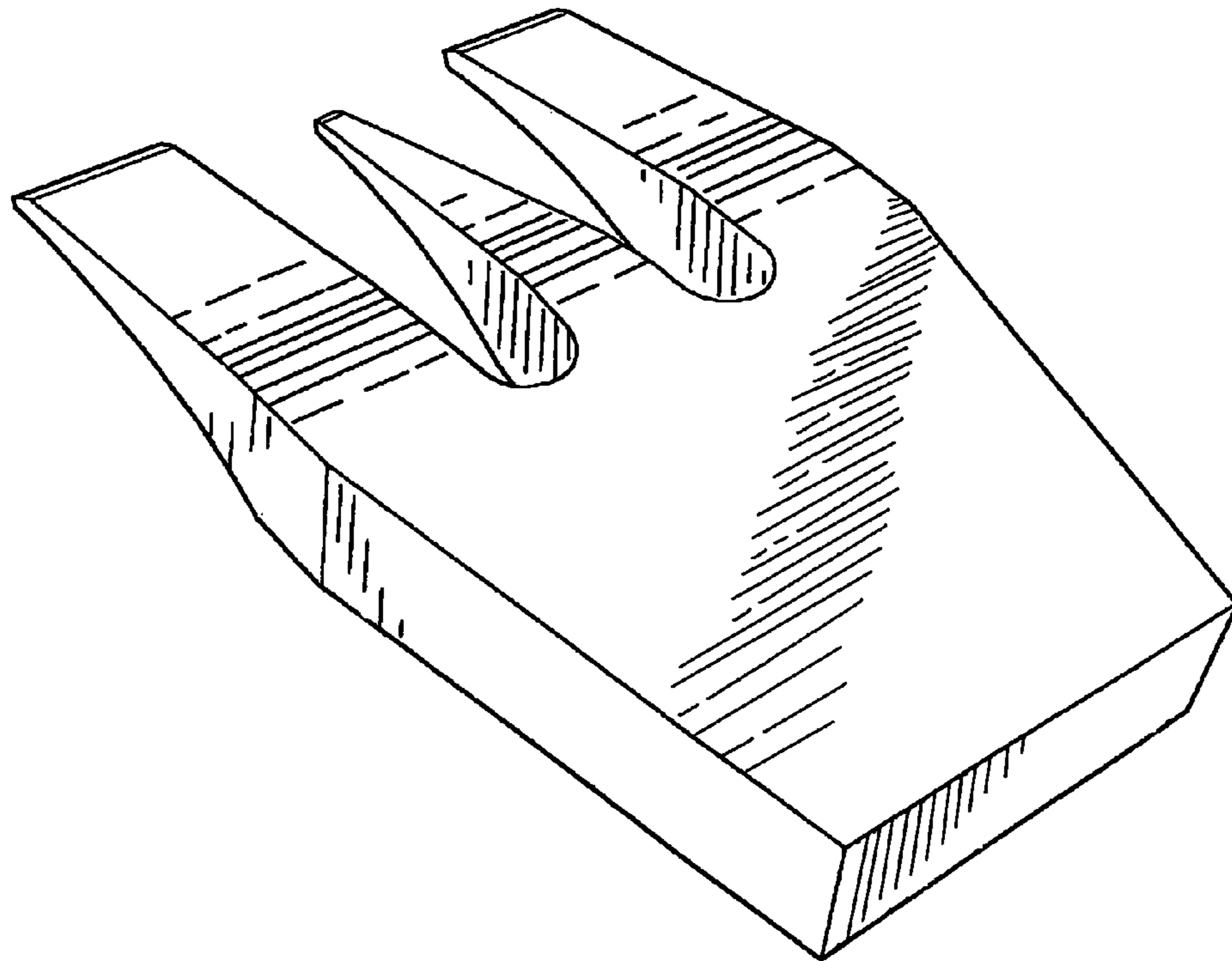


FIG. 7