



US00D644080S

(12) **United States Design Patent**
Misaki

(10) **Patent No.:** **US D644,080 S**

(45) **Date of Patent:** **** Aug. 30, 2011**

(54) **PORTABLE ELECTRIC SANDER**

(75) Inventor: **Shingo Misaki, Anjo (JP)**

(73) Assignee: **Makita Corporation, Anjo-shi (JP)**

(**) Term: **14 Years**

(21) Appl. No.: **29/376,303**

(22) Filed: **Oct. 5, 2010**

(30) **Foreign Application Priority Data**

Apr. 7, 2010 (JP) 2010-008709

(51) **LOC (9) Cl.** **08-01**

(52) **U.S. Cl.** **D8/62**

(58) **Field of Classification Search** D8/67,
D8/62, 61, 64; D32/15, 17, 19; D4/102;
451/456, 451, 359, 358, 357, 356, 355, 354,
451/353, 351, 344; 30/392; 16/422, 430;
173/170

See application file for complete search history.

(56) **References Cited**

U.S. PATENT DOCUMENTS

D351,772	S *	10/1994	Price	D8/62
D352,437	S *	11/1994	Chunn et al.	D8/62
D378,183	S *	2/1997	Dognini	D8/62
D408,244	S *	4/1999	Price	D8/62
D523,309	S *	6/2006	Schmid	D8/64
D526,549	S *	8/2006	Aglassinger	D8/62
D527,235	S *	8/2006	Aglassinger	D8/62
D528,389	S *	9/2006	Wu	D8/62
D530,579	S *	10/2006	Waldron	D8/62
D538,122	S *	3/2007	Etter et al.	D8/62
D544,326	S *	6/2007	Sterpka et al.	D8/62
D548,556	S *	8/2007	Stratford	D8/62
D551,526	S *	9/2007	Aglassinger	D8/62
D558,016	S *	12/2007	Aglassinger	D8/62
D567,610	S *	4/2008	Wright	D8/62
7,363,685	B2 *	4/2008	Walker et al.	16/430
7,367,409	B2 *	5/2008	Stones	173/170

D576,461	S *	9/2008	Bast	D8/62
7,424,768	B2 *	9/2008	Beruscha et al.	16/422
D593,826	S *	6/2009	Aglassinger	D8/62
D609,071	S *	2/2010	Yamamoto et al.	D8/62
D632,939	S *	2/2011	Misaki	D8/62
D637,055	S *	5/2011	Schomisch	D8/62
D637,056	S *	5/2011	Schomisch	D8/62
D637,057	S *	5/2011	Schomisch	D8/62
2004/0187322	A2 *	9/2004	Bednar et al.	30/392

FOREIGN PATENT DOCUMENTS

JP S-D1384313 4/2010

OTHER PUBLICATIONS

Japanese Office Action issued in Japanese Design Application No. 2010-008709 on Sep. 7, 2010 (with translation).

* cited by examiner

Primary Examiner — Austin Murphy

(74) *Attorney, Agent, or Firm* — Oliff & Berridge, PLC

(57) **CLAIM**

The ornamental design for a portable electric sander, as shown and described.

DESCRIPTION

FIG. 1 is a perspective view of a portable electric sander showing our new design;

FIG. 2 is a front elevation view thereof;

FIG. 3 is a rear elevation view thereof;

FIG. 4 is a left side elevation view thereof;

FIG. 5 is a right side elevation view thereof;

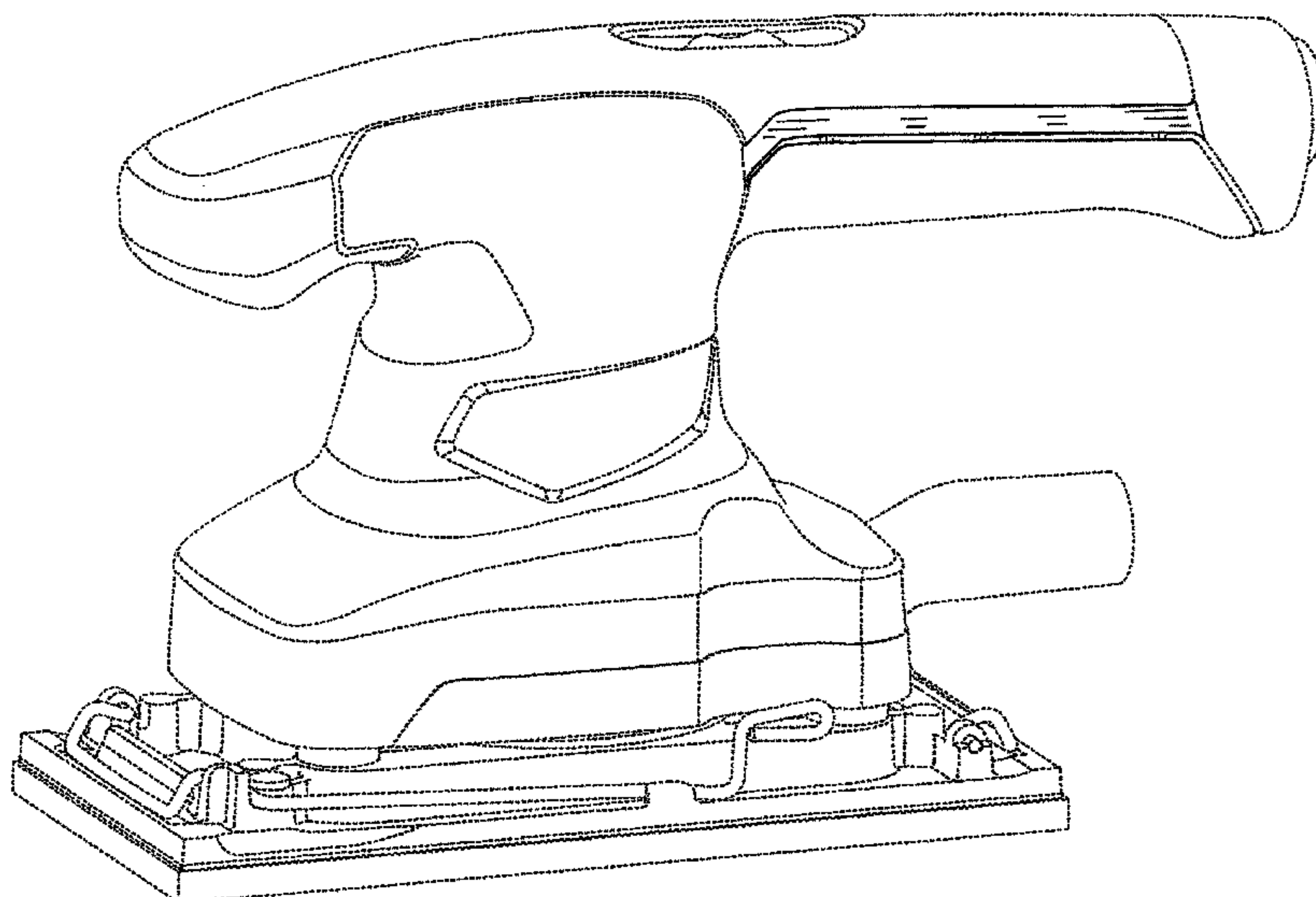
FIG. 6 is a top plan view thereof; and,

FIG. 7 is a bottom plan view thereof.

The broken lines depict environmental subject matter only and form no part of the claimed design.

The dot-chain line illustrates a boundary between the claimed and unclaimed subject matter and forms no part of the claimed design.

1 Claim, 6 Drawing Sheets



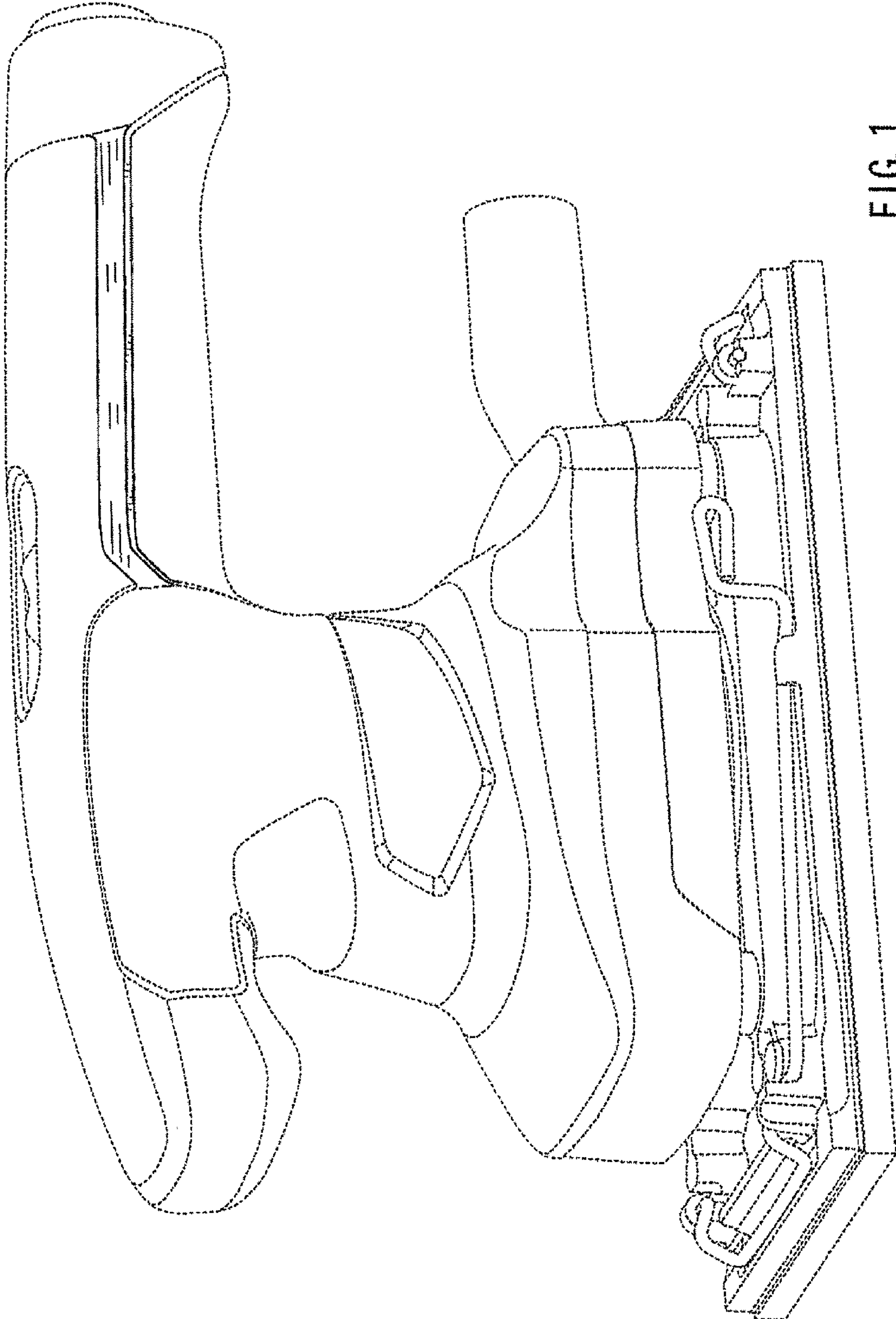


FIG. 1

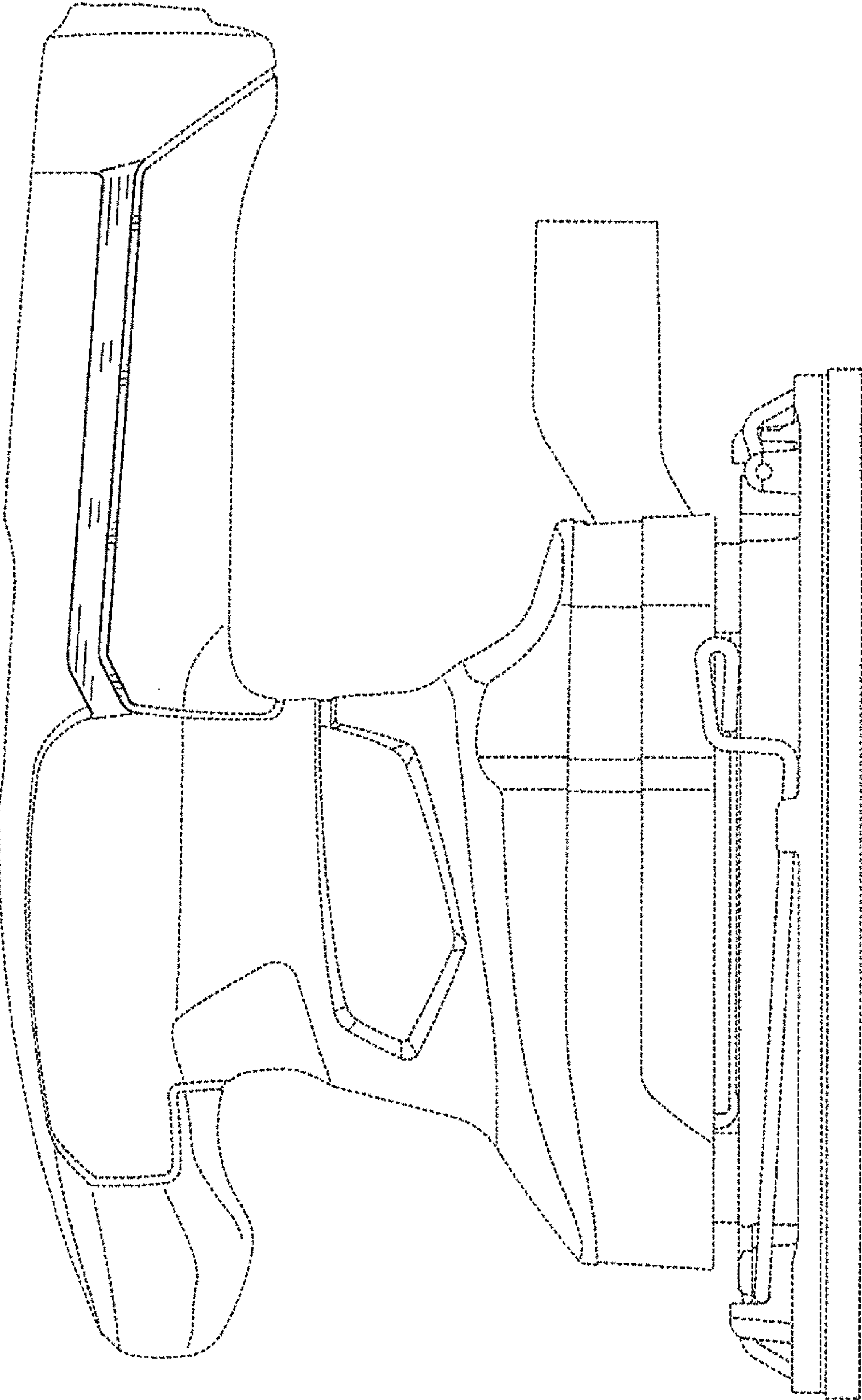


FIG. 2

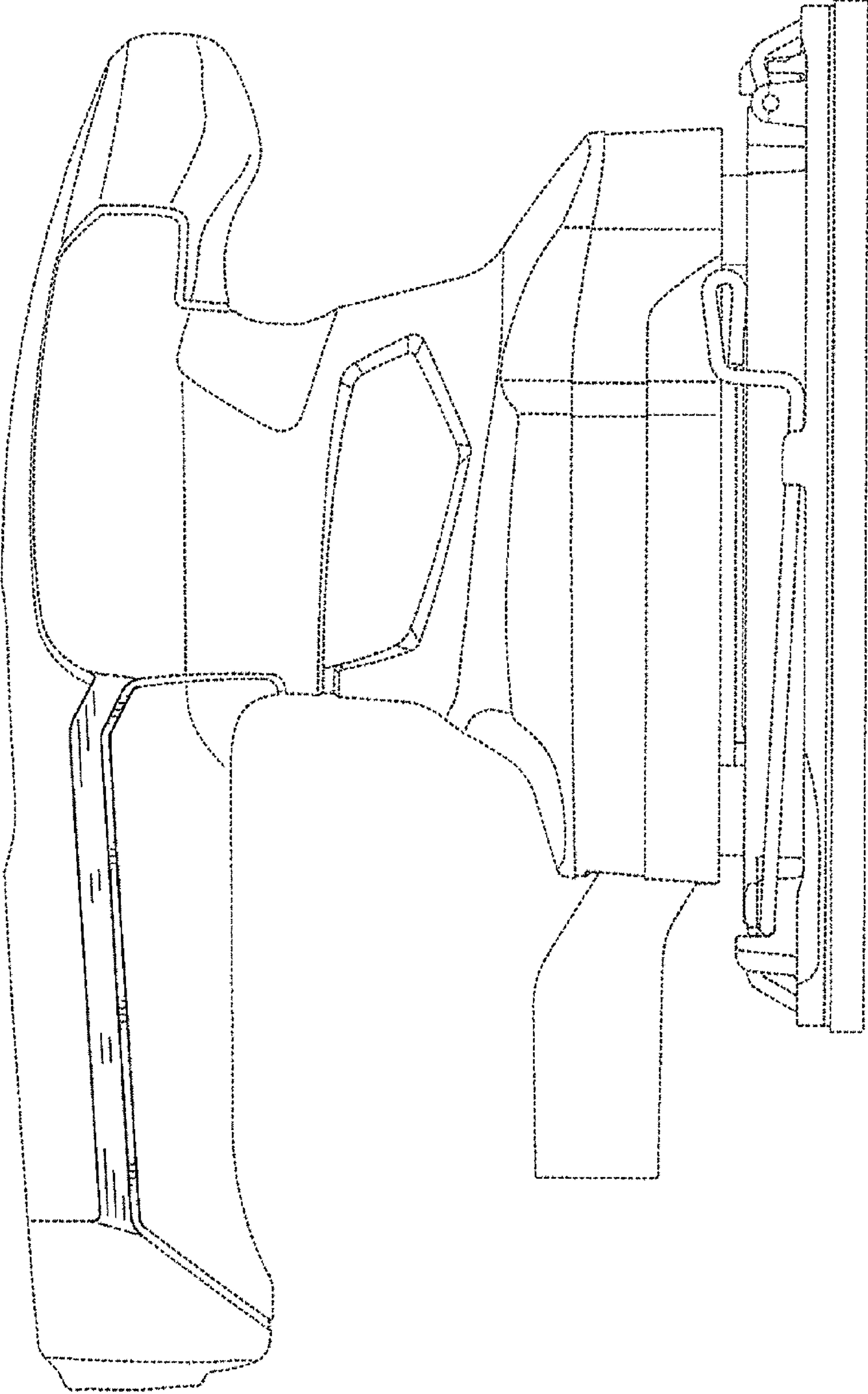


FIG. 3

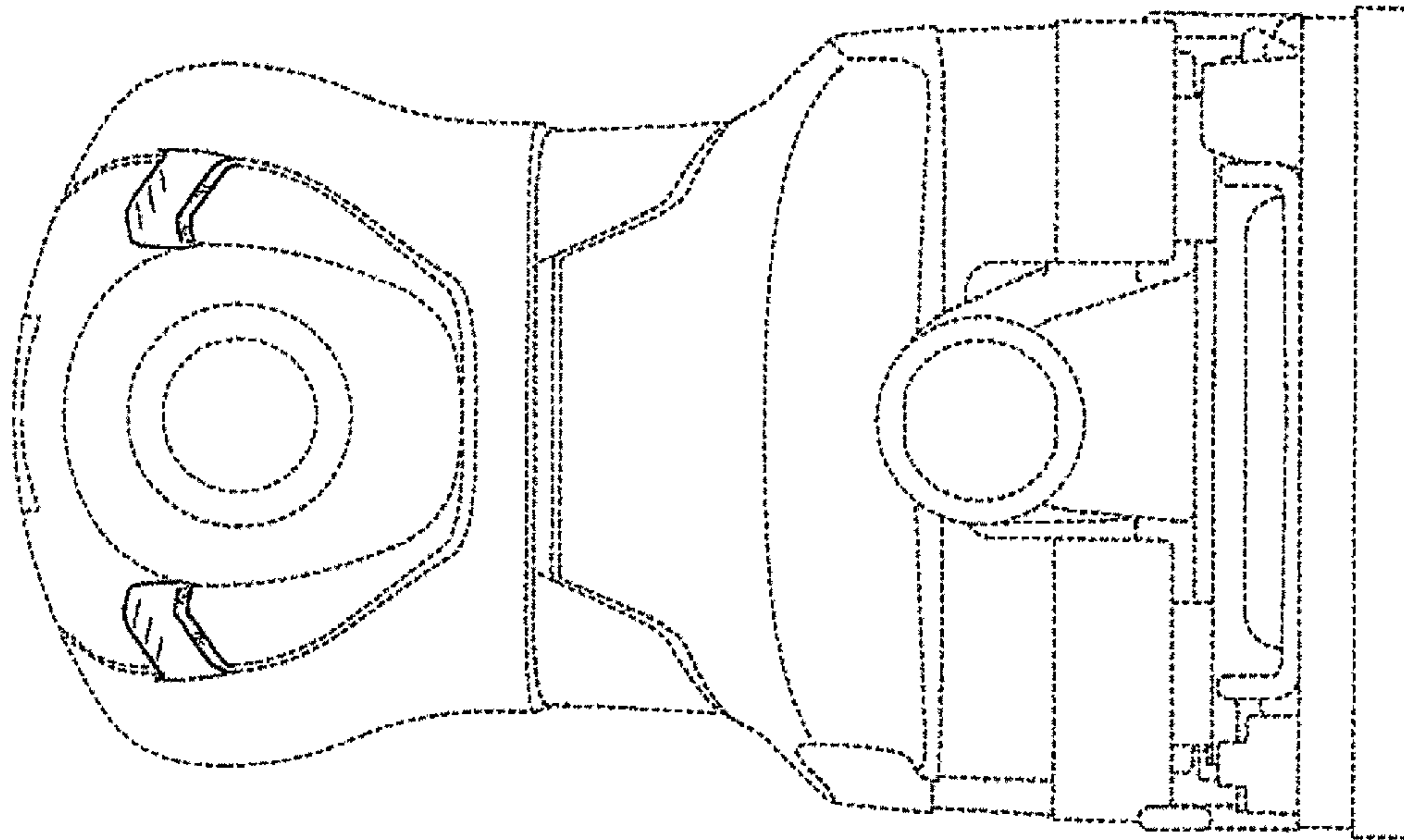


FIG. 5

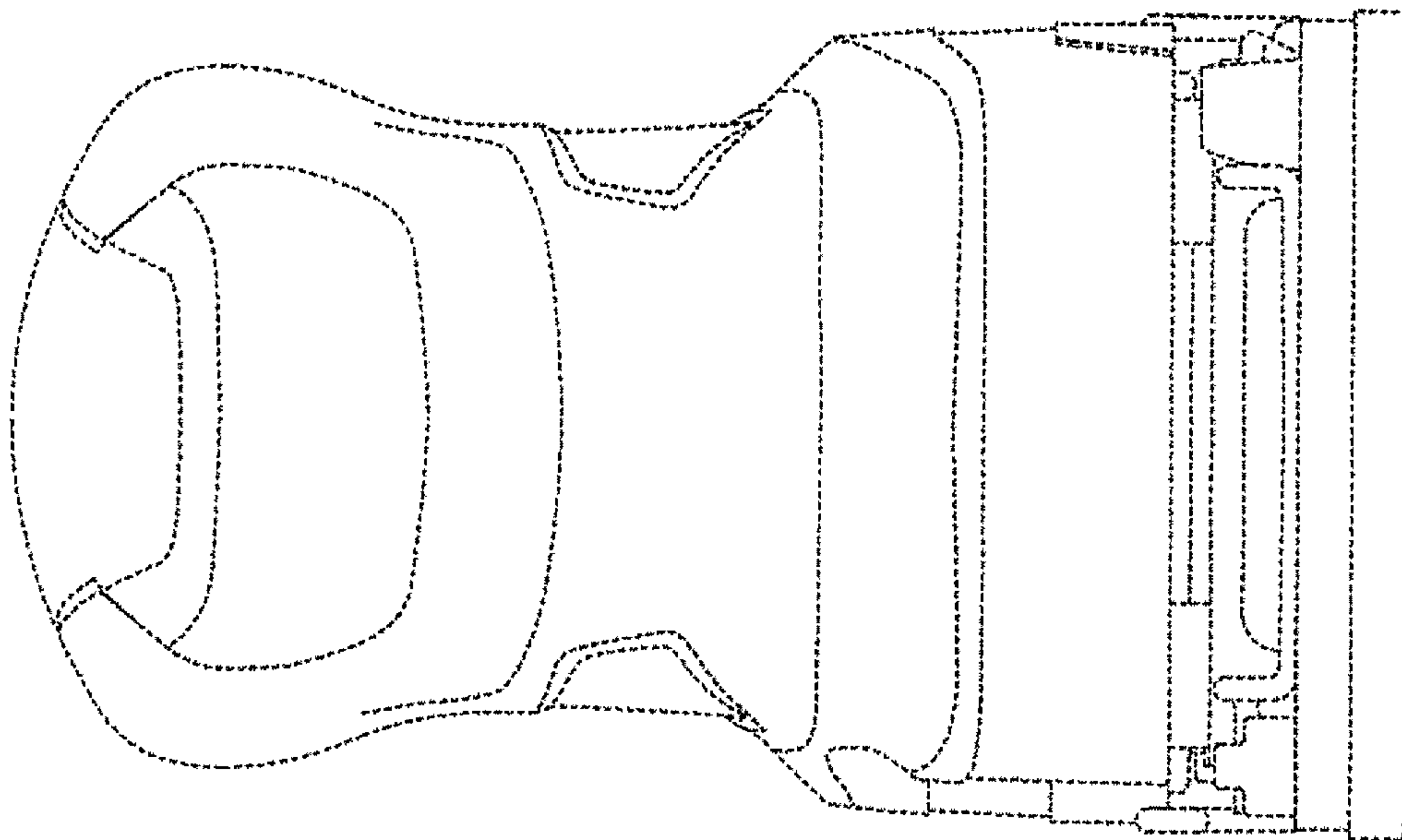


FIG. 4

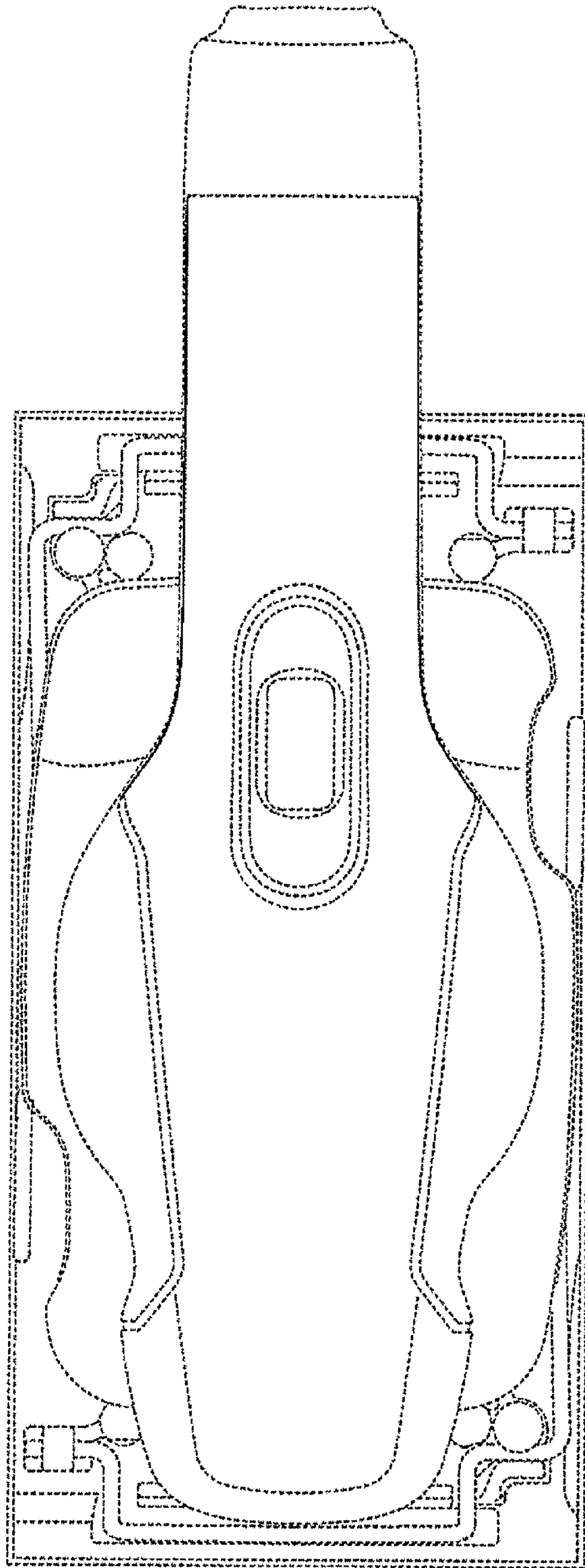


FIG. 6

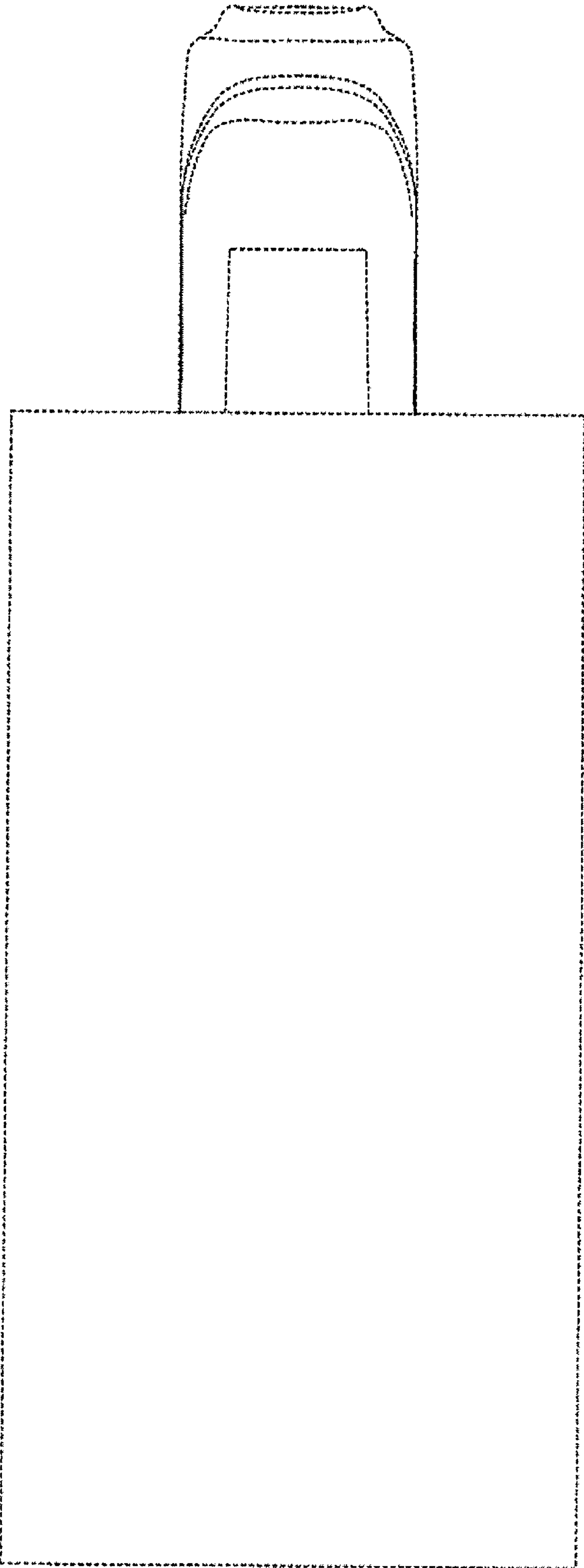


FIG. 7