



US00D644074S

(12) **United States Design Patent**
Franchini

(10) **Patent No.:** **US D644,074 S**

(45) **Date of Patent:** **** Aug. 30, 2011**

(54) **DRIP IRRIGATOR**

(75) Inventor: **Gaetano Franchini**, Fiume Veneto (IT)

(73) Assignee: **CLABER S.p.A.**, Fiume Veneto (PN)
(IT)

(**) Term: **14 Years**

(21) Appl. No.: **29/347,292**

(22) Filed: **Nov. 24, 2009**

(30) **Foreign Application Priority Data**

May 27, 2009 (EP) 001140420

(51) **LOC (9) Cl.** **08-01**

(52) **U.S. Cl.** **D8/1**

(58) **Field of Classification Search** D8/1, 2;
239/379; 47/48.5, 79

See application file for complete search history.

(56) **References Cited**

U.S. PATENT DOCUMENTS

5,725,156 A * 3/1998 Park 239/379
6,055,770 A * 5/2000 Park 47/48.5
6,112,456 A * 9/2000 Rummins 47/48.5

6,128,856 A * 10/2000 Doan 47/48.5
6,243,986 B1 * 6/2001 Crowley 47/48.5
6,598,338 B2 * 7/2003 Buss et al. 47/48.5
7,752,807 B2 * 7/2010 Wu 47/48.5

* cited by examiner

Primary Examiner — Robin Webster

(74) *Attorney, Agent, or Firm* — Jacobson Holman PLLC

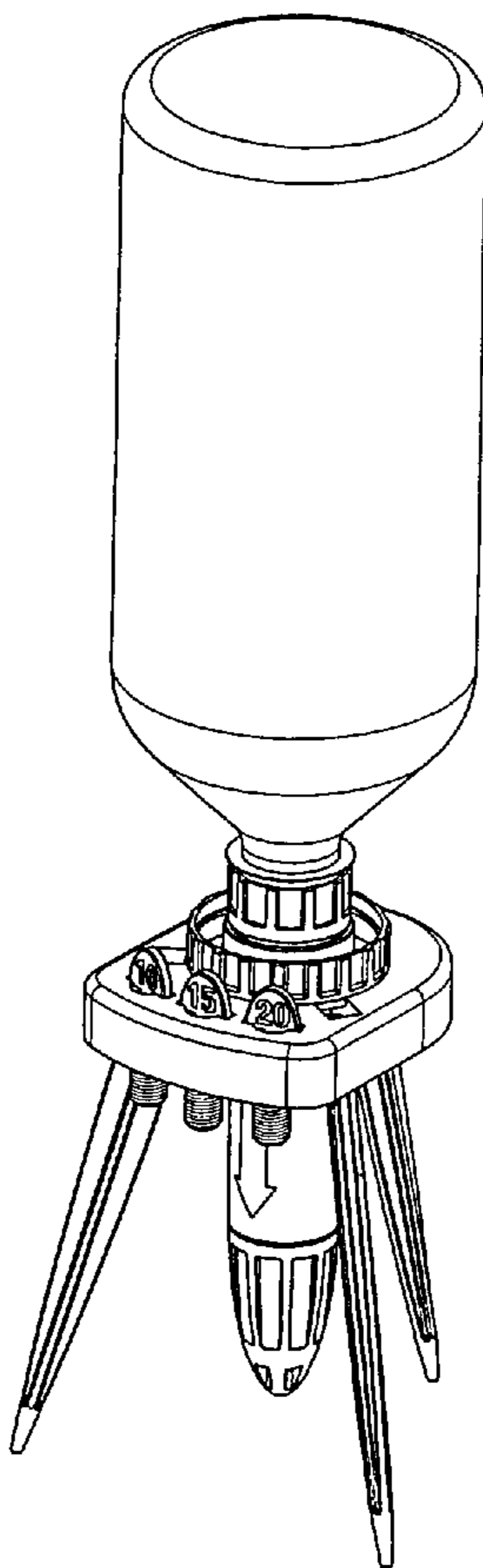
(57) **CLAIM**

I claim the ornamental design for “drip irrigator,” as shown and described.

DESCRIPTION

FIG. 1 shows a front perspective view of a drip irrigator; FIG. 2 shows a back perspective view of the drip irrigator of FIG. 1; FIG. 3 shows a first lateral view of the drip irrigator of FIG. 1; FIG. 4 shows a second lateral view of the drip irrigator of FIG. 1; FIG. 5 shows a third lateral view of the drip irrigator of FIG. 1; FIG. 6 shows a fourth lateral view of the drip irrigator of FIG. 1; and, FIG. 7 shows a bottom view of the drip irrigator of FIG. 1.

1 Claim, 7 Drawing Sheets



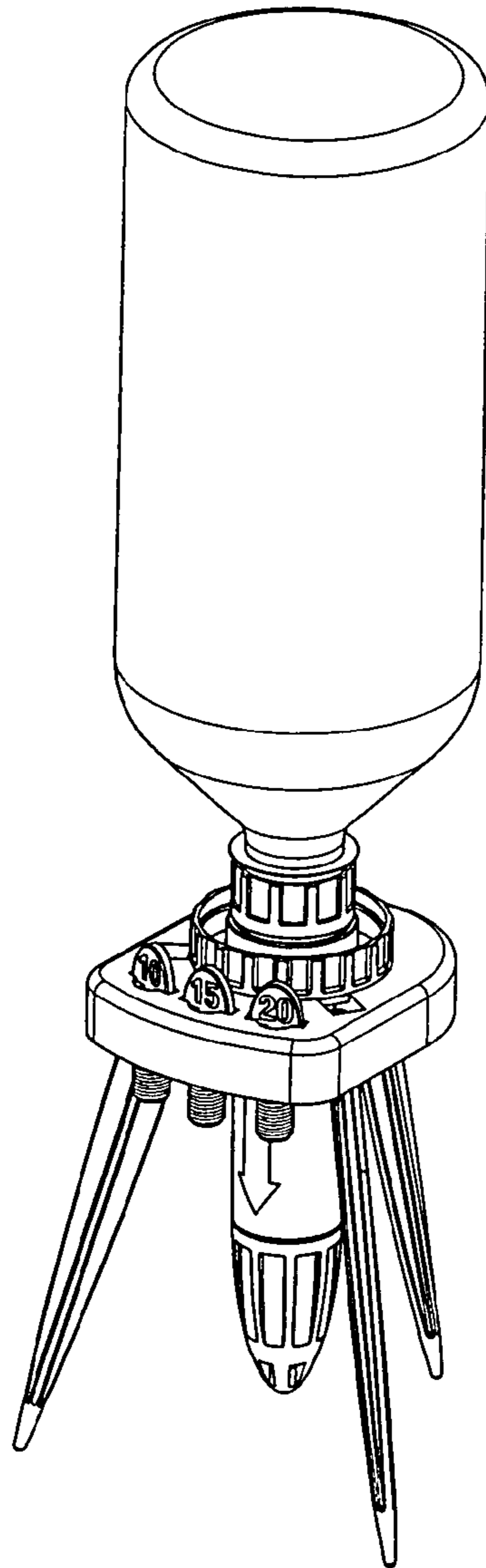


FIG.1

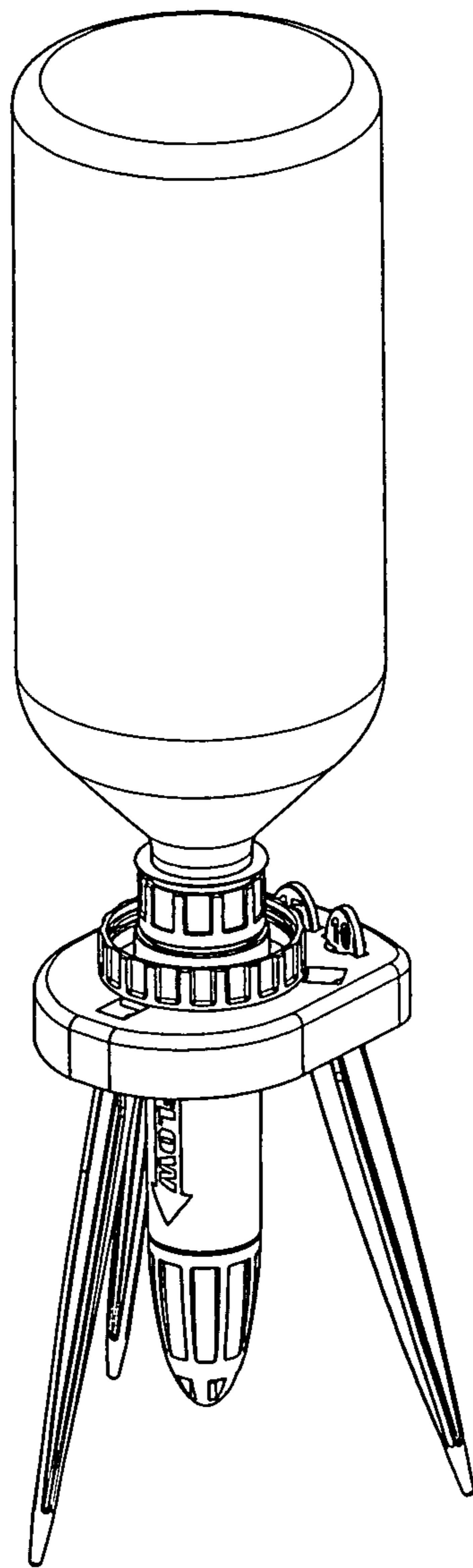


FIG.2

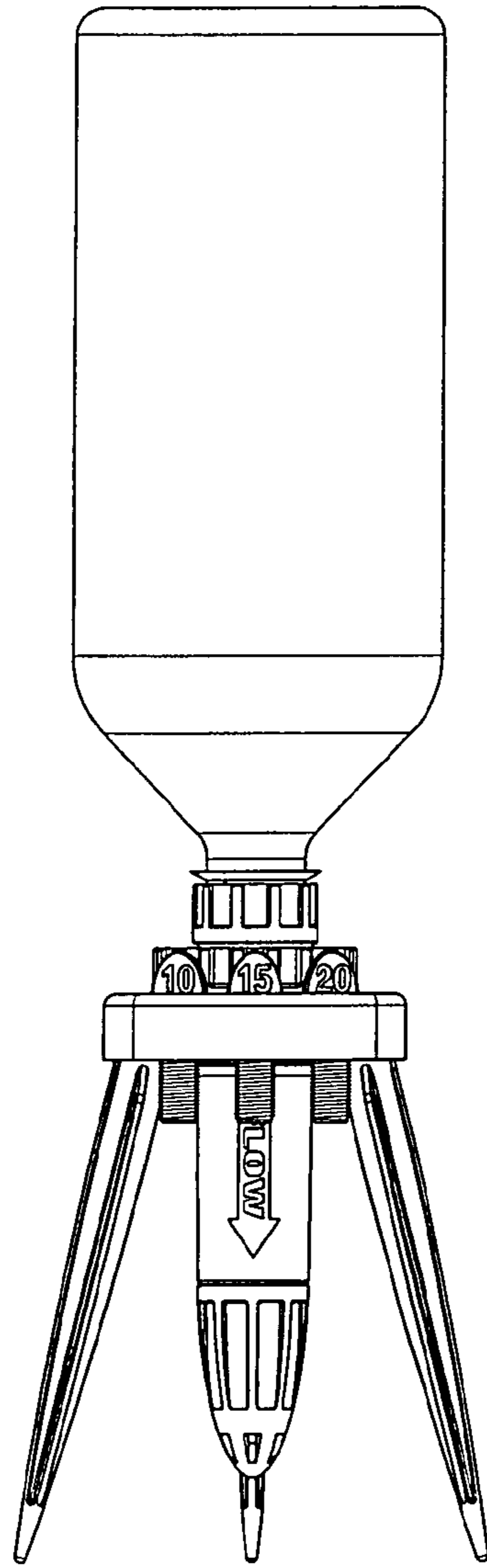


FIG.3

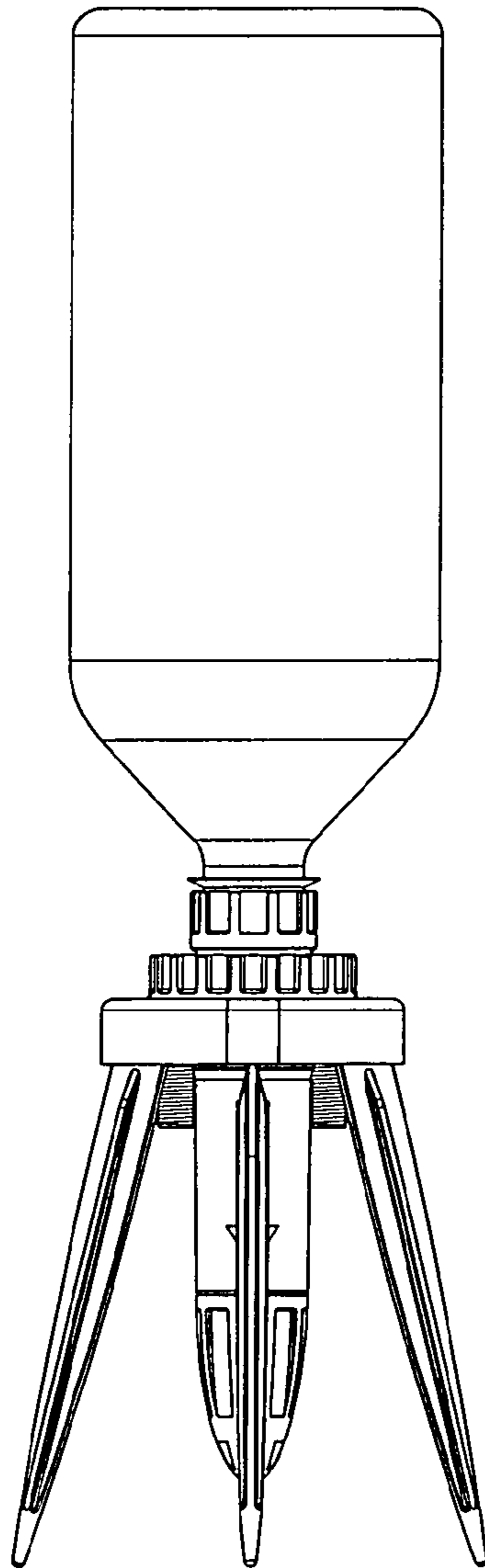


FIG.4

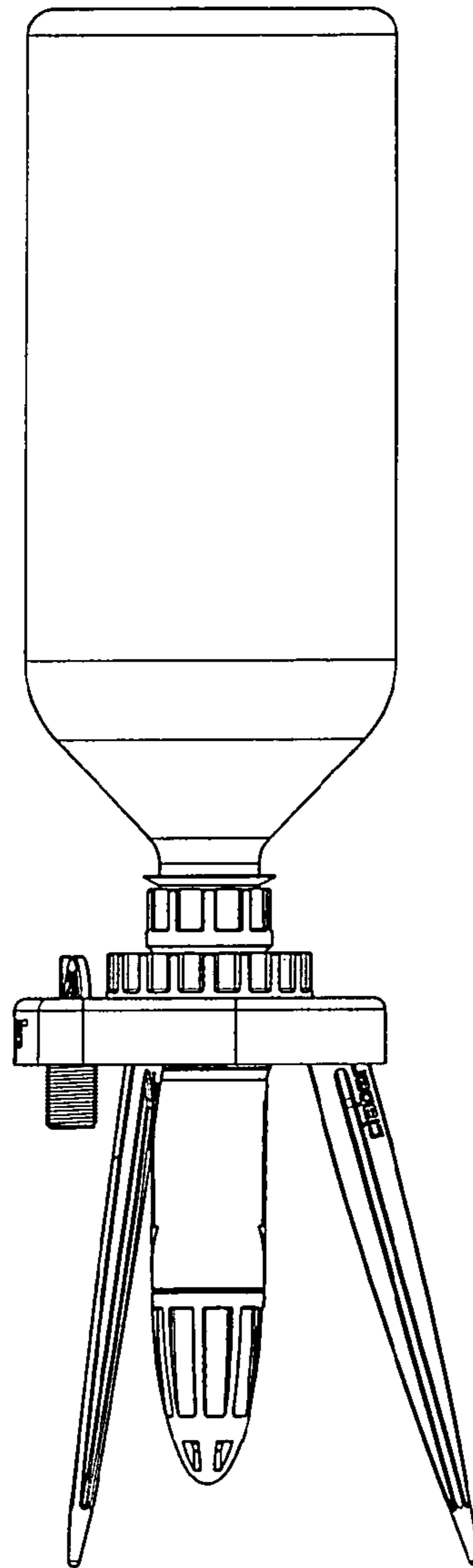


FIG.5

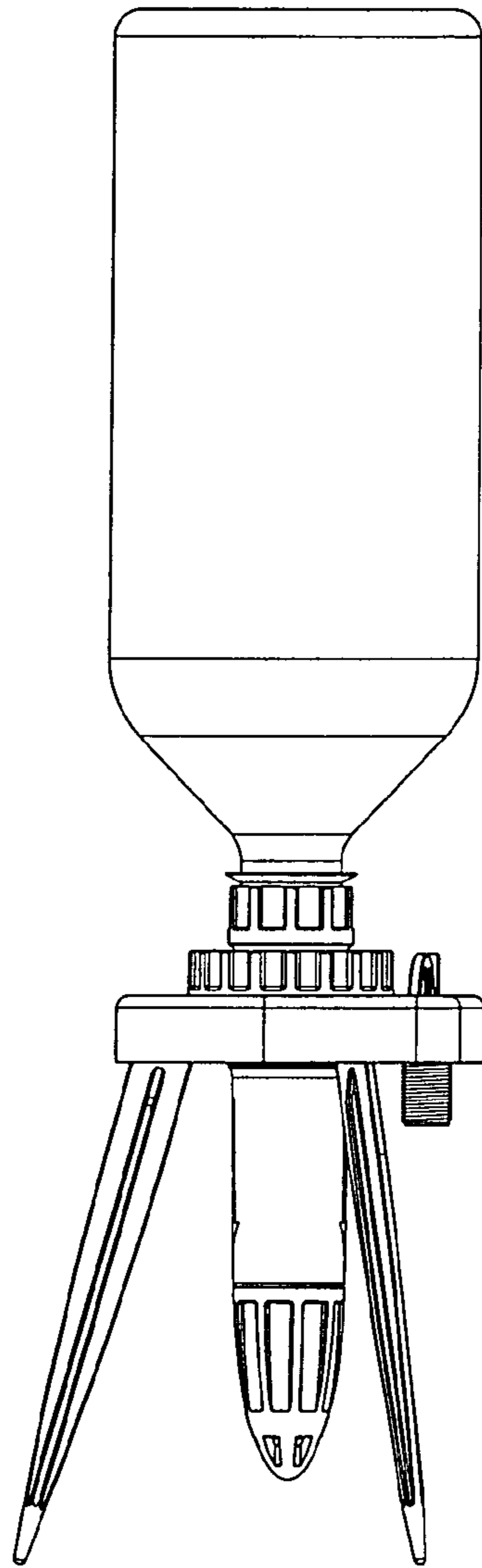


FIG.6

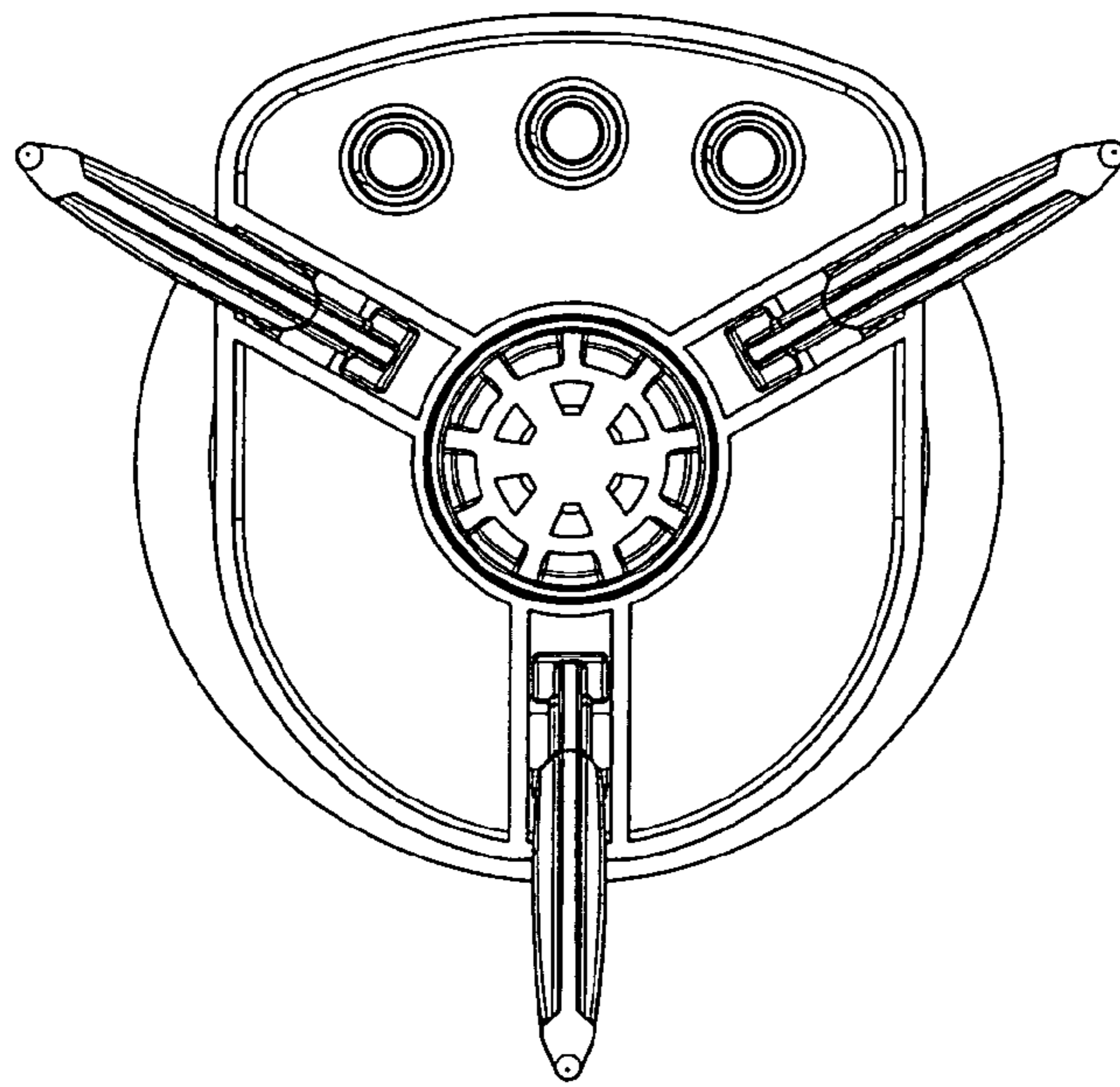


FIG. 7