



US00D644073S

(12) **United States Design Patent**  
**Nottke**

(10) **Patent No.:** **US D644,073 S**  
(45) **Date of Patent:** **\*\* Aug. 30, 2011**

(54) **JERKY ROLLER**  
(76) Inventor: **Ryan T. Nottke**, Bellevue, OH (US)  
(\*\*) Term: **14 Years**  
(21) Appl. No.: **29/304,072**  
(22) Filed: **Feb. 25, 2008**  
(51) **LOC (9) Cl.** ..... **07-04**  
(52) **U.S. Cl.** ..... **D7/697**  
(58) **Field of Classification Search** ..... D7/368,  
D7/669, 682, 697; D21/673, 674, 675, 679,  
D21/680, 681, 682; 7/110, 111; 15/230.11;  
425/458, 363, 374; 492/13, 14, 10, 15, 16,  
492/17, 19; D8/349, 376; D3/5, 7; D23/266;  
D19/89; 135/65, 66, 74; 285/65, 66; 16/96 D;  
138/155  
See application file for complete search history.

2,673,532 A \* 3/1954 Stair ..... 7/111  
2,683,428 A \* 7/1954 Neal ..... 99/450.1  
2,721,524 A \* 10/1955 Osborn ..... 492/14  
D180,050 S \* 4/1957 Tuppe ..... D7/697  
2,884,777 A \* 5/1959 Kremen ..... 69/42  
2,987,990 A 6/1961 Mazza  
3,116,627 A \* 1/1964 Mani et al. .... 69/42  
3,224,598 A \* 12/1965 Austgen ..... 213/1 R  
3,653,338 A \* 4/1972 Sauey ..... 492/14  
3,664,849 A 5/1972 Autry  
D240,288 S \* 6/1976 Wright ..... D7/672  
3,994,652 A \* 11/1976 Kuzyk ..... 425/298  
D243,013 S \* 1/1977 Jones et al. .... D19/37  
4,070,742 A 1/1978 Dorfman  
4,239,785 A 12/1980 Roth  
4,435,145 A \* 3/1984 Abrams ..... 425/458  
D285,640 S \* 9/1986 Schmidt ..... D7/697  
4,615,901 A 10/1986 Yoshioka et al.  
D291,760 S \* 9/1987 Fallgatter et al. .... D7/697  
4,815,919 A 3/1989 Juravic  
4,868,002 A 9/1989 Scaglione et al.  
D303,742 S \* 10/1989 Reid ..... D6/499  
D303,887 S \* 10/1989 Reid ..... D6/499  
D306,886 S \* 3/1990 Shiek et al. .... D21/662

(Continued)

(56) **References Cited**

U.S. PATENT DOCUMENTS

29,006 A \* 7/1860 Rice et al. .... 492/14  
330,421 A \* 11/1885 Prentis ..... 7/111  
367,578 A \* 8/1887 Babb ..... 285/66  
409,564 A \* 8/1889 Curtis ..... 492/11  
534,460 A \* 2/1895 Wolff et al. .... 492/11  
599,171 A \* 2/1898 Fowler ..... 7/111  
643,780 A \* 2/1900 Pitcher ..... 492/14  
706,847 A \* 8/1902 Petersen ..... 285/66  
781,812 A \* 2/1905 Deiter ..... 7/111  
822,423 A \* 6/1906 Bates ..... 285/66  
857,308 A \* 6/1907 Sanford ..... 492/14  
1,023,226 A \* 4/1912 Spangler ..... 7/111  
1,212,039 A \* 1/1917 Fletcher ..... 492/14  
1,325,260 A \* 12/1919 Morris ..... 492/14  
1,385,916 A \* 7/1921 Harris ..... 492/14  
1,405,920 A \* 2/1922 Kerr et al. .... 492/14  
1,428,544 A \* 9/1922 Graham ..... 400/491  
1,438,544 A \* 12/1922 Miller ..... 492/14  
1,443,579 A \* 1/1923 Lippincott ..... 285/419  
1,561,203 A \* 11/1925 Anderson ..... 492/14

*Primary Examiner* — Stella Reid

*Assistant Examiner* — Elizabeth J Oswecki

(74) *Attorney, Agent, or Firm* — Donald K. Wedding

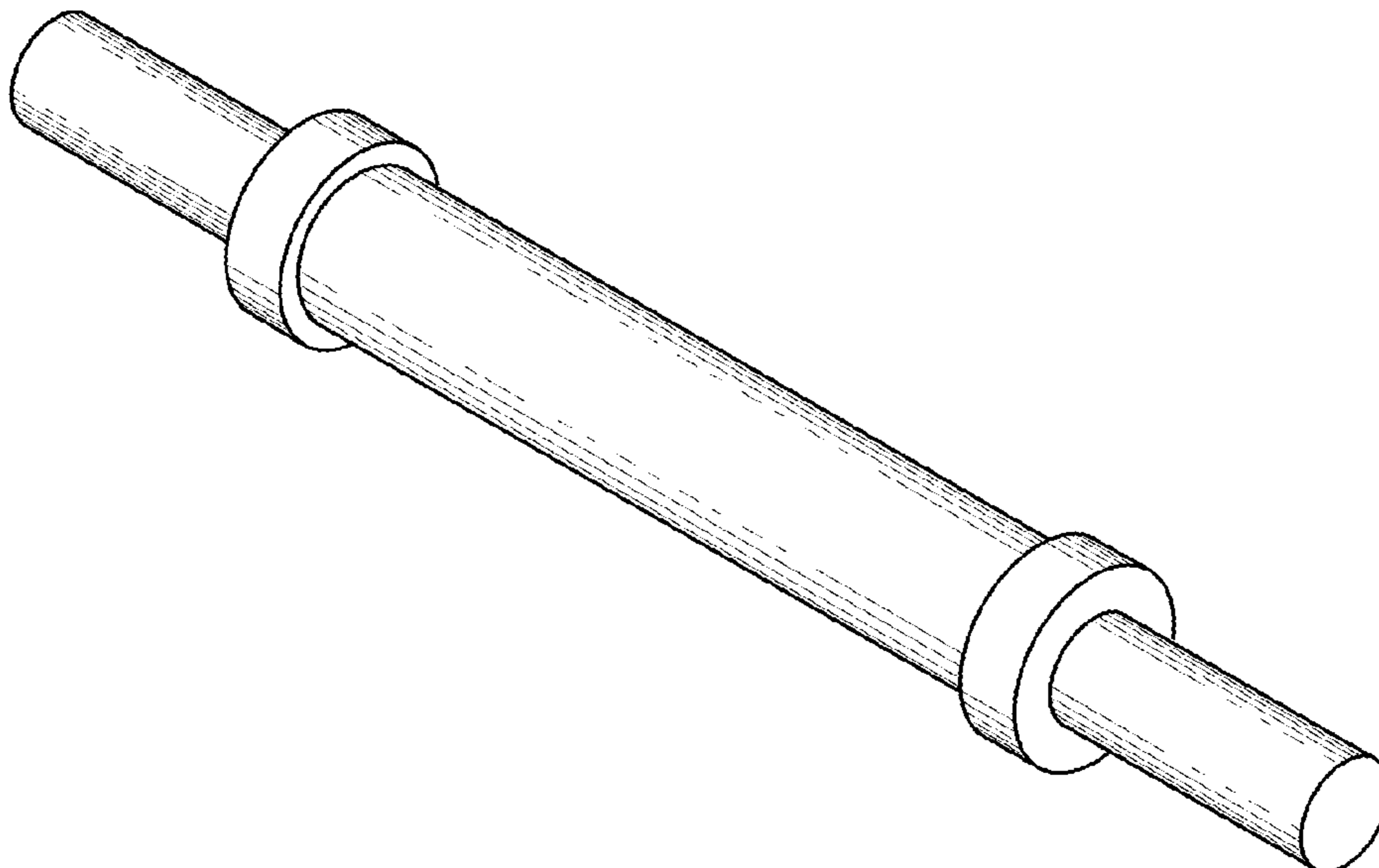
(57) **CLAIM**

The ornamental design for a jerky roller, as shown and described.

**DESCRIPTION**

FIG. 1 is a perspective view of a jerky roller showing my new design;  
FIG. 2 is a top view thereof, the bottom view being identical thereof; and,  
FIG. 3 is an end view thereof, the opposite end view being identical thereof.

**1 Claim, 2 Drawing Sheets**



# US D644,073 S

Page 2

---

## U.S. PATENT DOCUMENTS

D378,386 S *	3/1997	Brubaker .....	D21/680	7,070,495 B2	7/2006	Kindermann	
D388,848 S *	1/1998	Sontz et al. ....	D21/679	D583,883 S *	12/2008	Thomas .....	D21/679
D389,038 S *	1/1998	Rosul .....	D8/376	7,686,752 B2 *	3/2010	Dua et al. ....	492/14
6,132,345 A *	10/2000	Beierschmitt et al. ....	482/108	7,722,516 B2 *	5/2010	Orlady .....	492/14
D443,187 S *	6/2001	Wright .....	D7/697	D617,401 S *	6/2010	Kulka .....	D21/692
6,672,202 B2	1/2004	Völkl		7,854,696 B2 *	12/2010	Price .....	492/57
D516,901 S *	3/2006	Murray .....	D8/376	2007/0197352 A1 *	8/2007	Charniga et al. ....	482/93

\* cited by examiner

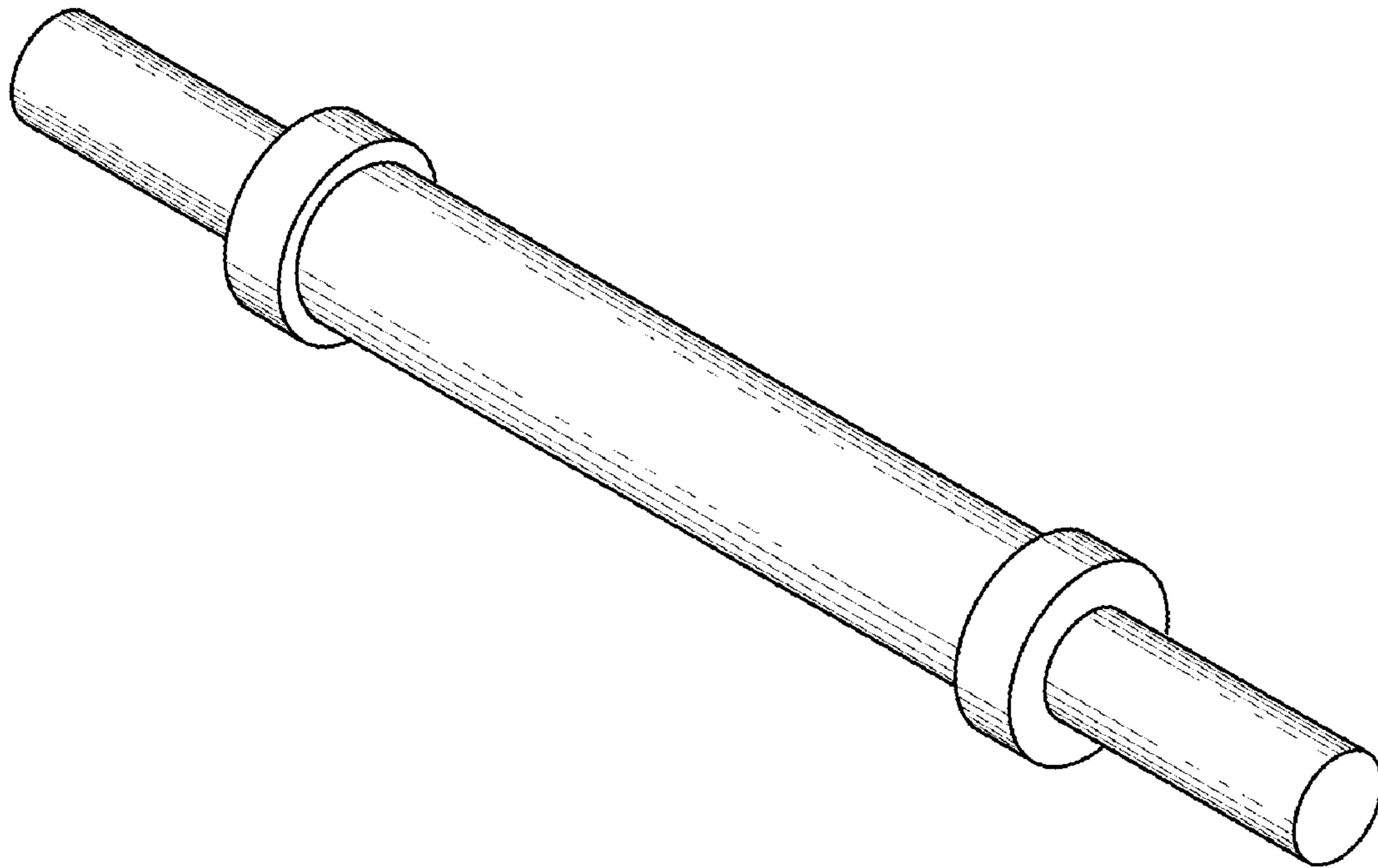


Fig. 1

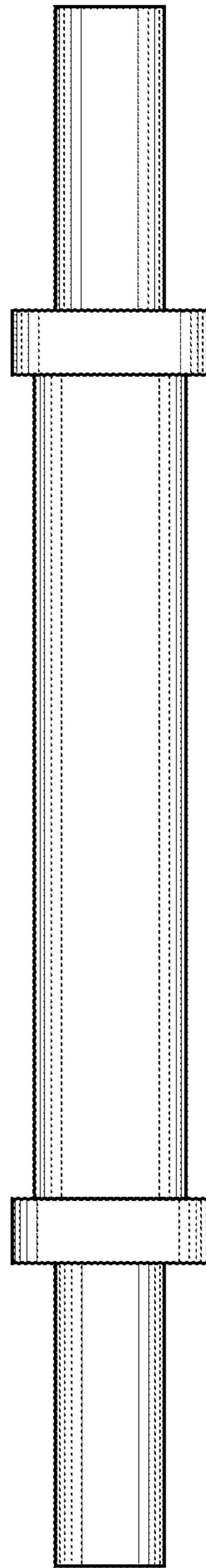


Fig. 2

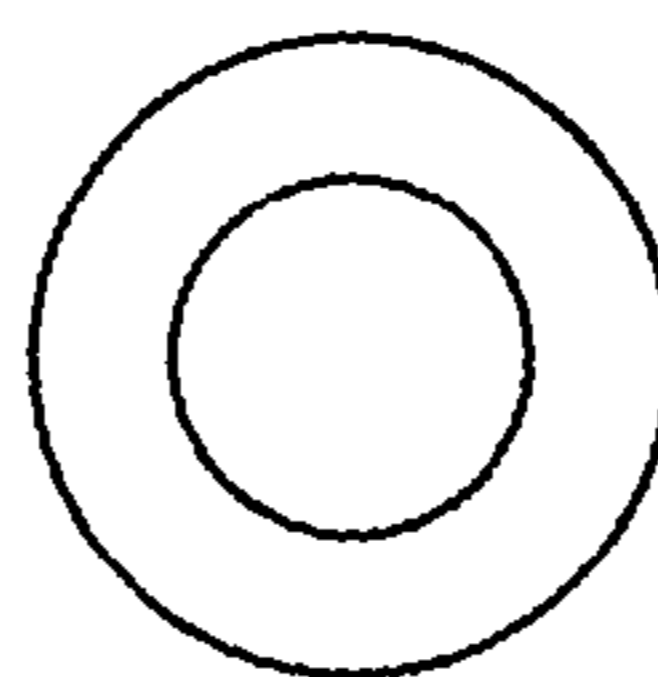


Fig. 3