

US00D644068S

(12) **United States Design Patent**  
**Usrey**

(10) **Patent No.:** **US D644,068 S**

(45) **Date of Patent:** **\*\* Aug. 30, 2011**

(54) **SERVING DISH**

(76) **Inventor:** **Overton Lee Usrey, Topock, AZ (US)**

(\*\*) **Term:** **14 Years**

(21) **Appl. No.:** **29/377,000**

(22) **Filed:** **Oct. 15, 2010**

(51) **LOC (9) Cl.** ..... **07-01**

(52) **U.S. Cl.** ..... **D7/538**

(58) **Field of Classification Search** ..... D7/584,  
D7/548, 505, 538, 501, 500, 590, 600.2, 585,  
D7/586, 588, 550.1; 220/23.2, 23.4, 23.8,  
220/23.83; 206/216; D9/743, 749, 755,  
D9/424, 433; D6/406.2; 211/131.1, 163  
See application file for complete search history.

(56) **References Cited**

**U.S. PATENT DOCUMENTS**

700,653	A *	5/1902	Jobson	.....	215/227
1,607,865	A *	11/1926	Butler	.....	206/542
D487,675	S *	3/2004	Overthun et al.	.....	D7/667
D547,124	S *	7/2007	Peretz	.....	D7/538
D568,693	S *	5/2008	Furlong	.....	D7/629
D575,115	S *	8/2008	Zimmerman	.....	D7/629

D577,960	S *	10/2008	Ersan	.....	D7/541
D605,469	S *	12/2009	Wingfield et al.	.....	D7/538
D628,021	S *	11/2010	Curtin	.....	D7/629
D633,757	S *	3/2011	Smyers	.....	D7/629
D636,641	S *	4/2011	Smyers	.....	D7/629
2004/0094548	A1 *	5/2004	Laveault	.....	220/212

\* cited by examiner

*Primary Examiner* — Cynthia Underwood

(74) *Attorney, Agent, or Firm* — QuickPatents, Inc.; Kevin Prince

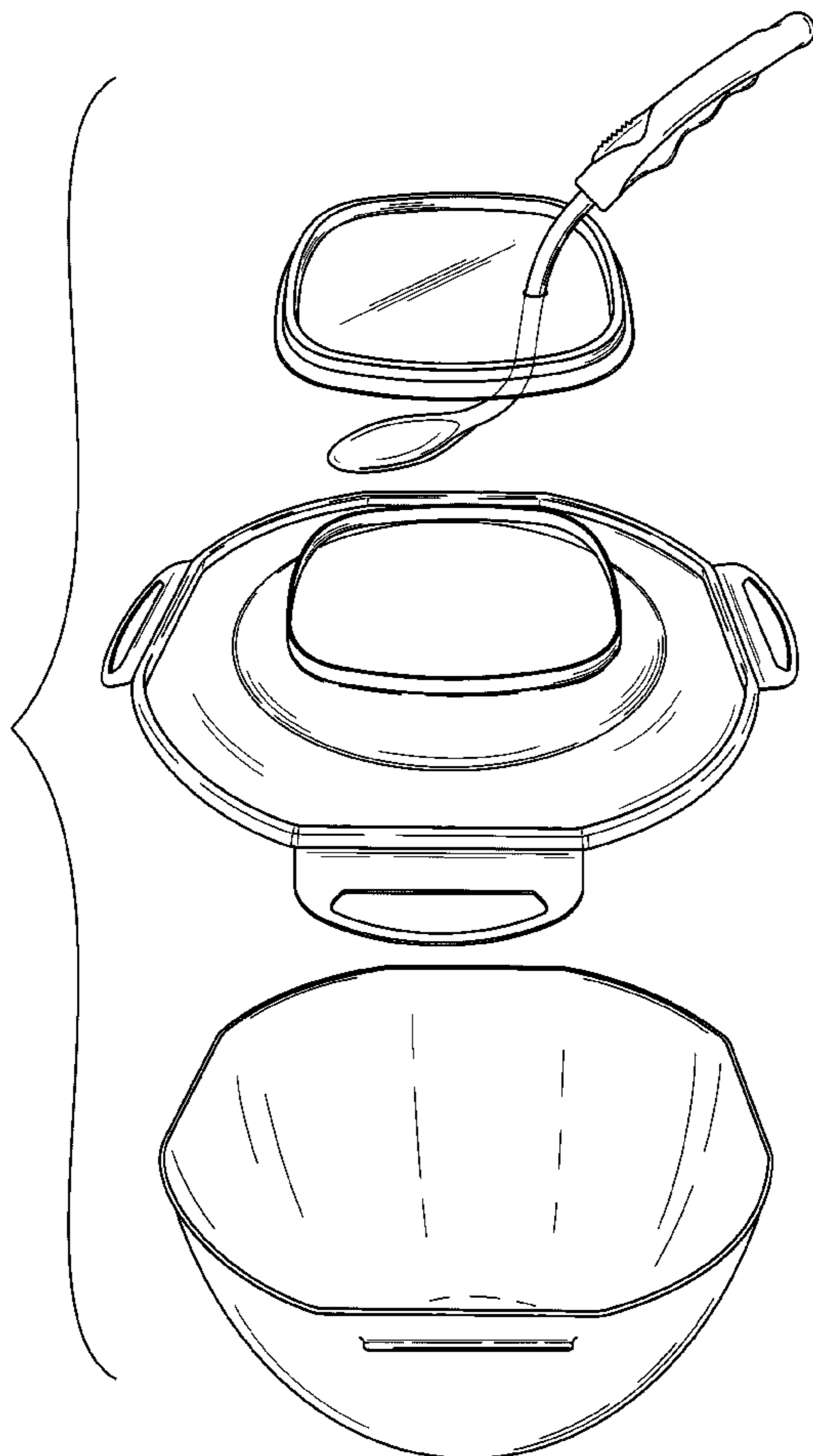
(57) **CLAIM**

What is claimed is the ornamental design for a serving dish, as shown and described.

**DESCRIPTION**

FIG. 1 is a top exploded perspective view of a serving dish, showing the new design;  
FIG. 2 is a bottom exploded perspective view thereof;  
FIG. 3 is a front elevational view thereof;  
FIG. 4 is a rear elevational view thereof;  
FIG. 5 is a left-side elevational view thereof, the right-side elevational view being a mirror image thereof;  
FIG. 6 is a top plan view thereof; and,  
FIG. 7 is a bottom plan view thereof.

**1 Claim, 5 Drawing Sheets**



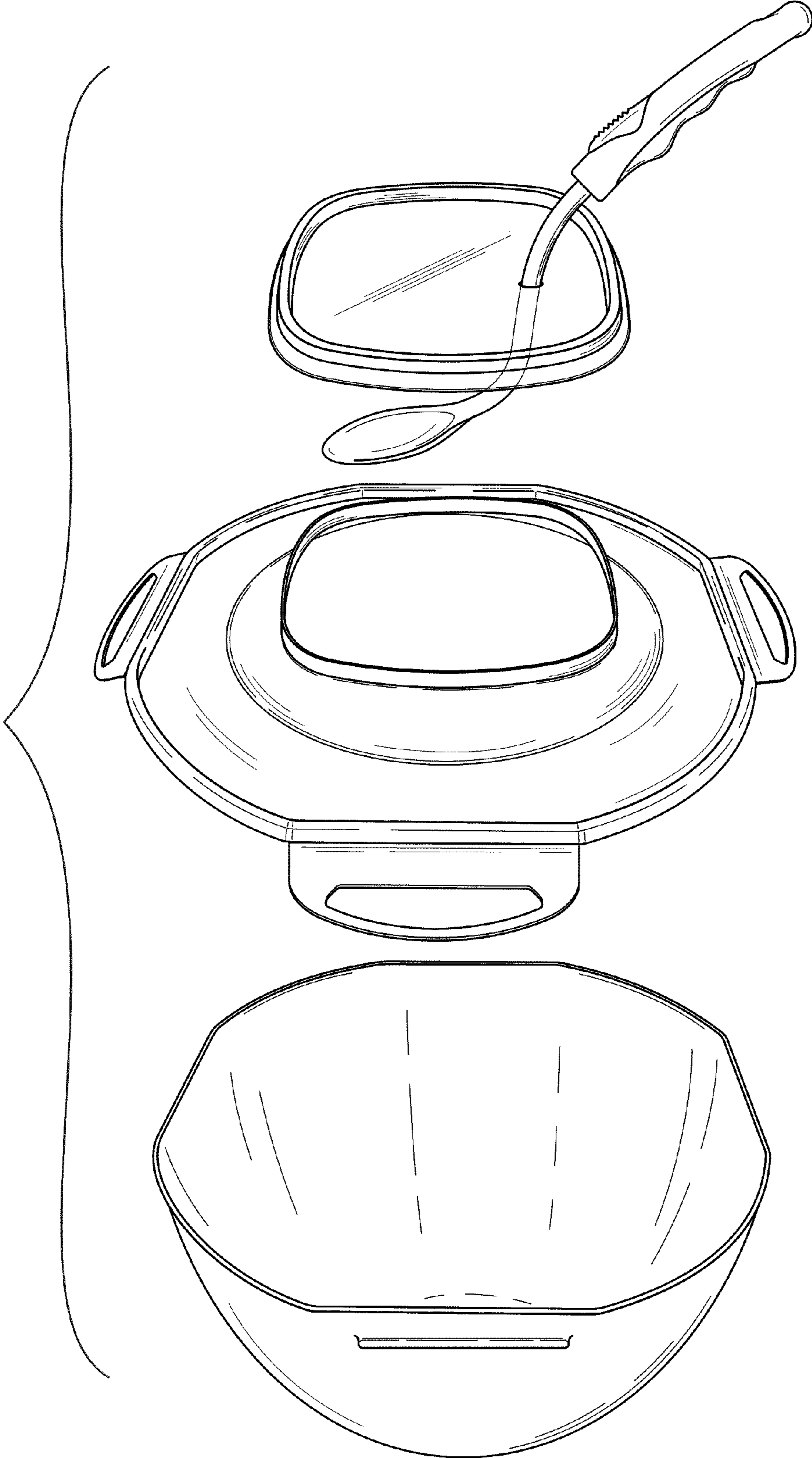


FIG. 1

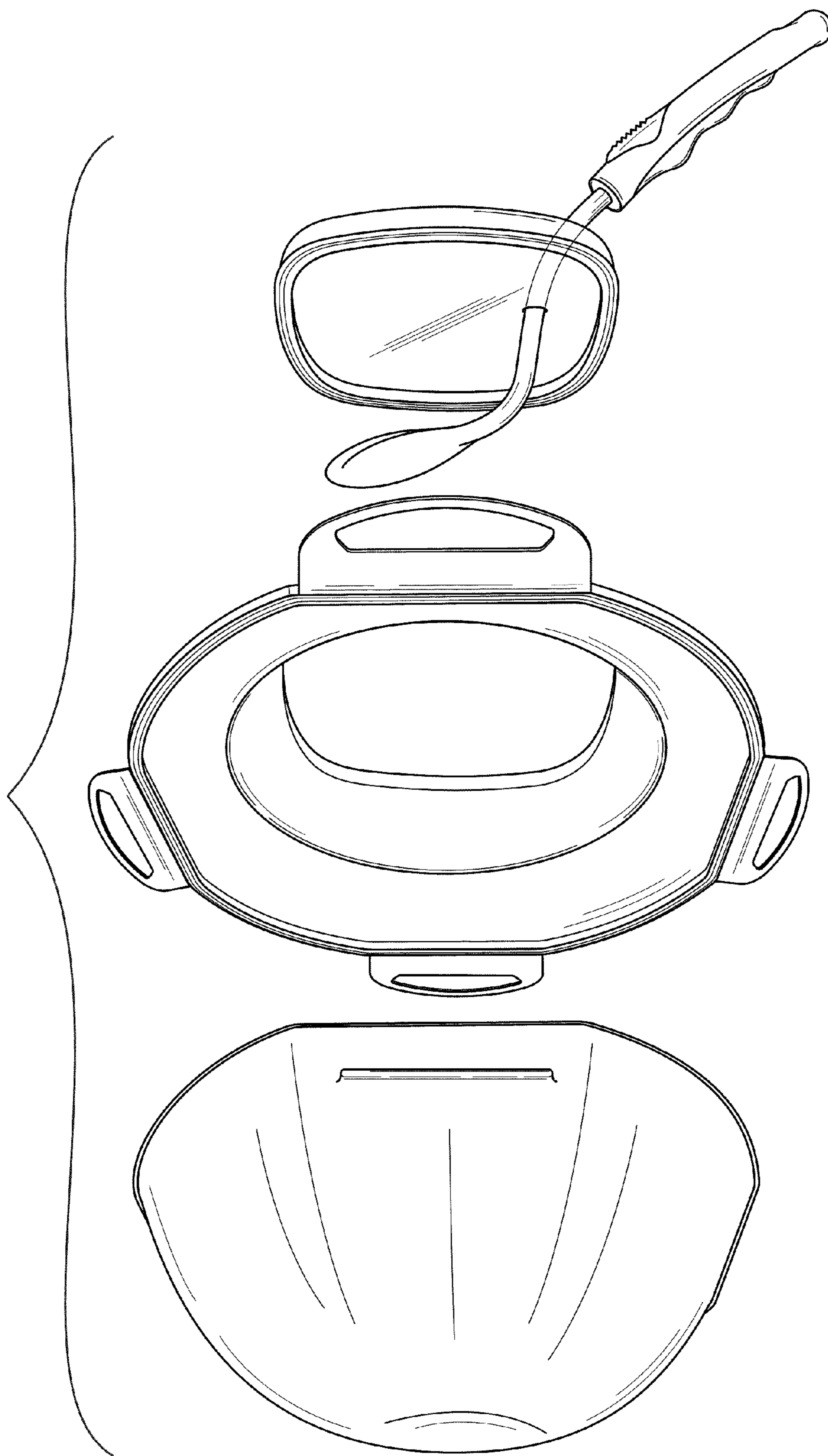


FIG. 2

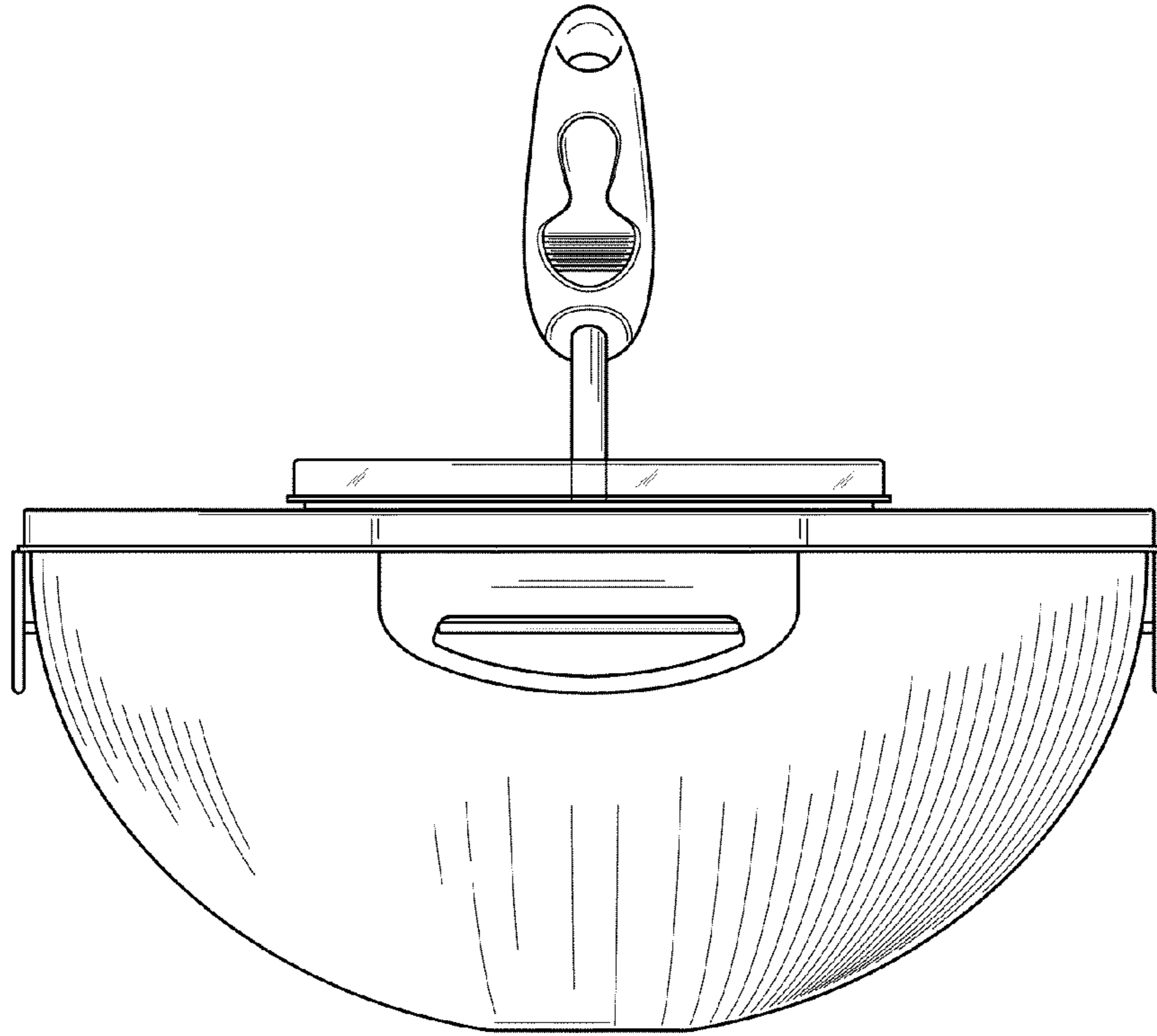


FIG. 3

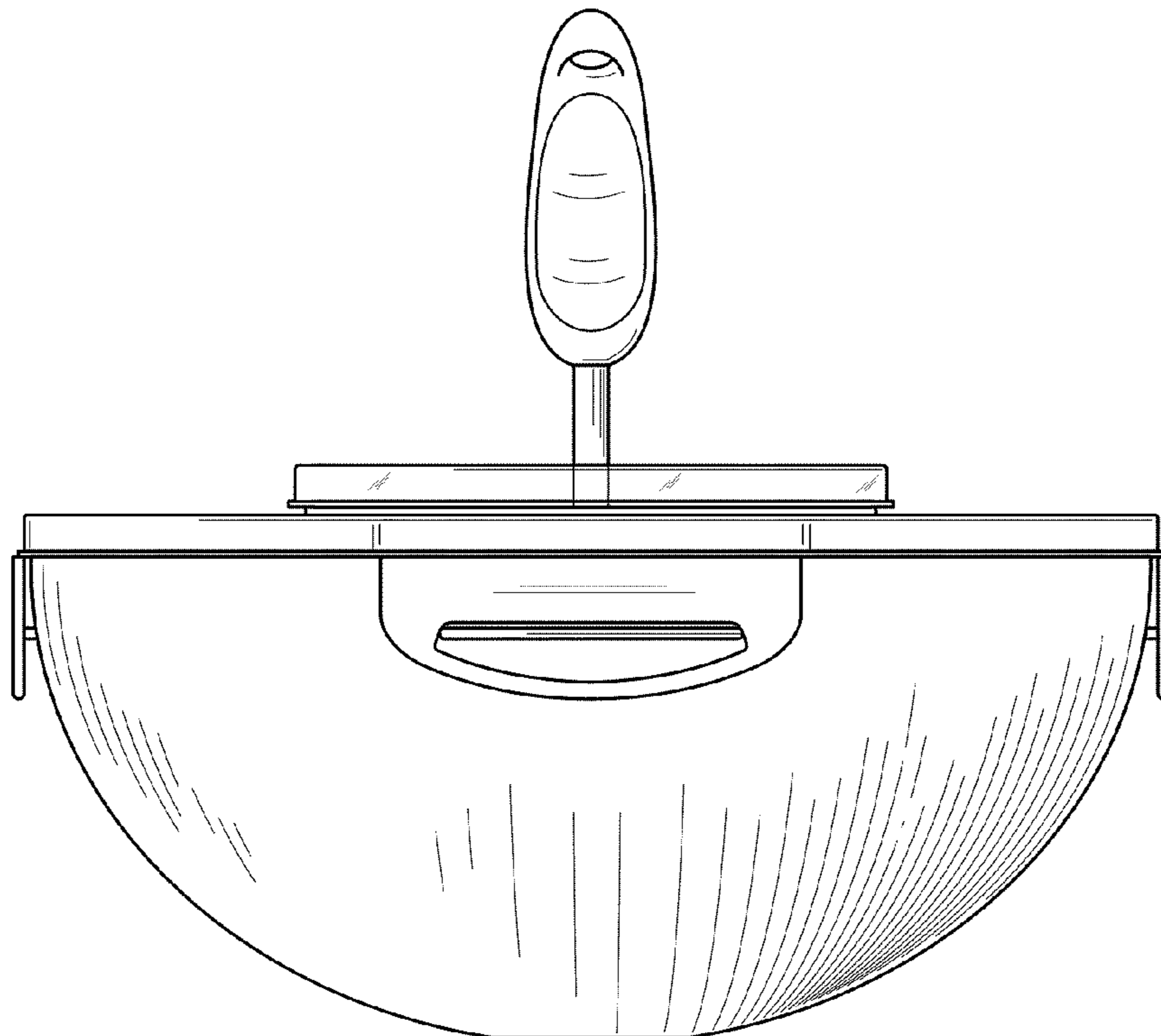


FIG. 4

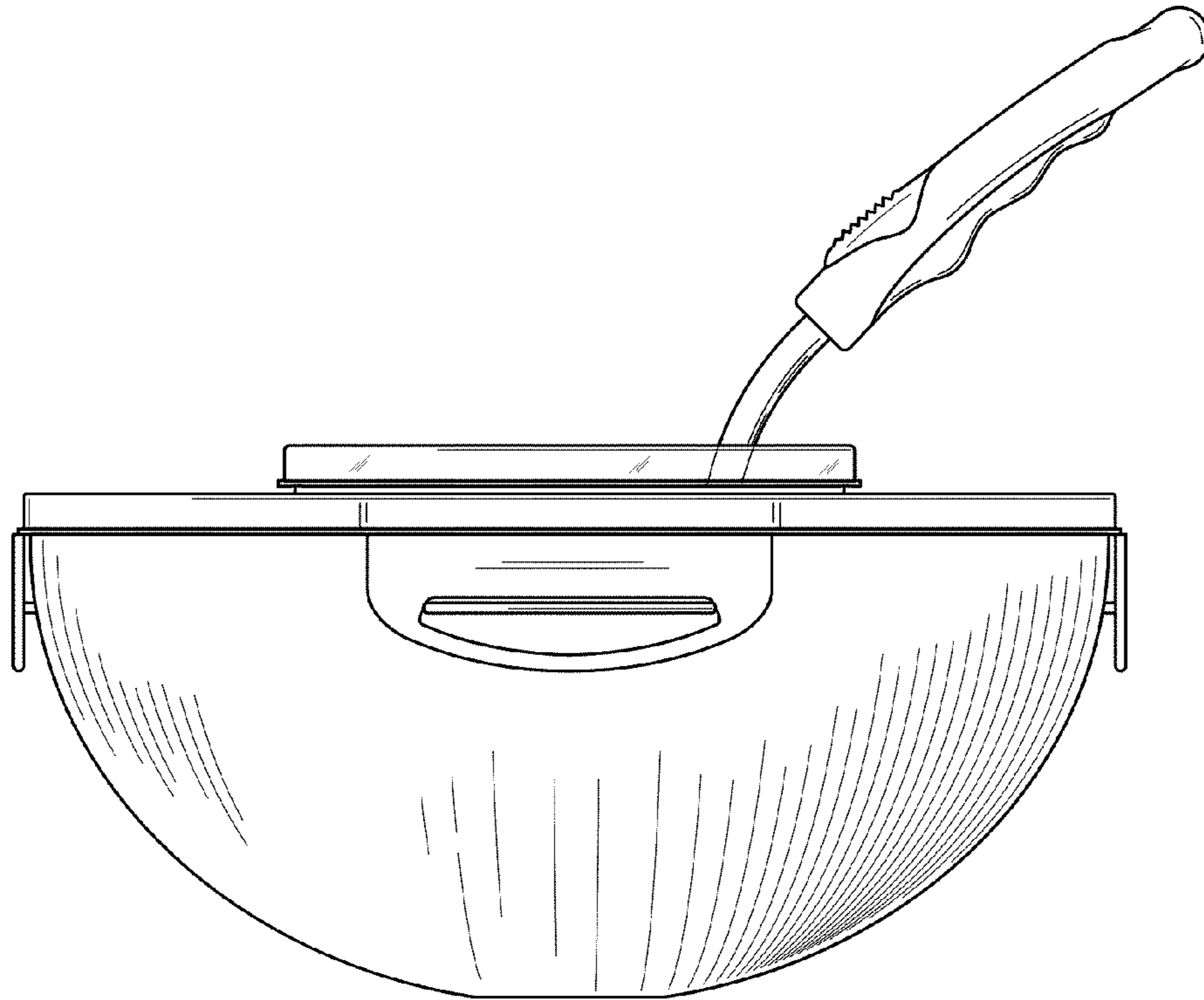


FIG. 5

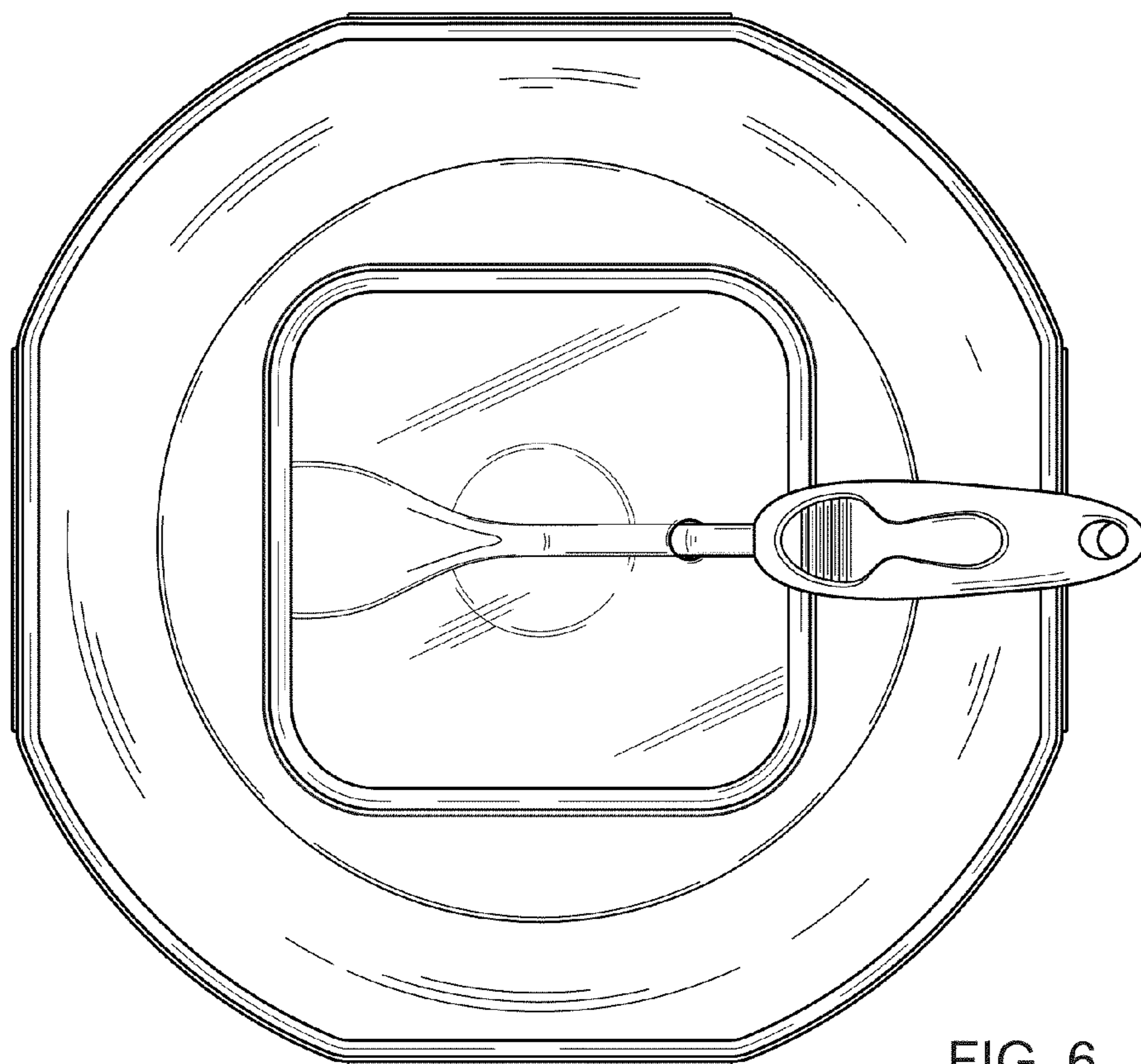


FIG. 6

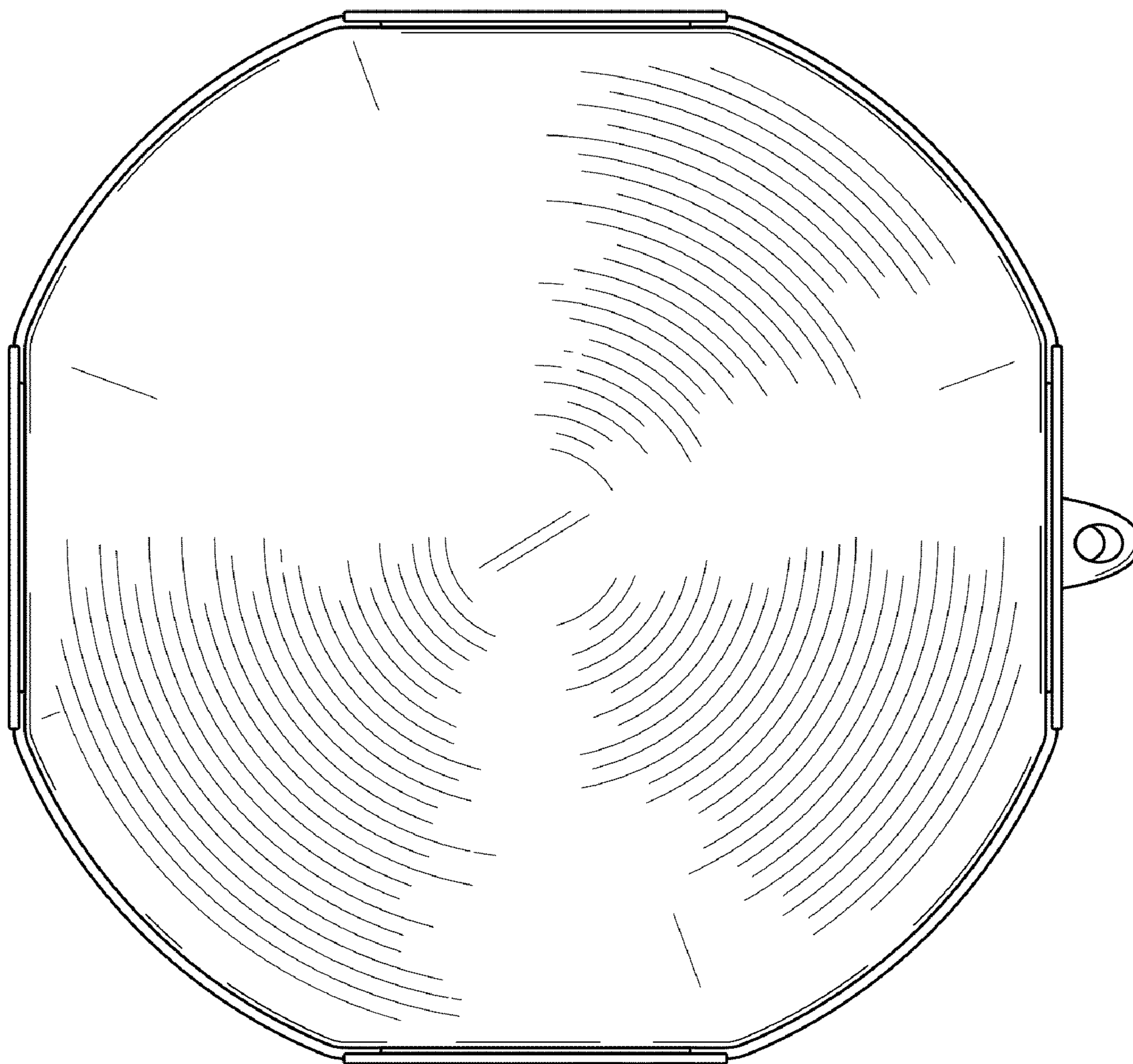


FIG. 7