



US00D644066S

(12) **United States Design Patent**
Hotell et al.

(10) **Patent No.:** **US D644,066 S**

(45) **Date of Patent:** **** Aug. 30, 2011**

(54) **CONTAINER**

(75) Inventors: **Christopher William Hotell**, Carlsbad, CA (US); **Gretchen Elizabeth Bleiler**, Carlsbad, CA (US); **Marta Scott Hotell**, Carlsbad, CA (US); **Gregory Thomas Janky**, Sammamish, WA (US); **Treasure Lynae Hinds**, Seattle, WA (US)

(73) Assignee: **Nice Reusables, Inc.**, Carlsbad, CA (US)

(**) Term: **14 Years**

(21) Appl. No.: **29/370,215**

(22) Filed: **Jun. 16, 2010**

(51) **LOC (9) Cl.** **07-01**

(52) **U.S. Cl.** **D7/532; D7/523; D9/502**

(58) **Field of Classification Search** **D7/532, D7/523, 507, 509, 510, 511; D9/502, 503; 220/703**

See application file for complete search history.

(56) **References Cited**

U.S. PATENT DOCUMENTS

924,969	A *	6/1909	De Wolf	73/426
1,107,700	A *	8/1914	Pick	215/382
1,748,483	A *	2/1930	Hyde	99/508
D96,566	S *	8/1935	Straus	D7/532
2,782,614	A *	2/1957	Currie	220/718
D189,302	S *	11/1960	Skupien	D7/523
D232,048	S *	7/1974	Bannberger	D11/149
D250,314	S *	11/1978	Elliott et al.	D7/511
D547,123	S *	7/2007	Sandberg	D7/532
D562,137	S *	2/2008	Florio	D9/502
D573,406	S *	7/2008	Thurmond, Jr.	D7/532
D601,852	S *	10/2009	Newman	D7/532
D623,460	S *	9/2010	Krasner	D7/300.1
D627,601	S *	11/2010	Eyal	D7/510
D634,162	S *	3/2011	Holscher	D7/532

* cited by examiner

Primary Examiner — Marianne Pandozzi

(74) *Attorney, Agent, or Firm* — Gregory K. Nelson

(57) **CLAIM**

The ornamental design for a container, as shown and described.

DESCRIPTION

FIG. 1 is a front perspective view of the container of the present invention;

FIG. 2 is a front elevational view thereof, the rear elevational view, left-side elevational view and right-side elevational view being identical;

FIG. 3 is a bottom plan view thereof;

FIG. 4 is a top plan view thereof;

FIG. 5 is a front perspective view of a second embodiment of the container;

FIG. 6 is a front elevational view of the container of FIG. 5, the rear elevational view, left-side elevational view, and right-side elevational view being identical;

FIG. 7 is a bottom plan view of the container of FIG. 5;

FIG. 8 is a top plan view of the container of FIG. 5;

FIG. 9 is a front perspective view of a third embodiment of the container;

FIG. 10 is a front elevational view of the container of FIG. 9, the rear elevational view, left-side elevational view, and right-side elevational view being identical;

FIG. 11 is a bottom plan view of the container of FIG. 9;

FIG. 12 is a top plan view of the container of FIG. 9;

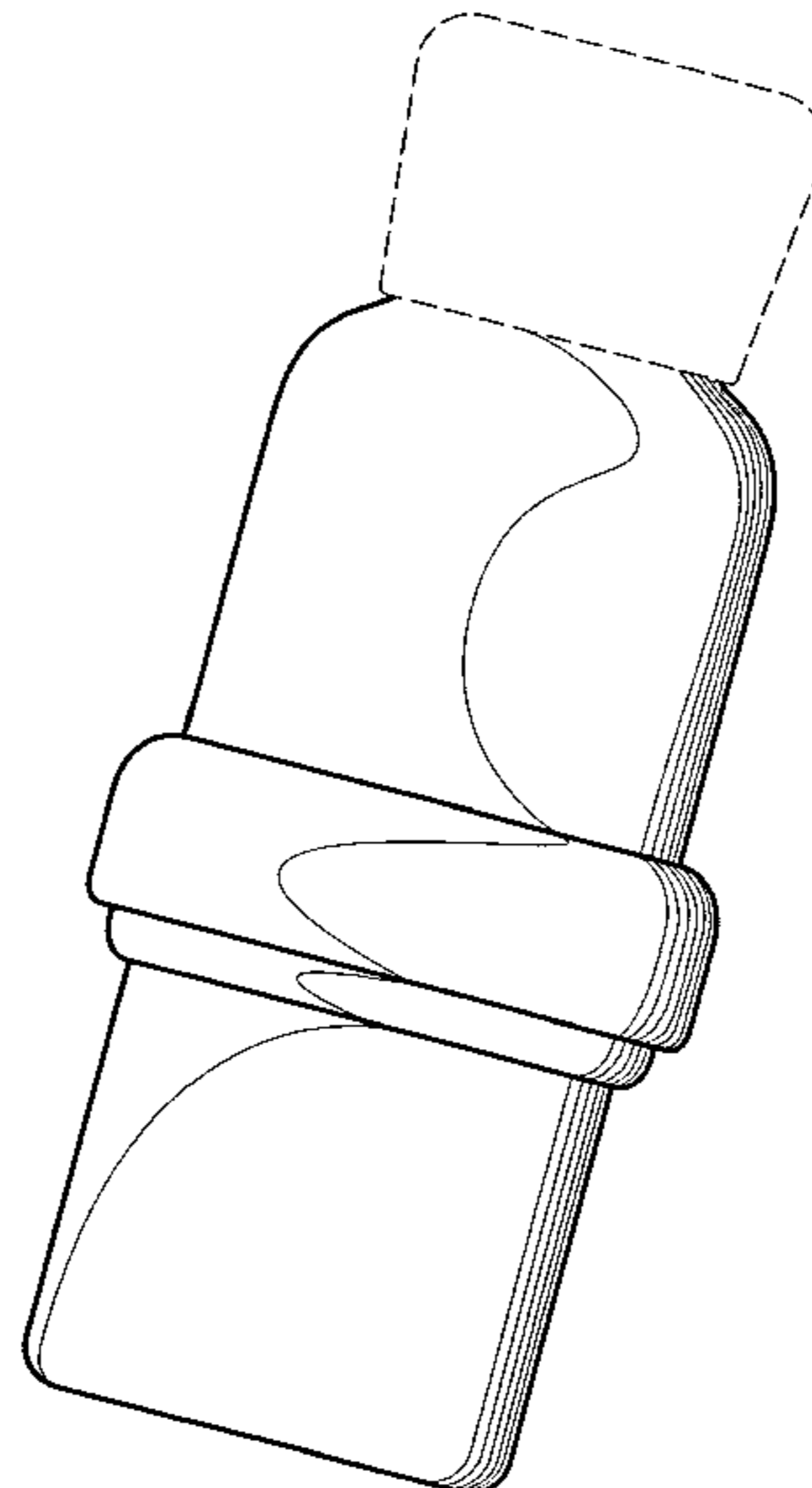
FIG. 13 is a front perspective view of a fourth embodiment of the container;

FIG. 14 is a front elevational view of the container of FIG. 13, the rear elevational view, left-side elevational view, and right-side elevational view being identical;

FIG. 15 is a bottom plan view of the container of FIG. 13; and, FIG. 16 is a top plan view of the container of FIG. 13.

The broken lines in the drawings are included for the purpose of illustration and form no part of the claimed design.

1 Claim, 12 Drawing Sheets



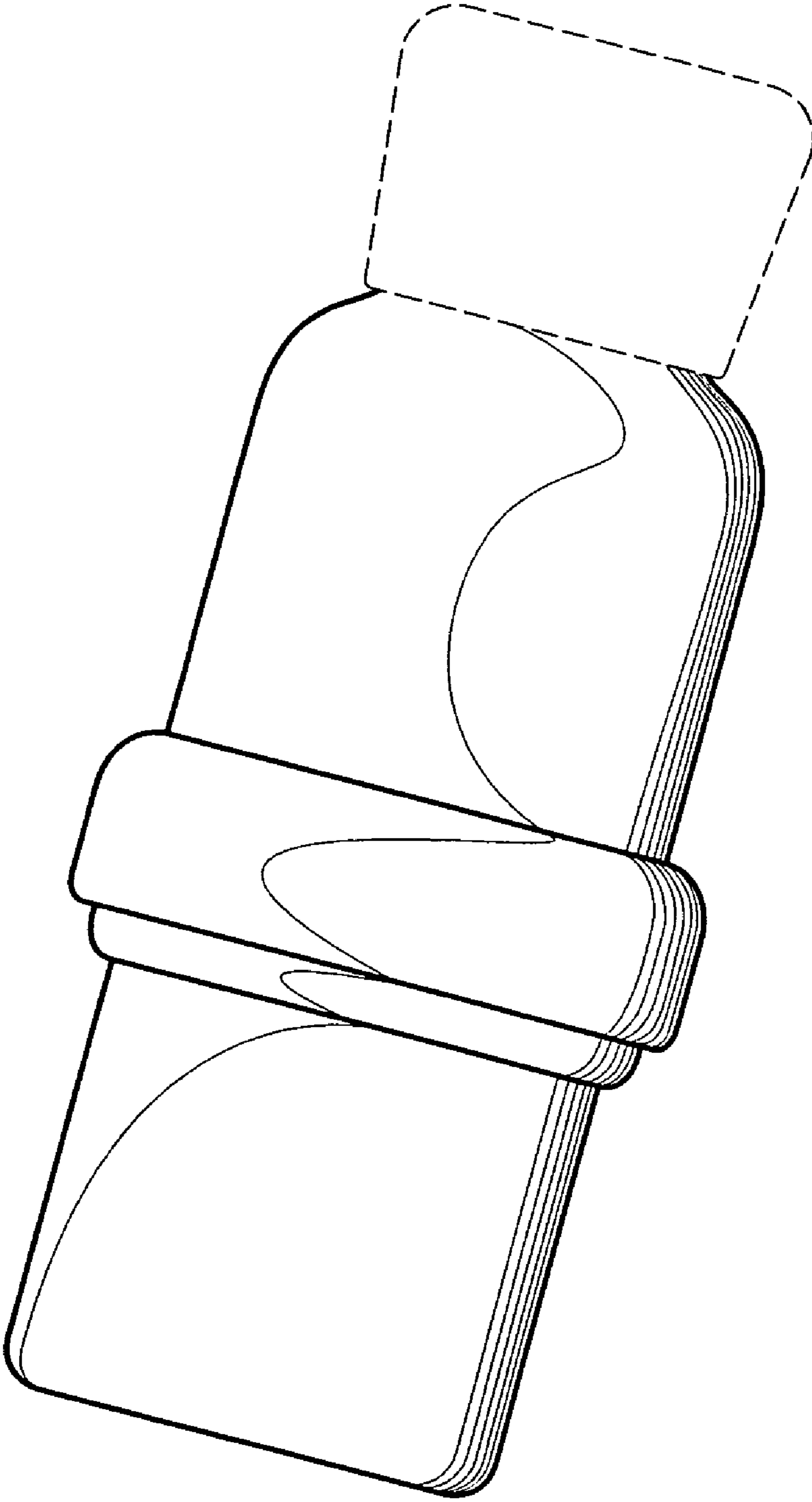


Fig. 1

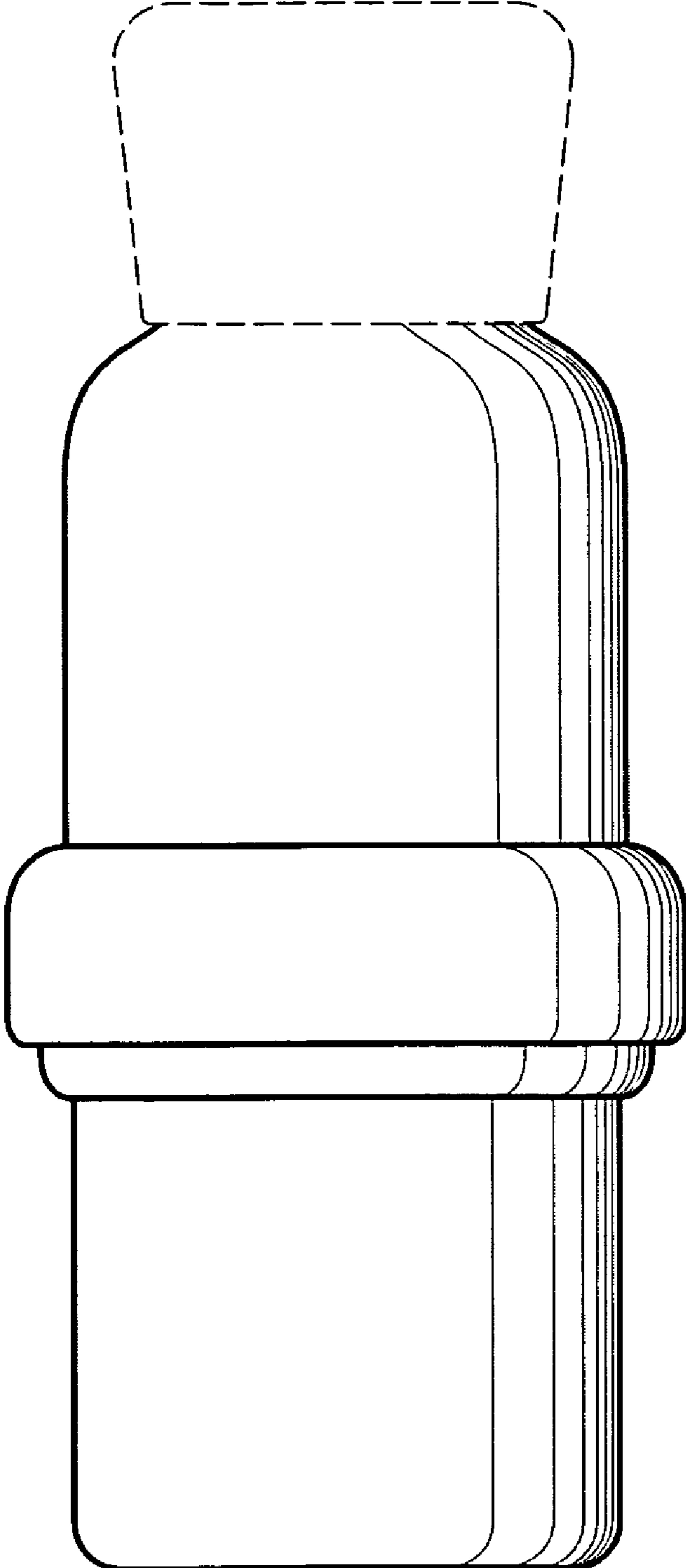


Fig. 2

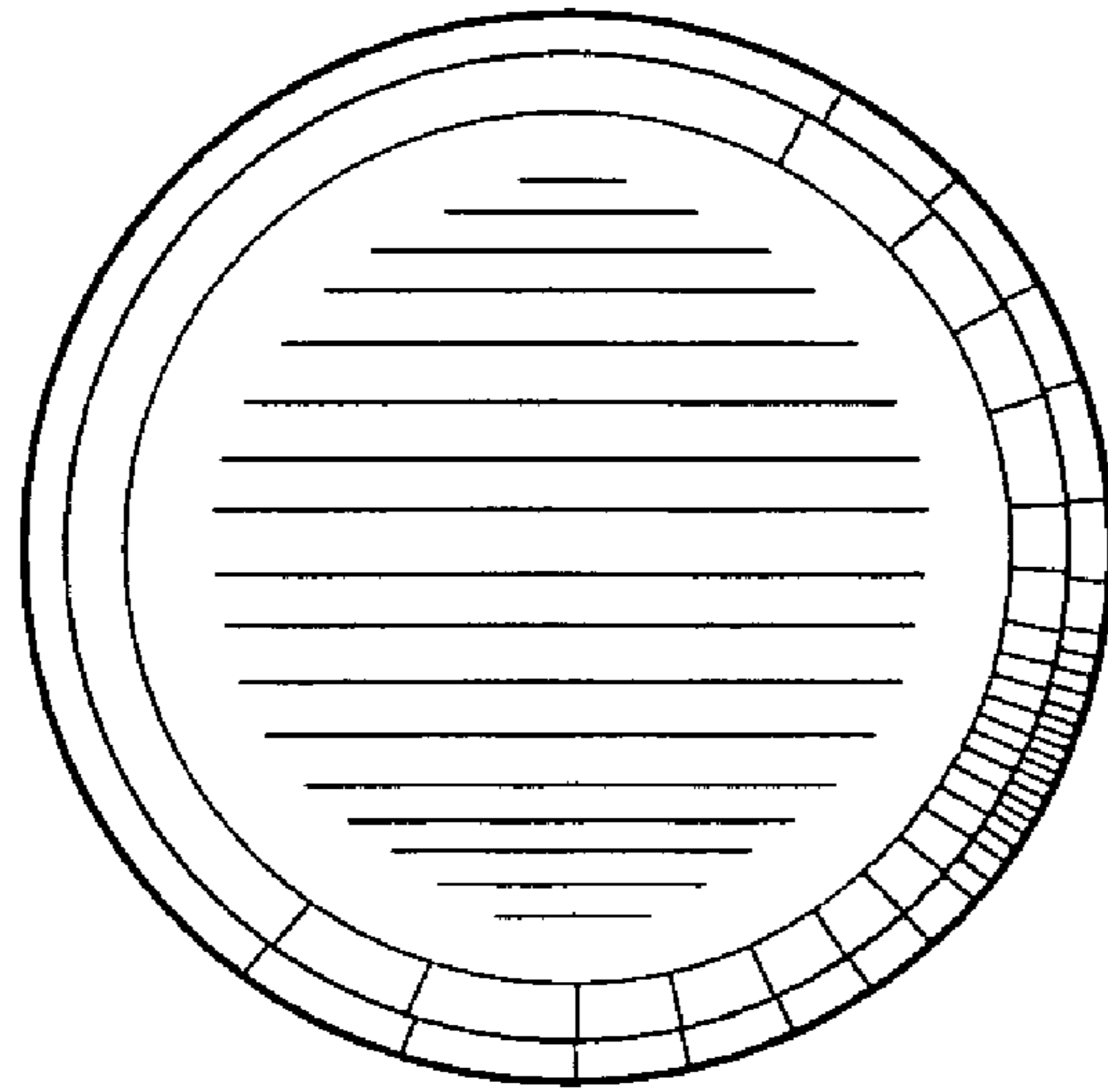


Fig. 3

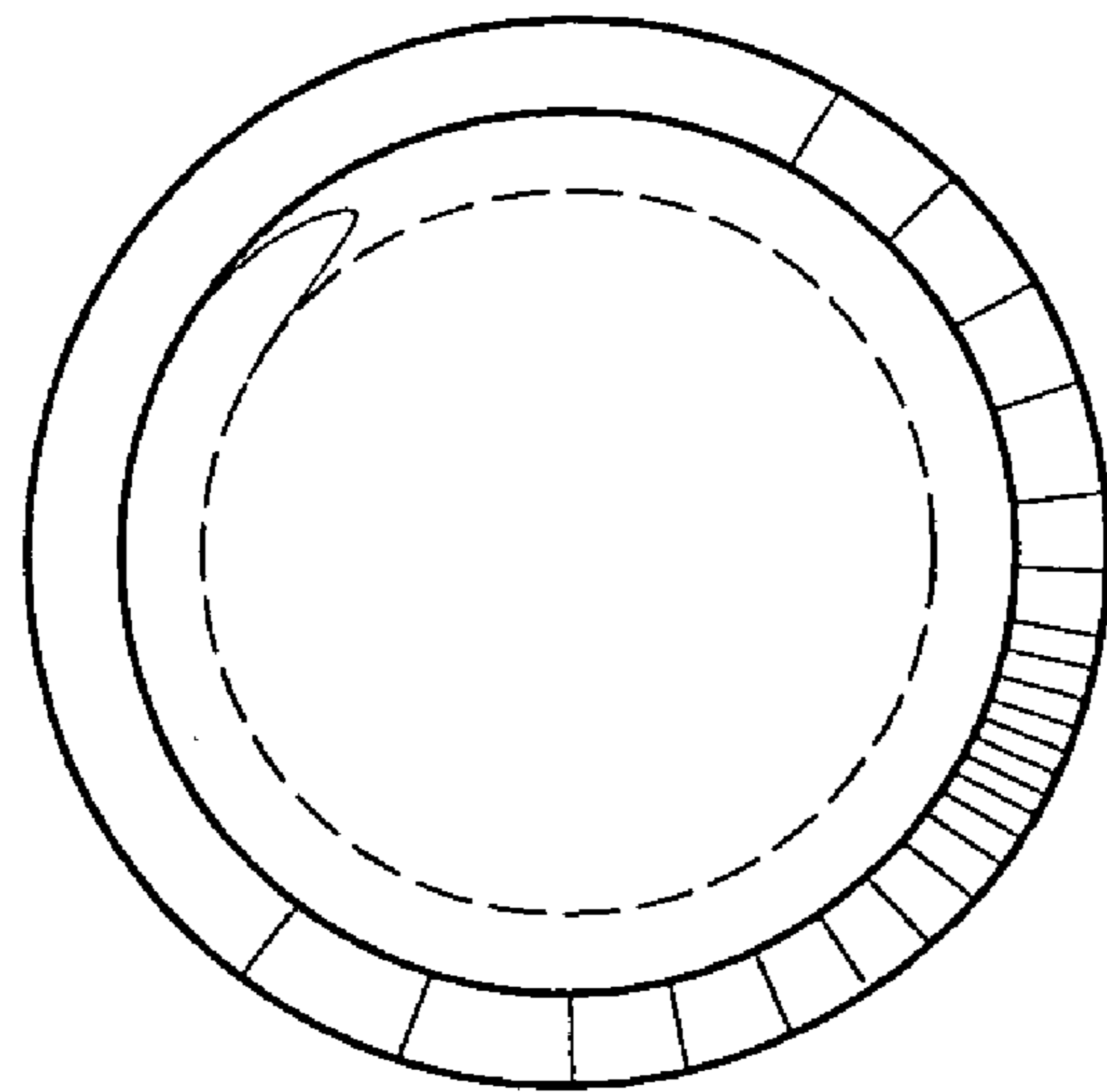


Fig. 4

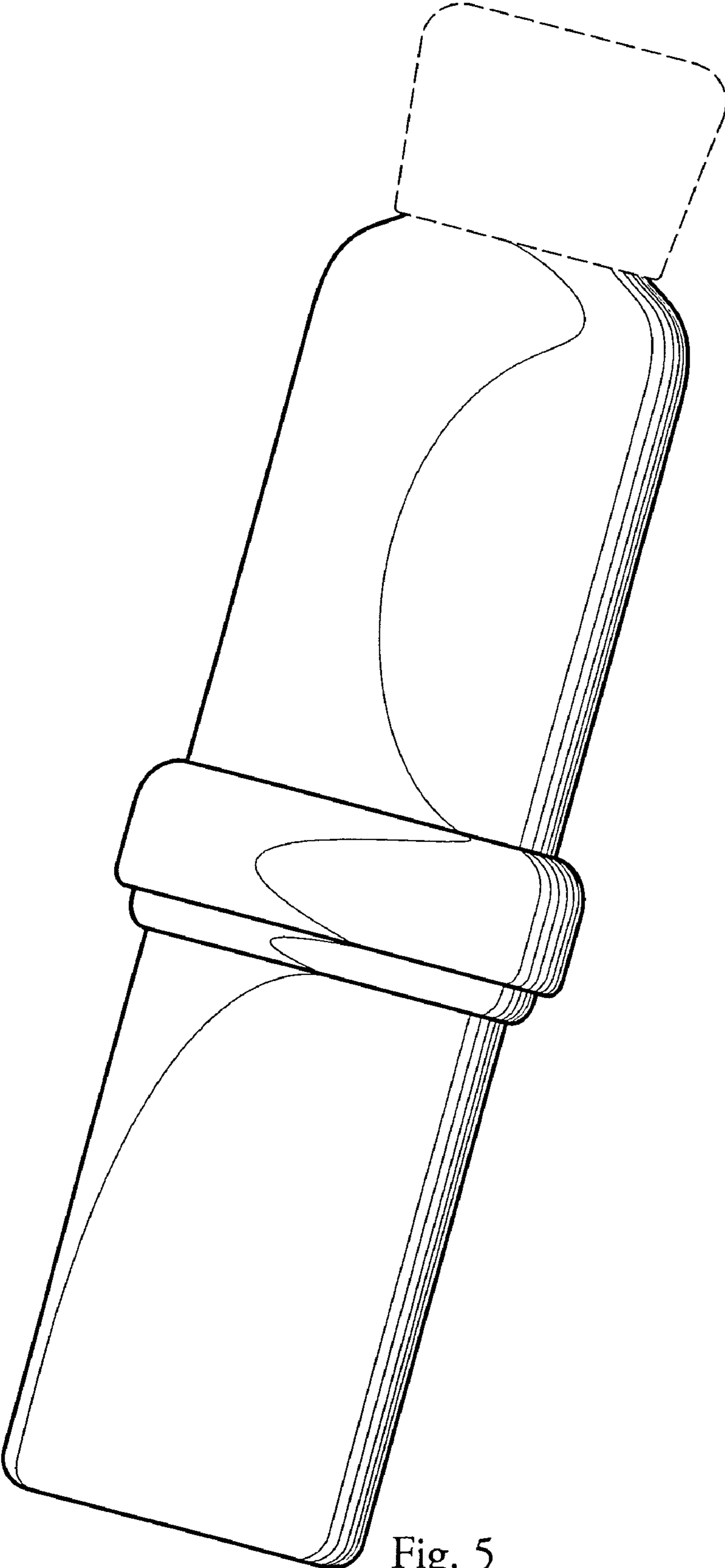


Fig. 5

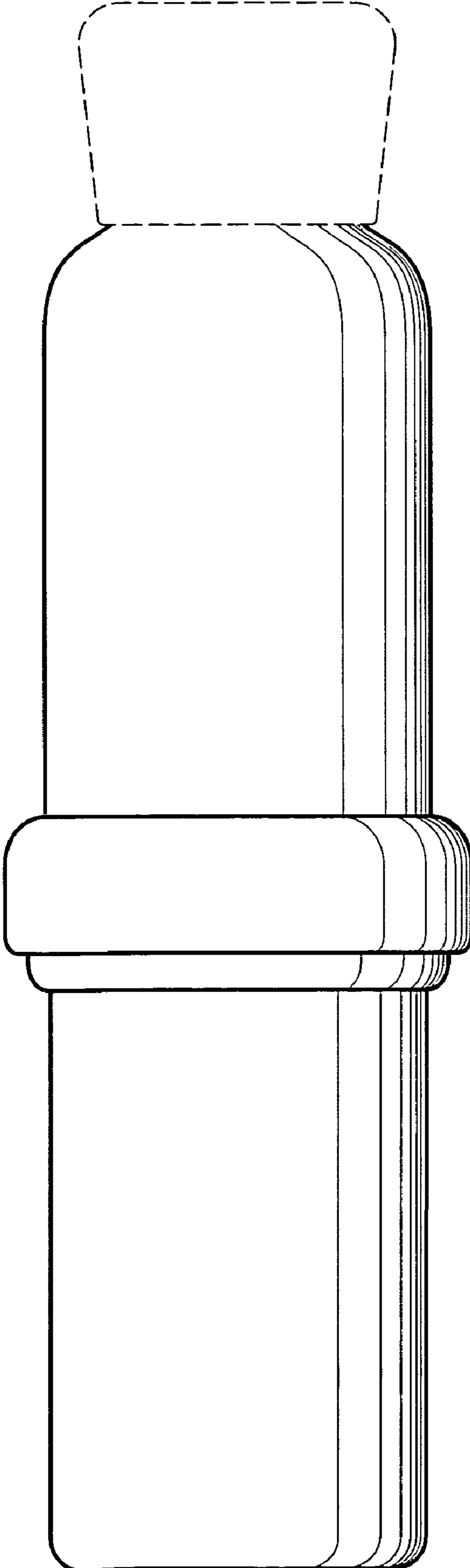


Fig. 6

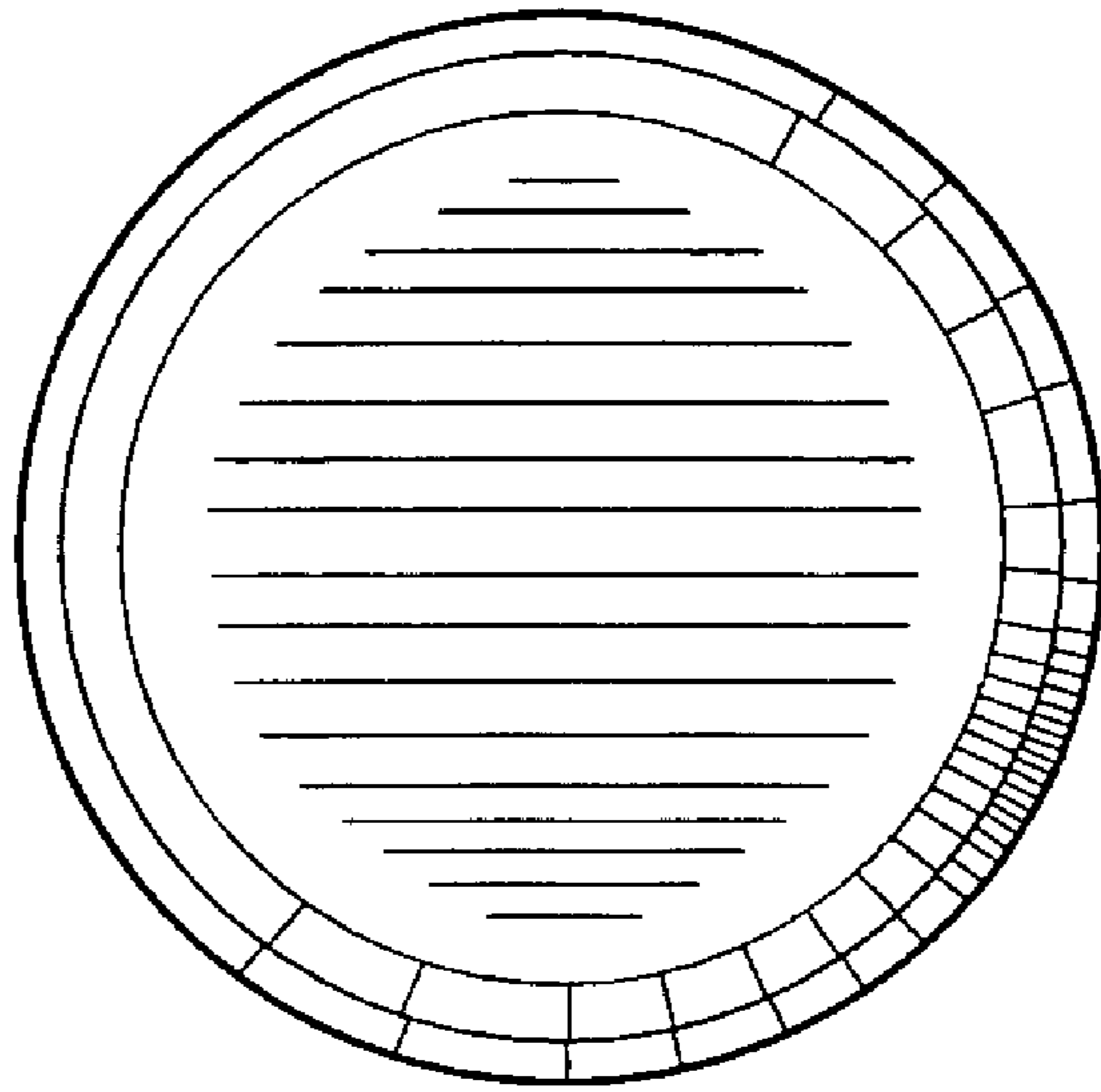


Fig. 7

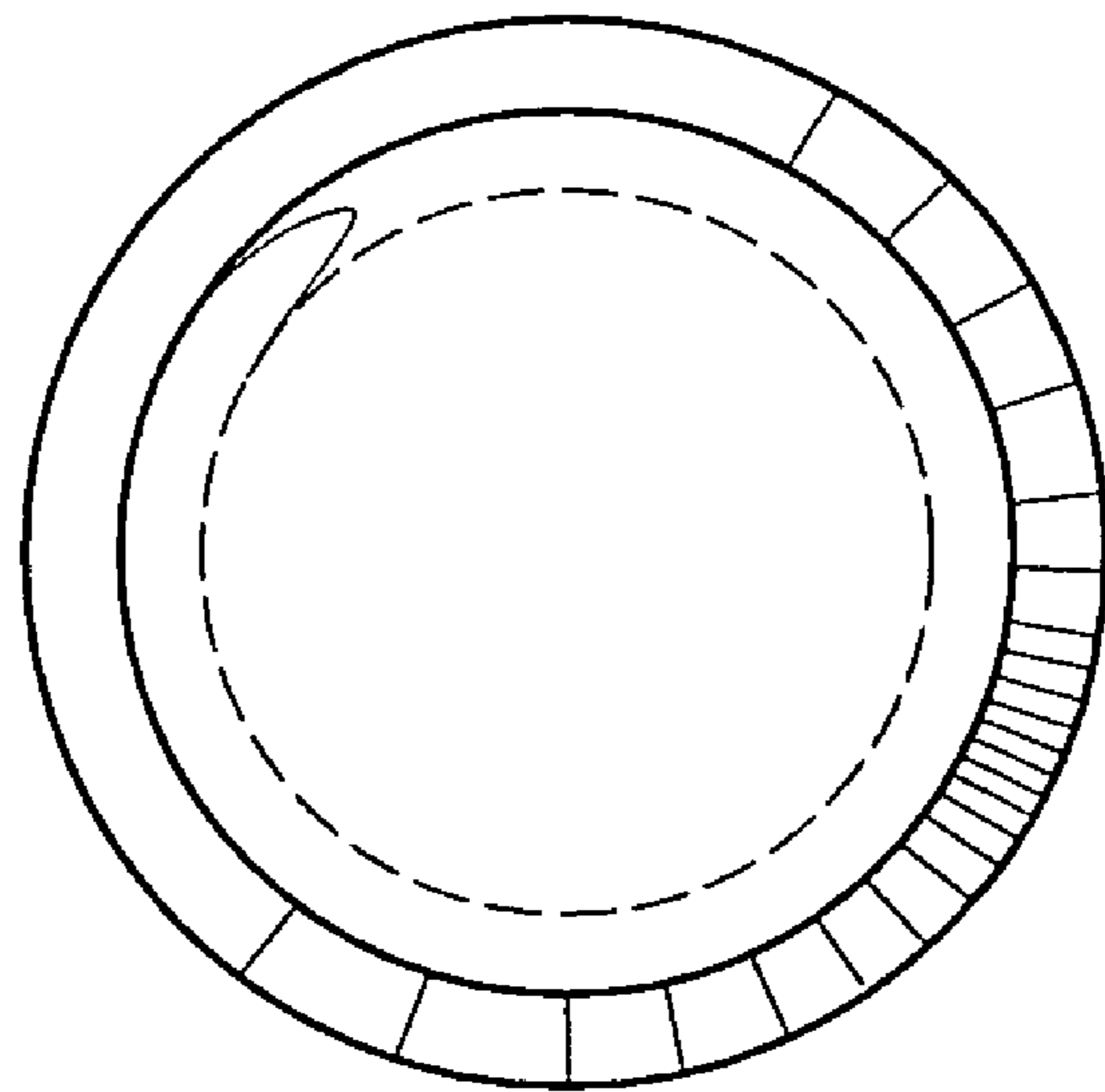


Fig. 8

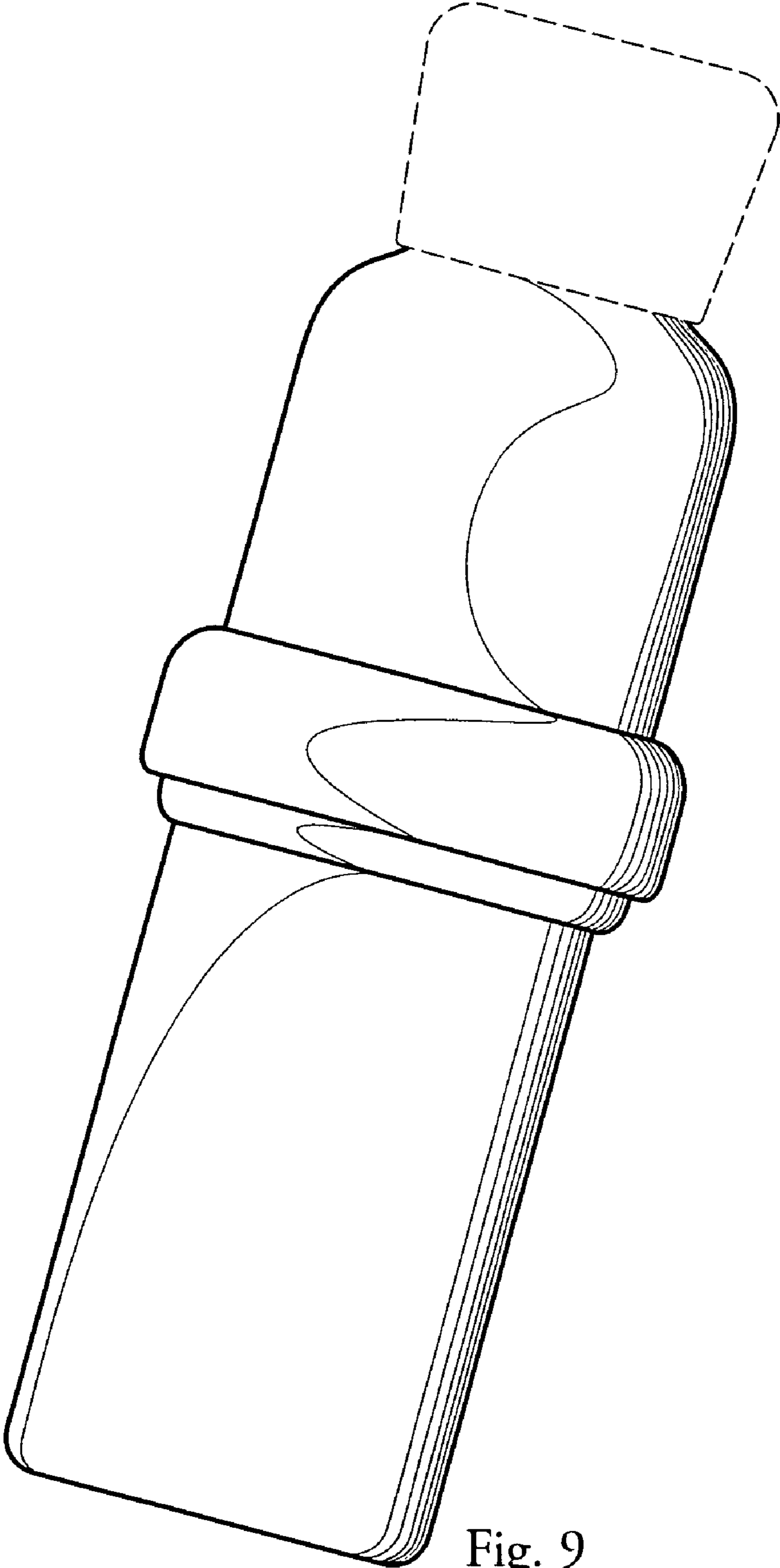


Fig. 9

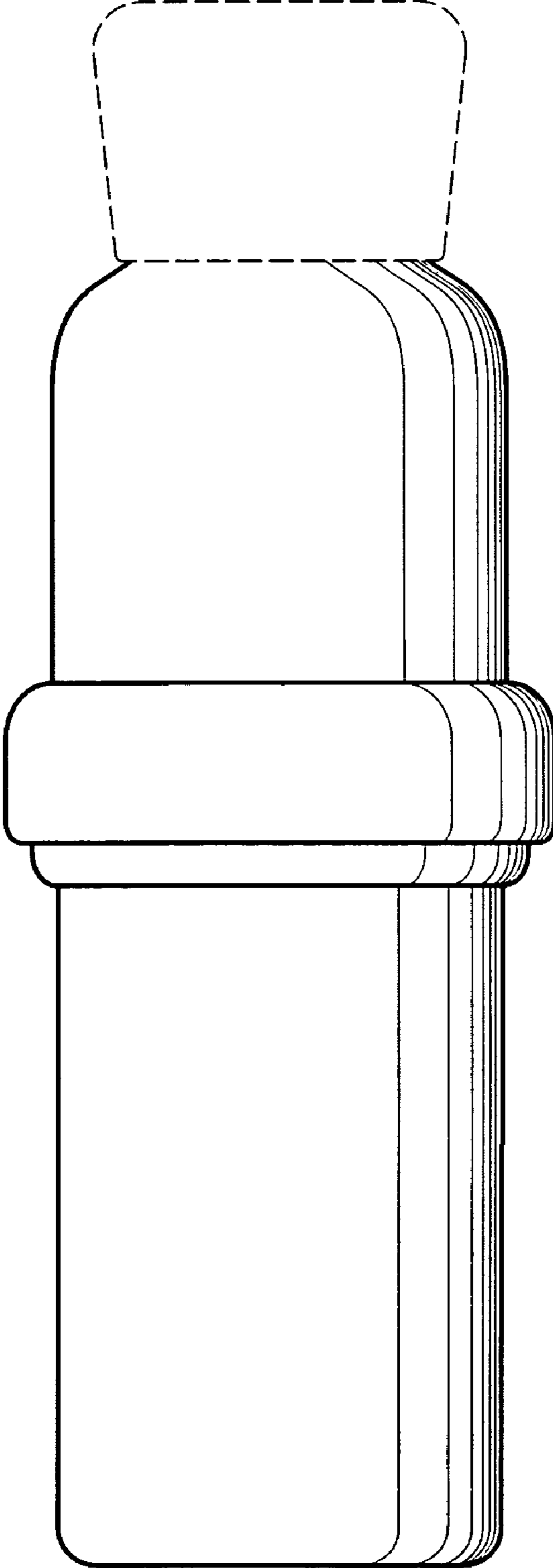


Fig. 10

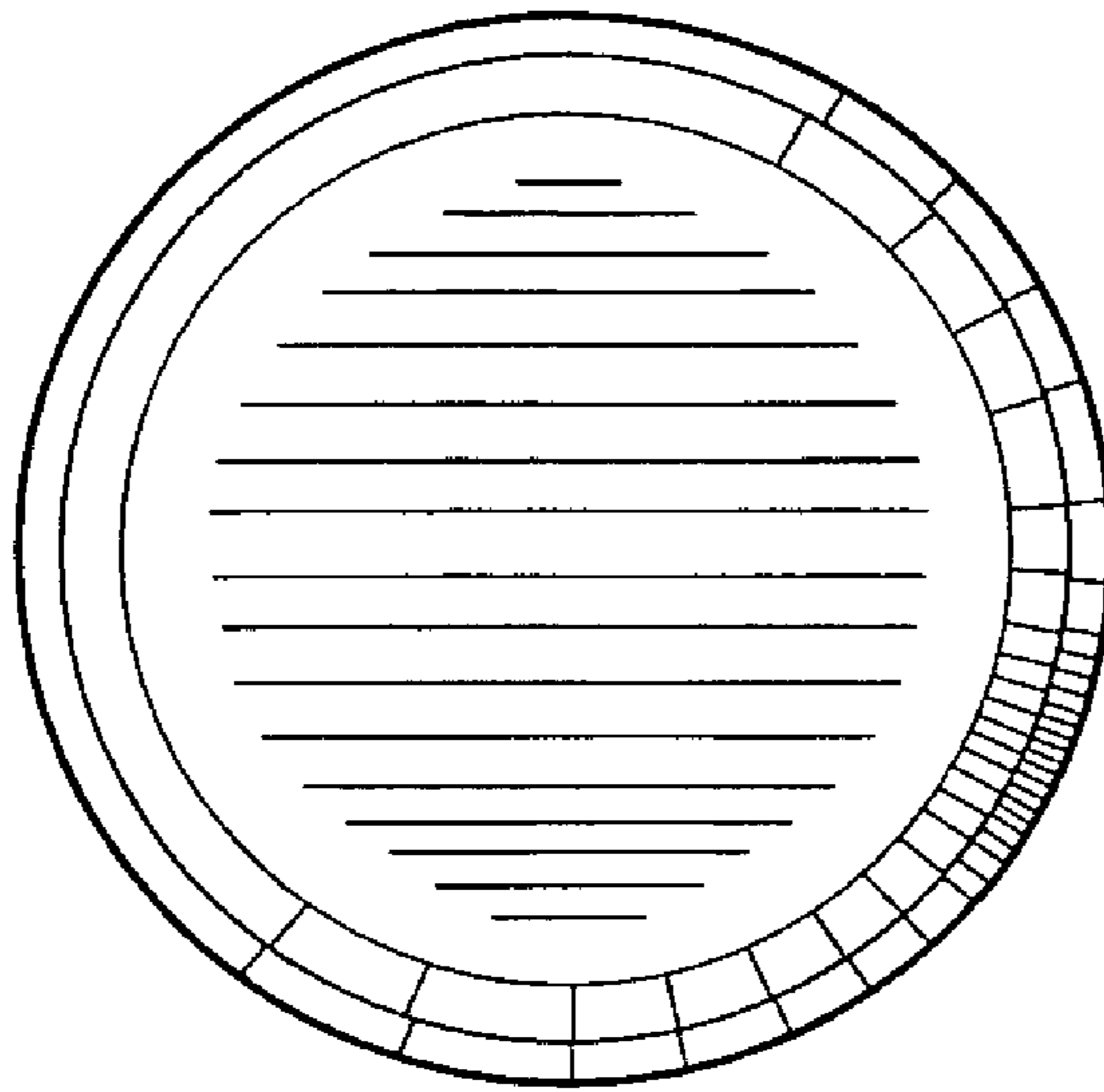


Fig. 11

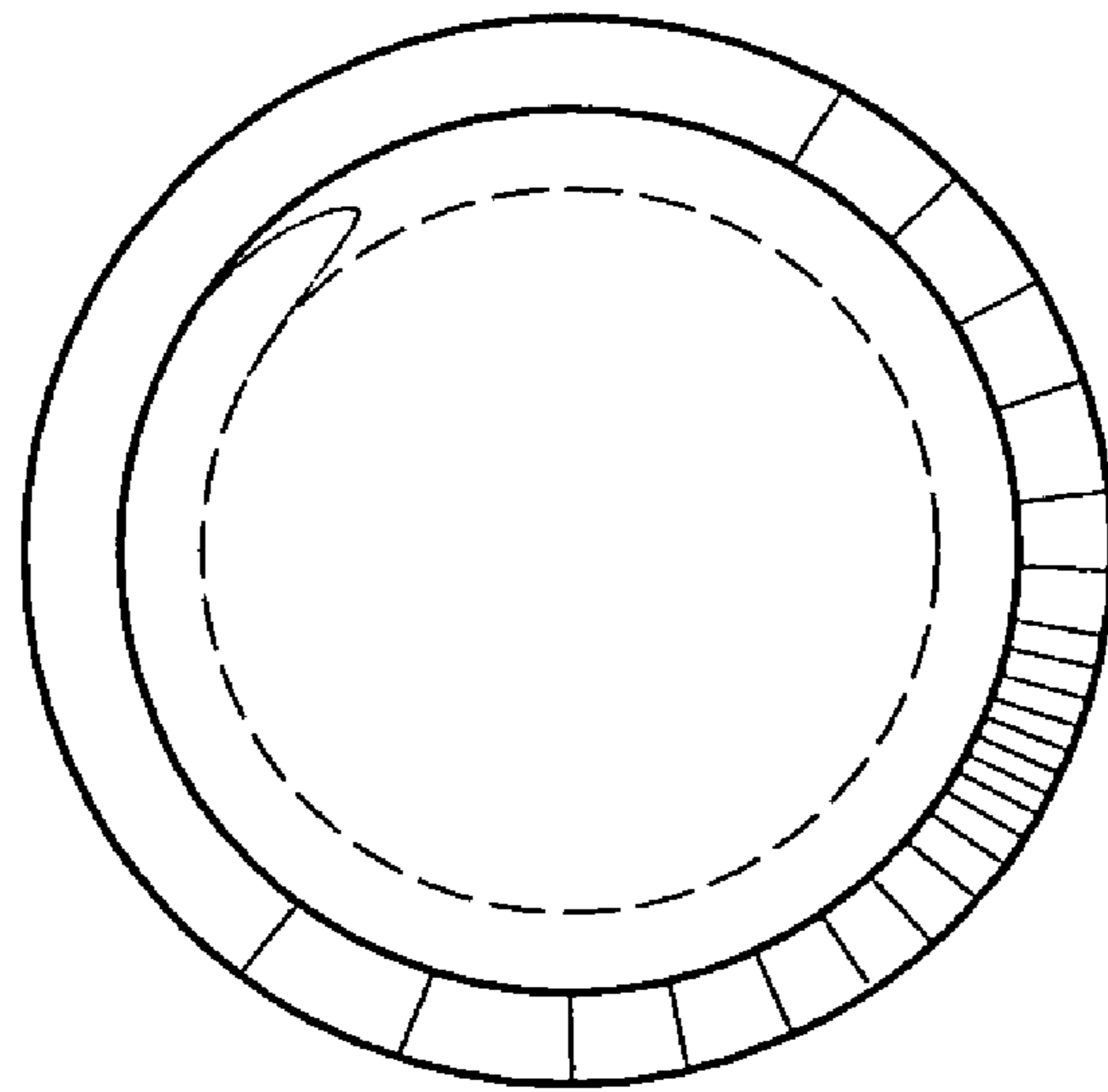


Fig. 12

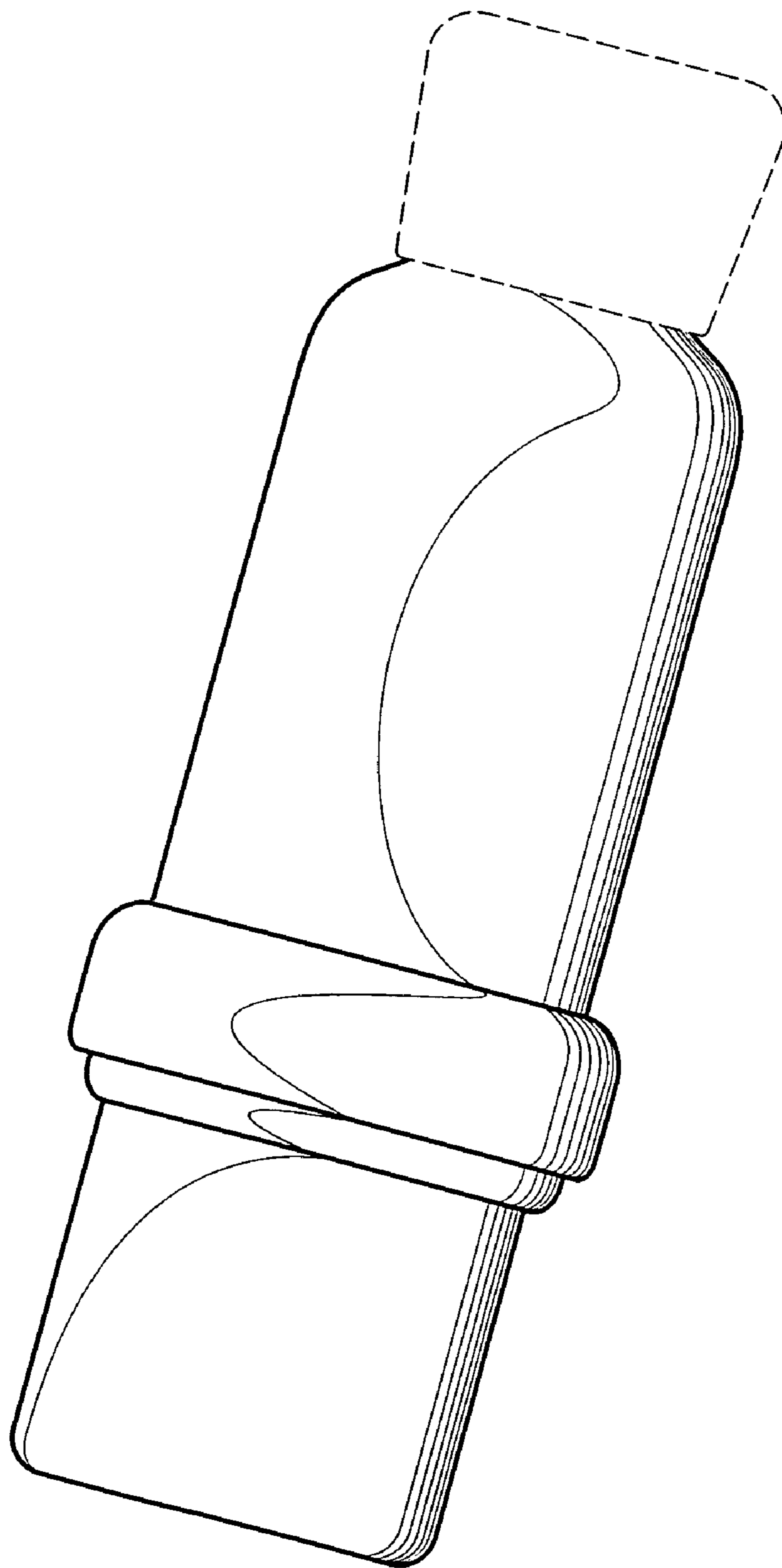


Fig. 13

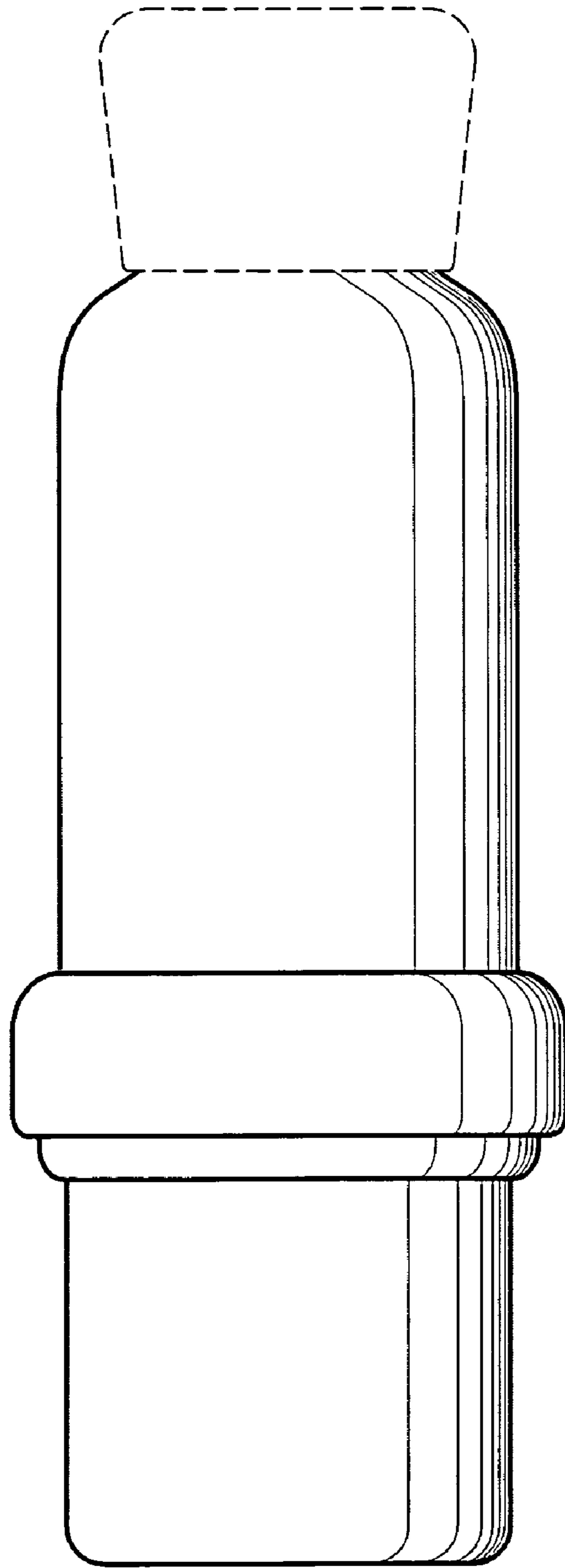


Fig. 14

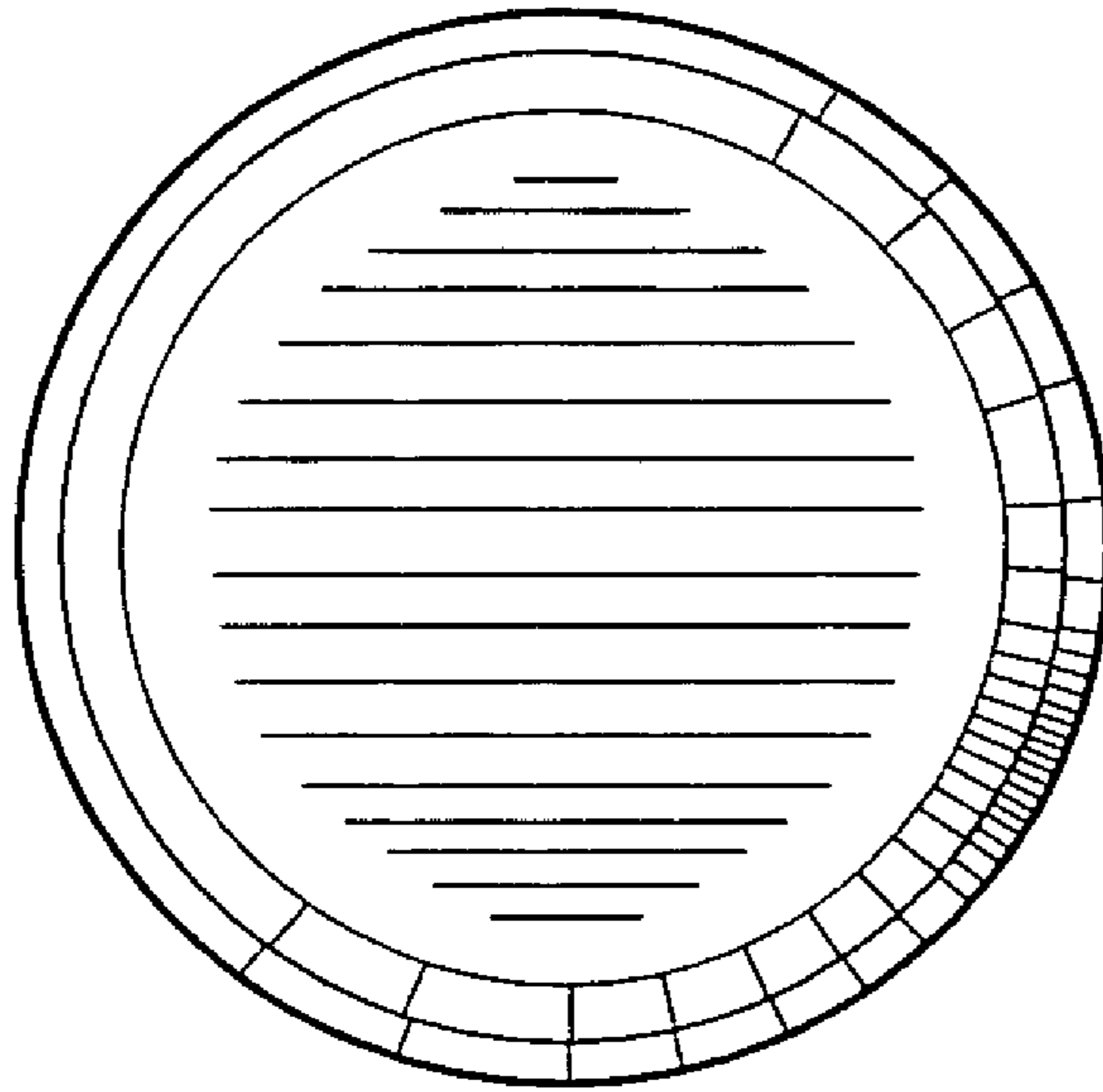


Fig. 15

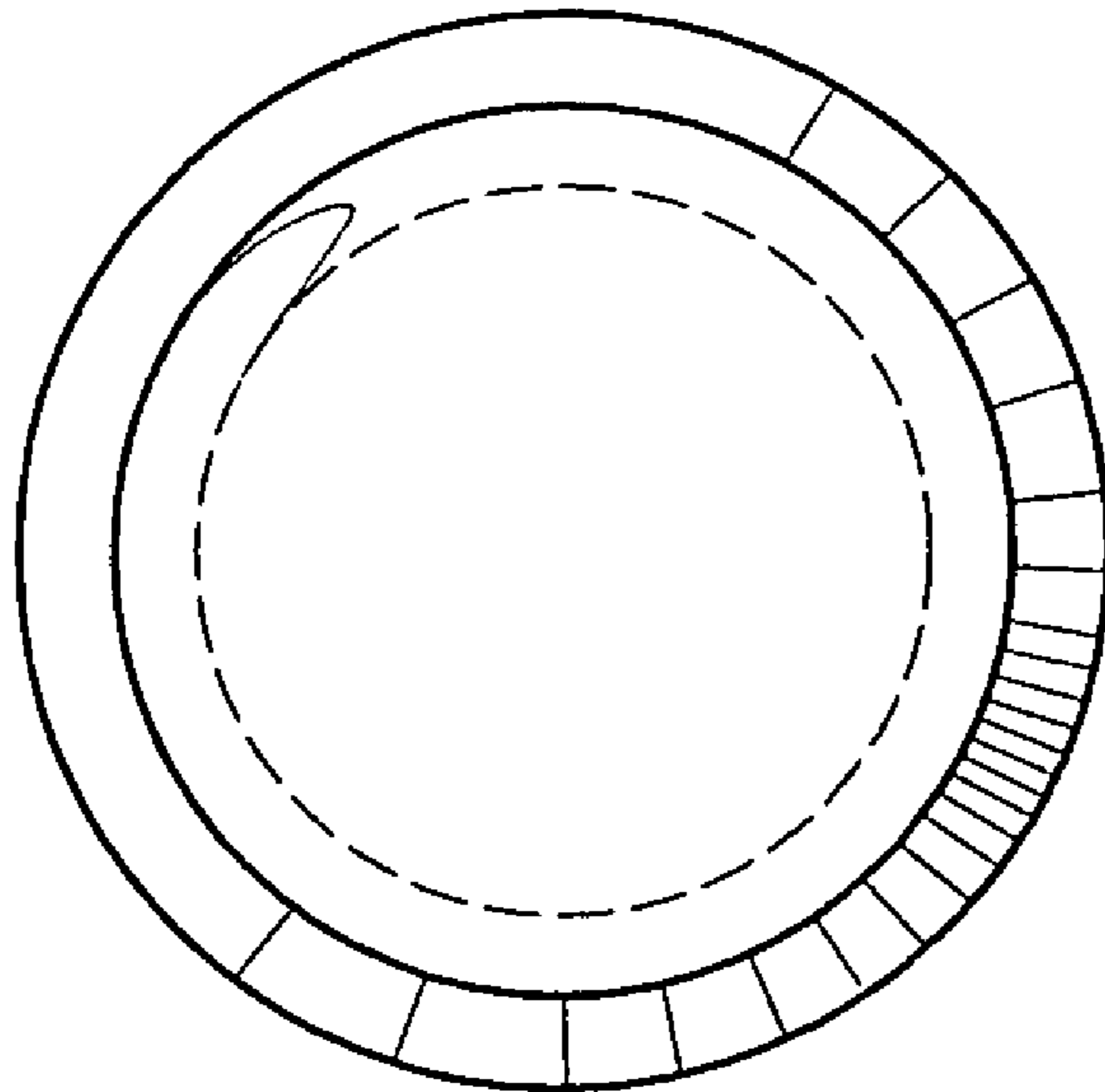


Fig. 16