

US00D644065S

(12) **United States Design Patent**
Llerena

(10) **Patent No.:** **US D644,065 S**

(45) **Date of Patent:** **** Aug. 30, 2011**

(54) **BOTTLE**

(76) **Inventor:** **Sergio Llerena, Toronto (CA)**

(**) **Term:** **14 Years**

(21) **Appl. No.:** **29/375,884**

(22) **Filed:** **Sep. 29, 2010**

(51) **LOC (9) Cl.** **07-01**

(52) **U.S. Cl.** **D7/510; D7/511; D7/300.1**

(58) **Field of Classification Search** **D7/510,**
D7/511, 509.523, 534, 531, 300.1, 900; 220/705,
220/710; 215/388, 11.1, 11.6, 384; D24/197;
222/129; D10/46.2

See application file for complete search history.

D513,916 S *	1/2006	Namee	D7/300.1
D552,929 S *	10/2007	de Groote	D7/510
D565,353 S *	4/2008	Roth et al.	D7/510
D580,227 S *	11/2008	Roth et al.	D7/510
D597,365 S *	8/2009	Oas	D7/300.1
D632,133 S *	2/2011	Giraud et al.	D7/510
D632,918 S *	2/2011	Gordon	D7/300.1
D634,160 S *	3/2011	Cetera	D7/510
D634,161 S *	3/2011	Roth et al.	D7/510

* cited by examiner

Primary Examiner — Marianne Pandozzi

(74) *Attorney, Agent, or Firm* — Levisohn Berger LLP

(57) **CLAIM**

The ornamental design for a bottle, as shown and described.

(56) **References Cited**

U.S. PATENT DOCUMENTS

3,820,692 A *	6/1974	Swett et al.	222/547
D233,116 S *	10/1974	Swett	D7/300.1
D251,612 S *	4/1979	Lagergren et al.	D24/197
D314,431 S *	2/1991	Bielefeldt	D24/197
D330,862 S *	11/1992	Shibley et al.	D10/46.2
D382,968 S *	8/1997	Giles et al.	D24/197
D421,547 S *	3/2000	Demers	D7/510
D438,298 S *	2/2001	McNutt	D23/367
D490,272 S *	5/2004	Rohe	D7/510
D510,235 S *	10/2005	Sorensen	D7/510

DESCRIPTION

FIG. 1 is a front perspective view of the bottle showing the present design.

FIG. 2 is a front view thereof.

FIG. 3 is a rear view thereof.

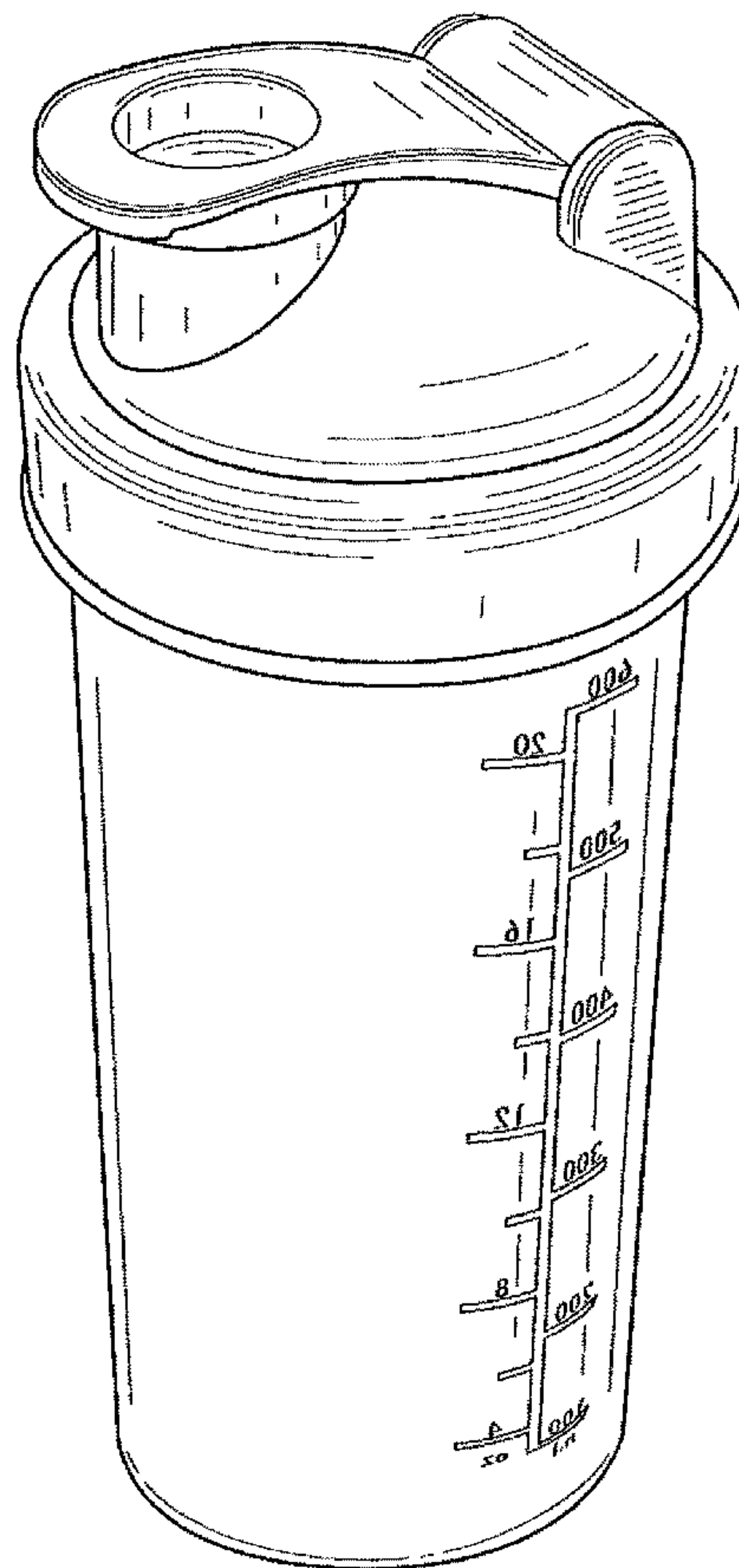
FIG. 4 is a right side view thereof

FIG. 5 is a left side view thereof.

FIG. 6 is a top plan view thereof; and,

FIG. 7 is a bottom plan view thereof.

1 Claim, 6 Drawing Sheets



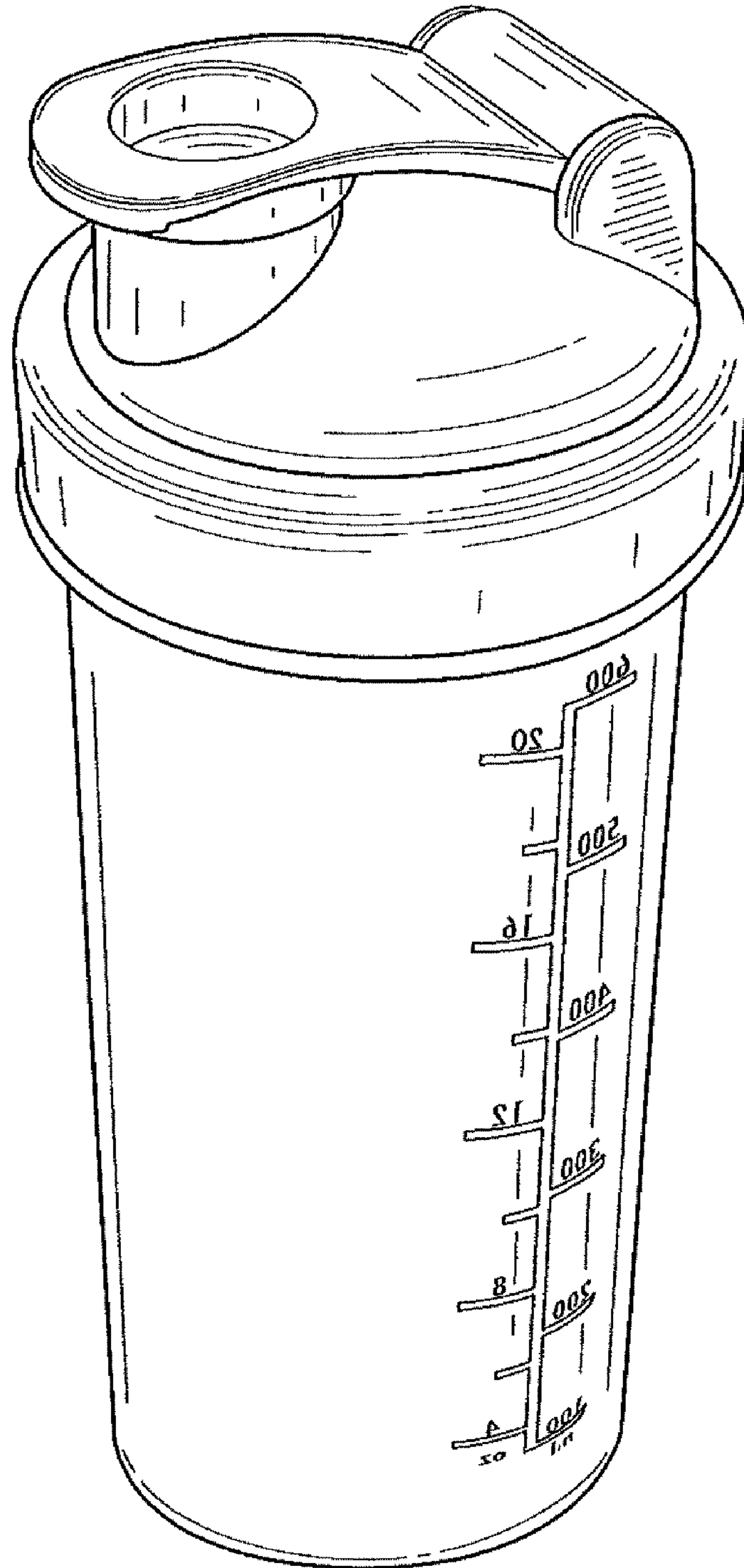


FIG. 1

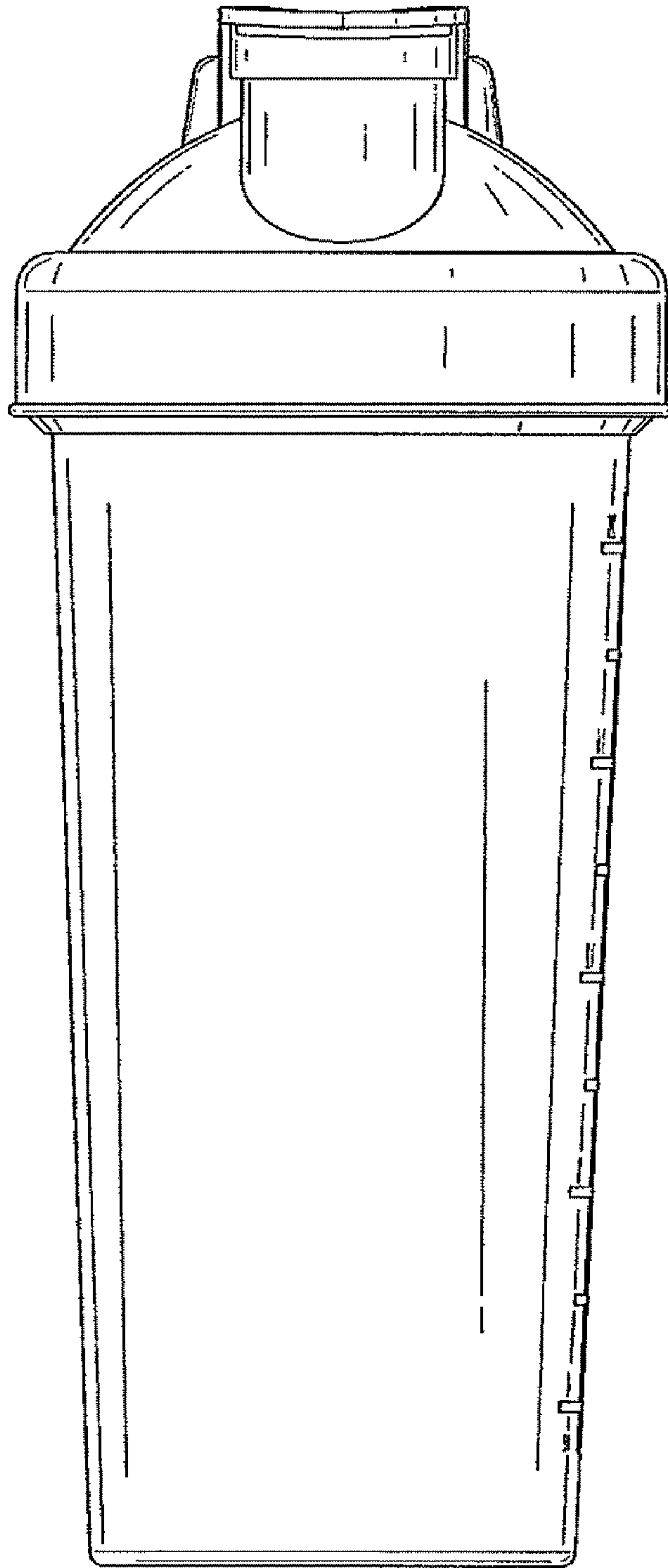


FIG. 2

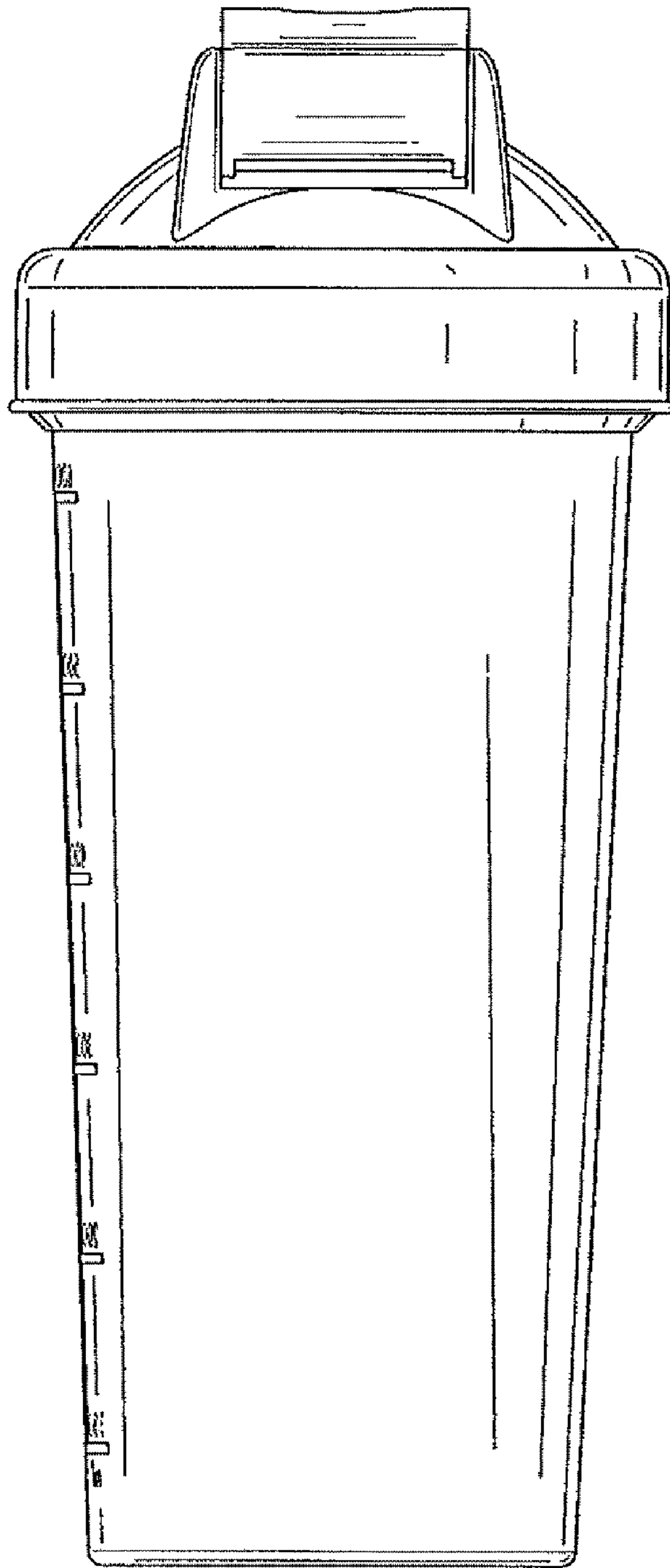


FIG. 3

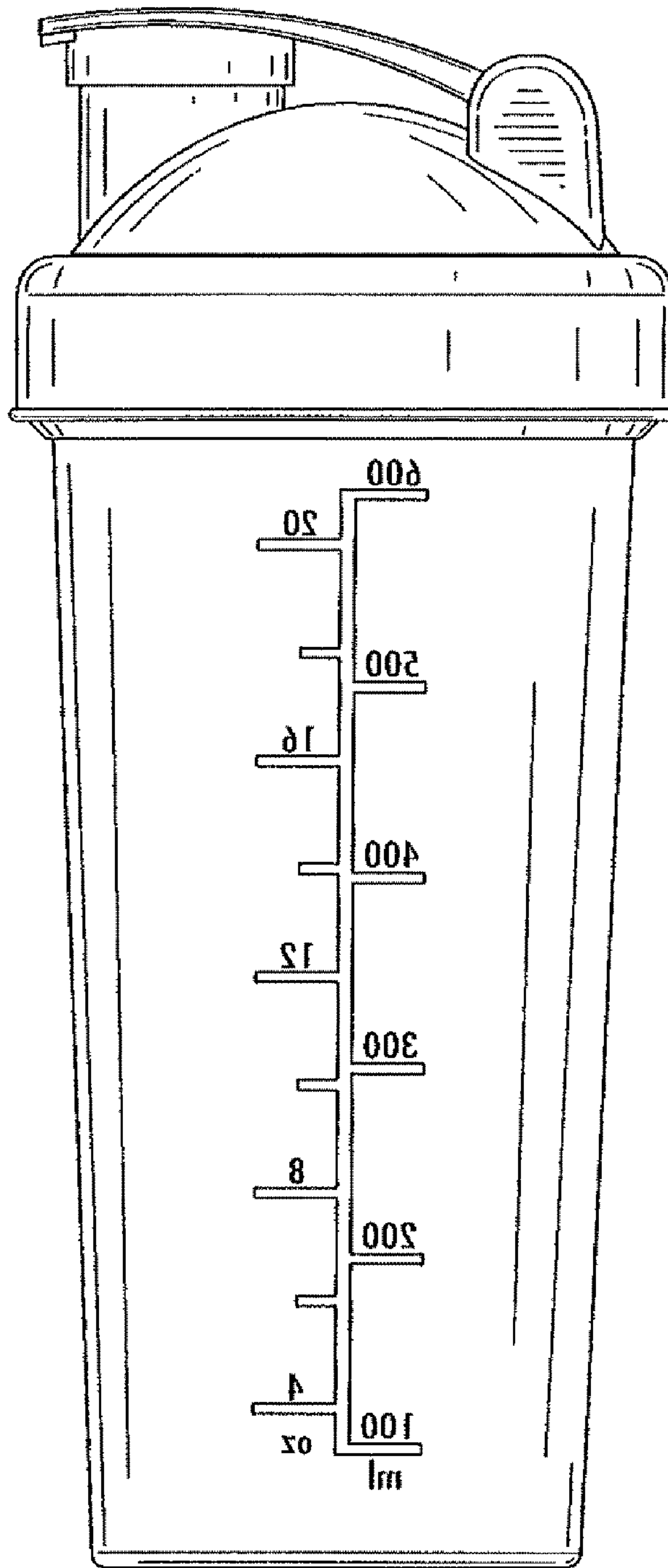


FIG. 4

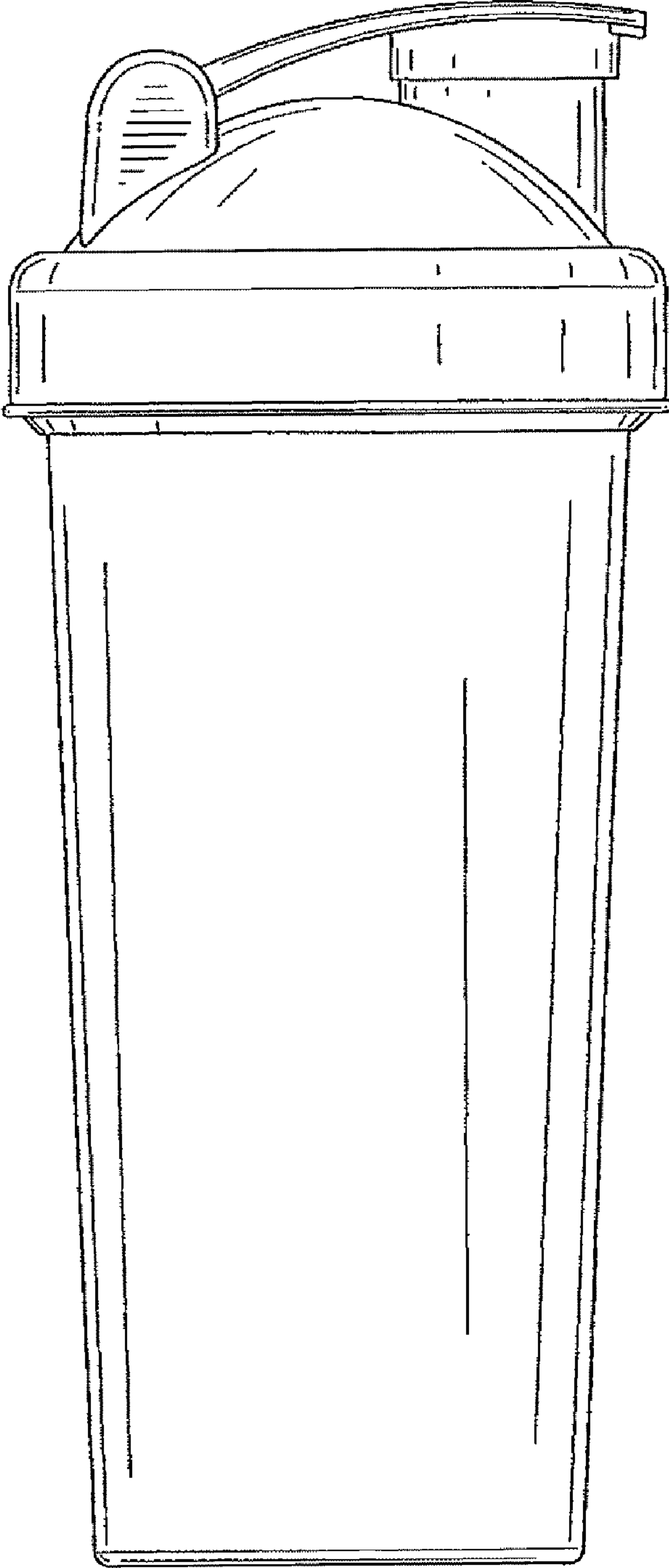


FIG. 5

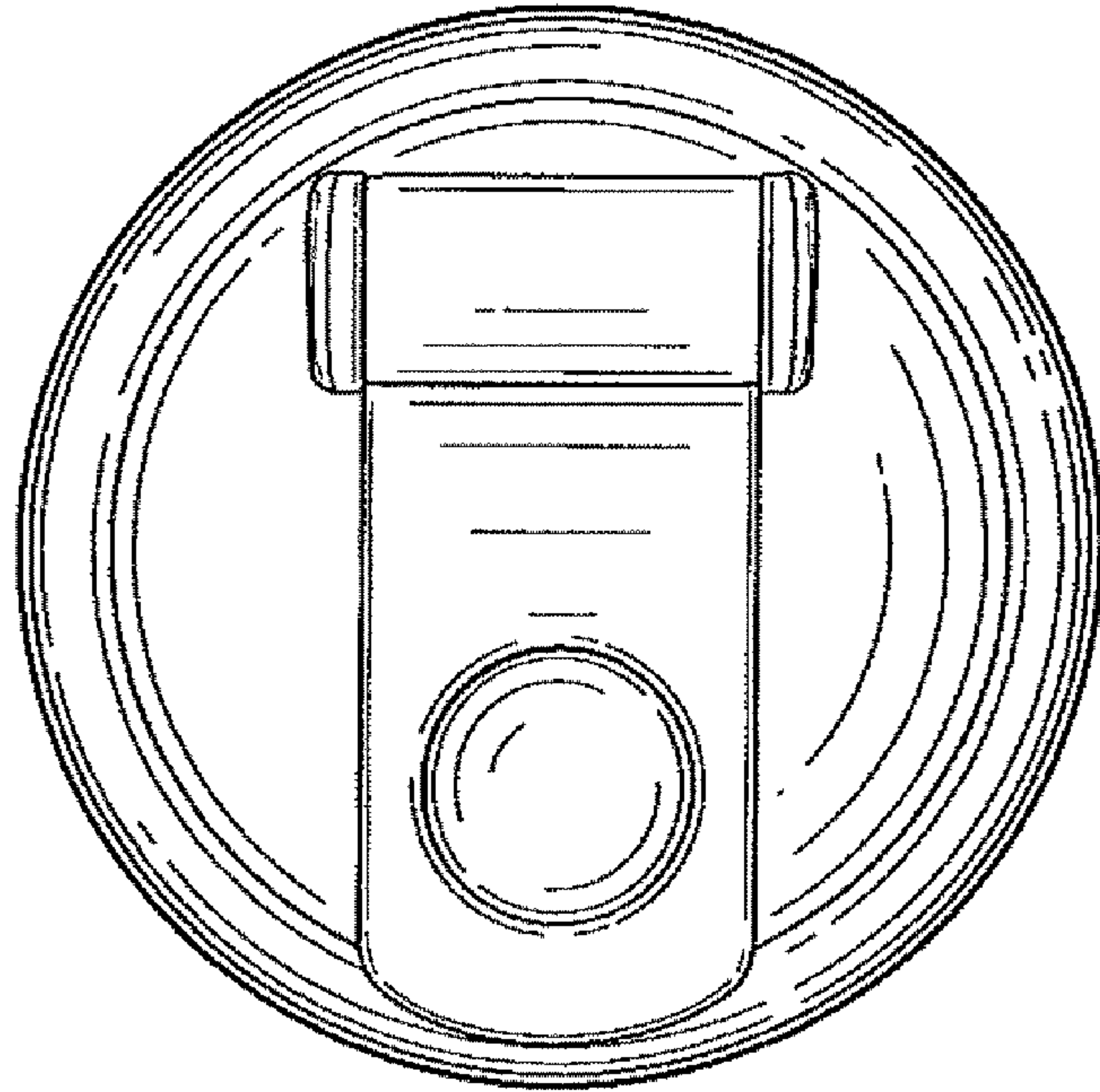


FIG. 6

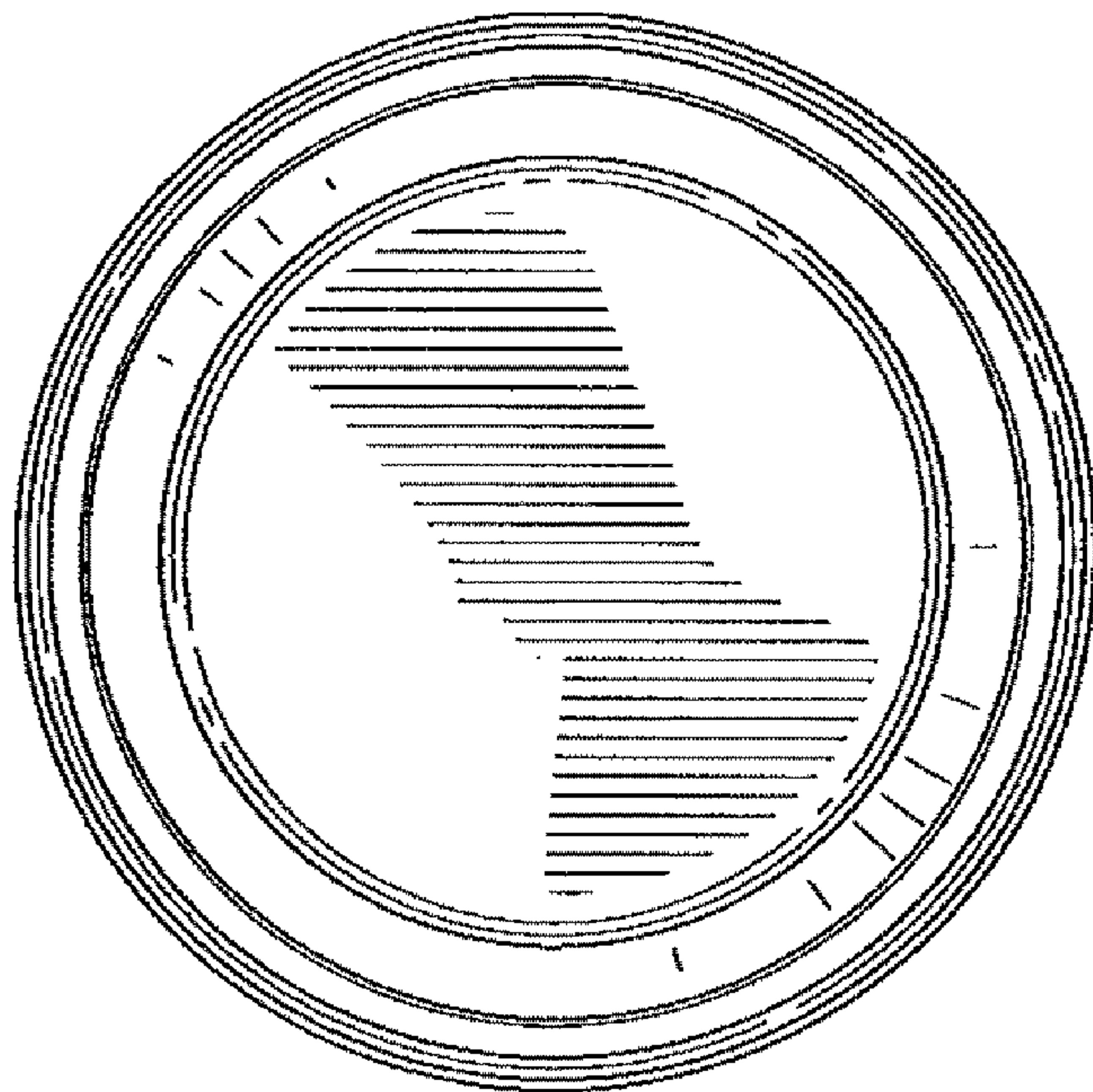


FIG. 7