



US00D644064S

(12) **United States Design Patent**
DuBois

(10) **Patent No.:** **US D644,064 S**

(45) **Date of Patent:** **** Aug. 30, 2011**

(54) **RECONFIGURABLE CONTAINER**

(76) Inventor: **Tiena Lou DuBois**, Phoenix, AZ (US)

(**) Term: **14 Years**

(21) Appl. No.: **29/359,936**

(22) Filed: **Apr. 16, 2010**

4,823,958 A *	4/1989	Mahmud	206/561
D311,330 S	10/1990	Hamamura		
D313,486 S	1/1991	Conner		
D322,868 S *	12/1991	Johnson	D30/132
5,085,330 A *	2/1992	Paulin	215/6
D326,168 S *	5/1992	Smith	D30/129
D331,013 S *	11/1992	Hamamura	D9/428
5,174,534 A *	12/1992	Mitchell	248/311.2
D332,893 S *	2/1993	Patternson	D7/510
D338,288 S	8/1993	Key		

(Continued)

Related U.S. Application Data

(63) Continuation-in-part of application No. 29/343,076, filed on Sep. 4, 2009, now Pat. No. Des. 616,705.

(51) **LOC (9) Cl.** **07-01**

(52) **U.S. Cl.** **D7/507; D7/523; D7/531; D7/510; D30/129**

(58) **Field of Classification Search** **D7/505, D7/507, 523, 531, 512, 513, 510, 511, 509; D30/132, 129, 130; 248/311.2; 215/395; 220/709, 23.83, 574; D9/739, 744, 538, D9/569, 503, 500**

See application file for complete search history.

(56) **References Cited**

U.S. PATENT DOCUMENTS

604,514 A *	5/1898	Belden	215/382
2,327,077 A *	8/1943	Tector	220/23.86
2,928,372 A	2/1958	Farley		
2,920,804 A *	1/1960	Minton	229/400
3,285,459 A *	11/1966	Gahm	220/8
D229,320 S	11/1973	Kitson		
D230,034 S	1/1974	Goldman		
D230,387 S *	2/1974	Doman et al.	D7/531
3,888,211 A	6/1975	Allen		
D239,151 S	3/1976	Lundin		
3,995,595 A	12/1976	Williams		
4,039,435 A *	8/1977	Narva	206/217
D254,495 S *	3/1980	Roebuck	D15/122
D258,483 S *	3/1981	Weinstein	D7/511
D267,140 S *	12/1982	Thompson	D7/531
D274,695 S	7/1984	Kennedy		
D285,999 S *	10/1986	Ludwick et al.	D7/523
D290,323 S	6/1987	Weermink		
D300,477 S	3/1989	Terbush		

Primary Examiner — Marianne Pandozzi

(74) *Attorney, Agent, or Firm* — QuickPatents, Inc.; Kevin Prince

(57) **CLAIM**

I claim the ornamental design for a reconfigurable container, as shown and described.

DESCRIPTION

FIG. 1 is a perspective view of a reconfigurable container, showing my new design;

FIG. 2 is an exploded top perspective view of the reconfigurable container showing the cover, bowl, and base;

FIG. 3 is an exploded bottom perspective view thereof;

FIG. 4 is an exploded front elevational view thereof, the rear, left, and right side elevational views being identical;

FIG. 5 is a cross-sectional view thereof, taken generally along lines 5-5 of FIG. 4;

FIG. 6 is a bottom plan view of the lid portion of the reconfigurable container with the rest of the container removed for ease of illustration;

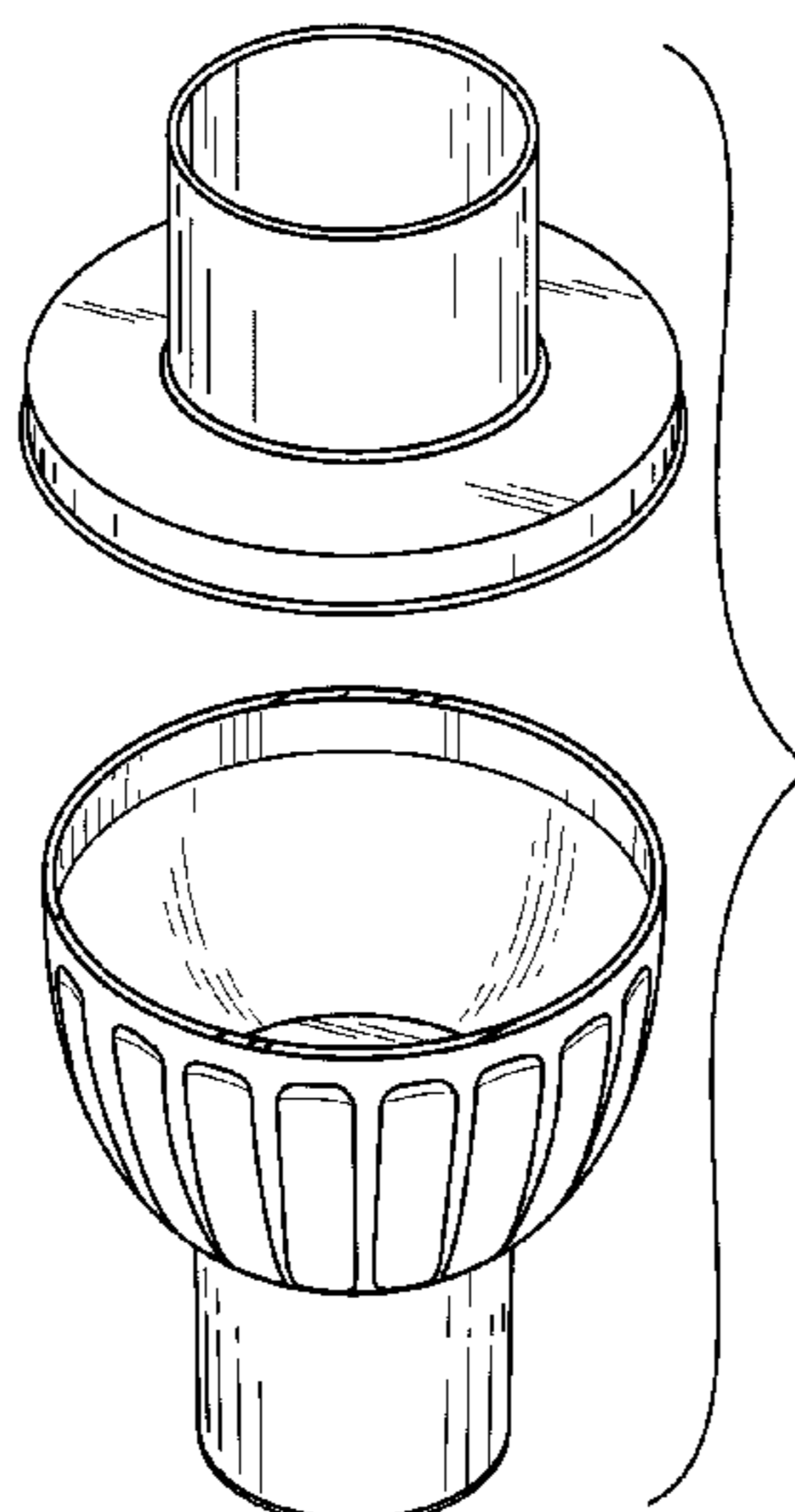
FIG. 7 is a top plan view thereof;

FIG. 8 is a bottom plan view of the bowl portion of the reconfigurable container with the rest of the container removed for ease of illustration; and,

FIG. 9 is a top plan view thereof.

The broken lines showing an automobile and cup holder in FIG. 1 are included for the purpose of illustrating the invention in use, and form no part of the claimed design.

1 Claim, 4 Drawing Sheets



US D644,064 S

Page 2

U.S. PATENT DOCUMENTS

D353,233	S	12/1994	Robles	
D397,911	S *	9/1998	Waldmann D7/507
D400,316	S *	10/1998	Kolterman et al. D30/132
D407,864	S *	4/1999	Olaiz D30/129
5,954,195	A *	9/1999	Krueger et al. 206/217
5,984,131	A *	11/1999	Krueger et al. 220/574
D421,364	S *	3/2000	Kristiansen et al. D7/531
D448,127	S *	9/2001	Zelinger D30/129
D451,648	S	12/2001	Johnson	
6,427,864	B1 *	8/2002	Asselin 220/709
D466,256	S	11/2002	Kaplan	
D466,755	S *	12/2002	Henry D7/323
D484,361	S *	12/2003	Jeung D7/396.2
D485,123	S *	1/2004	Gullickson et al. D7/510
D510,497	S *	10/2005	Hou D7/300.1
D561,021	S	2/2008	DuVal	
D566,467	S *	4/2008	Starck D7/505
D590,551	S	4/2009	Sperbeck	
D600,977	S *	9/2009	Mansfield D7/523
D604,984	S *	12/2009	Kalamaras D7/300.1
D608,147	S *	1/2010	Sykes D7/507

* cited by examiner

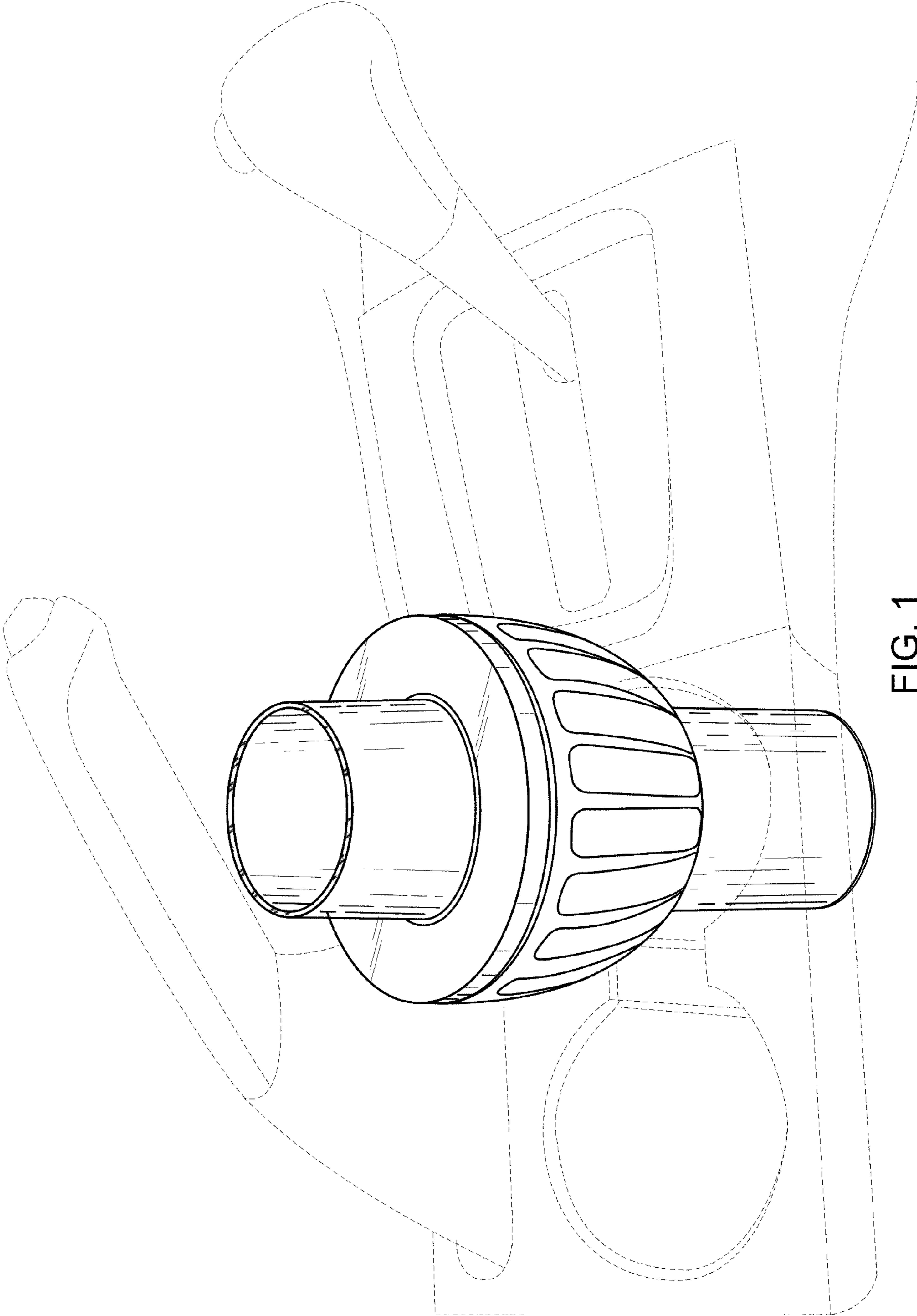


FIG. 1

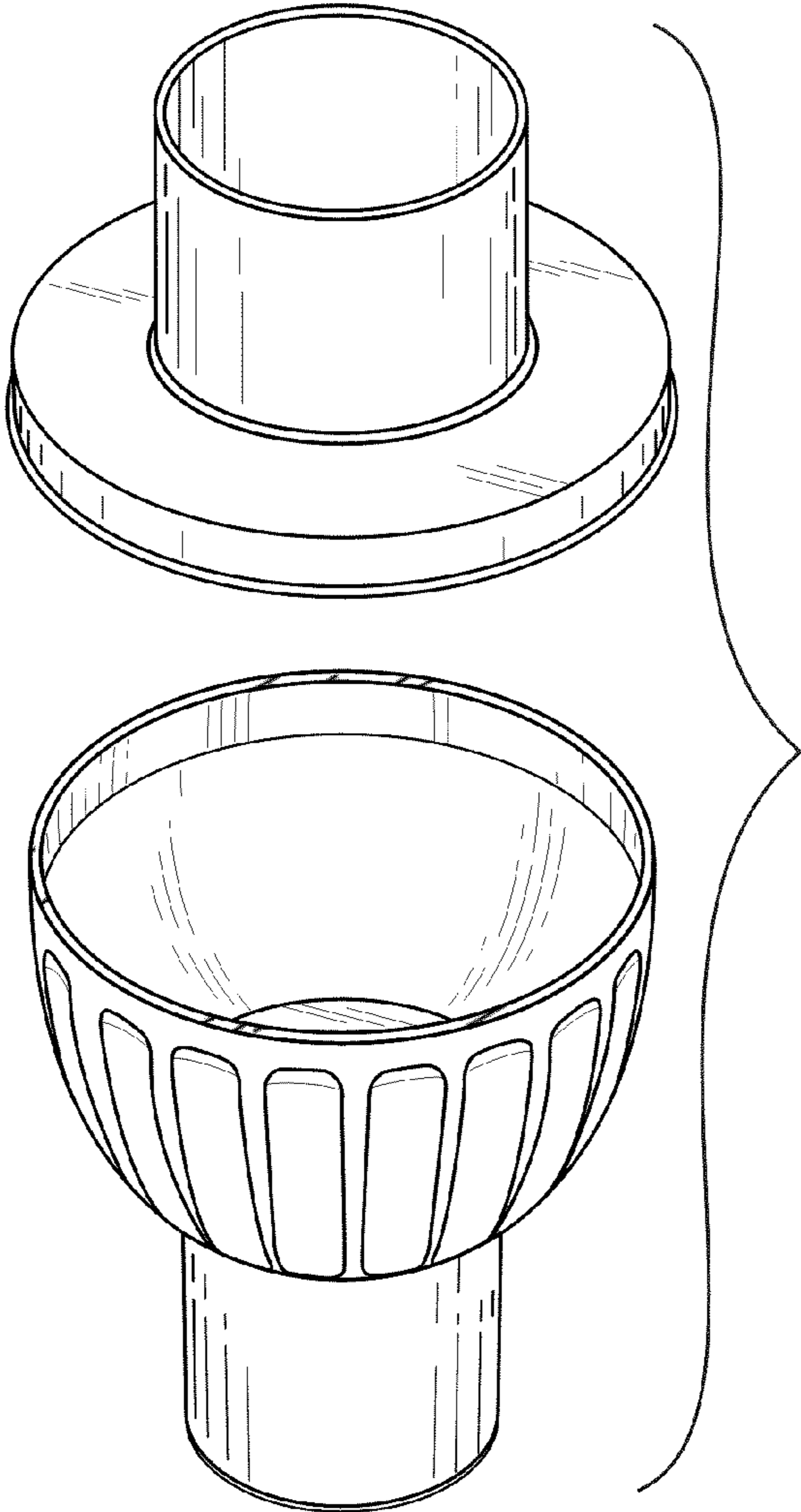


FIG. 2

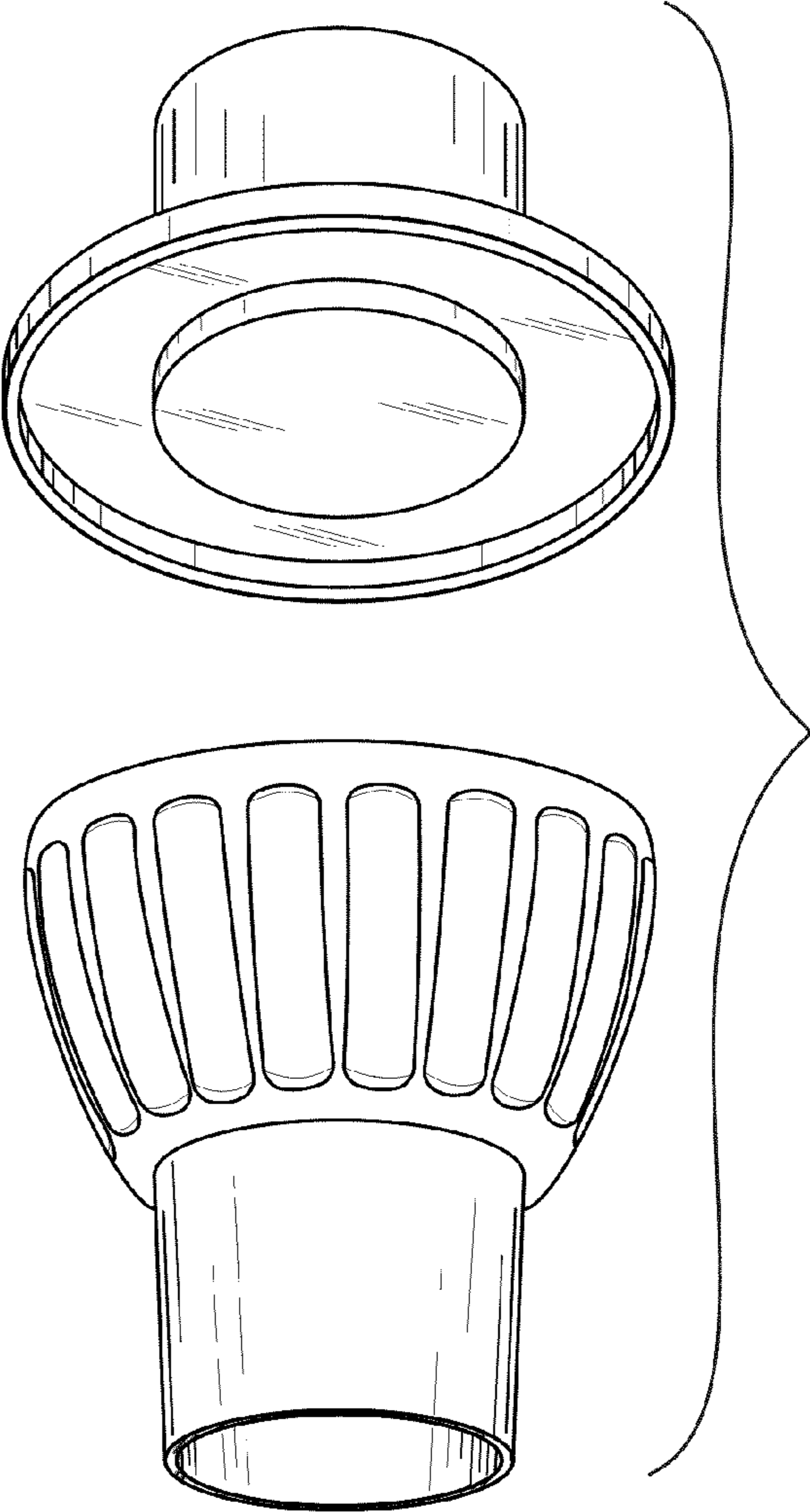


FIG. 3

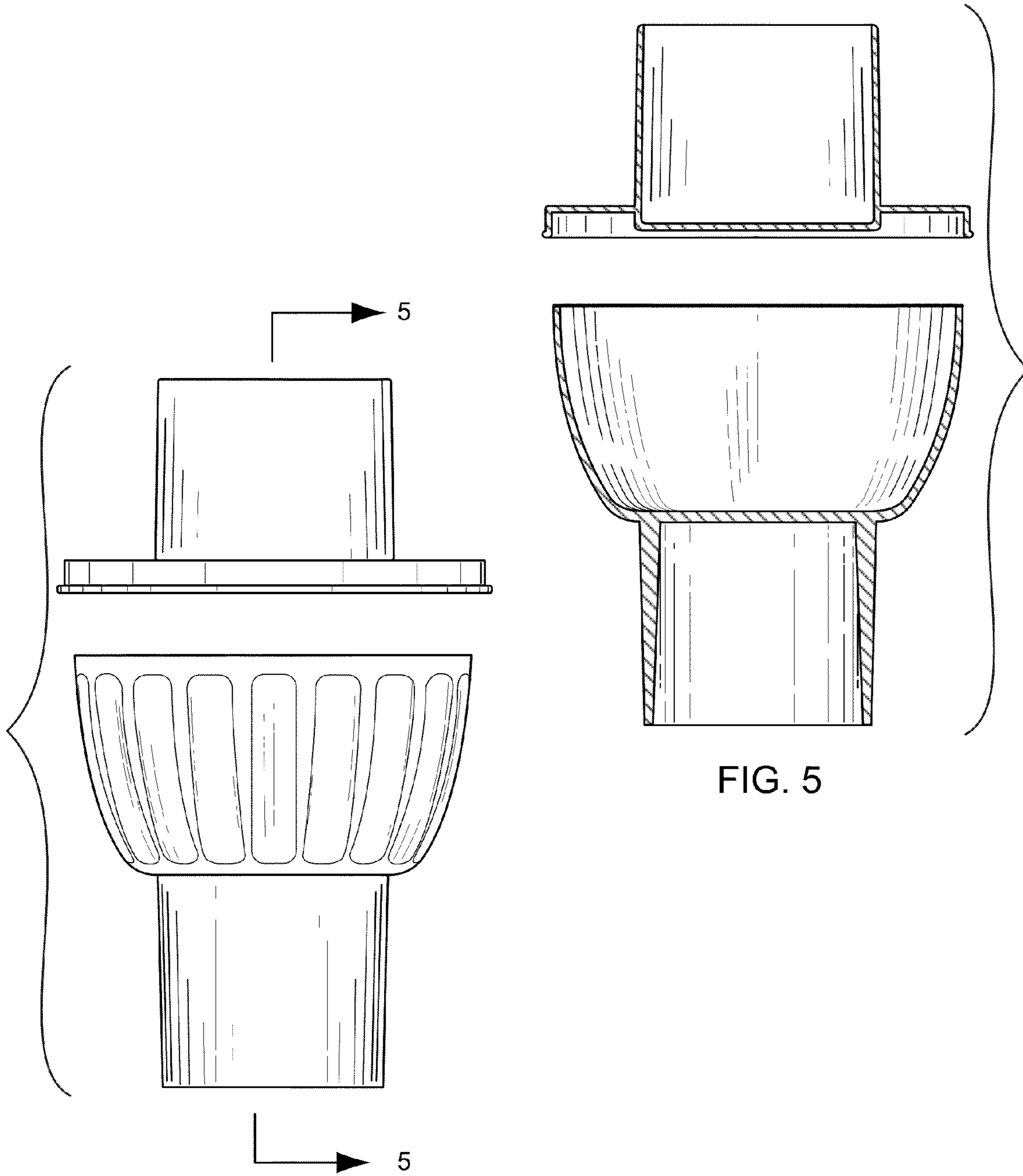


FIG. 4

FIG. 5

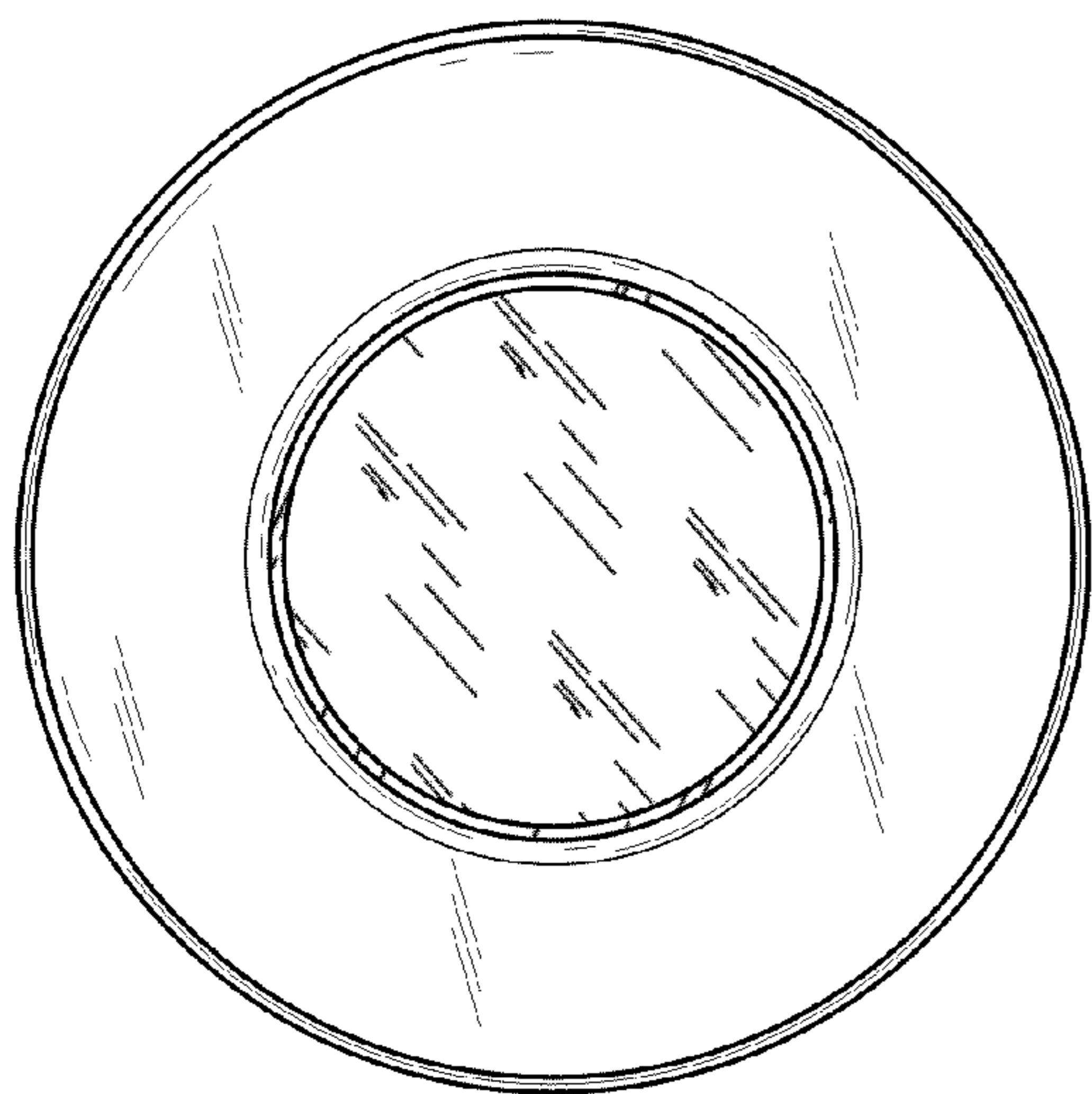


FIG. 6

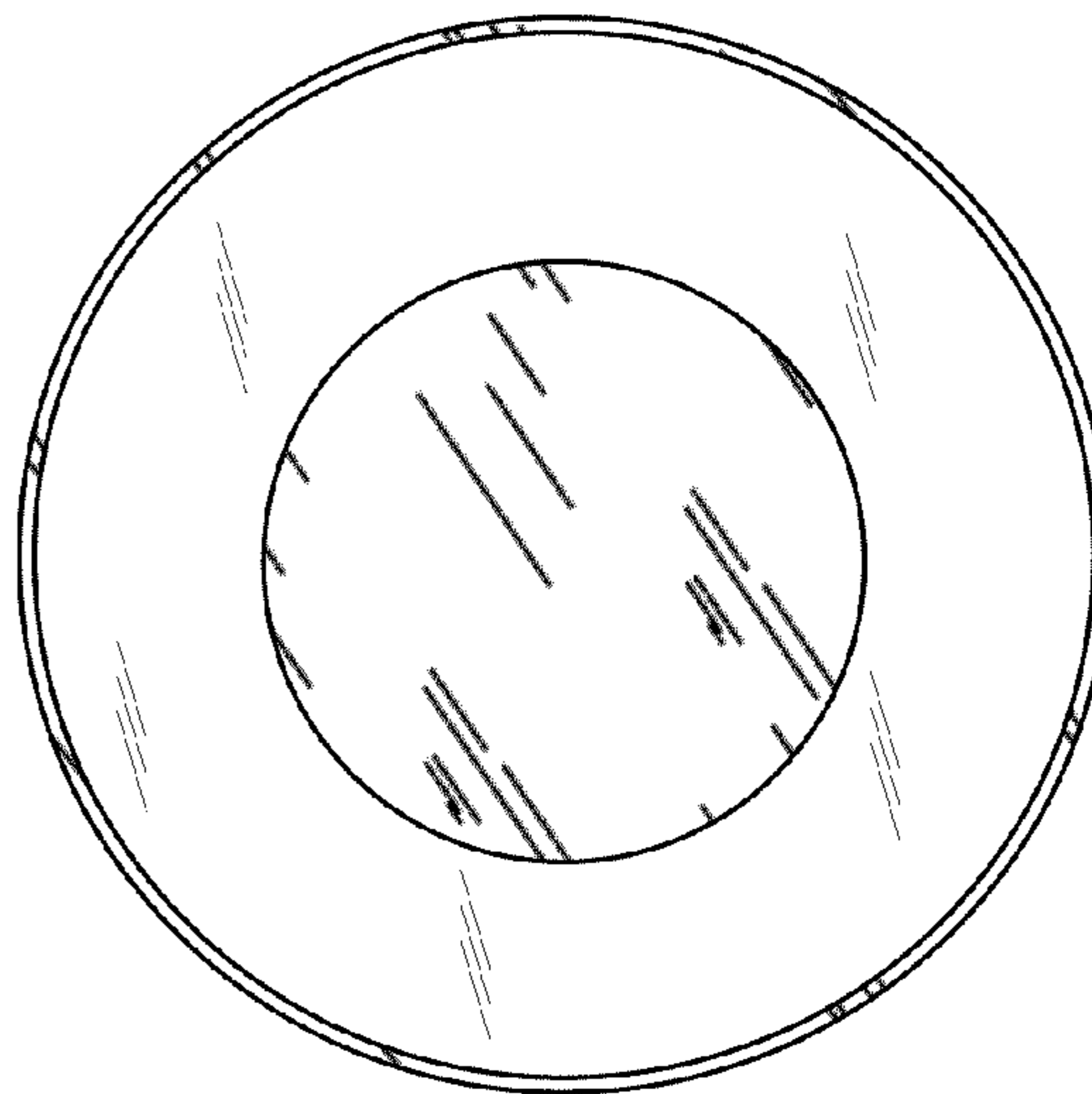


FIG. 7

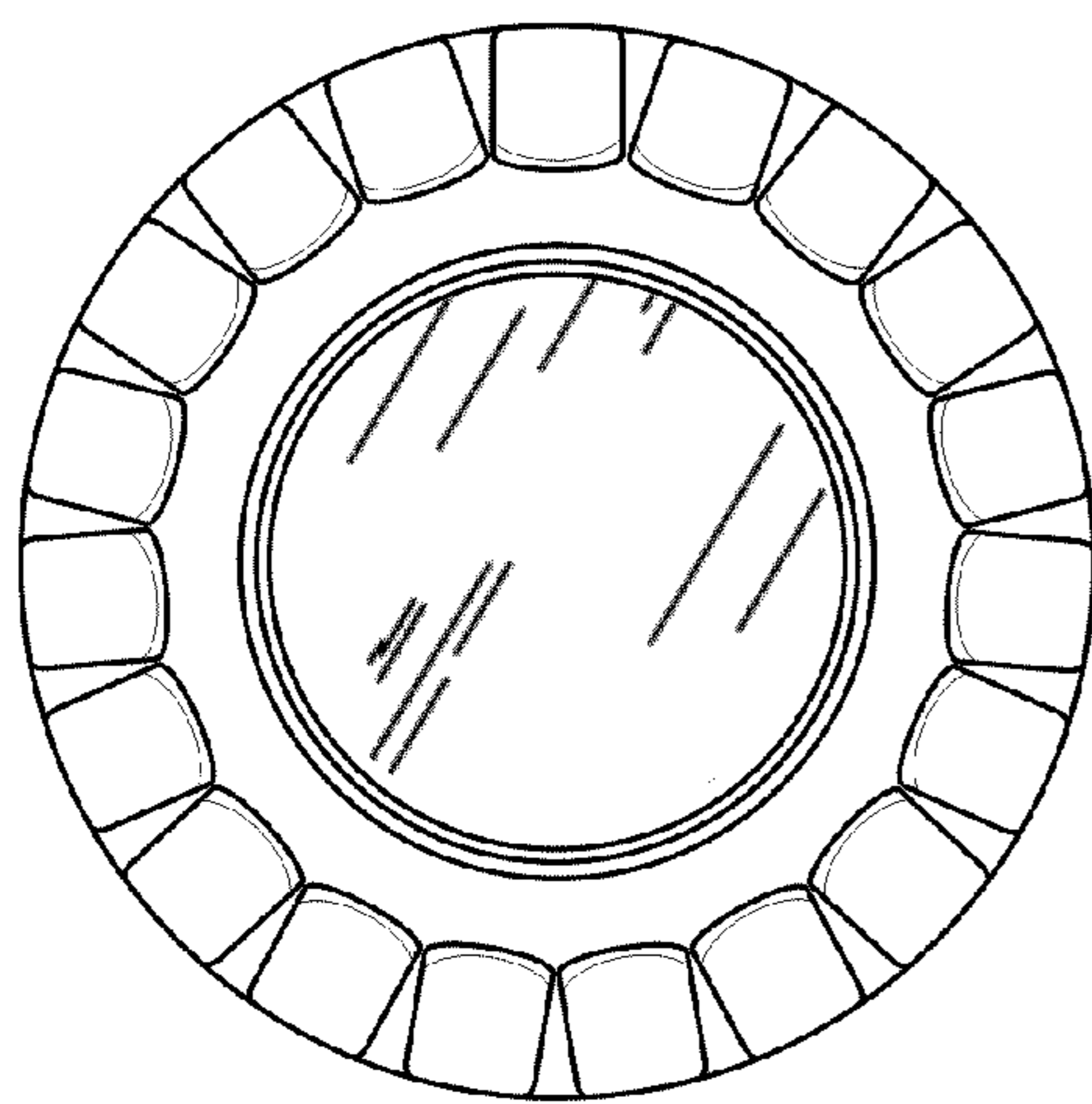


FIG. 8

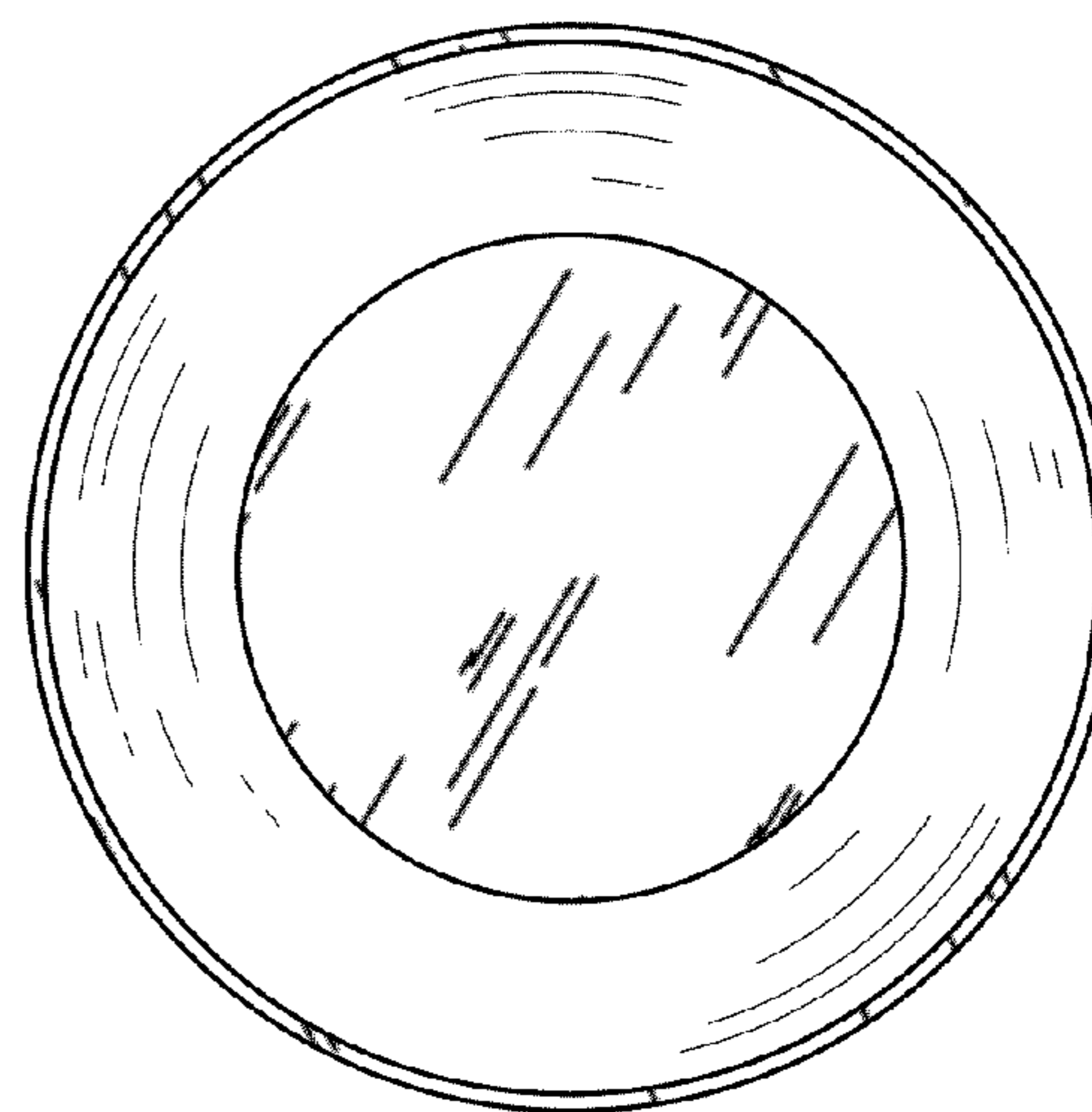


FIG. 9