



US00D644063S

(12) **United States Design Patent**  
**Voron et al.**

(10) **Patent No.:** **US D644,063 S**  
(45) **Date of Patent:** **\*\* Aug. 30, 2011**

(54) **CUP REST FOR A BEVERAGE DISPENSER**  
(75) Inventors: **Vincent Voron**, Duluth, GA (US); **Jae Ho Cha**, Woodstock, GA (US); **Joanne Fleming**, Del Mar, CA (US); **Edward John Bohnenstiehl**, Mobile, AL (US)

D455,607 S \* 4/2002 Johnson ..... D7/397  
D529,147 S \* 9/2006 Sutopo ..... D23/284  
D542,088 S \* 5/2007 Albrecht et al. .... D7/400  
D602,132 S \* 10/2009 Mahon ..... D23/284  
7,823,501 B2 \* 11/2010 Rijskamp et al. .... 99/304

\* cited by examiner

(73) Assignee: **The Coca-Cola Company**, Atlanta, GA (US)

*Primary Examiner* — Marianne Pandozzi  
(74) *Attorney, Agent, or Firm* — Michael J. Kline

(\*\*) Term: **14 Years**

(57) **CLAIM**

(21) Appl. No.: **29/366,619**

We claim the ornamental design for a cup rest for a beverage dispenser, as shown and described.

(22) Filed: **Jul. 28, 2010**

(51) **LOC (9) Cl.** ..... **07-99**

(52) **U.S. Cl.** ..... **D7/397; D7/399**

(58) **Field of Classification Search** ..... D7/397,  
D7/399, 387, 306; 220/321; 99/279, 304,  
99/305; D24/287, 284

See application file for complete search history.

**DESCRIPTION**

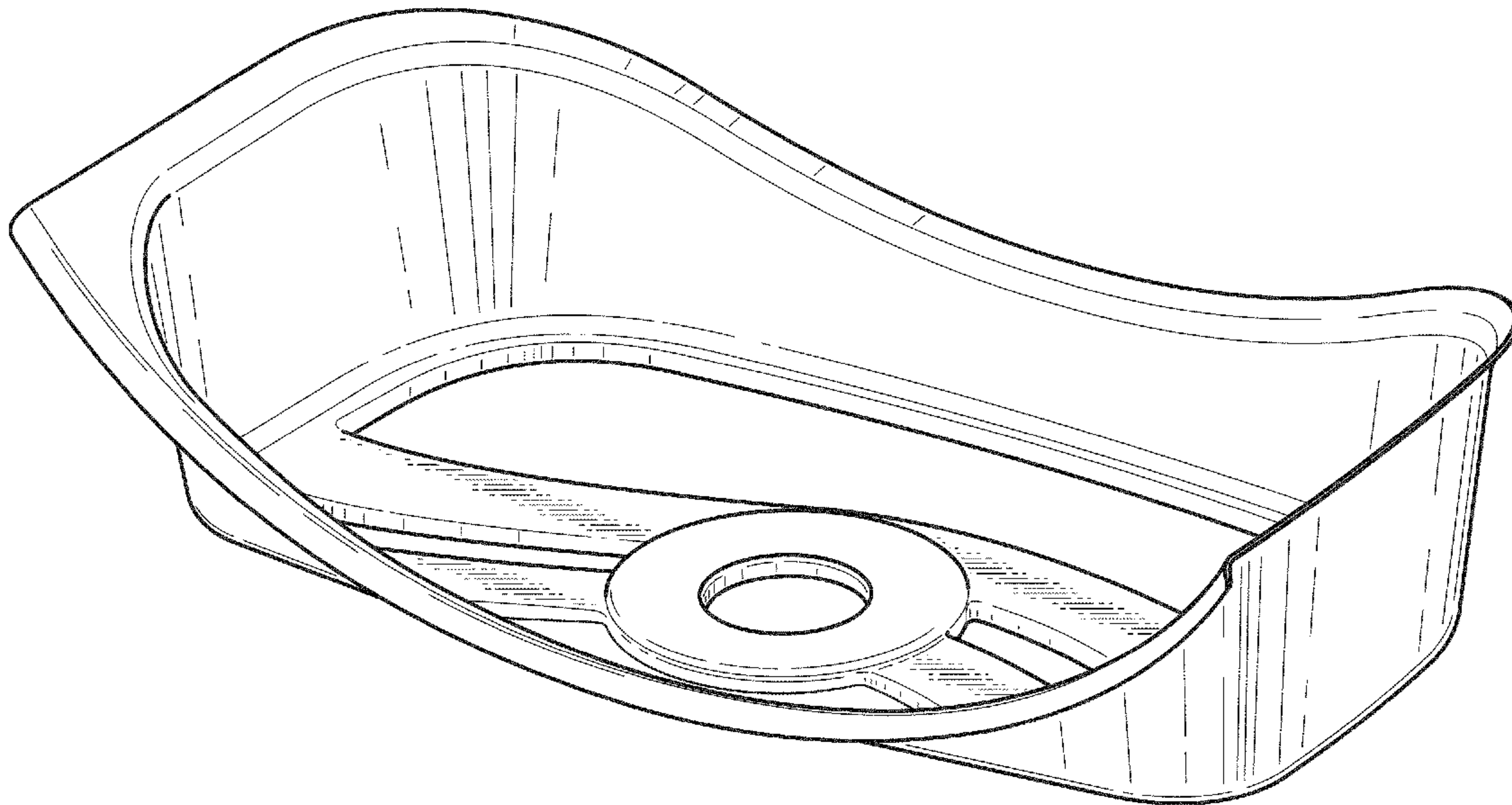
FIG. 1 is a top front left side perspective view of a cup rest for a beverage dispenser showing our new design; FIG. 2 is a front elevational view thereof; FIG. 3 is a back elevational view thereof; FIG. 4 is a right side elevational view thereof; FIG. 5 is a left side elevational view thereof; FIG. 6 is a top plan view thereof; and, FIG. 7 is a bottom plan view thereof.

(56) **References Cited**

U.S. PATENT DOCUMENTS

3,353,615 A \* 11/1967 Nekimken ..... 177/245  
D360,430 S \* 7/1995 Jeong ..... D18/55

**1 Claim, 5 Drawing Sheets**



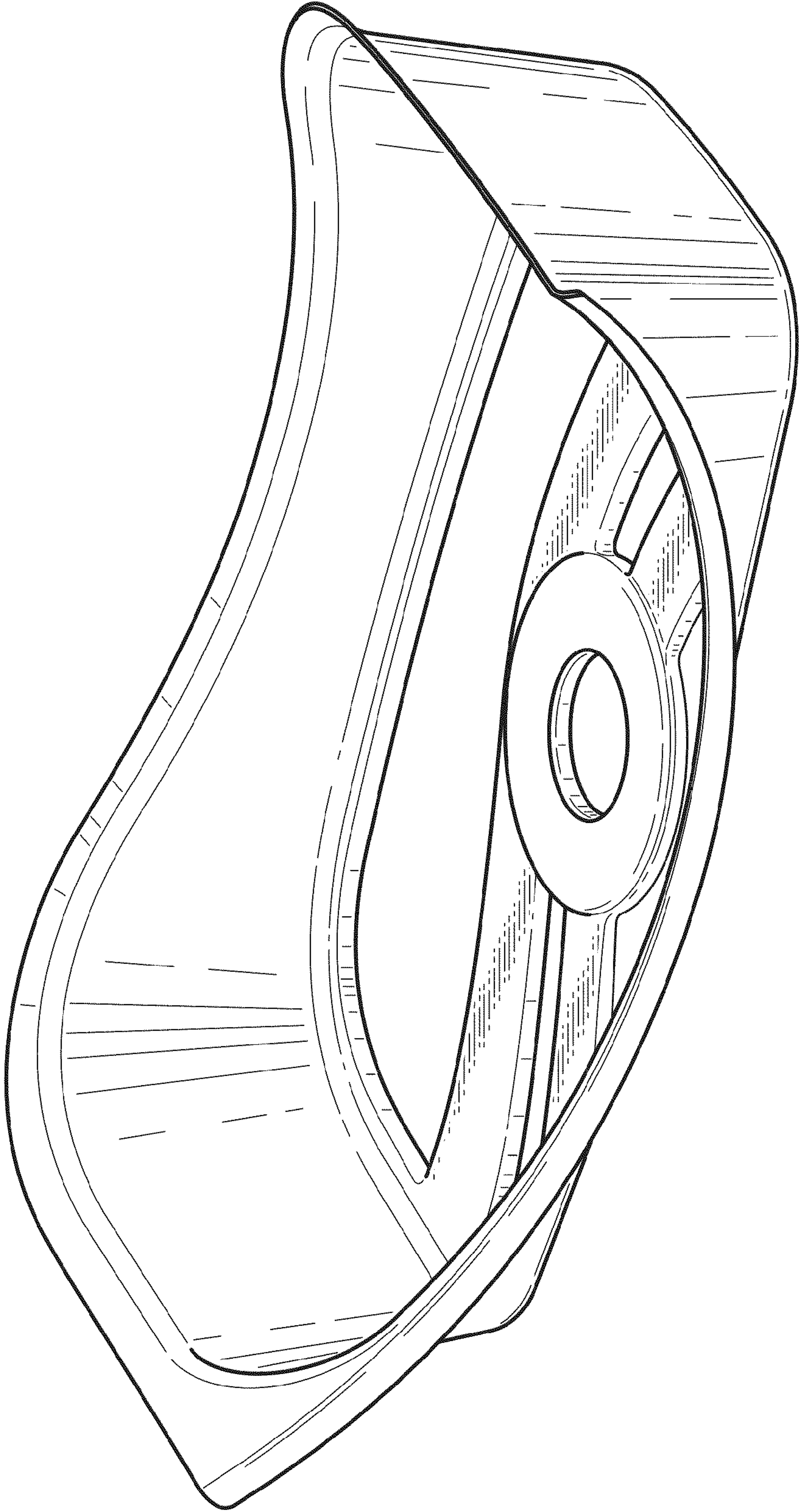


FIG. 1

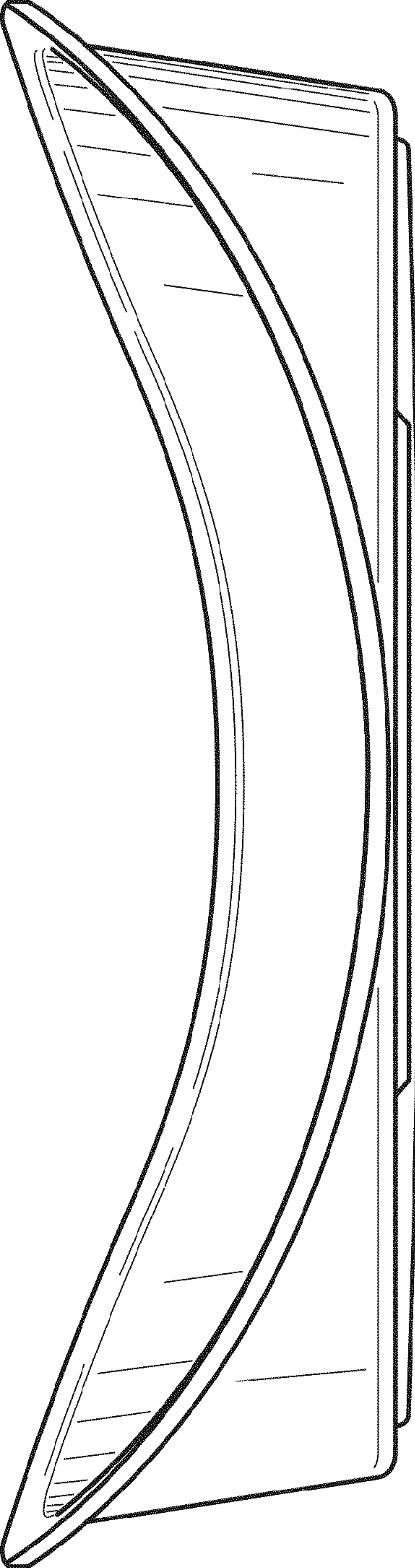


FIG. 2

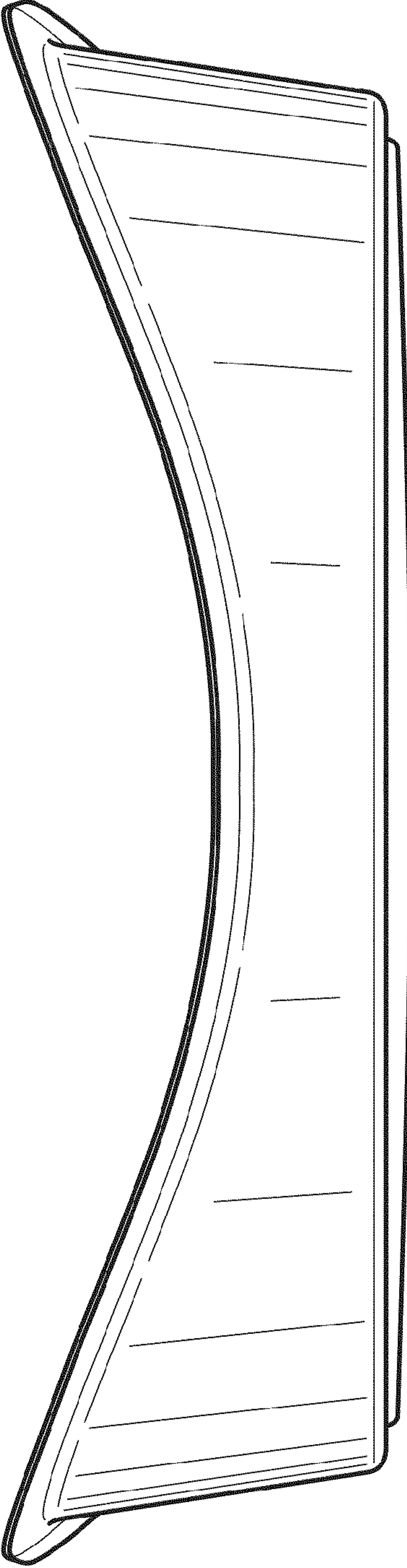


FIG. 3



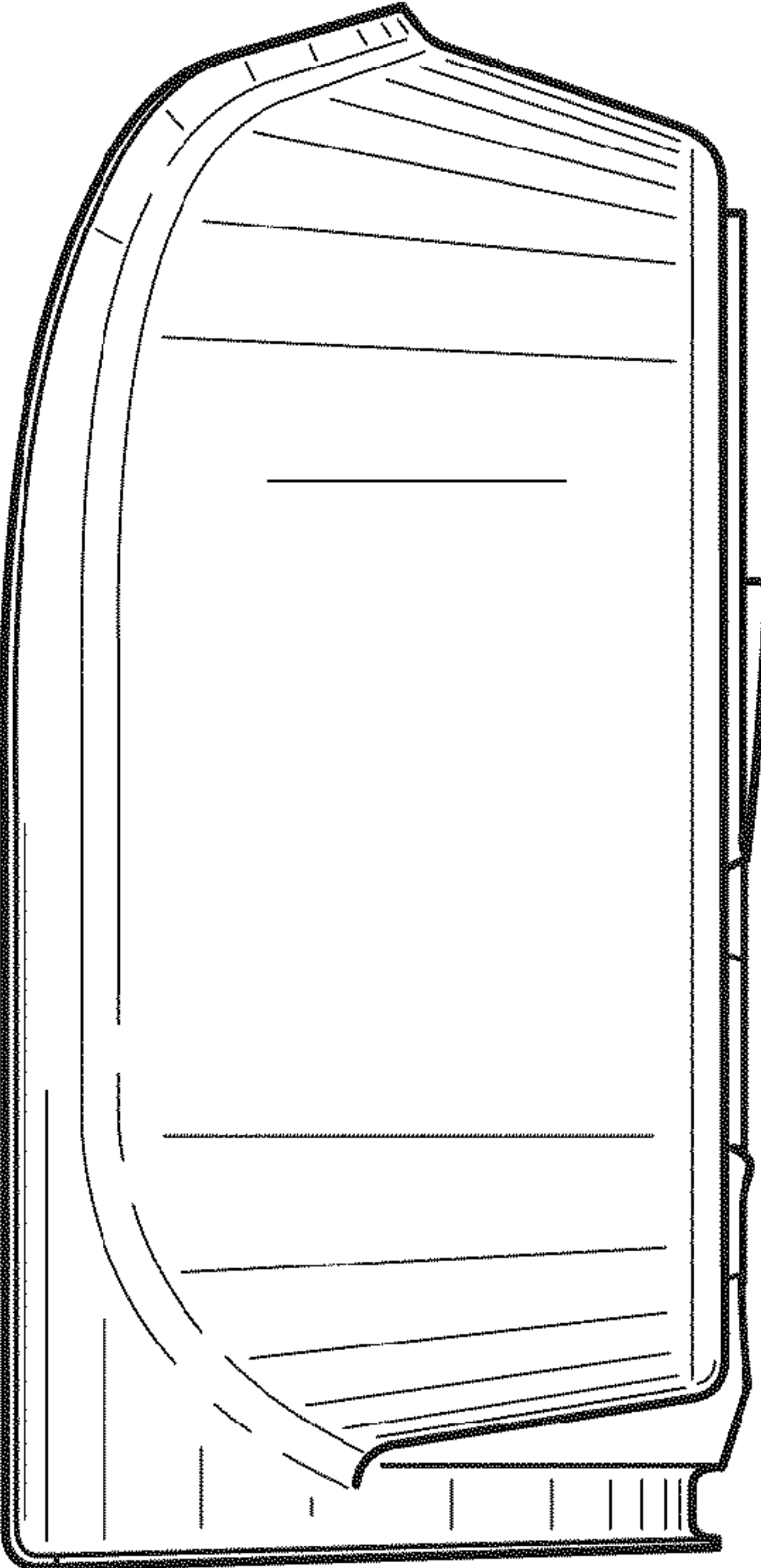


FIG. 4

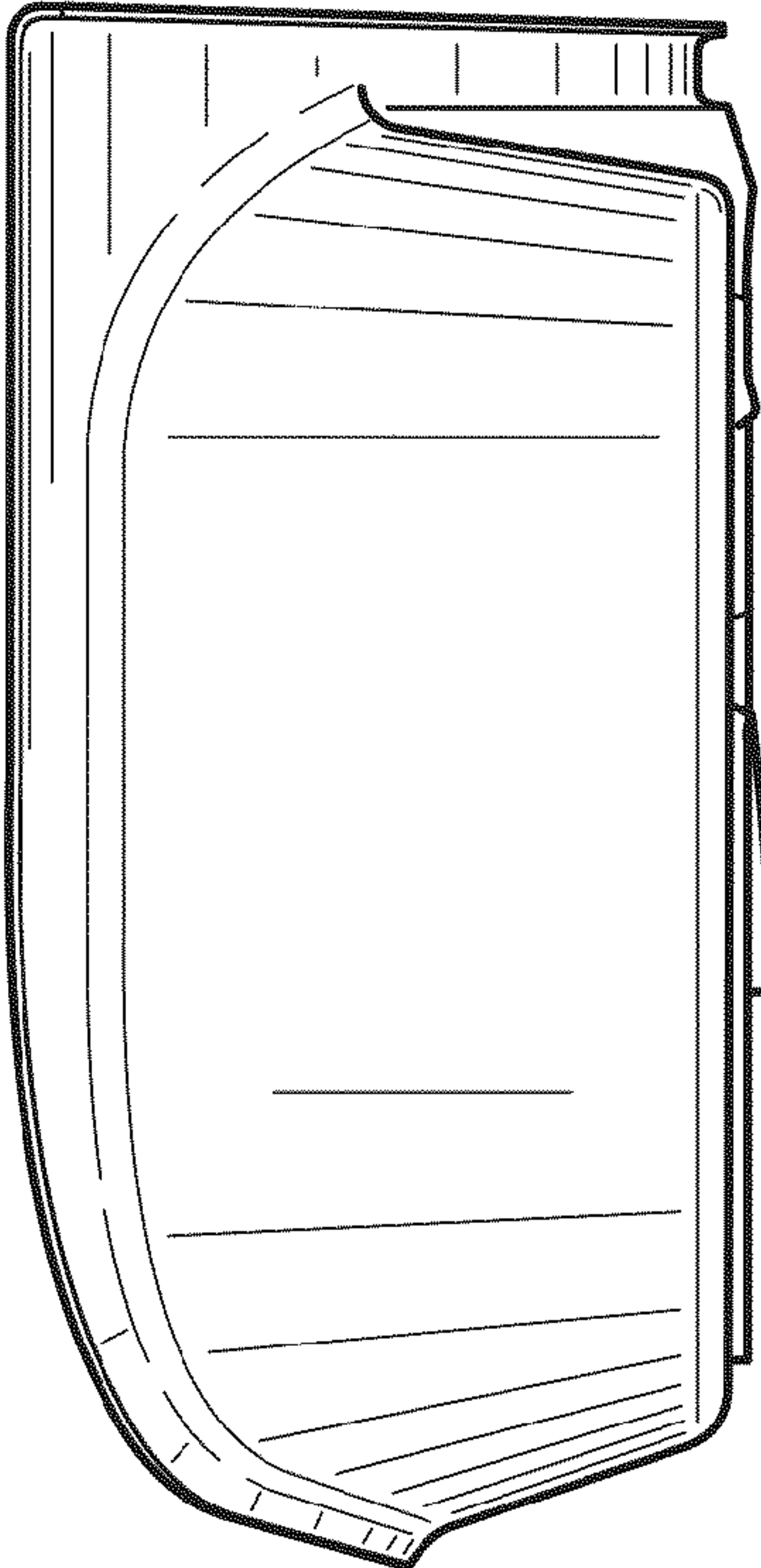


FIG. 5

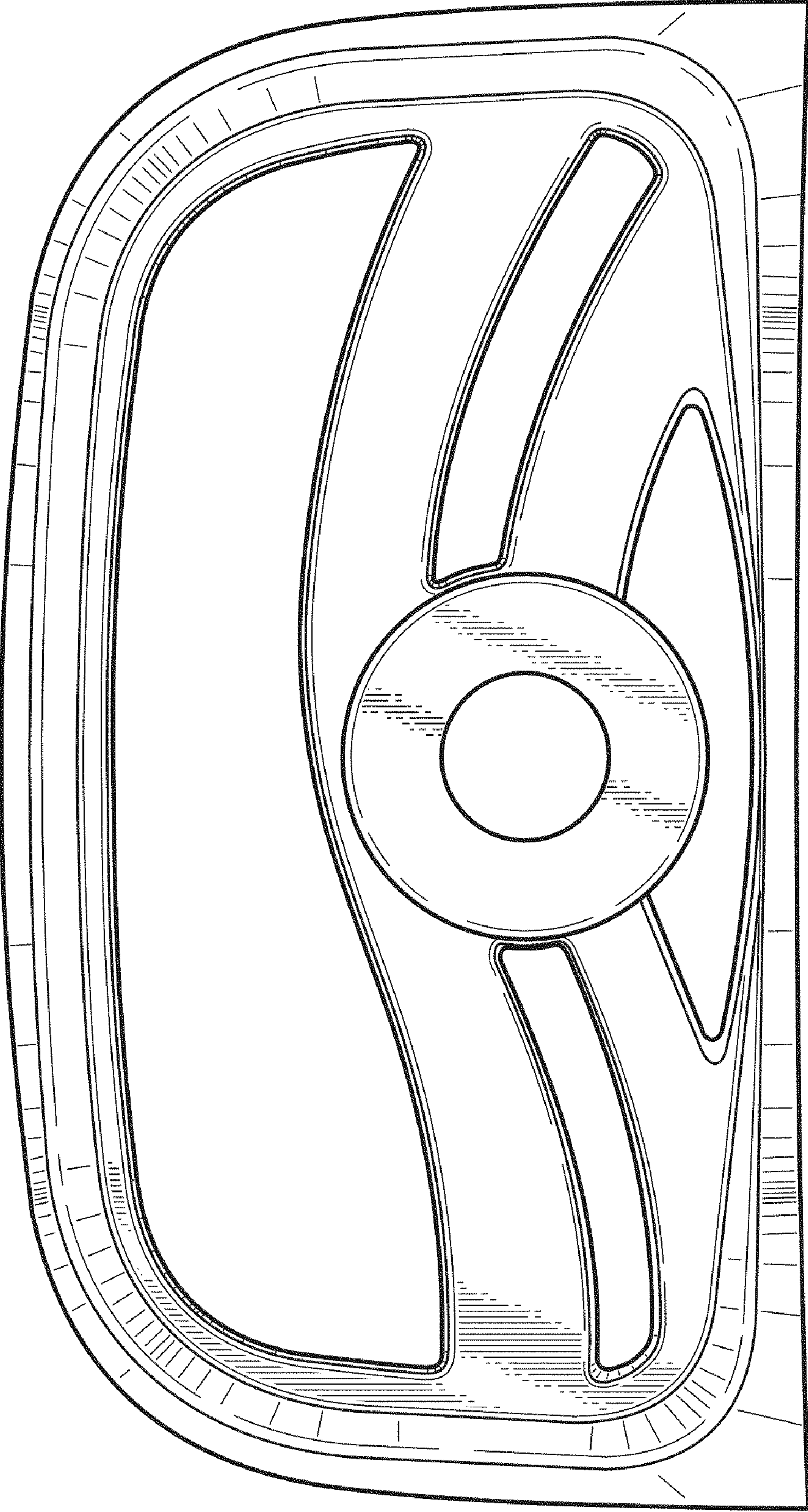


FIG. 6



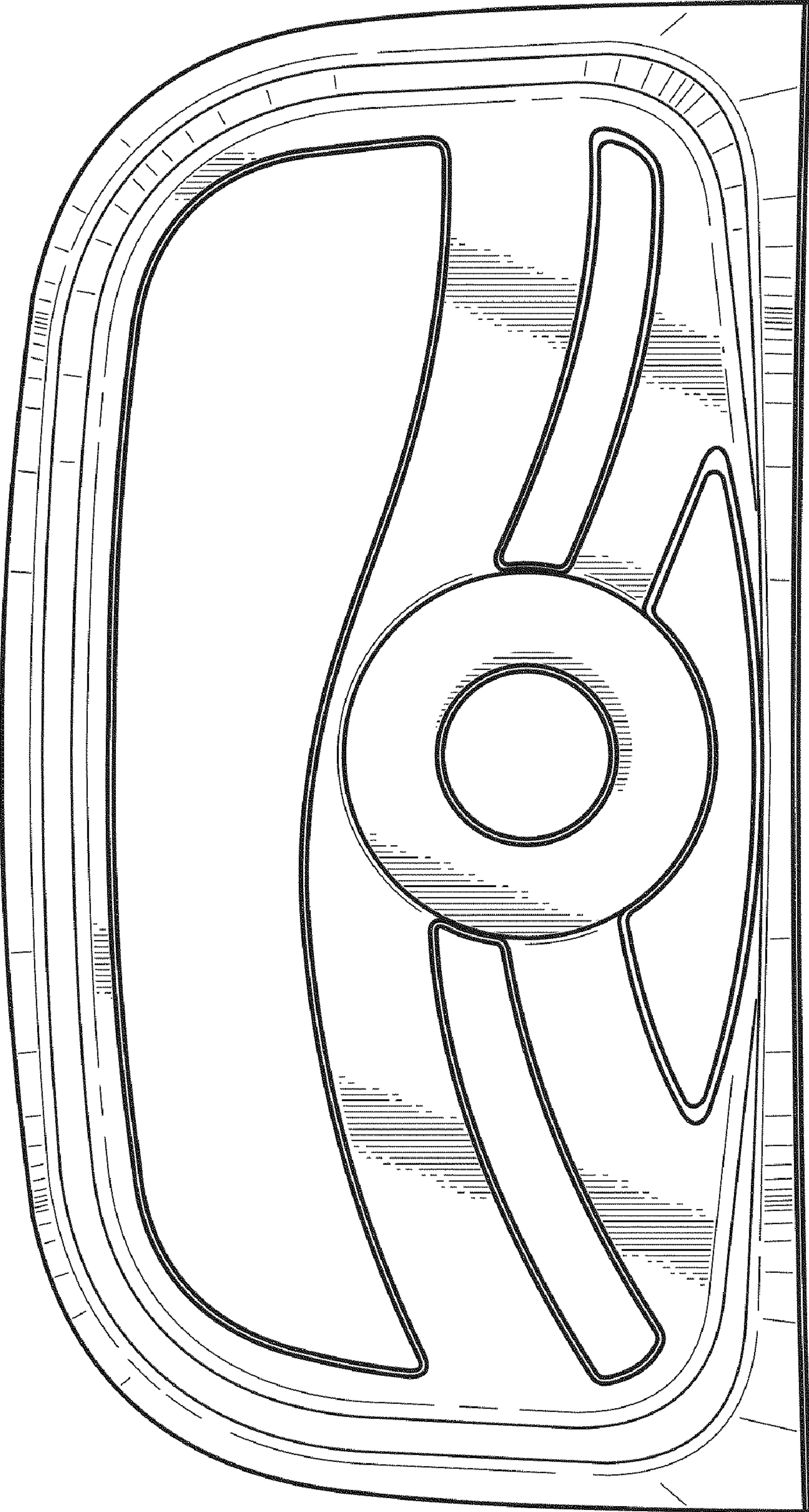


FIG. 7