



US00D644060S

(12) **United States Design Patent**  
**Komeiji**

(10) **Patent No.:** **US D644,060 S**

(45) **Date of Patent:** **\*\* Aug. 30, 2011**

(54) **BEVERAGE CONTAINER LID**

(75) Inventor: **Haruo Komeiji**, Tokyo (JP)

(73) Assignee: **K • M • J Co., Ltd.**, Tokyo (JP)

(\*\*) Term: **14 Years**

(21) Appl. No.: **29/347,980**

(22) Filed: **Aug. 26, 2010**

(30) **Foreign Application Priority Data**

Feb. 26, 2010 (JP) ..... 2010-004666

(51) **LOC (9) Cl.** ..... **07-02**

(52) **U.S. Cl.** ..... **D7/392.1**

(58) **Field of Classification Search** ..... D7/316,  
D7/317, 391, 392, 392.1, 396.2, 509, 510,  
D7/511, 629; D9/434, 435, 440, 444, 445,  
D9/447, 449-450, 454, 503-504; 215/211,  
215/200, 224, 228, 243; 220/254.7, 269,  
220/270, 271, 700, 701, 703, 711, 713-715,  
220/719

See application file for complete search history.

(56) **References Cited**

**U.S. PATENT DOCUMENTS**

D485,759 S \* 1/2004 Janky et al. .... D9/449  
D504,796 S \* 5/2005 Schuler et al. .... D7/392.1  
D560,435 S \* 1/2008 Meehan ..... D7/510  
D572,531 S \* 7/2008 Romandy et al. .... D7/510

D604,103 S \* 11/2009 Alviar et al. .... D7/533  
D609,054 S \* 2/2010 Gilbert ..... D7/510  
D632,132 S \* 2/2011 George ..... D7/510

\* cited by examiner

*Primary Examiner* — Cynthia M Chin

(74) *Attorney, Agent, or Firm* — Jacobson Holman PLLC

(57) **CLAIM**

The ornamental design for the beverage container lid, as shown and described.

**DESCRIPTION**

FIG. 1 is a front perspective view of the beverage container lid embodying my design;

FIG. 2 is a front elevational view of the beverage container lid;

FIG. 3 is a top plan view of the beverage container lid;

FIG. 4 is a right side elevational view of the beverage container lid, the left side elevational view being a mirror image thereof;

FIG. 5 is a back elevational view of the beverage container lid;

FIG. 6 is a bottom view of the beverage container lid;

FIG. 7 is a longitudinal sectional view taken along line 7-7 of FIG. 2;

FIG. 8 is a referential sectional view showing open condition of the FIG. 7; and,

FIG. 9 is a perspective view of the open lid shown in FIG. 8, showing usage state of the beverage container lid.

The broken lines represent the environment in which the article resides and form no part of the claim.

**1 Claim, 5 Drawing Sheets**

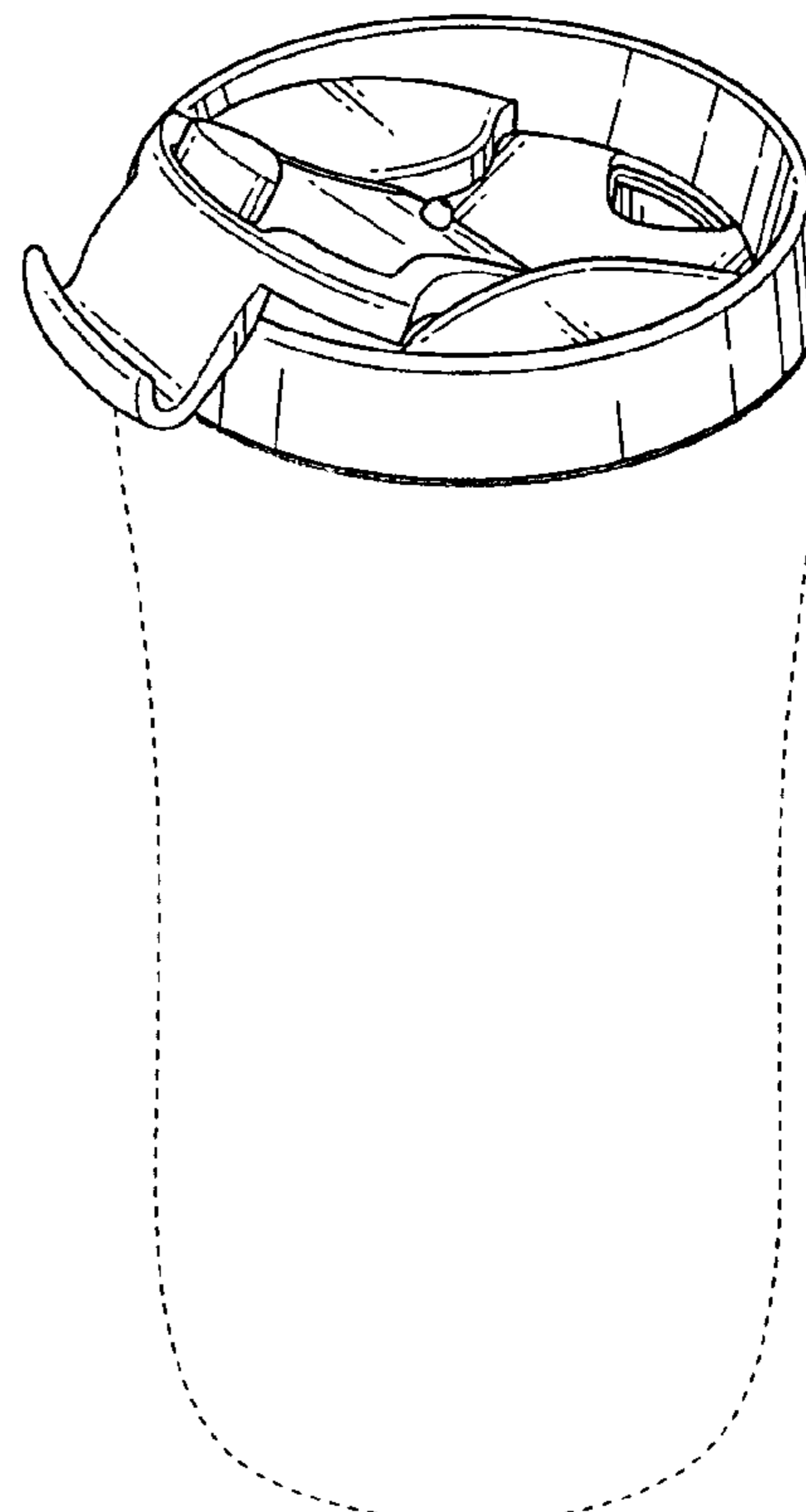
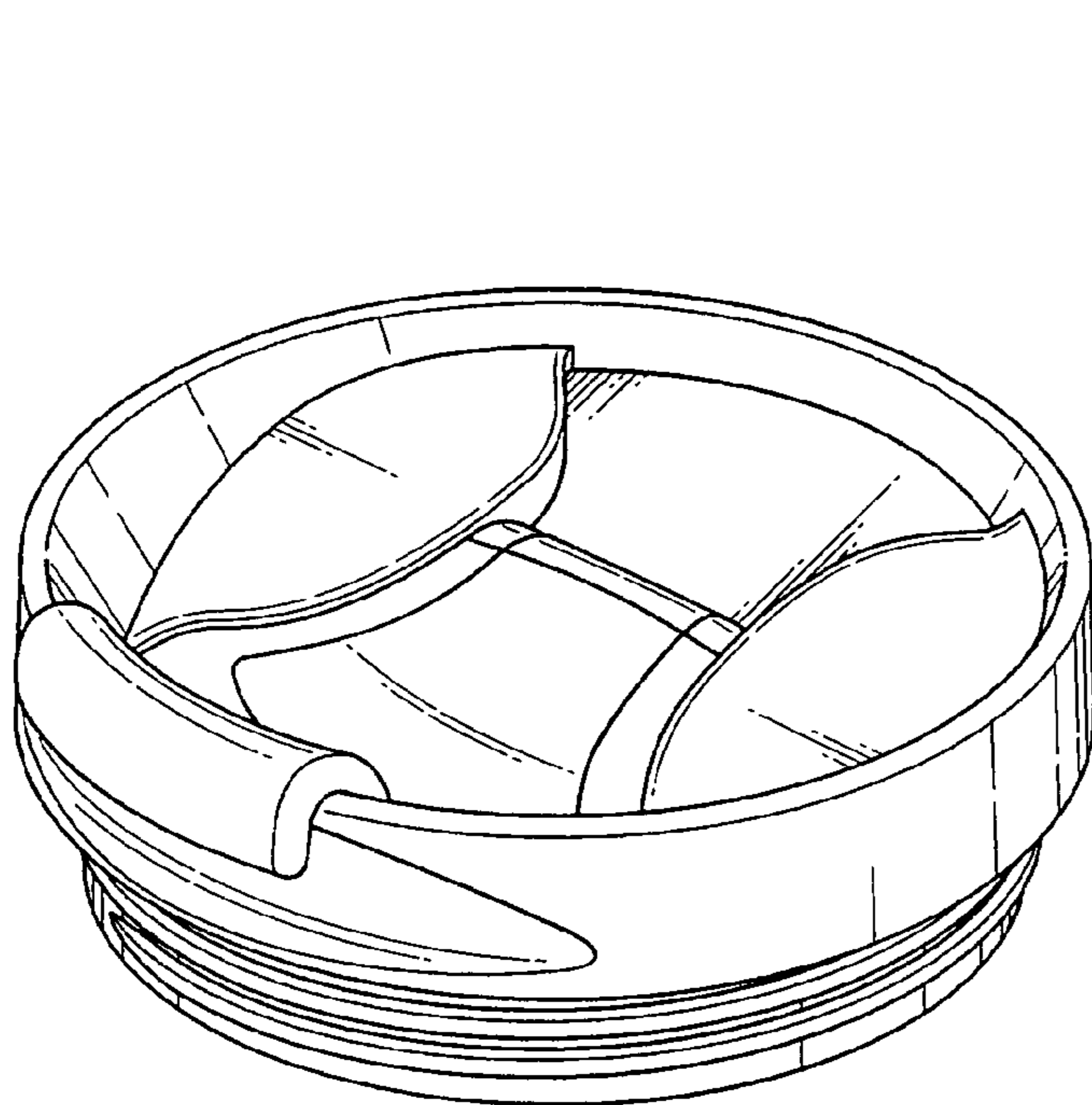


FIG. 1

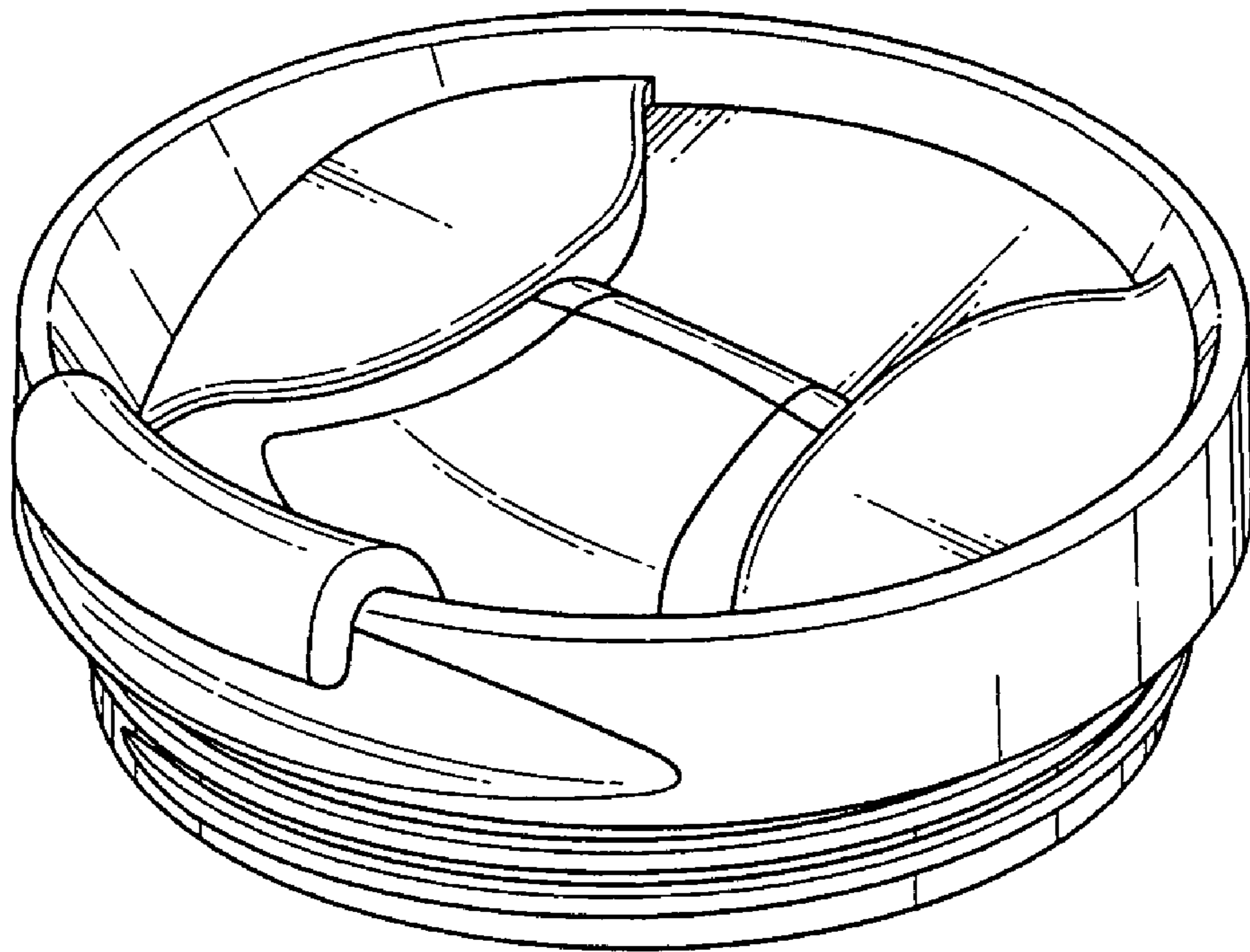


FIG. 2

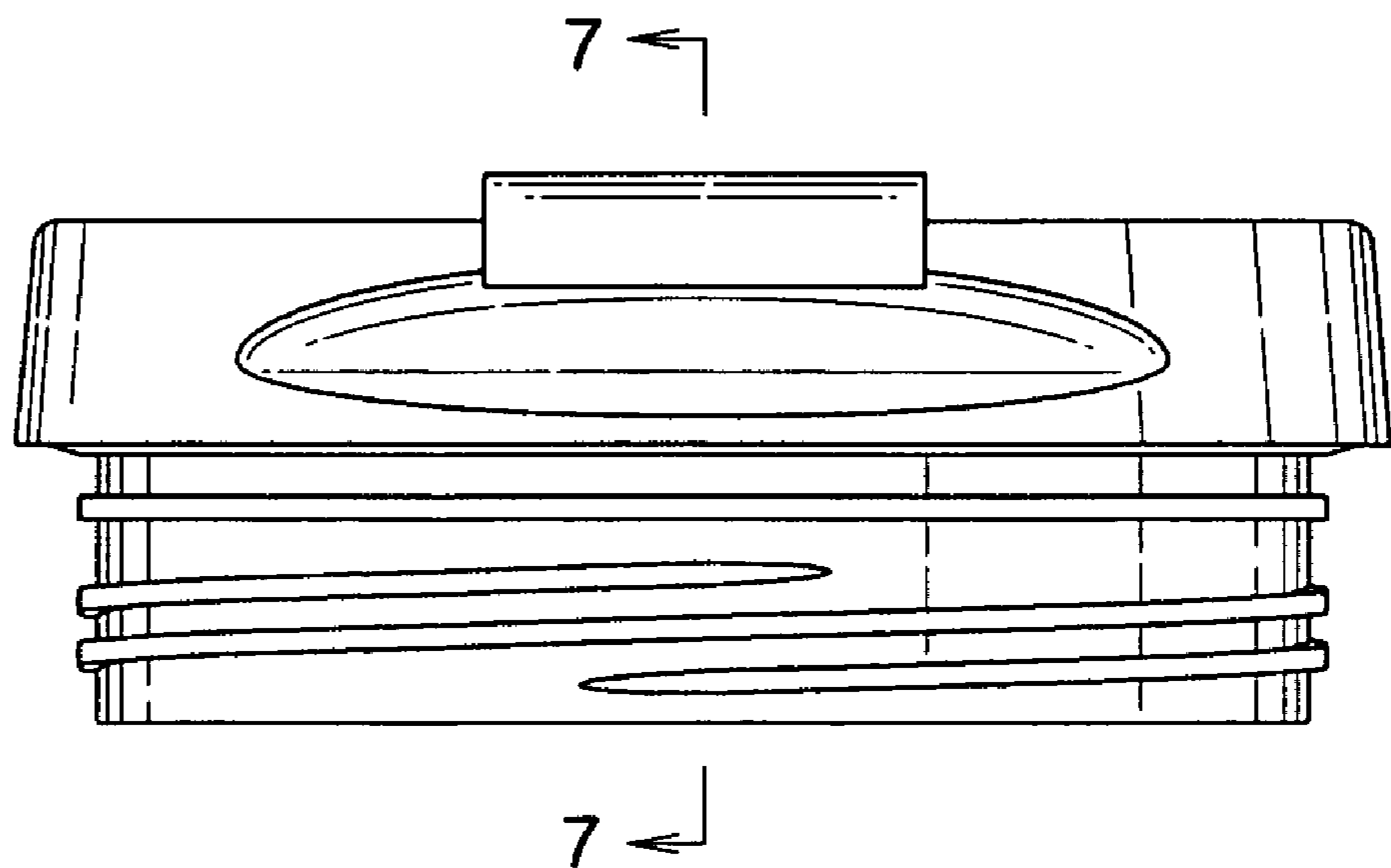


FIG.3

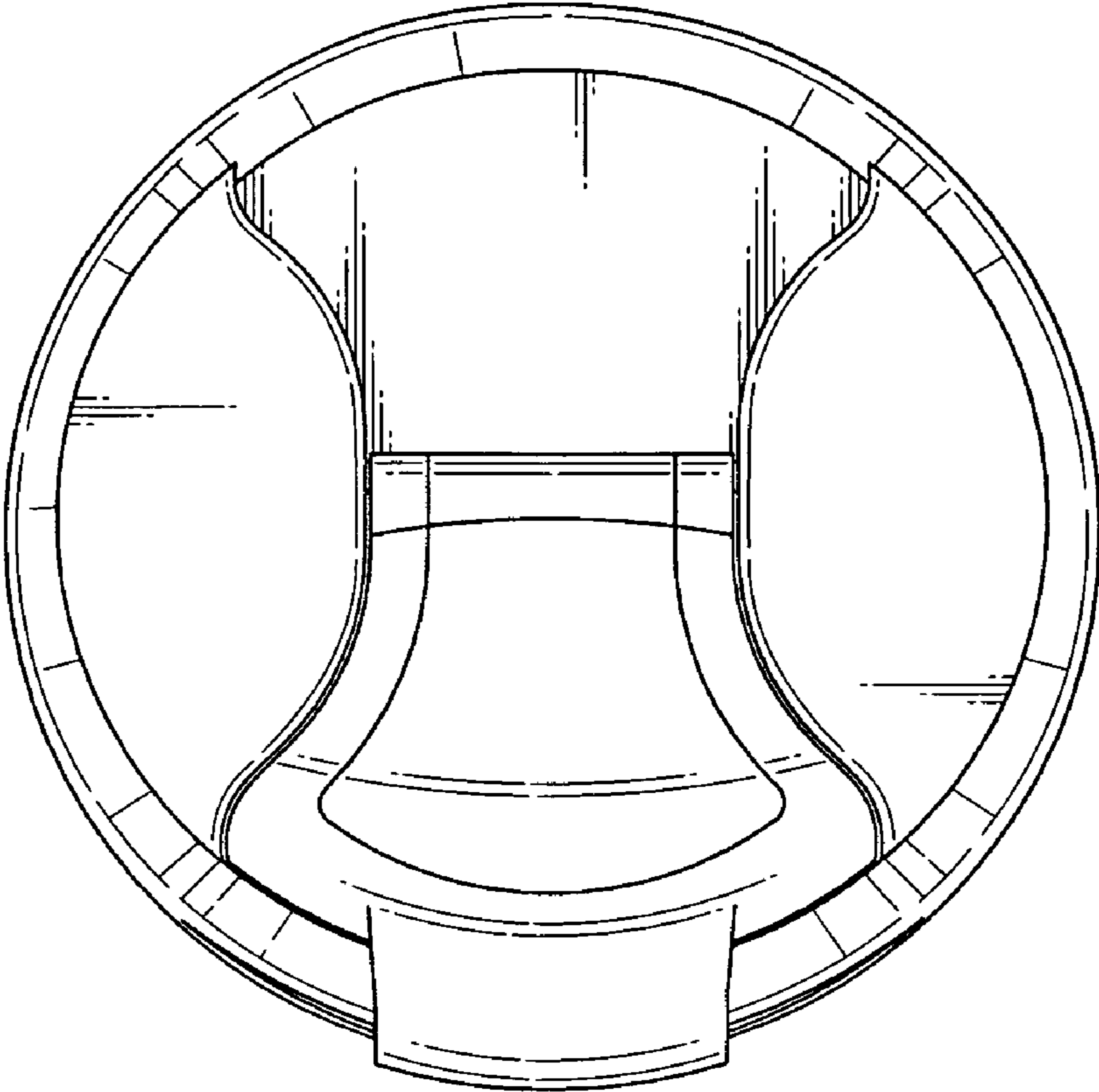


FIG.4

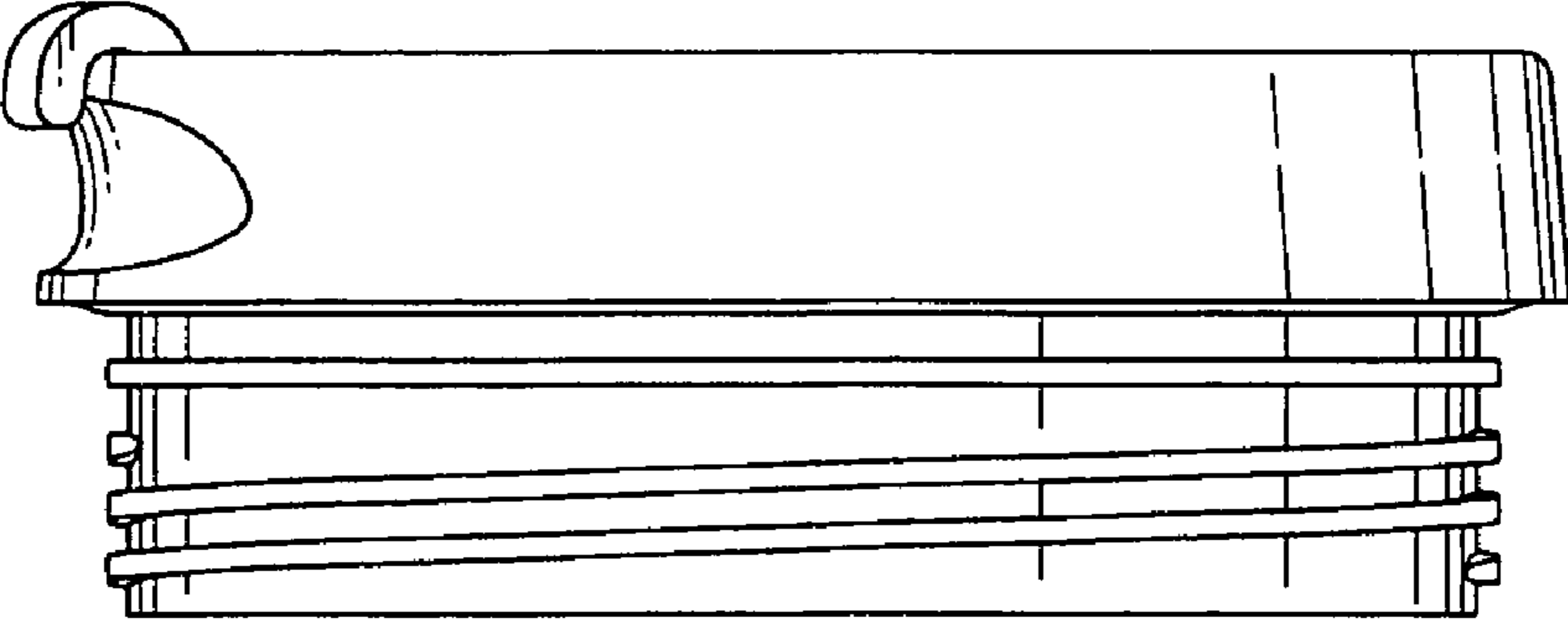


FIG.5

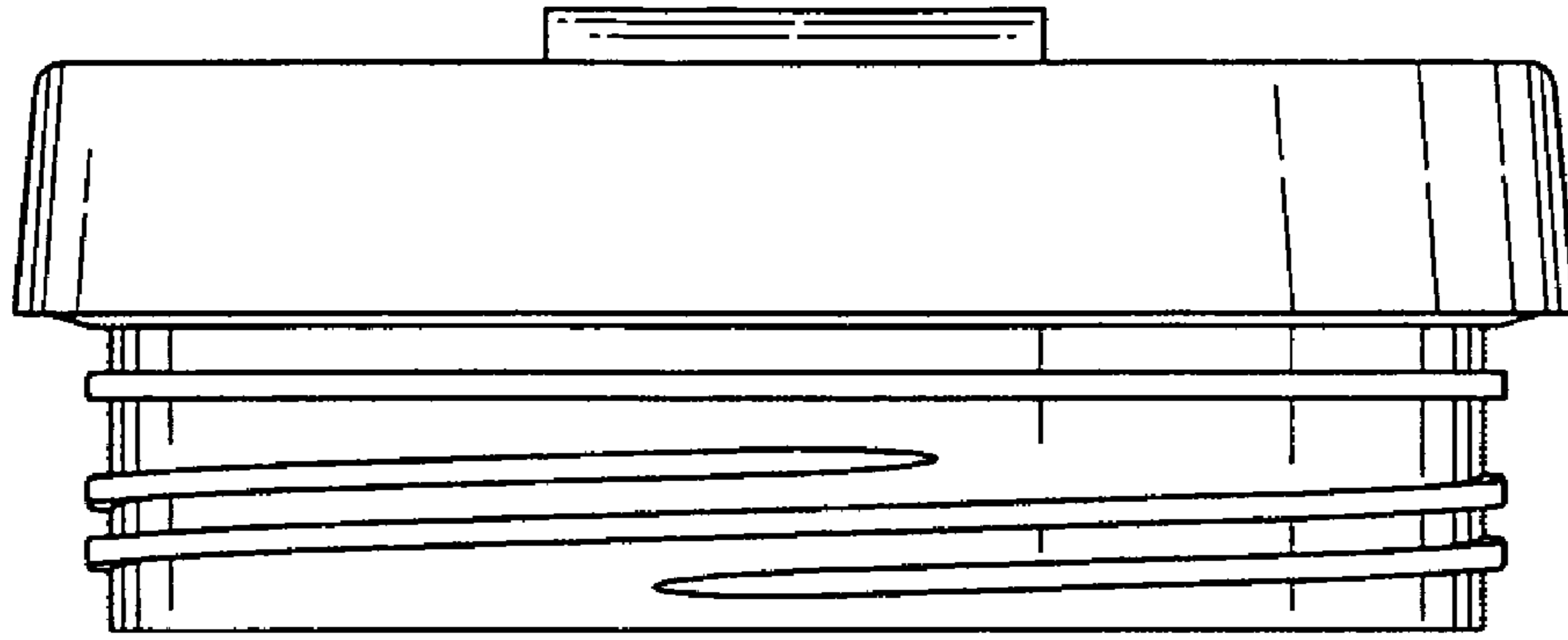


FIG.6

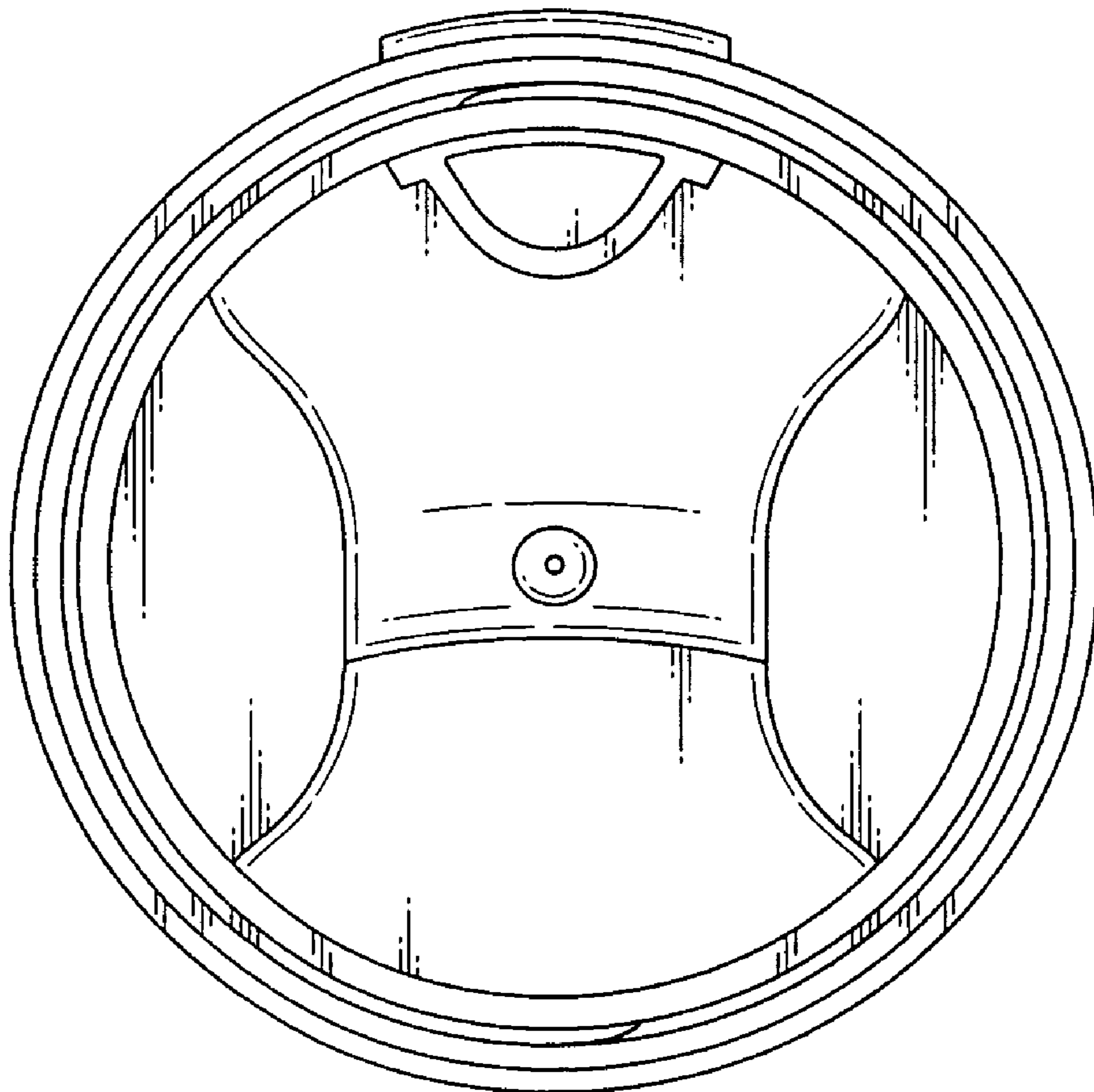


FIG.7

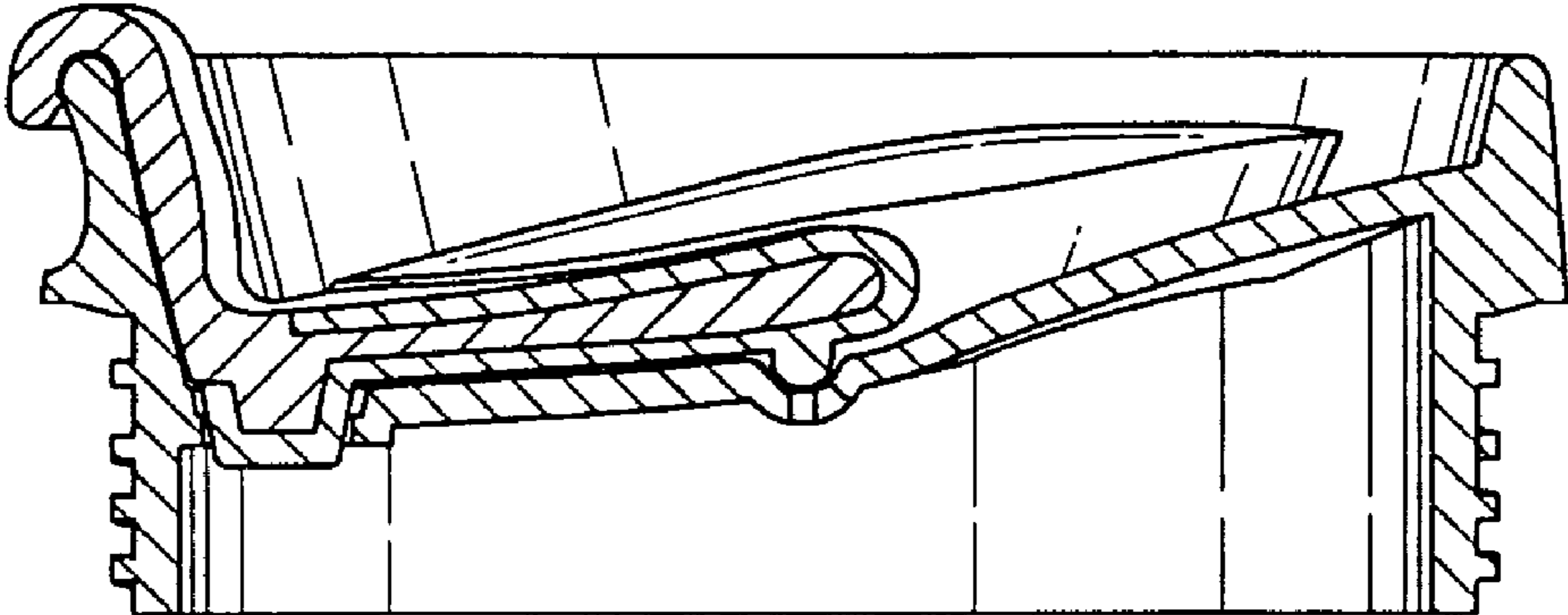


FIG.8

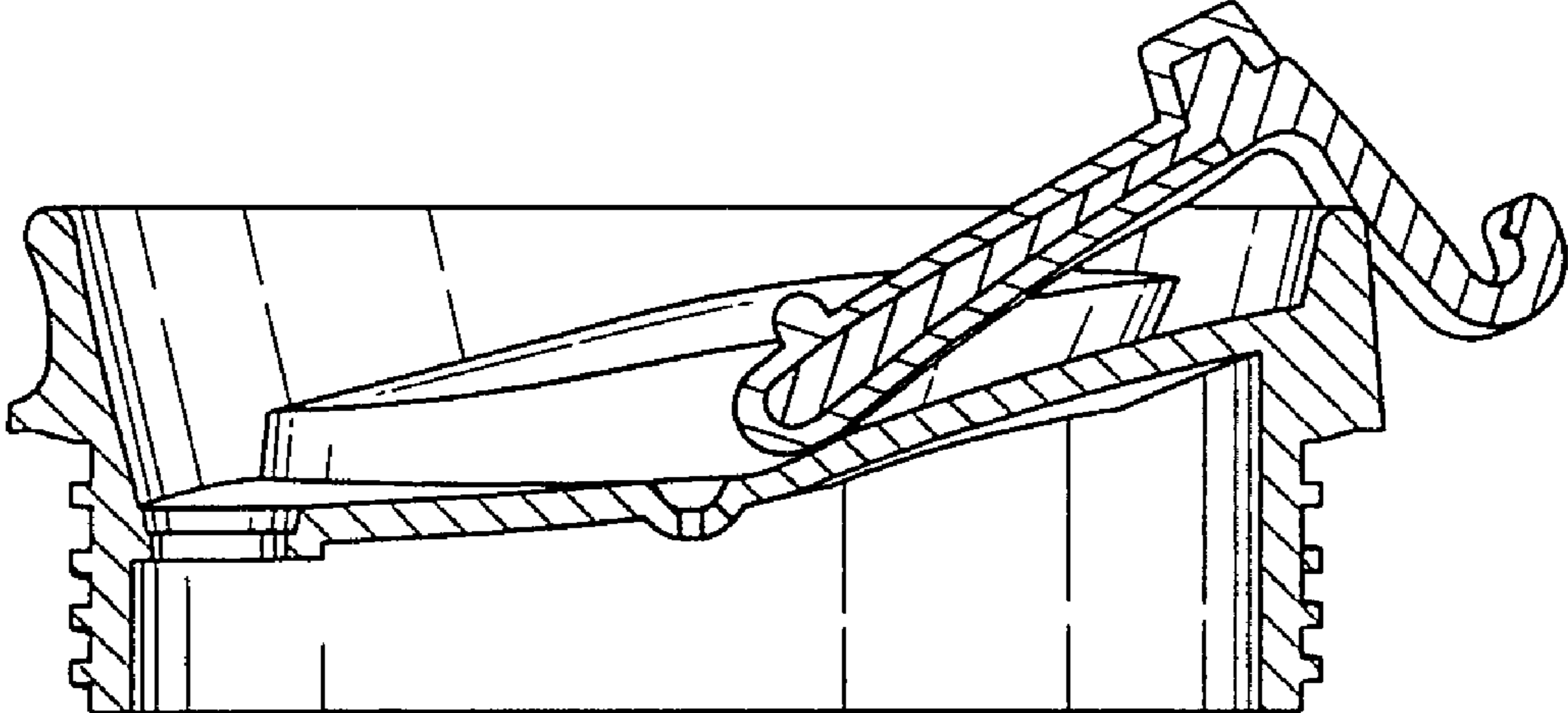


FIG. 9

