



US00D644059S

(12) **United States Design Patent**
Bodum

(10) **Patent No.:** **US D644,059 S**

(45) **Date of Patent:** **** Aug. 30, 2011**

(54) **ELECTRIC GRILL**

(75) **Inventor:** **Jorgen Bodum**, Meggen (CH)

(73) **Assignee:** **PI-Design AG**, Triengen (CH)

(**) **Term:** **14 Years**

(21) **Appl. No.:** **29/380,202**

(22) **Filed:** **Dec. 1, 2010**

(30) **Foreign Application Priority Data**

Jun. 2, 2010 (WO) DM/073 816

(51) **LOC (9) Cl.** **07-02**

(52) **U.S. Cl.** **D7/363; D7/362**

(58) **Field of Classification Search** D7/309,
D7/323, 328-332, 334-341, 347-348, 350.1,
D7/350.4, 351-367; 99/324-327, 331, 339-341,
99/349, 353, 369, 372-377, 385-393, 425,
99/444, 446; 126/25 B, 25 R, 30, 41 R; 219/448.11,
219/450.1, 524-525, 620-622, 732-734
See application file for complete search history.

(56) **References Cited**

U.S. PATENT DOCUMENTS

5,504,295	A *	4/1996	Collas et al.	219/448.11
5,524,528	A *	6/1996	Yeh	99/446
5,546,851	A *	8/1996	Goto	99/446
5,884,555	A *	3/1999	Chang	99/425
D415,927	S *	11/1999	Weber	D7/363
6,024,014	A	2/2000	Kasai	
D437,183	S *	2/2001	Wong et al.	D7/362
D441,250	S *	5/2001	Choi	D7/362
D452,630	S *	1/2002	Choi	D7/362
D484,737	S *	1/2004	Bodum	D7/337
D503,067	S *	3/2005	Lubowicki	D7/362

D505,044	S	5/2005	Hei	
6,930,288	B1 *	8/2005	Lin et al.	219/450.1
D593,791	S *	6/2009	Joensson	D7/367
D610,394	S *	2/2010	Bodum	D7/362
2004/0045952	A1	3/2004	Rhinehart	

FOREIGN PATENT DOCUMENTS

DE	202005016787	U1	10/2005
DE	102006011413	A1	10/2006
WO	2010003269	A2	1/2010

OTHER PUBLICATIONS

ScreenShot_1 taken from the website <http://www.poking.com.hk/> on Feb. 1, 2011.

ScreenShot_2 taken from the website <http://www.poking.com.hk/> on Feb. 1, 2011.

* cited by examiner

Primary Examiner — Ricky Pham

(74) *Attorney, Agent, or Firm* — Sughrue Mion, PLLC

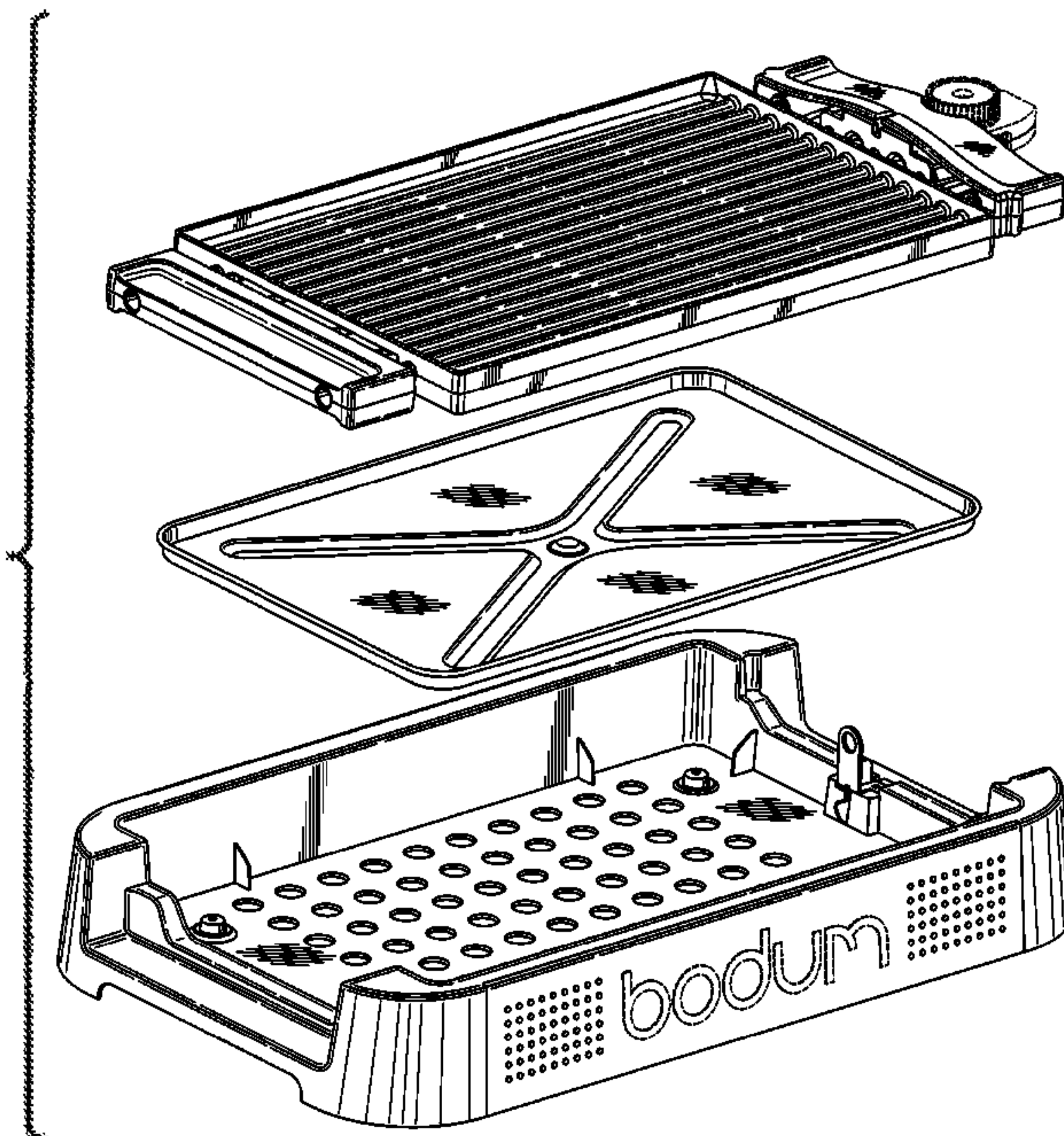
(57) **CLAIM**

The ornamental design for a electric grill, as shown and described.

DESCRIPTION

FIG. 1 is a first perspective view of the electric grill; FIG. 2 is a exploded view of the electric grill; FIG. 3 is a right side view of the electric grill; FIG. 4 is a left side view of the electric grill; FIG. 5 is a front view of the electric grill; FIG. 6 is a back view of the electric grill; FIG. 7 is a top view of the electric grill; and, FIG. 8 is a bottom view of the electric grill. The broken lines shown in the drawings are for illustrative purposes only and form no part of the claimed design.

1 Claim, 8 Drawing Sheets



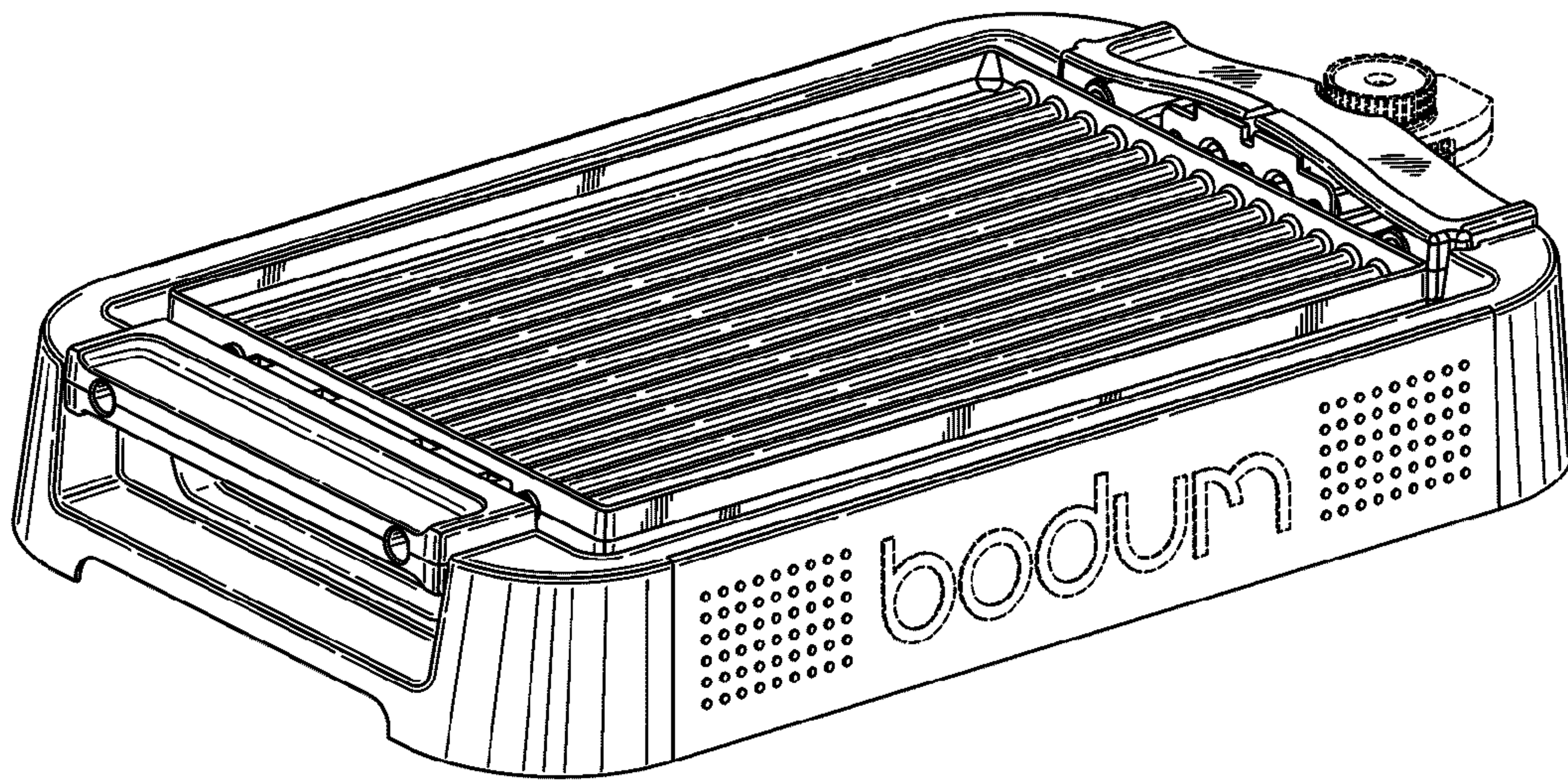


Figure 1

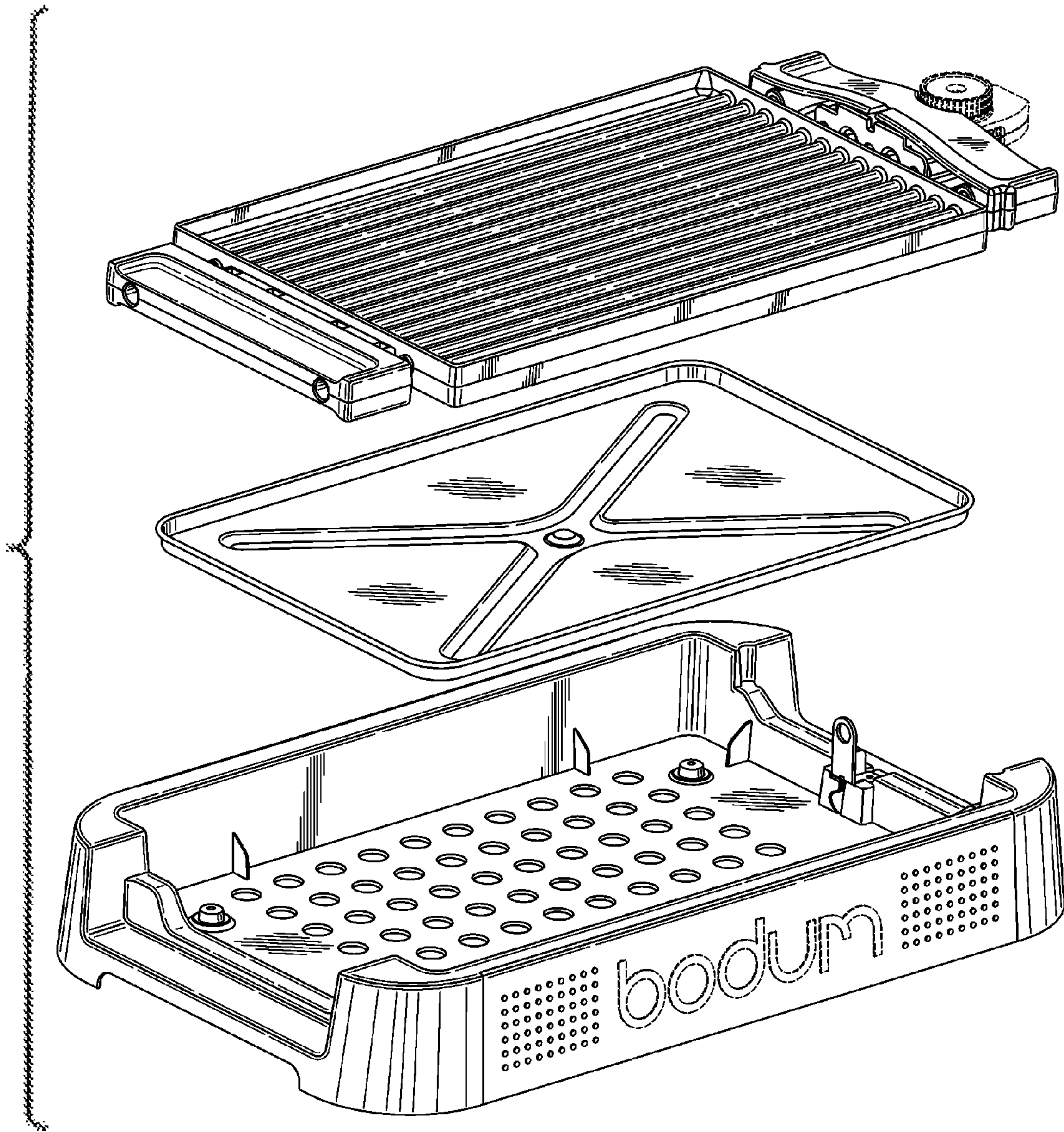


FIGURE 2

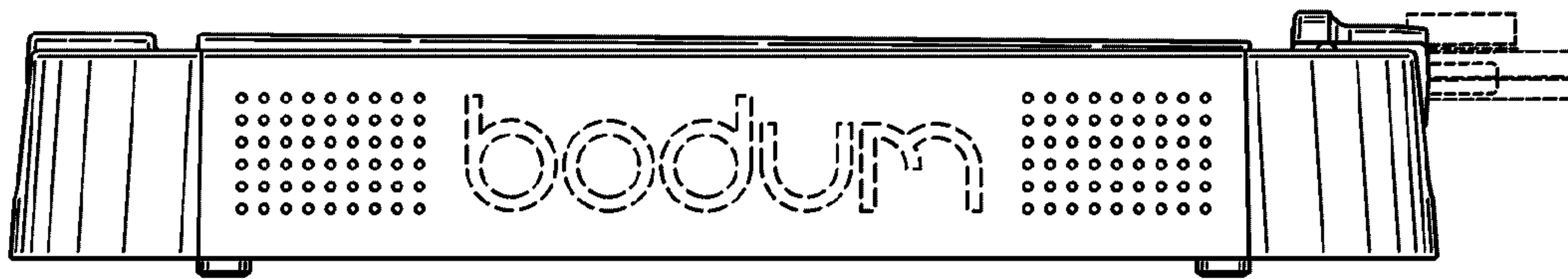


Figure 3

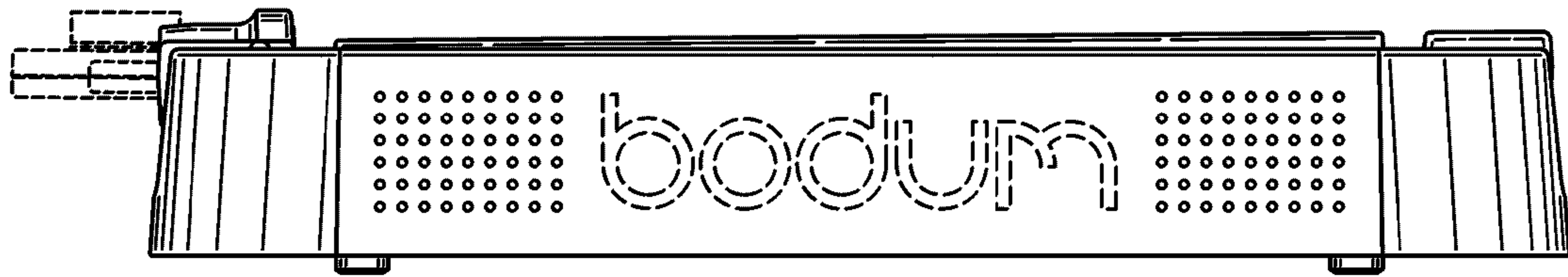


Figure 4

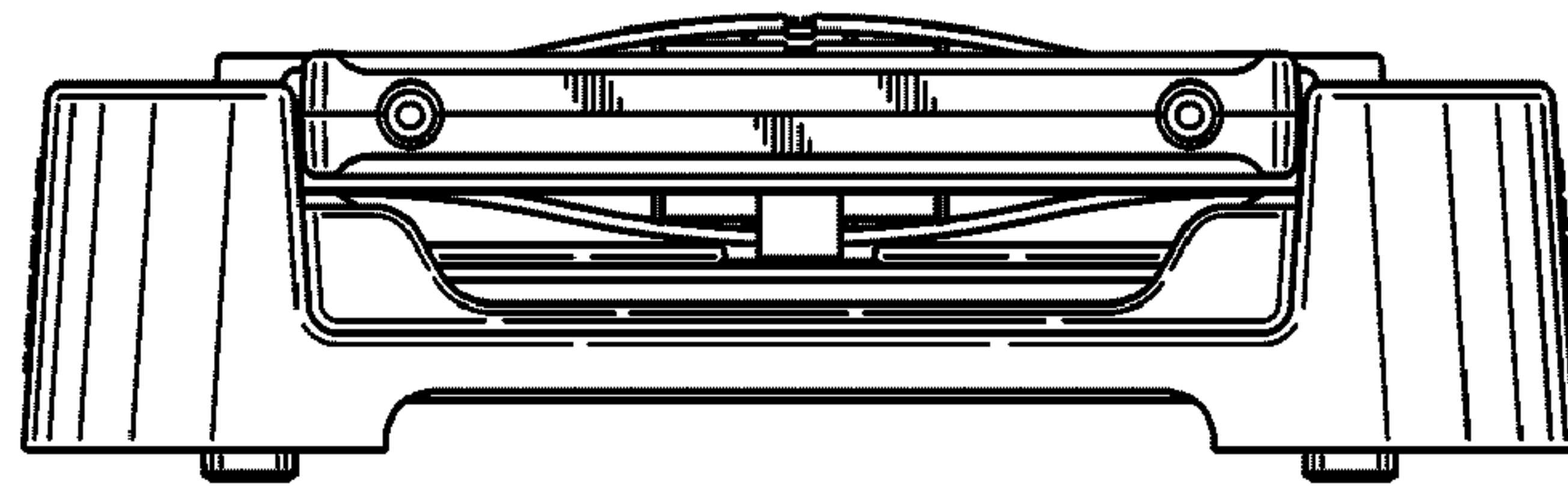


Figure 5

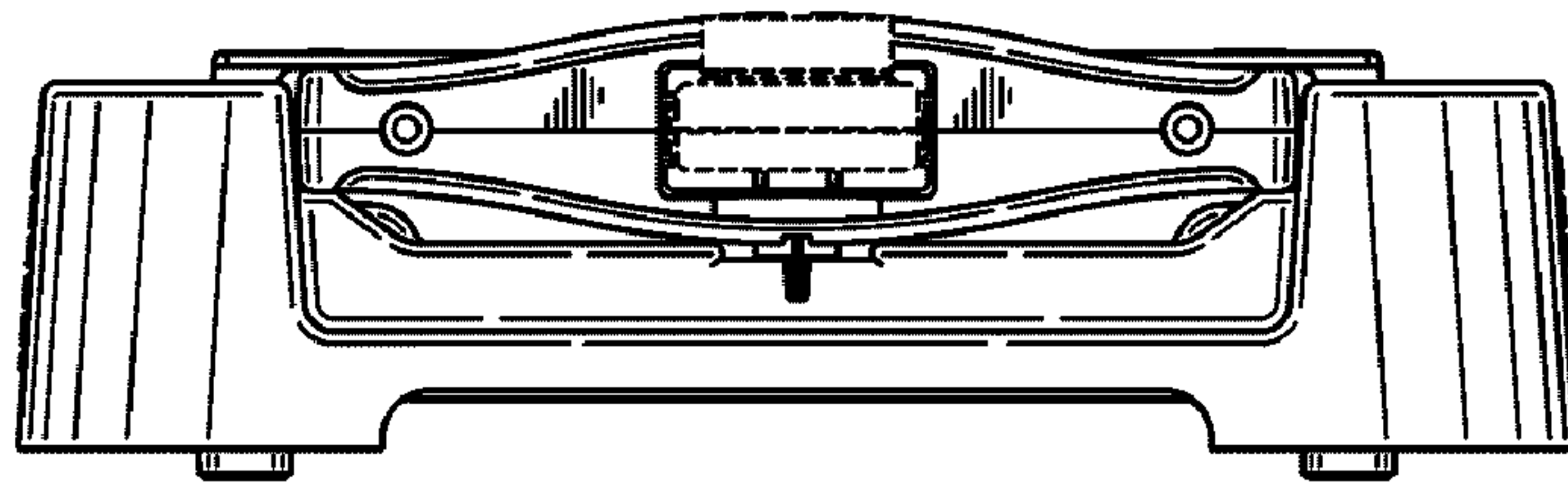


Figure 6

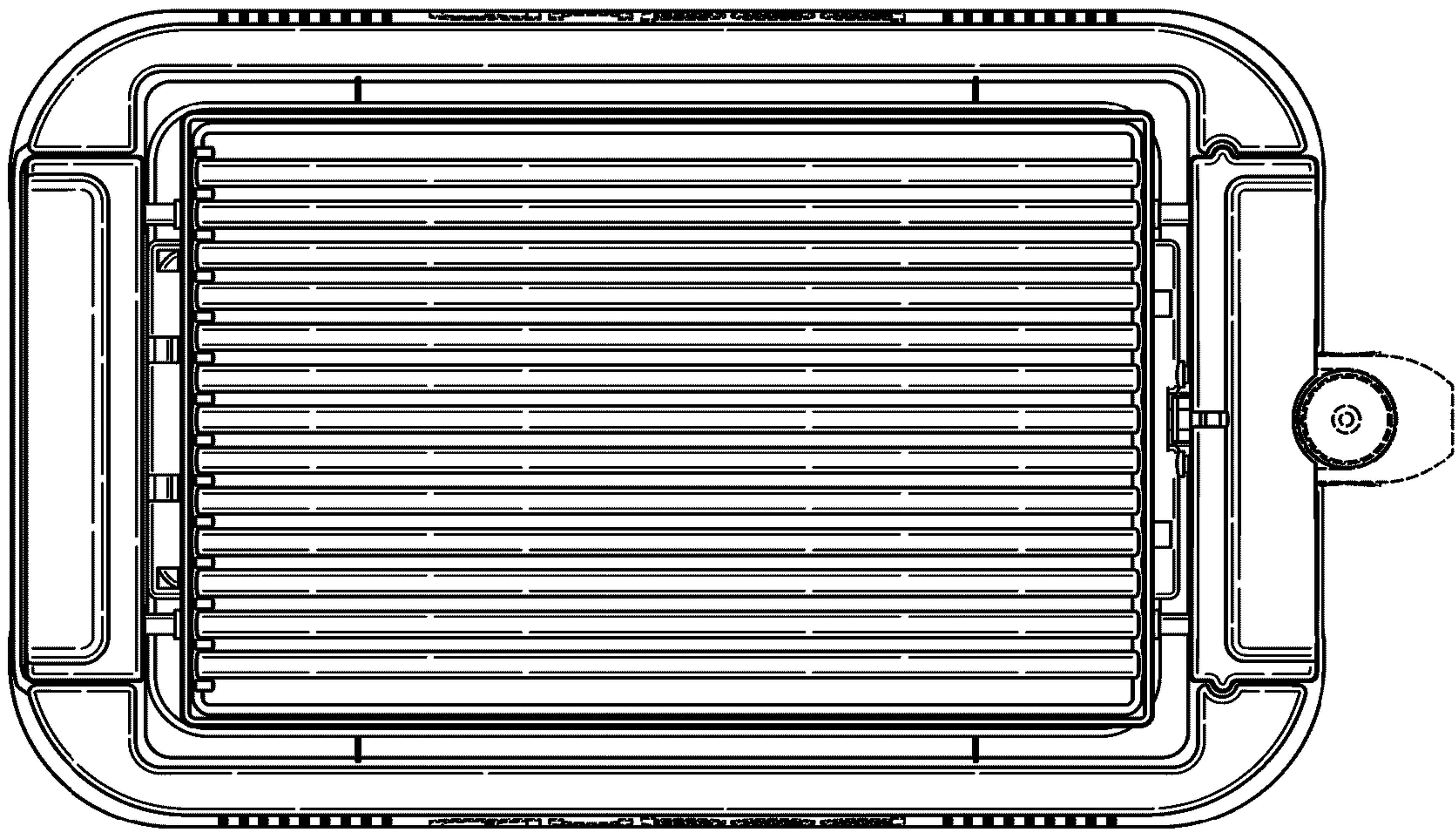


Figure 7

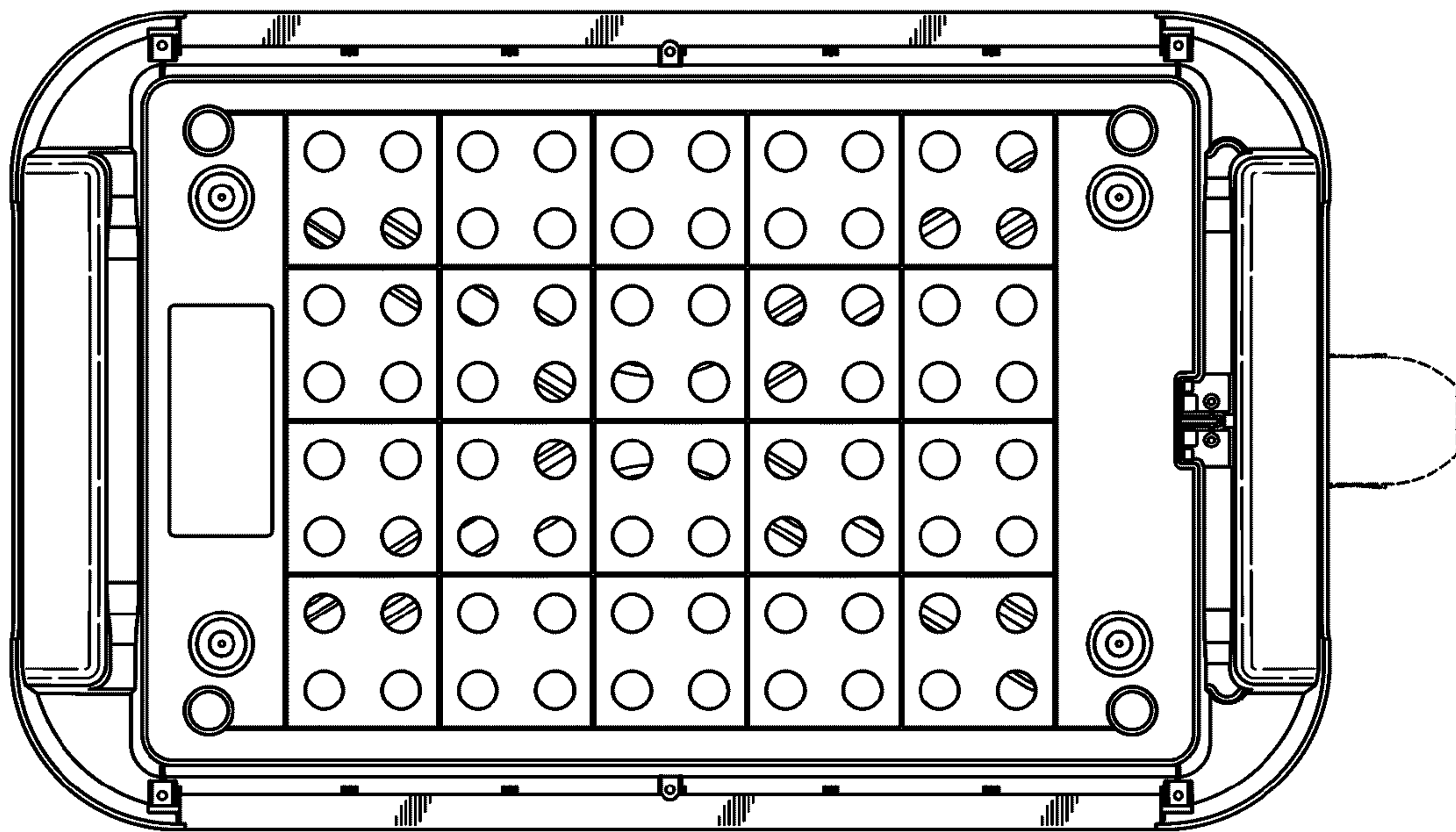


Figure 8