



US00D644053S

(12) **United States Design Patent**  
**Newcomer**

(10) **Patent No.:** **US D644,053 S**

(45) **Date of Patent:** **\*\* Aug. 30, 2011**

(54) **WALL-MOUNTED INSTRUMENT HOLDER**

(76) Inventor: **Kevin L. Newcomer**, Monroe, MI (US)

(\*\*) Term: **14 Years**

(21) Appl. No.: **29/385,811**

(22) Filed: **Feb. 21, 2011**

(51) **LOC (9) Cl.** ..... **06-04**

(52) **U.S. Cl.** ..... **D6/566**

(58) **Field of Classification Search** ..... D6/512-514,  
D6/566, 553, 567, 569, 315, 320, 327; D8/349,  
D8/354, 367, 372; 248/301-304, 309.1,  
248/309.2; 211/13.1, 30, 32, 70.6, 56.01,  
211/87.01, 181.1

See application file for complete search history.

(56) **References Cited**

**U.S. PATENT DOCUMENTS**

4,159,092	A	6/1979	DeLano	
D281,576	S	12/1985	Akers	
5,372,346	A	12/1994	Upchurch et al.	
5,553,720	A	9/1996	Dardashti	
D403,294	S *	12/1998	Baldwin et al.	D6/566
D432,316	S *	10/2000	Duggan	D6/566
6,281,417	B1	8/2001	Ladao	
D550,015	S	9/2007	Thrall	
D553,745	S *	10/2007	Park	D6/566
D579,253	S *	10/2008	Swanson	D6/566
7,547,835	B1	6/2009	Mayor	
D616,232	S *	5/2010	Guindi	D6/566

2007/0001081	A1	1/2007	Wallis
2008/0060498	A1	3/2008	Samu
2009/0213598	A1	8/2009	Terry
2009/0242499	A1	10/2009	Rosselli

**OTHER PUBLICATIONS**

www.amazon.com, String Swing Hardwood Home & Studio Guitar Hanger website page.

www.guitarcenter.com website page.

\* cited by examiner

*Primary Examiner* — Brian N Vinson

(74) *Attorney, Agent, or Firm* — Gifford, Krass, Sprinkle, Anderson & Citkowski, P.C.

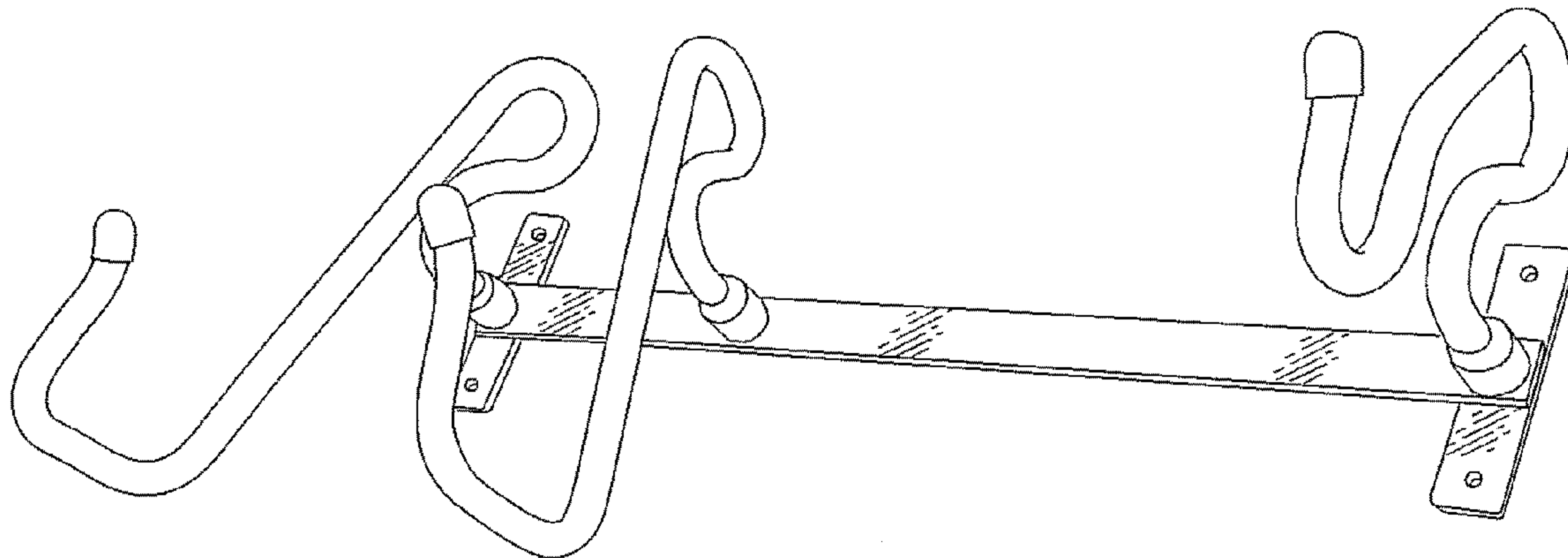
(57) **CLAIM**

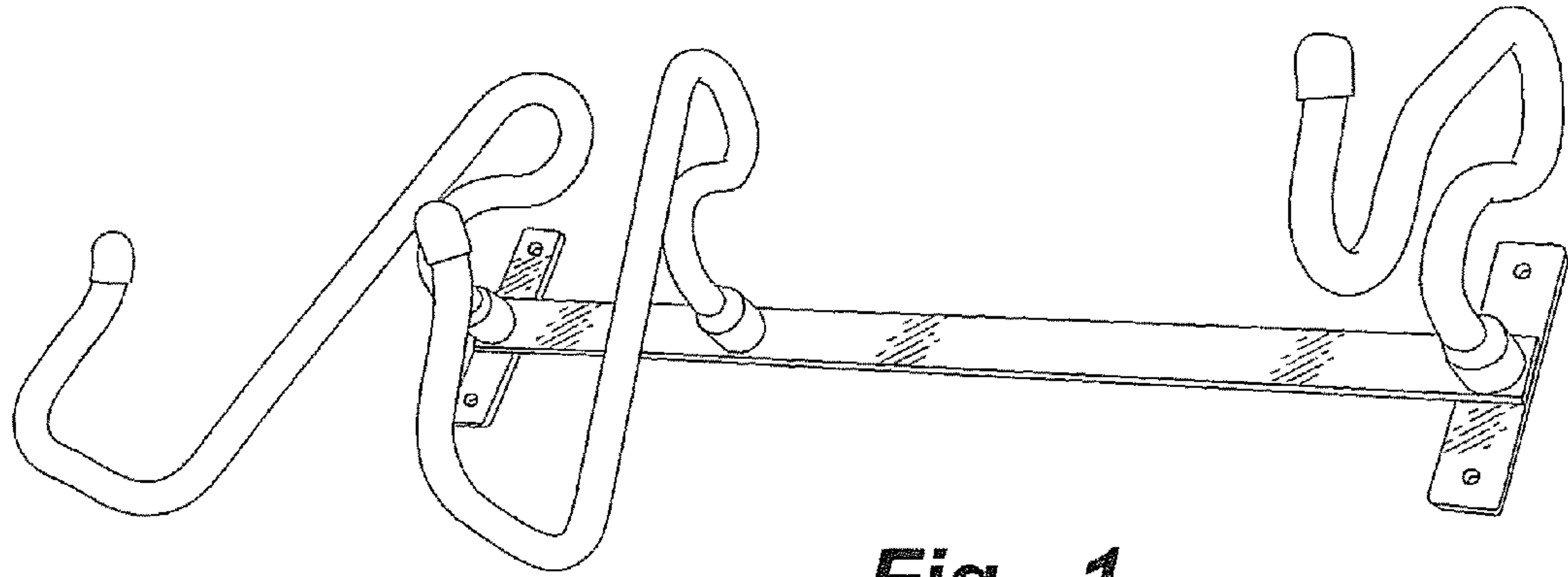
The ornamental design for wall-mounted instrument holder, as shown and described.

**DESCRIPTION**

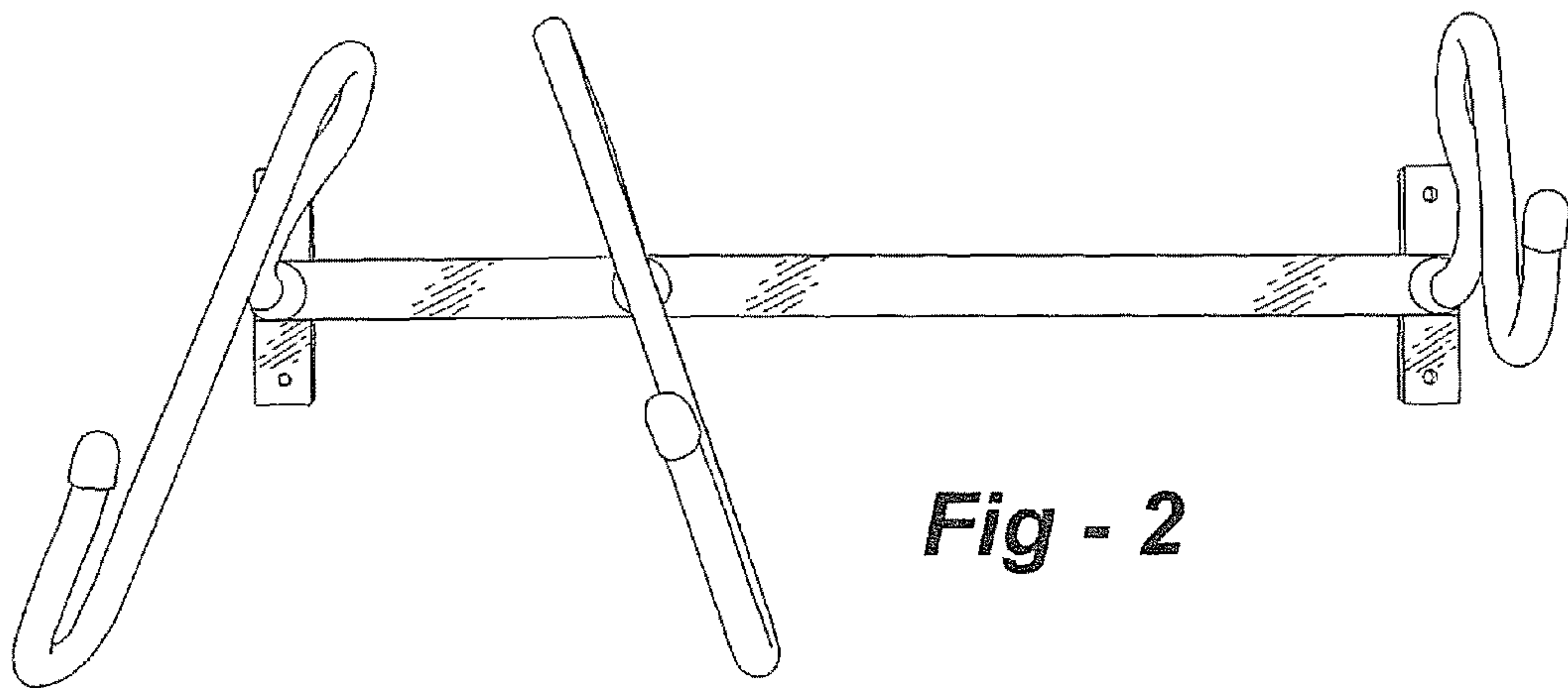
FIG. 1 is an oblique view of the present invention;  
FIG. 2 is a front view of the present invention;  
FIG. 3 is a back view of the present invention;  
FIG. 4 is a top view of the present invention;  
FIG. 5 is a bottom view of the present invention;  
FIG. 6 is a first side view of the present invention; and,  
FIG. 7 is a second side view of the present invention.

**1 Claim, 2 Drawing Sheets**

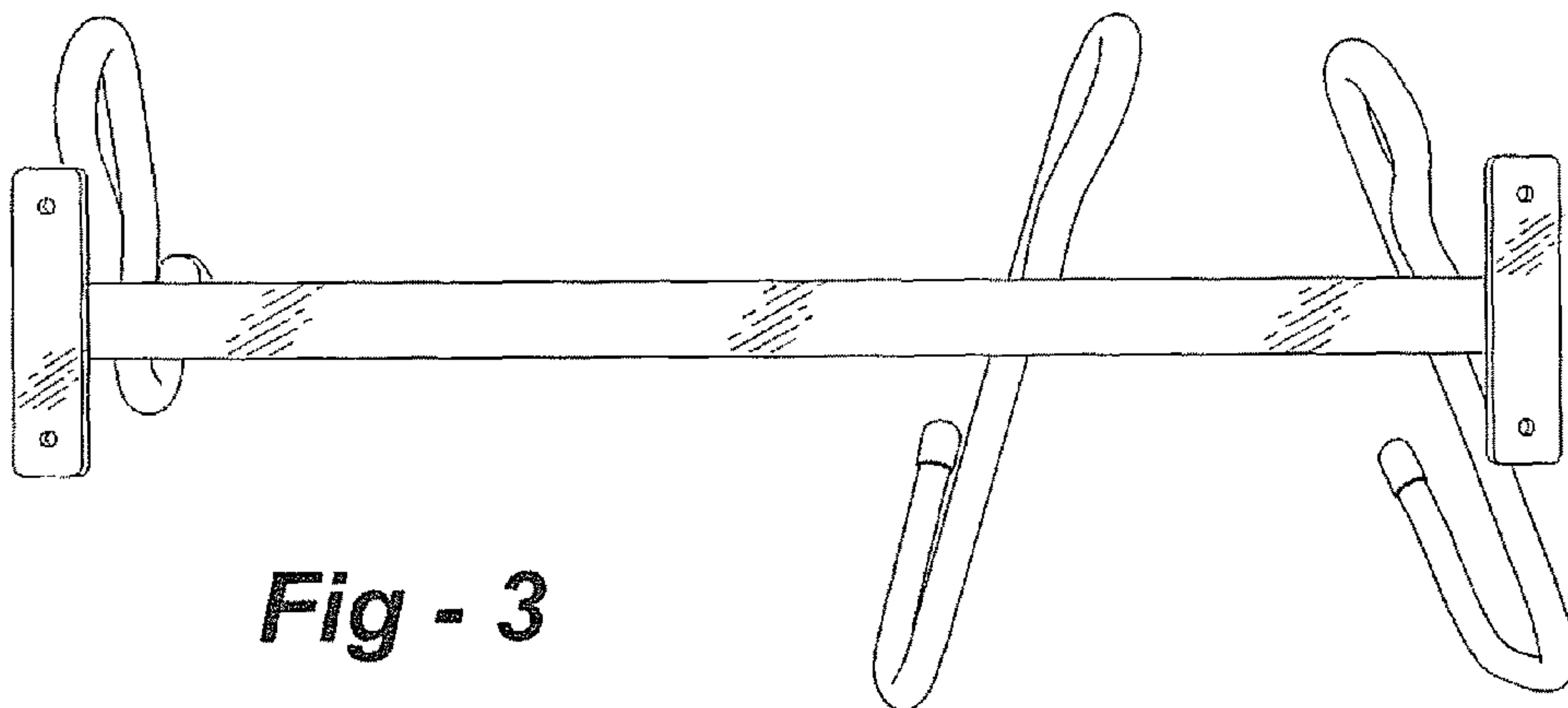




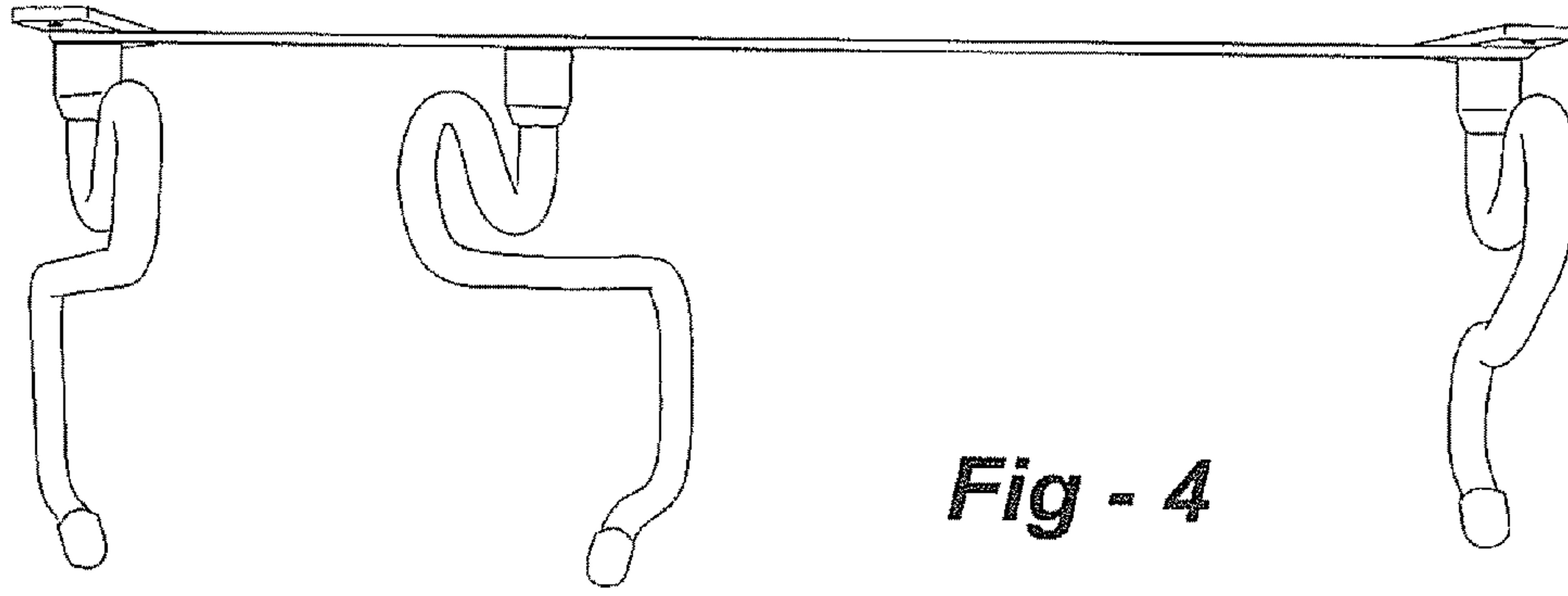
**Fig - 1**



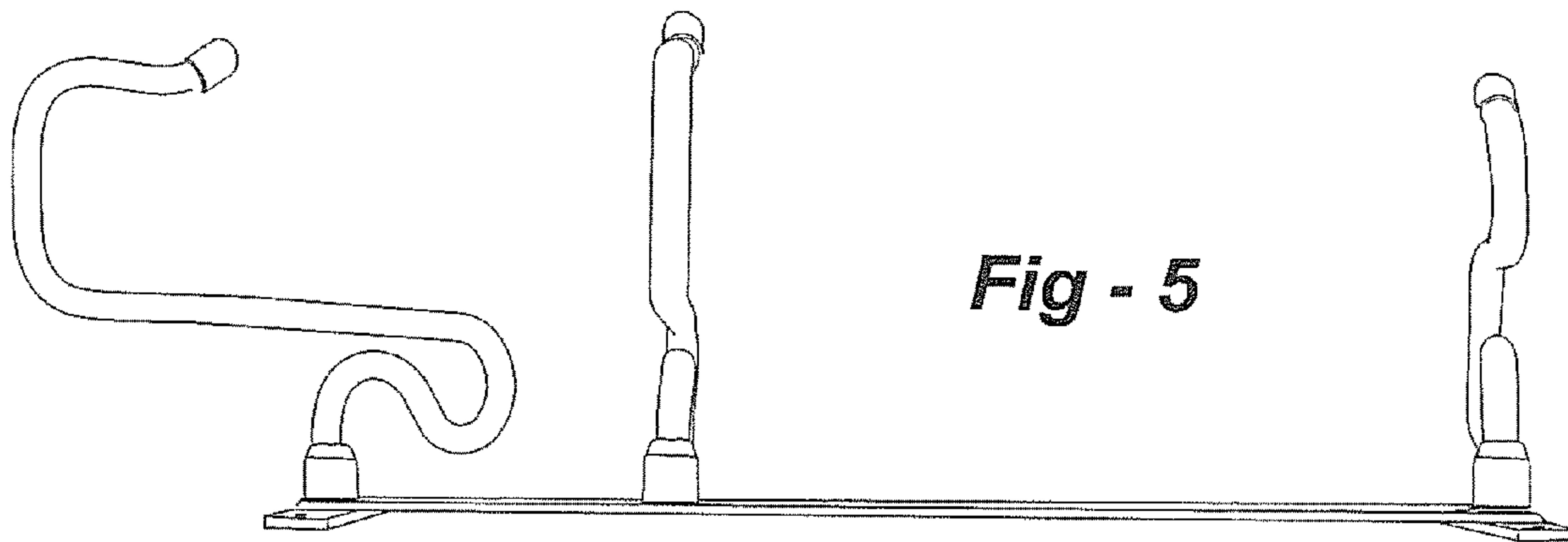
**Fig - 2**



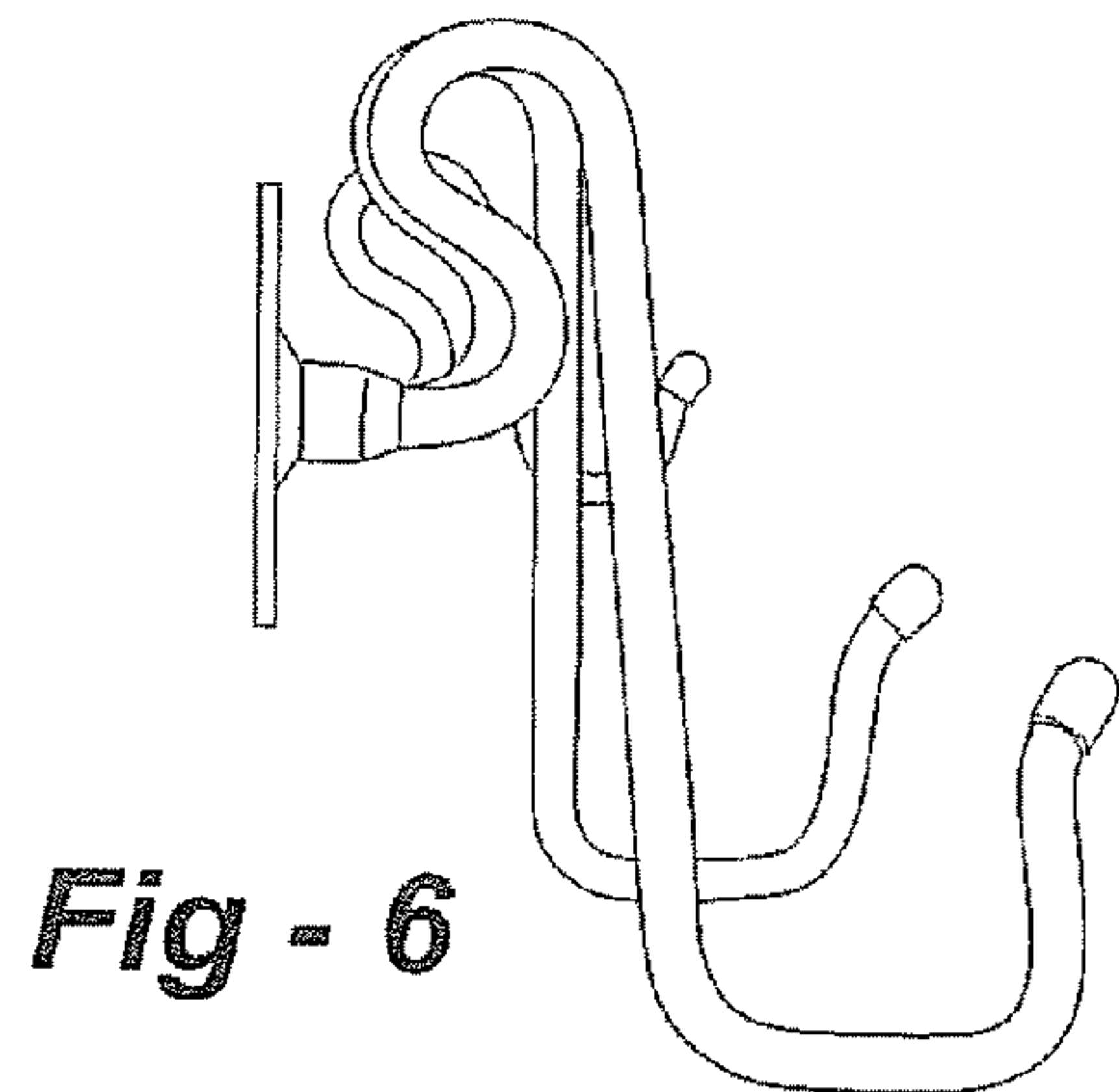
**Fig - 3**



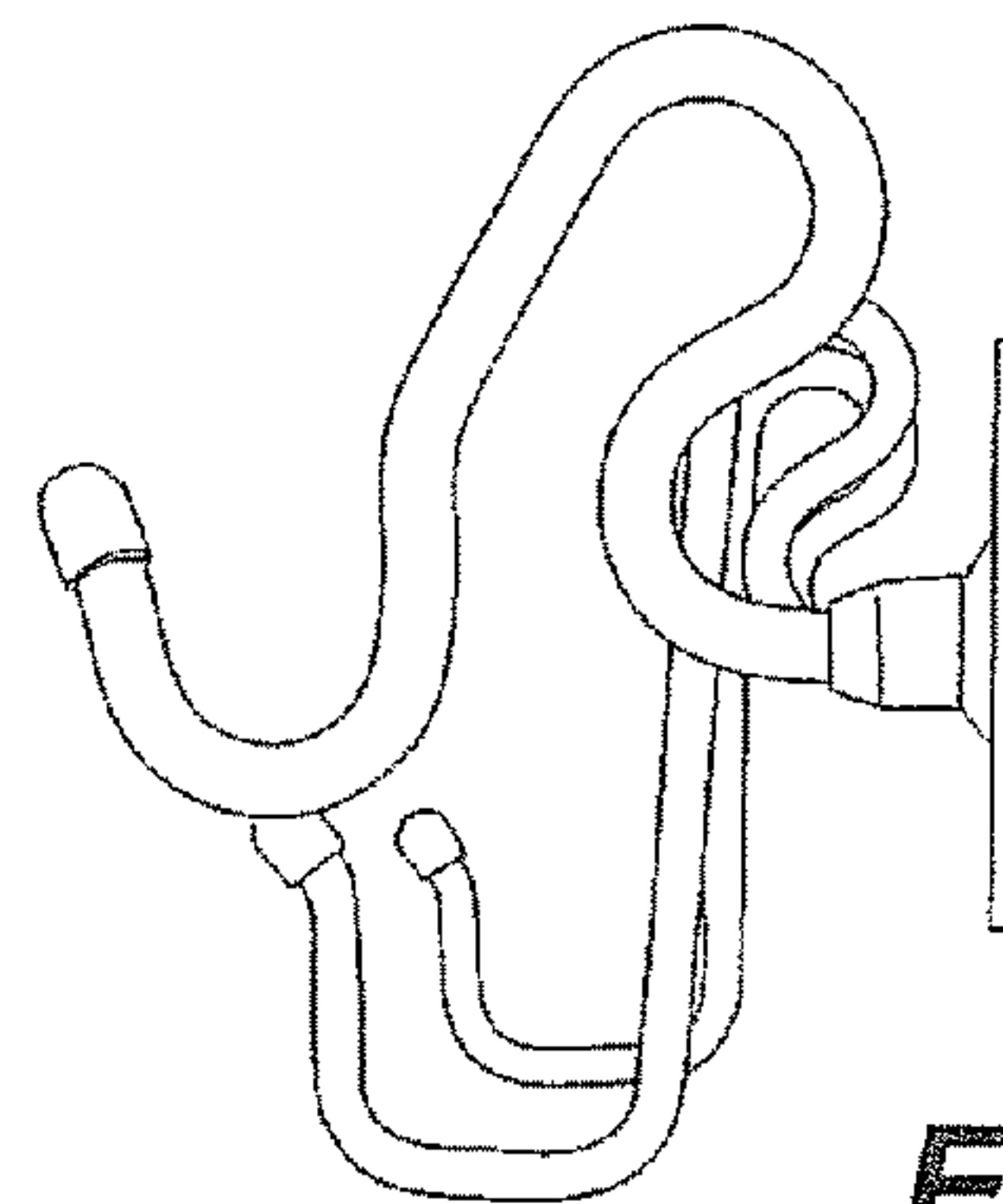
**Fig - 4**



**Fig - 5**



**Fig - 6**



**Fig - 7**