



US00D644050S

(12) **United States Design Patent**
Cittadino

(10) **Patent No.:** **US D644,050 S**

(45) **Date of Patent:** **** Aug. 30, 2011**

(54) **SHOWER CADDY**

OTHER PUBLICATIONS

(75) Inventor: **Kyle Cittadino**, Wilmington, DE (US)

Inter Design USA Over the Shower Caddy; for sale in Wal-Mart on or about Mar. 1, 2011.

(73) Assignee: **Zenith Products Corporation**, New Castle, DE (US)

http://www.google.com/imgres?imgurl=http://ecx.images-amazon.com/images/I/51bDaIESObL._SL160_.jpg&imgrefurl=http://brushednickeltowelholder.com/gold-towel-holders.php&usg=__TFb7qM5AArFEUnfhV5IjqaY4NXk=&h=160&w=160&sz=7&hl=en&start=2&zoom=1&tbnid=PTJ7Ih9U5Dy8eM:&tbnh=98&tbnw=98&ei=jxajTeDdlsrogQfP_LnaBQ&prev=/images%3Fq%3Dmetal%2Bscroll%2Bpole%2Bcaddies%26um%3D1%26hl%3Den%26client%3Dfirefox-a%26hs%3Dqgy%26sa%3DN%26rls%3Dorg.mozilla:en-US:official%

(**) Term: **14 Years**

(21) Appl. No.: **29/384,470**

<http://www.kitchensource.com/shelves/ao-ba1903.htm>; 2 pages; date unknown.

(22) Filed: **Jan. 31, 2011**

(51) **LOC (9) Cl.** **23-02**

(52) **U.S. Cl.** **D6/525**

(58) **Field of Classification Search** D6/524,
D6/525, 566, 536, 540; 211/13.1, 74, 71.01,
211/86.01, 75, 88.01, 90.01, 90.03, 106,
211/119, 126.1, 133.5, 181.1, 134
See application file for complete search history.

* cited by examiner

Primary Examiner — Brian N Vinson

(74) *Attorney, Agent, or Firm* — Panitch Schwarze Belisario & Nadel LLP

(56) **References Cited**

(57) **CLAIM**

The ornamental design for a shower caddy, as shown and described.

U.S. PATENT DOCUMENTS

DESCRIPTION

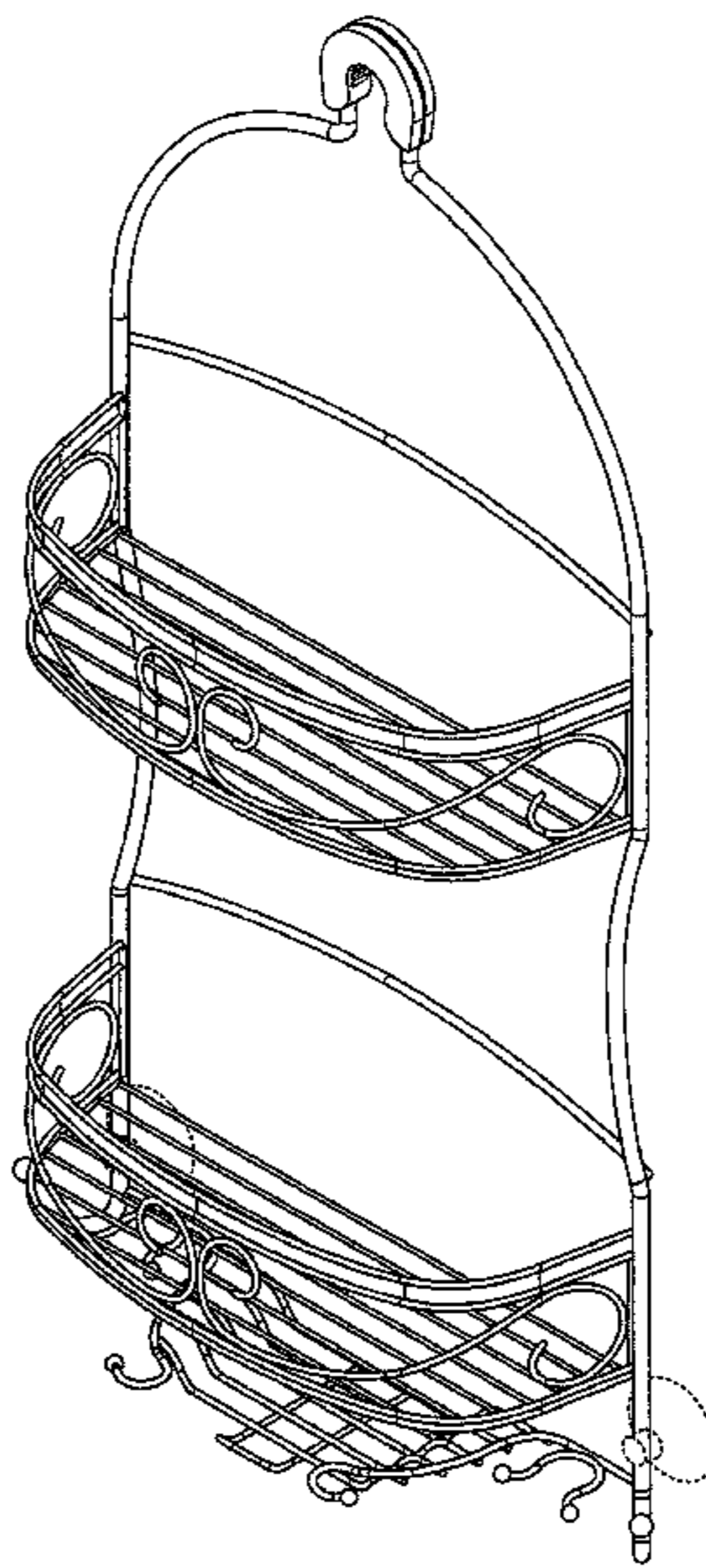
D408,185 S	4/1999	Hofman	
D409,424 S	5/1999	Hofman et al.	
D415,916 S	11/1999	Hofman et al.	
D472,750 S	4/2003	Clucas	
D473,084 S	4/2003	Suero, Jr.	
D473,411 S	4/2003	Walker	
D485,464 S	1/2004	Clucas	
D501,106 S	1/2005	Suero, Jr.	
D513,373 S	1/2006	Harwanko	
D562,608 S	2/2008	Kramer	
D562,609 S	2/2008	Kramer	
D566,439 S *	4/2008	Dretzka	D6/525
D568,656 S	5/2008	Kramer	
D569,149 S	5/2008	Walker	
D569,668 S	5/2008	Kramer	
D572,061 S *	7/2008	Snider	D6/525
D575,087 S *	8/2008	Ghiorghie	D6/525
D603,198 S *	11/2009	Guindi	D6/525
D615,333 S *	5/2010	Snell	D6/525

FIG. 1 is a front perspective view of a shower caddy in accordance with my new design;
FIG. 2 is a front elevational view thereof;
FIG. 3 is a right side elevational view thereof;
FIG. 4 is a left side elevational view thereof;
FIG. 5 is a top plan view thereof; and,
FIG. 6 is a bottom view thereof.

The broken lines in the figures are for illustrative purposes only and form no part of the claimed design.

The rear elevational view of the shower caddy is not shown in the drawings or described in the specification and, therefore, forms no part of the claimed design.

1 Claim, 4 Drawing Sheets



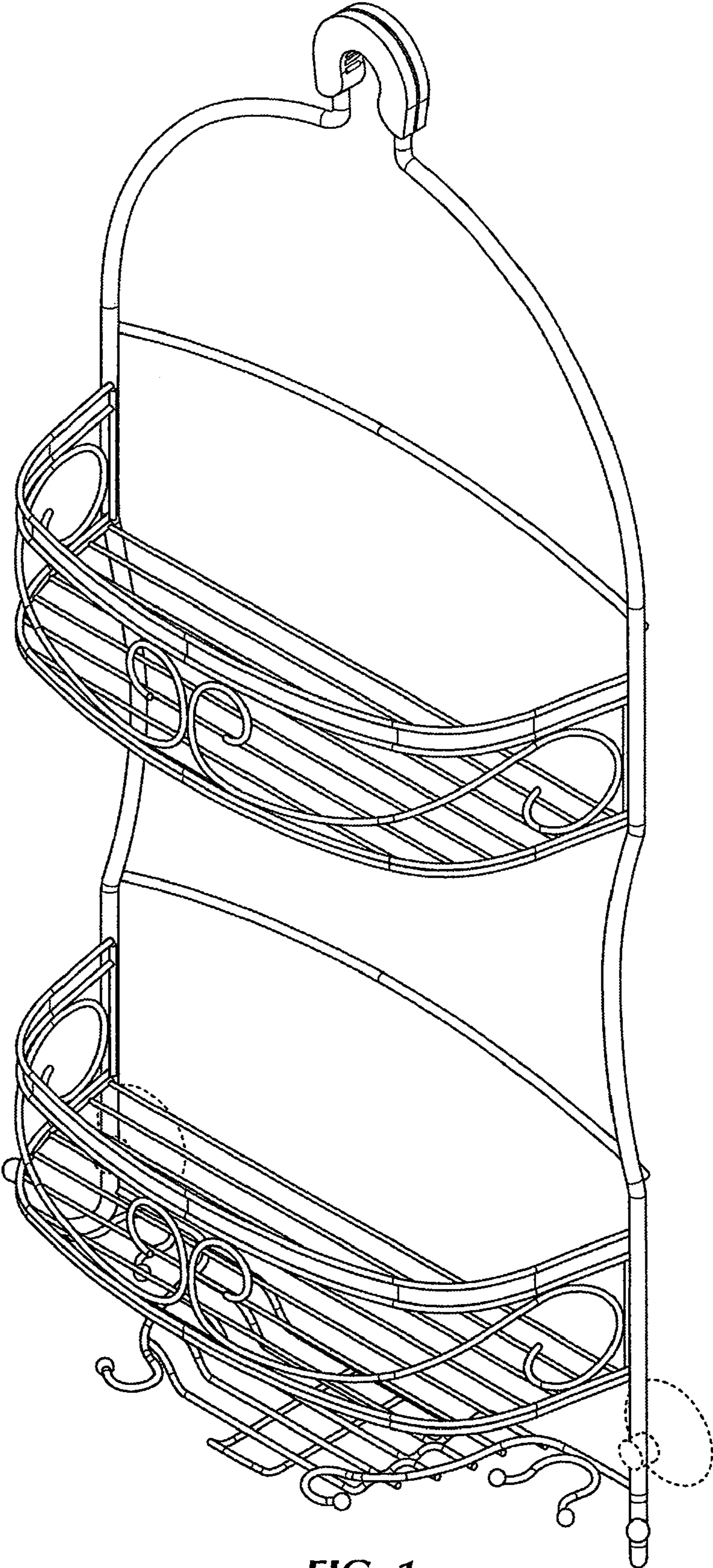


FIG. 1

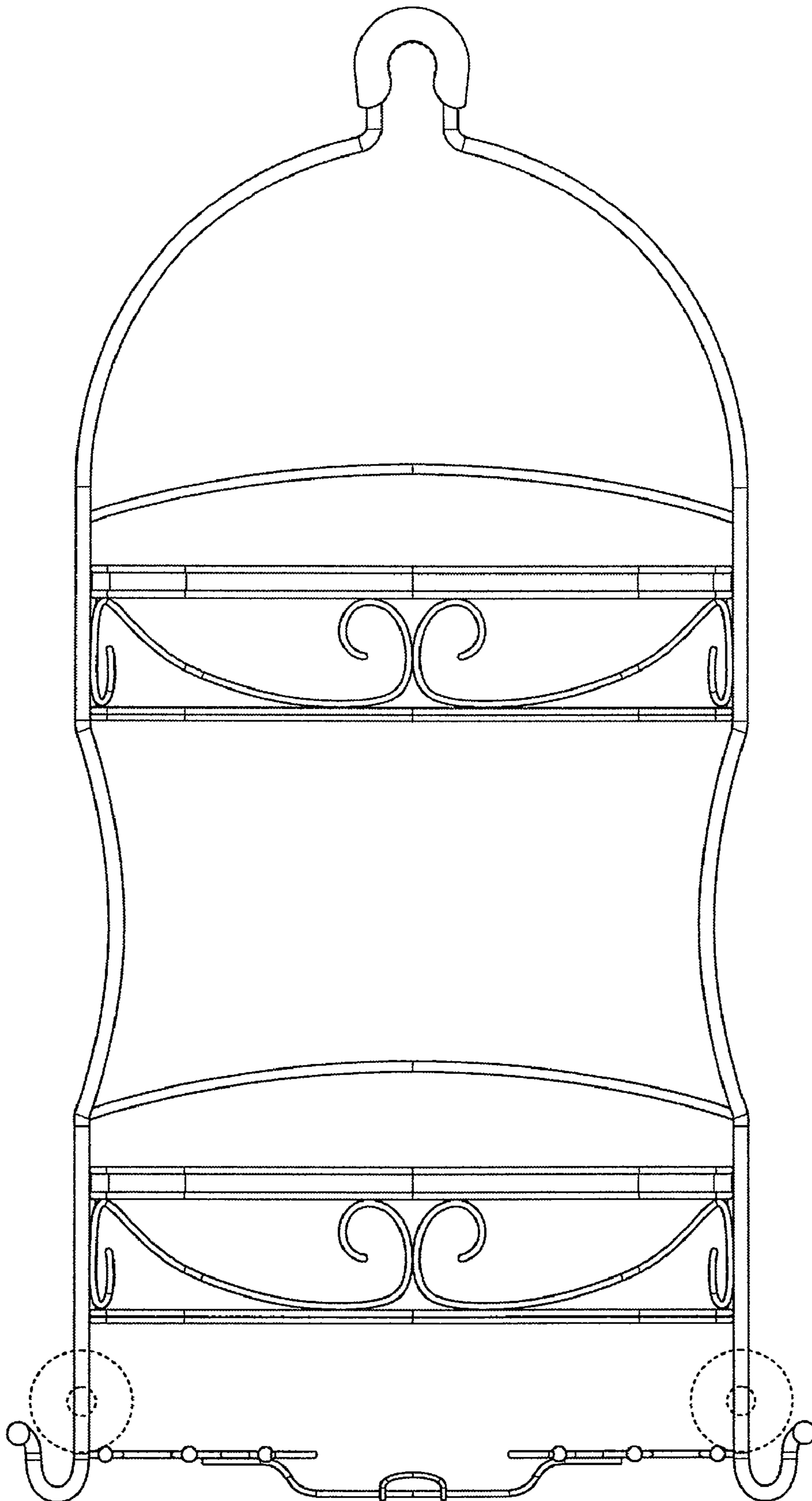


FIG. 2

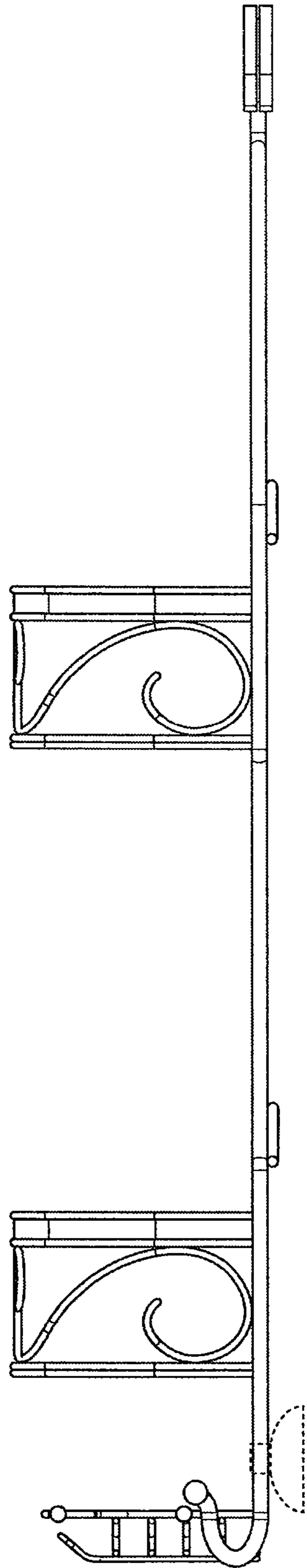


FIG. 3

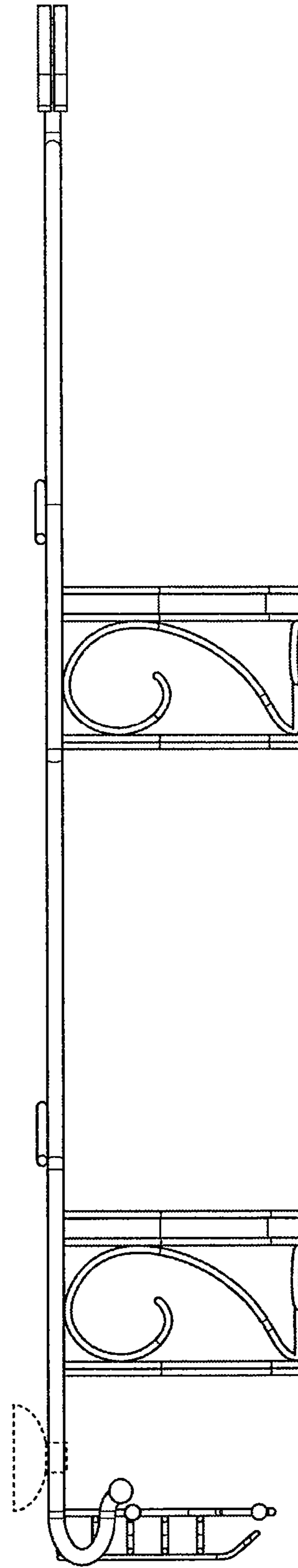


FIG. 4

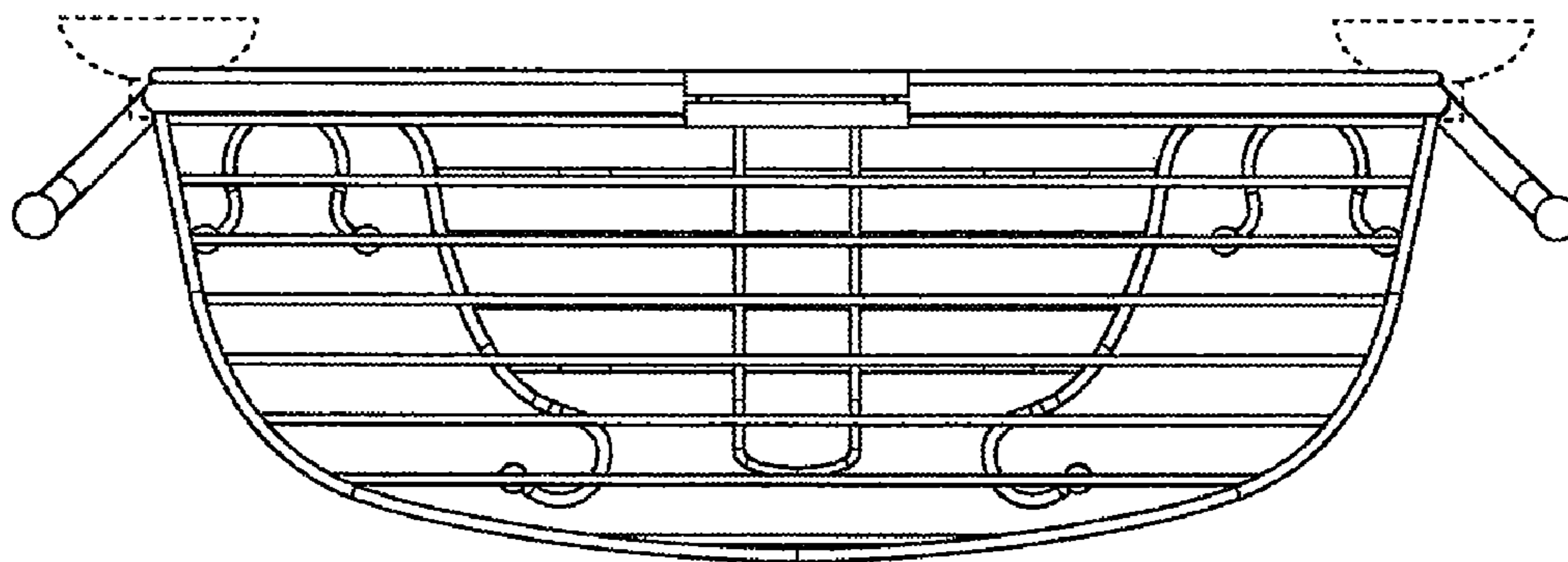


FIG. 5

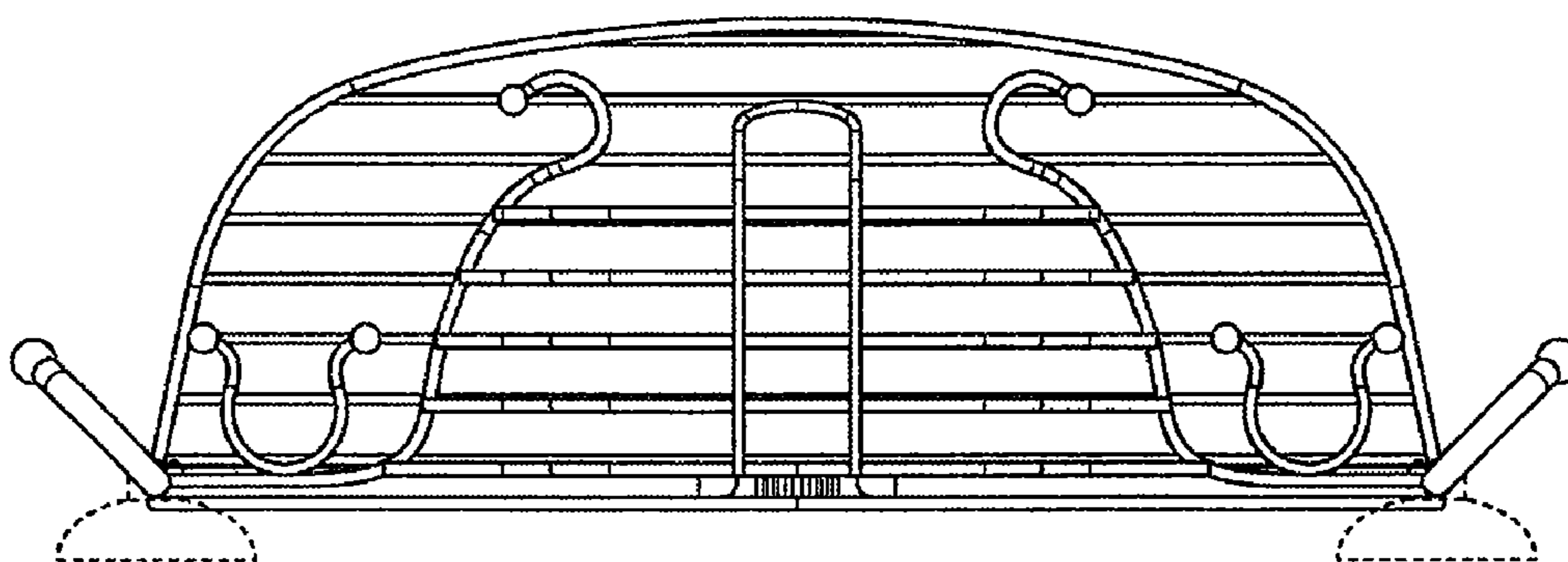


FIG. 6