



US00D644049S

(12) **United States Design Patent**
Warren

(10) **Patent No.:** **US D644,049 S**

(45) **Date of Patent:** **** Aug. 30, 2011**

(54) **HEADBOARD HAVING COMPARTMENTS FOR FLEX LIGHTS**

(75) Inventor: **Michael D. Warren**, Grand Rapids, MI (US)

(73) Assignee: **Universal Furniture International, Inc.**, High Point, NC (US)

(**) Term: **14 Years**

(21) Appl. No.: **29/359,777**

(22) Filed: **Apr. 15, 2010**

(51) **LOC (9) Cl.** **06-06**

(52) **U.S. Cl.** **D6/503; D6/505**

(58) **Field of Classification Search** D6/382, D6/383, 388, 393-395, 505-508, 503, 495; 5/53.1, 907, 279.1, 280, 281, 931, 905; D25/38, D25/43; D9/420; D26/51; 362/130, 127, 362/801

See application file for complete search history.

(56) **References Cited**

U.S. PATENT DOCUMENTS

| | | | | |
|--------------|------|--------|--------------|---------|
| 1,298,362 | A * | 3/1919 | Lewry | 362/130 |
| 1,341,899 | A * | 6/1920 | Gernsbacher | 5/658 |
| 1,991,111 | A * | 2/1935 | Murrell | 362/130 |
| D418,701 | S * | 1/2000 | Wanek et al. | D6/505 |
| 6,595,654 | B2 * | 7/2003 | Washburn | 362/130 |
| 2008/0101058 | A1 * | 5/2008 | Smith | 362/130 |

* cited by examiner

Primary Examiner — Janice Seeger

(74) *Attorney, Agent, or Firm* — MacCord Mason PLLC

(57) **CLAIM**

The ornamental design for a headboard having compartments for flex lights, as shown and described.

DESCRIPTION

FIG. 1 is a front perspective view of a headboard having compartments for flex lights according to my new design. In FIG. 1, the headboard is shown attached to a bed frame, with the compartments in a closed configuration.

FIG. 2 is a front view of the headboard, with compartments also shown in a closed configuration.

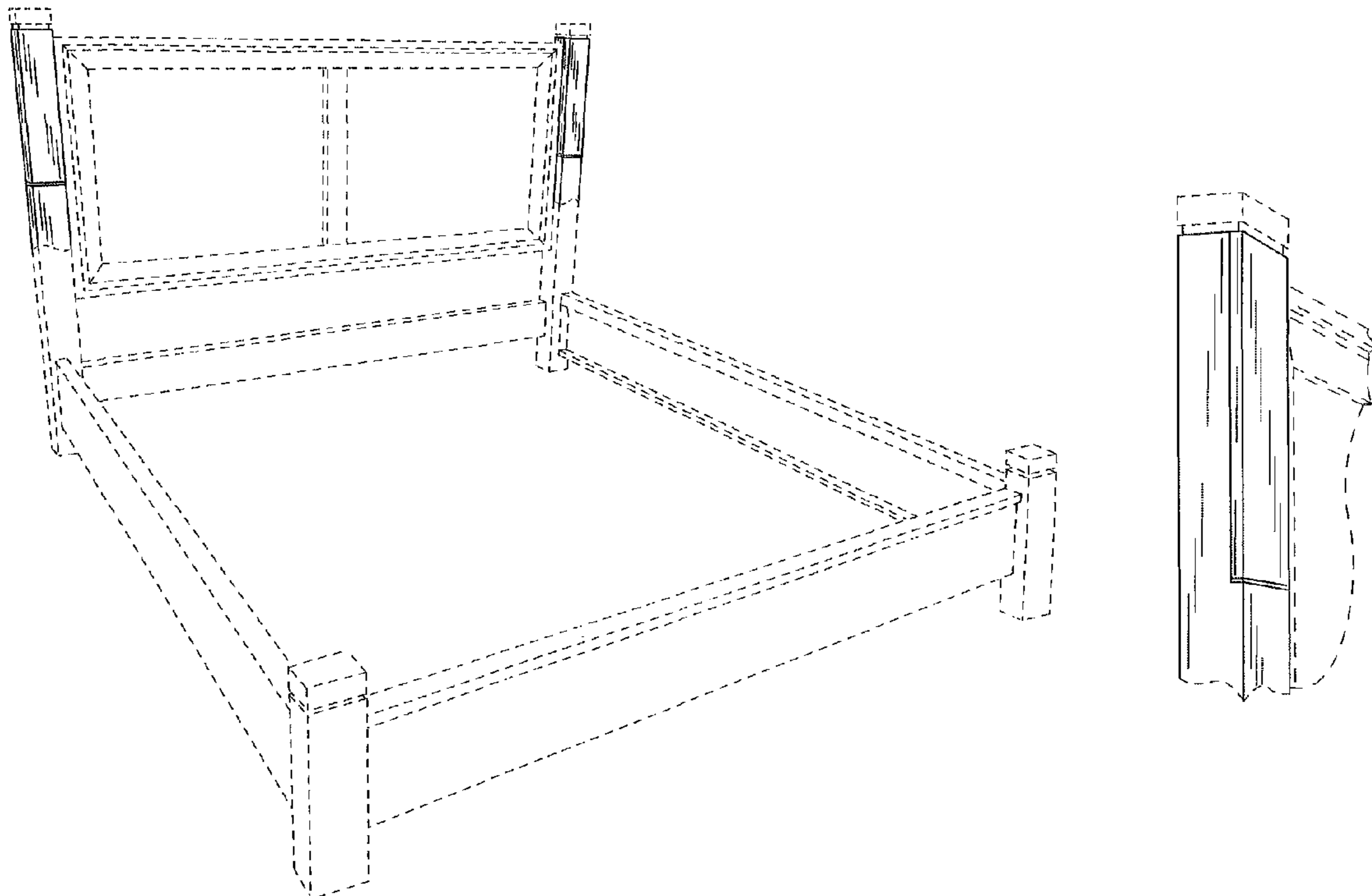
FIG. 3 is a front view of the headboard with the left compartment shown in an open configuration. A flex light is visible inside the compartment. The compartment on the right side, when in its open configuration, is a mirror image of the left side compartment.

FIG. 4 is a close-up, side perspective view of the left side compartment shown in a closed configuration. The compartment on the right side, when in its closed configuration, is a mirror image of the left side compartment; and,

FIG. 5 is a close-up, front perspective view of the left side compartment shown in an open configuration. The compartment on the right side, when in its open configuration, is a mirror image of the left side compartment. The flex light depicted in FIG. 3 is not shown to facilitate viewing.

The dotted lines in the figures depict environmental elements and form no part of the claimed design.

1 Claim, 2 Drawing Sheets



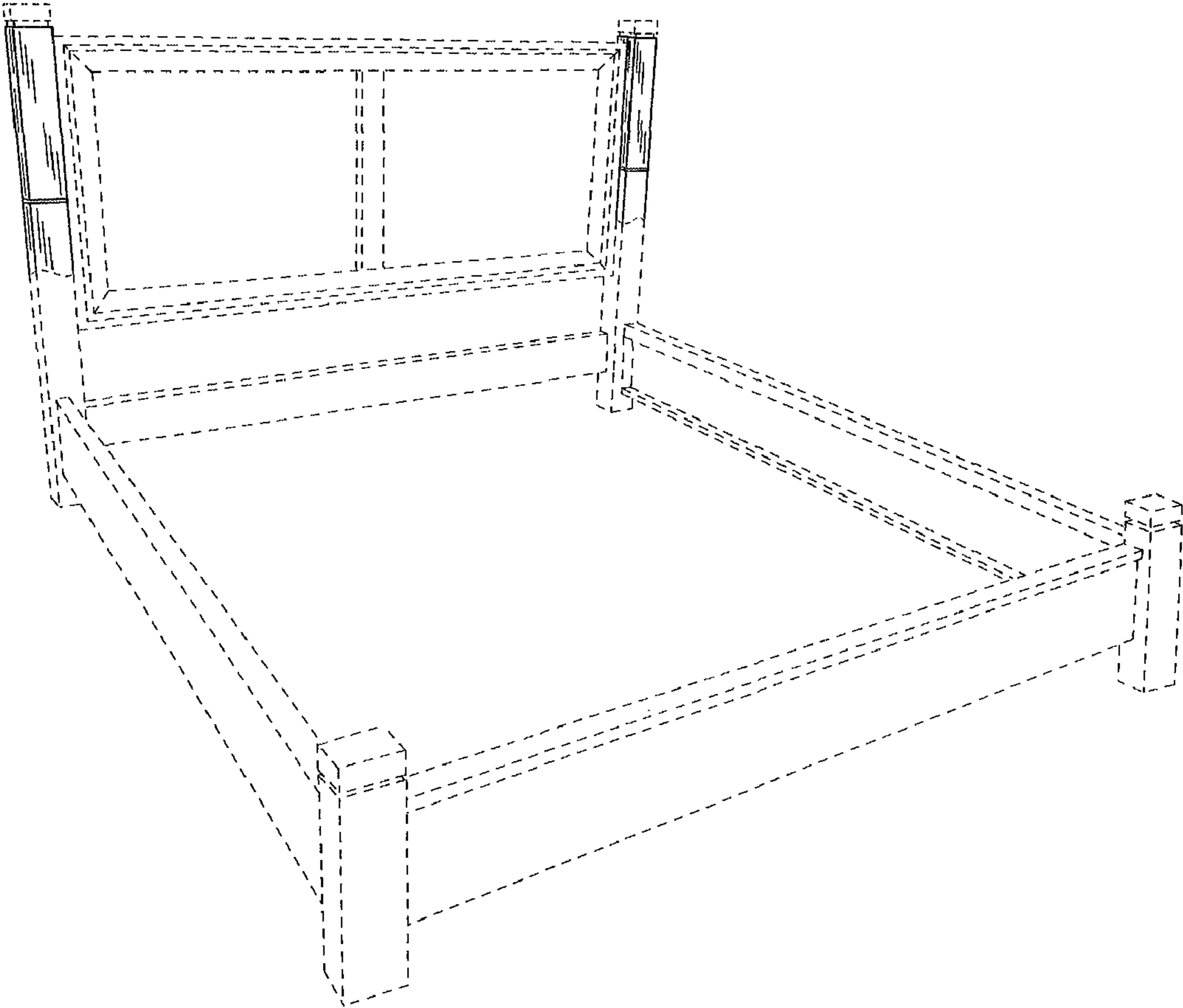


FIG. 1

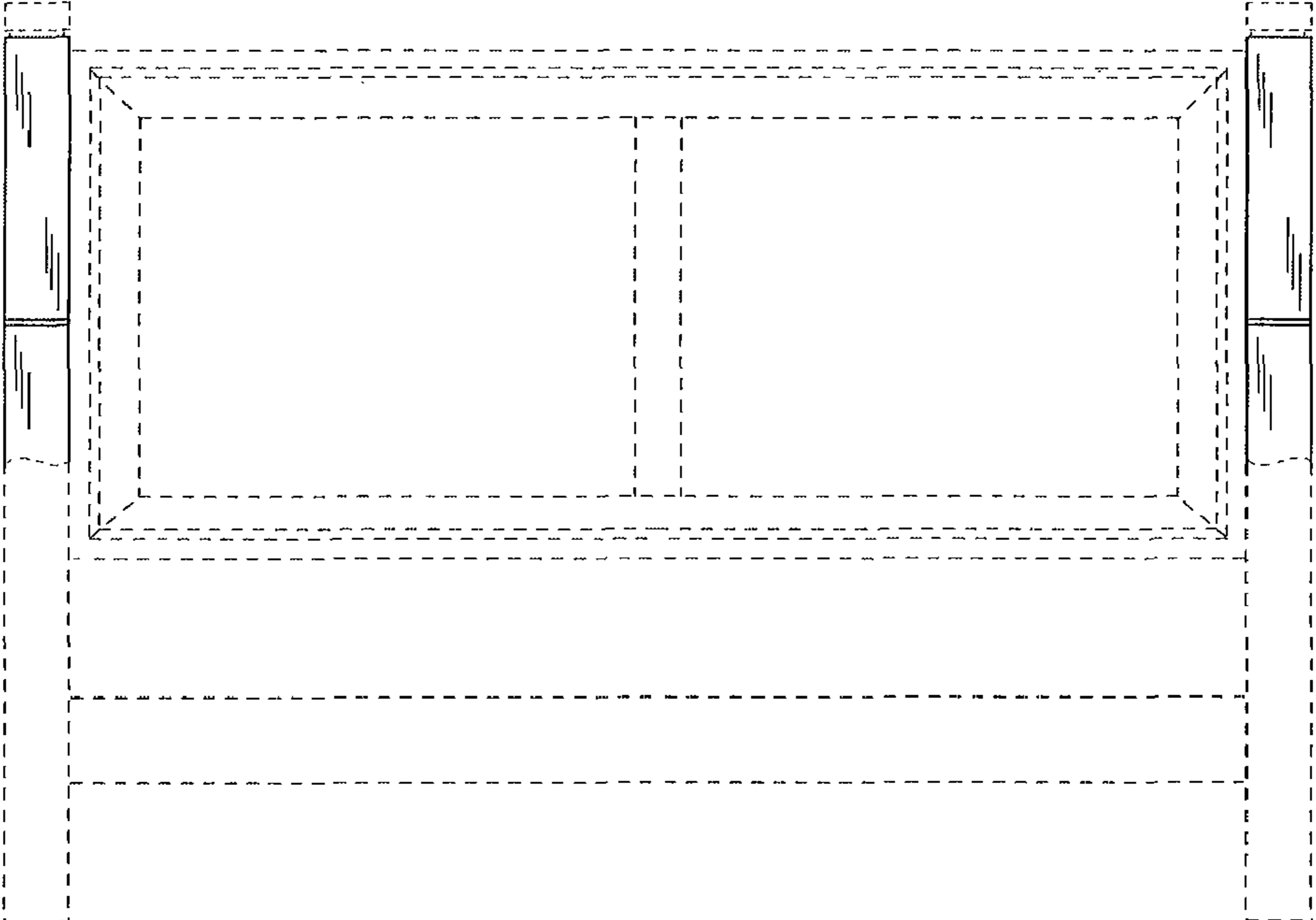


FIG. 2

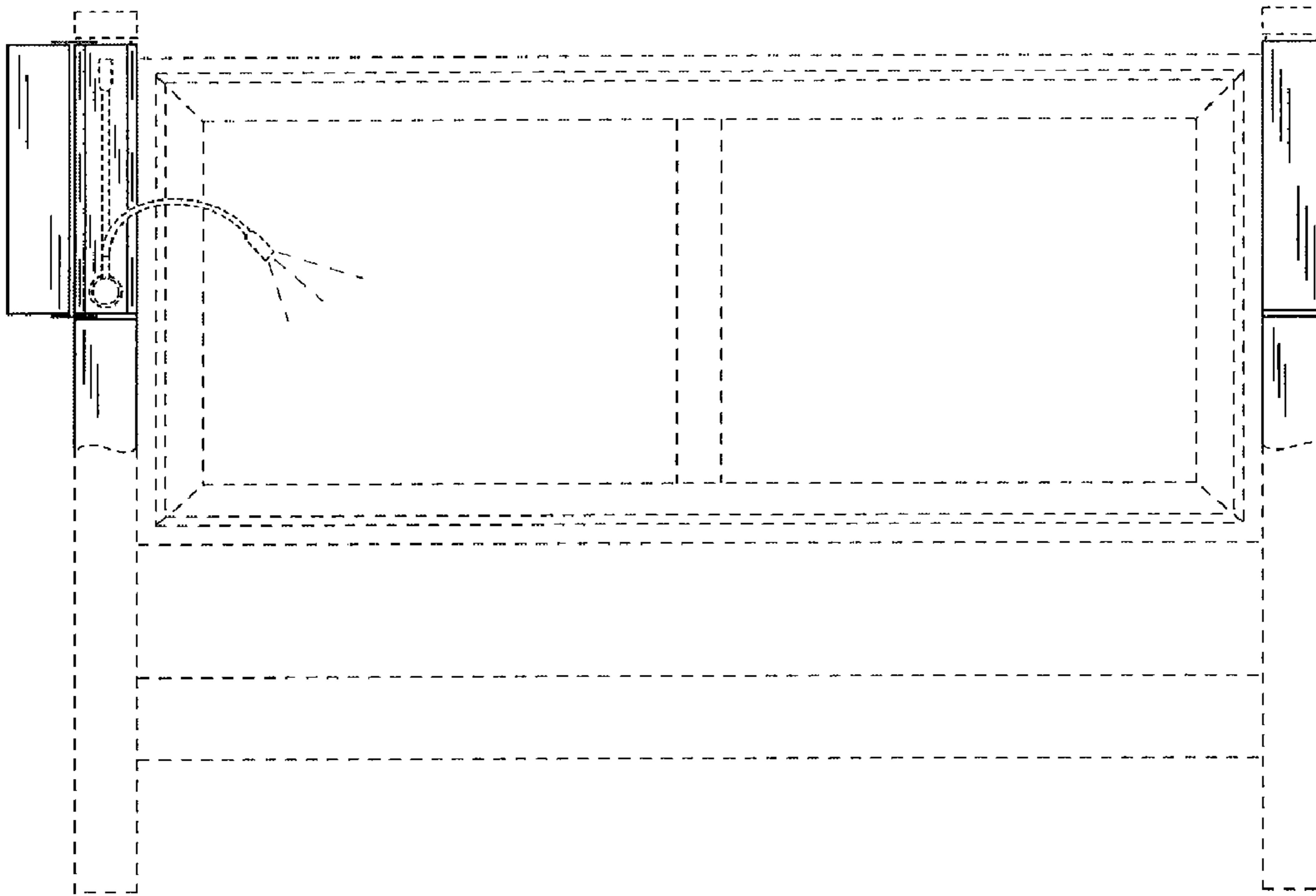


FIG. 3

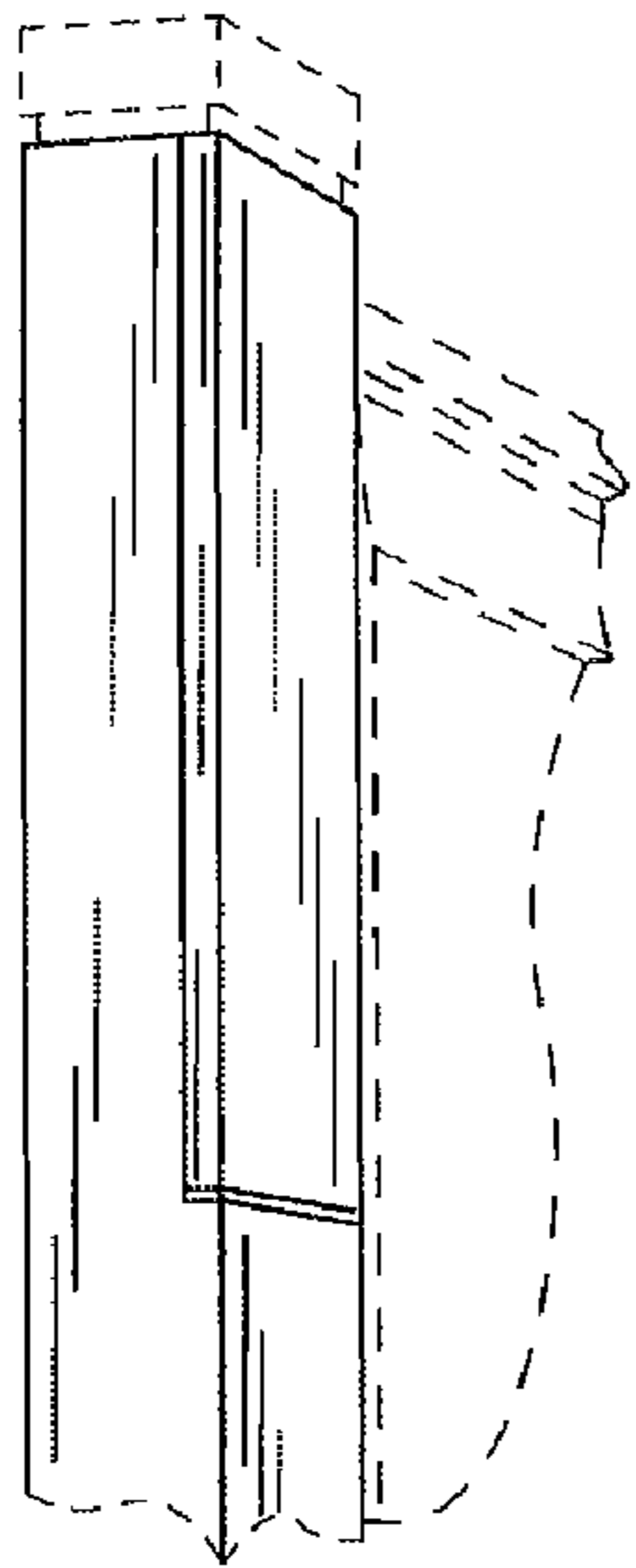


FIG. 4

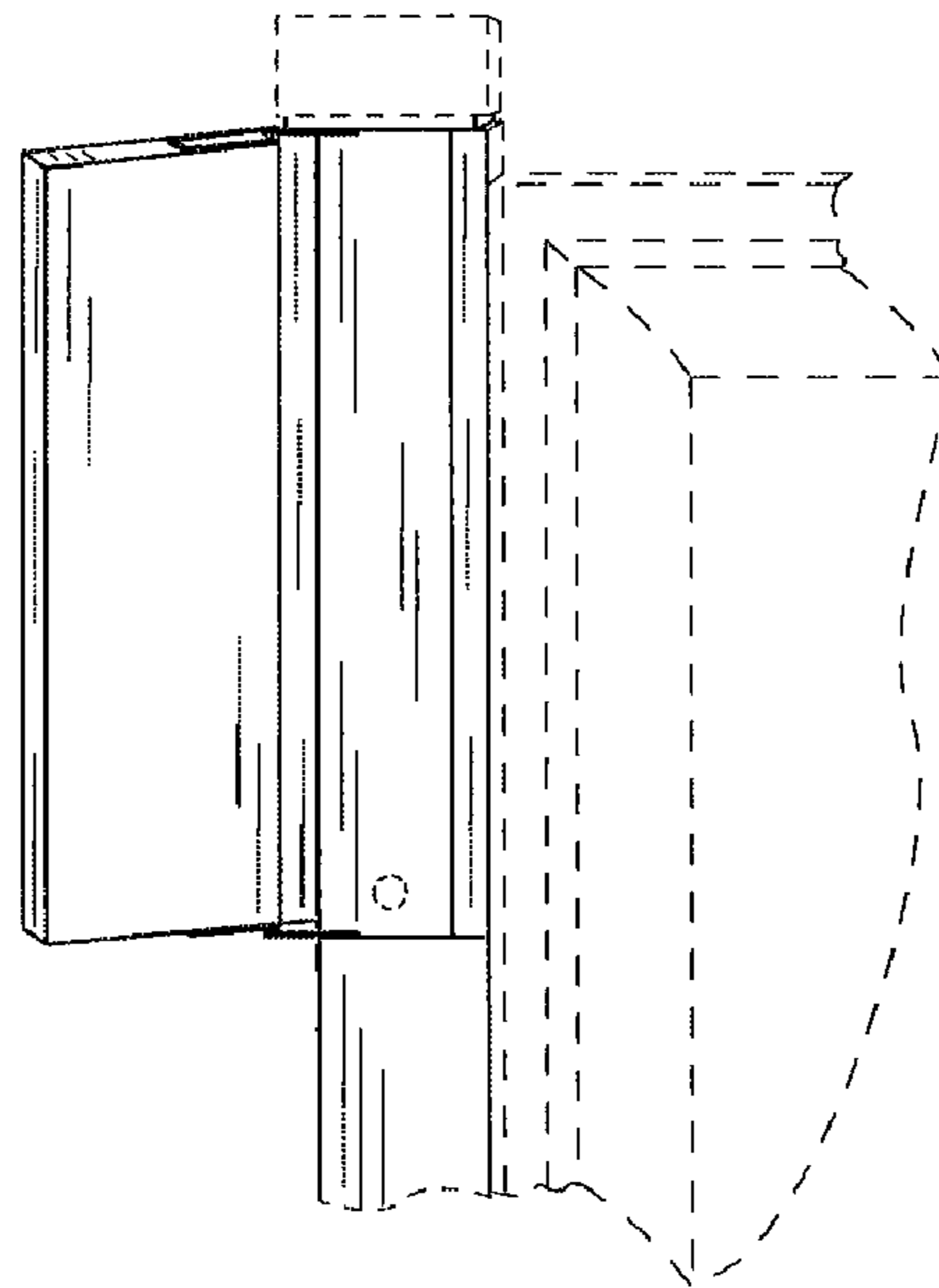


FIG. 5