



US00D644046S

(12) **United States Design Patent**
Cronk

(10) **Patent No.:** **US D644,046 S**

(45) **Date of Patent:** **** Aug. 30, 2011**

(54) **TABLE BASE SET**

DESCRIPTION

(76) Inventor: **Jeffrey Paul Cronk**, Tulsa, OK (US)

(**) Term: **14 Years**

(21) Appl. No.: **29/349,458**

(22) Filed: **Apr. 5, 2010**

(51) **LOC (9) Cl.** **06-06**

(52) **U.S. Cl.** **D6/495**

(58) **Field of Classification Search** D6/480-489,
D6/429-431, 495-499; 108/150, 153.1,
108/155, 156, 161, 144.11, 146, 147, 147.19,
108/147.21; 248/188, 188.1, 188.7, 188.8

See application file for complete search history.

(56) **References Cited**

U.S. PATENT DOCUMENTS

D189,753 S *	2/1961	Clark	D6/475
3,273,842 A *	9/1966	McMahan, Jr.	248/188.7
D337,675 S *	7/1993	Koguma	D6/484
D399,682 S *	10/1998	Lepper et al.	D6/484
D435,370 S *	12/2000	Gutgsell	D6/498

* cited by examiner

Primary Examiner — Janice Seeger

(57) **CLAIM**

The ornamental design for a table base set, as shown.

FIG. 1 is a front view of the table base set, the rear view is a mirror image of the front.

FIG. 2 is a left side view of the table base set, the right side is a mirror image of the left.

FIG. 3 is a top view of the table base set. View illustrates use of two (2) table base set units, comprising a set, to support a table top.

FIG. 4 is a bottom view of the table base set. View illustrates use of two (2) table base set units, comprising a set, to support a table top.

FIG. 5 is a section view of the vertical leg element, taken from FIG. 1, illustrating the custom shape and fluted detail of the leg.

FIG. 6 is an isometric view of the custom vertical leg element.

FIG. 7 is a front perspective view of the table base set.

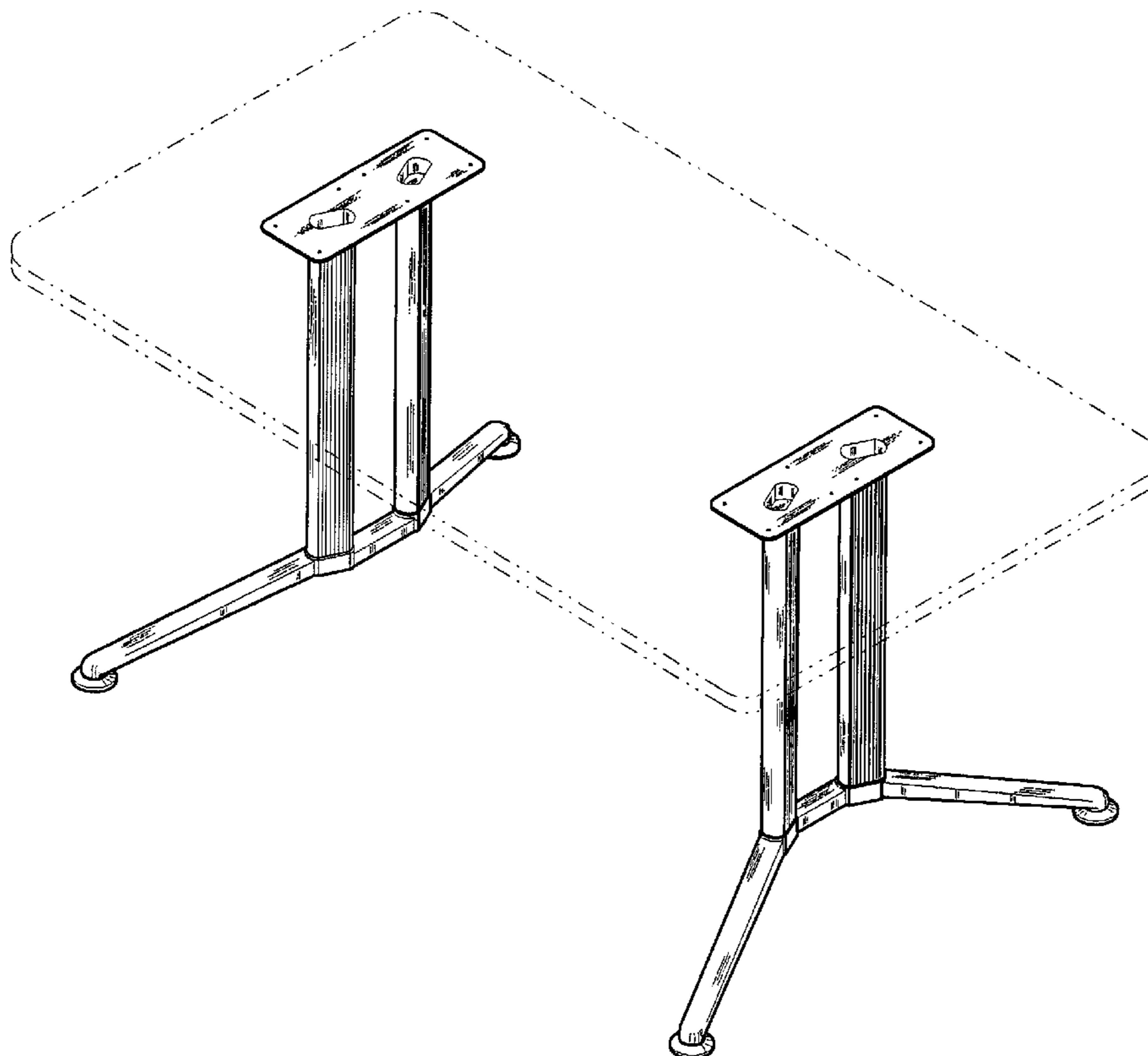
FIG. 8 is an enlarged front perspective detail view of the table base set, referenced from FIG. 7.

FIG. 9 is an enlarged front perspective detail view of the table base set, taken from FIG. 8, illustrating the shape and detailing of the custom leg elements; and,

FIG. 10 is an enlarged detail view of the end of the table base set, taken from FIG. 8, illustrating the shape of the custom horizontal leg and foot pad.

The broken lines are for environmental purposes only and form no part of the claimed design.

1 Claim, 9 Drawing Sheets



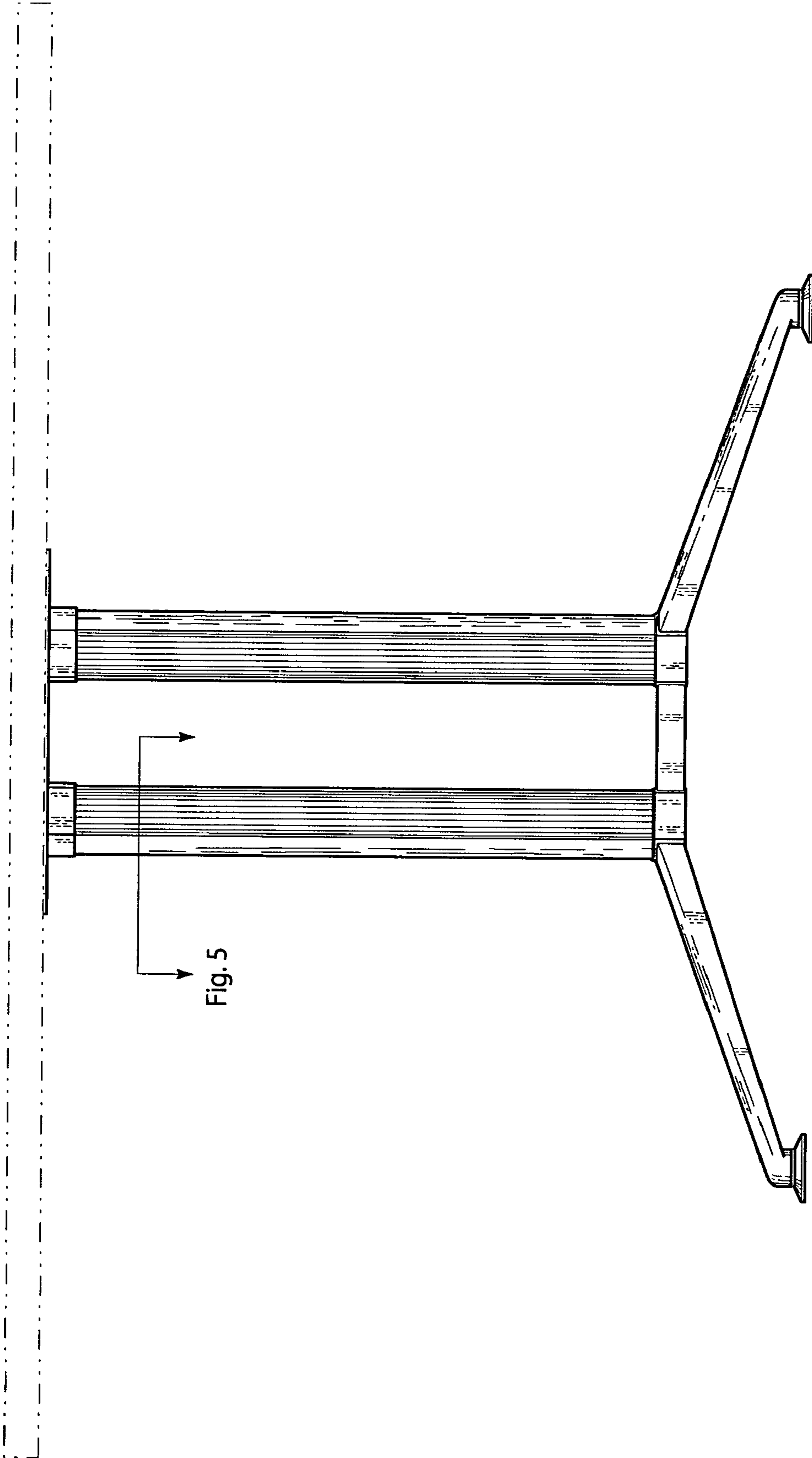


Fig. 1

Fig. 5



Fig. 2

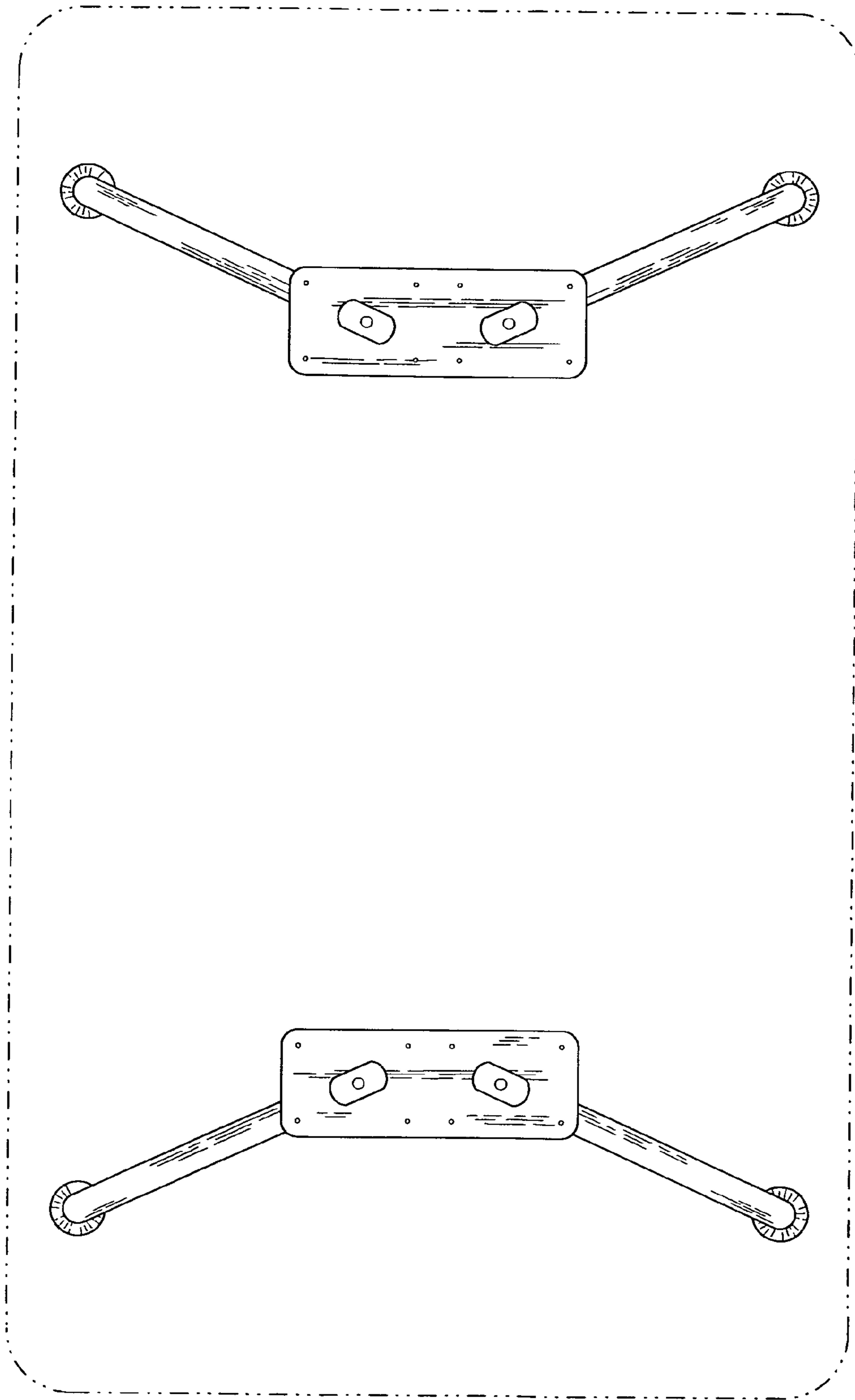


Fig. 3

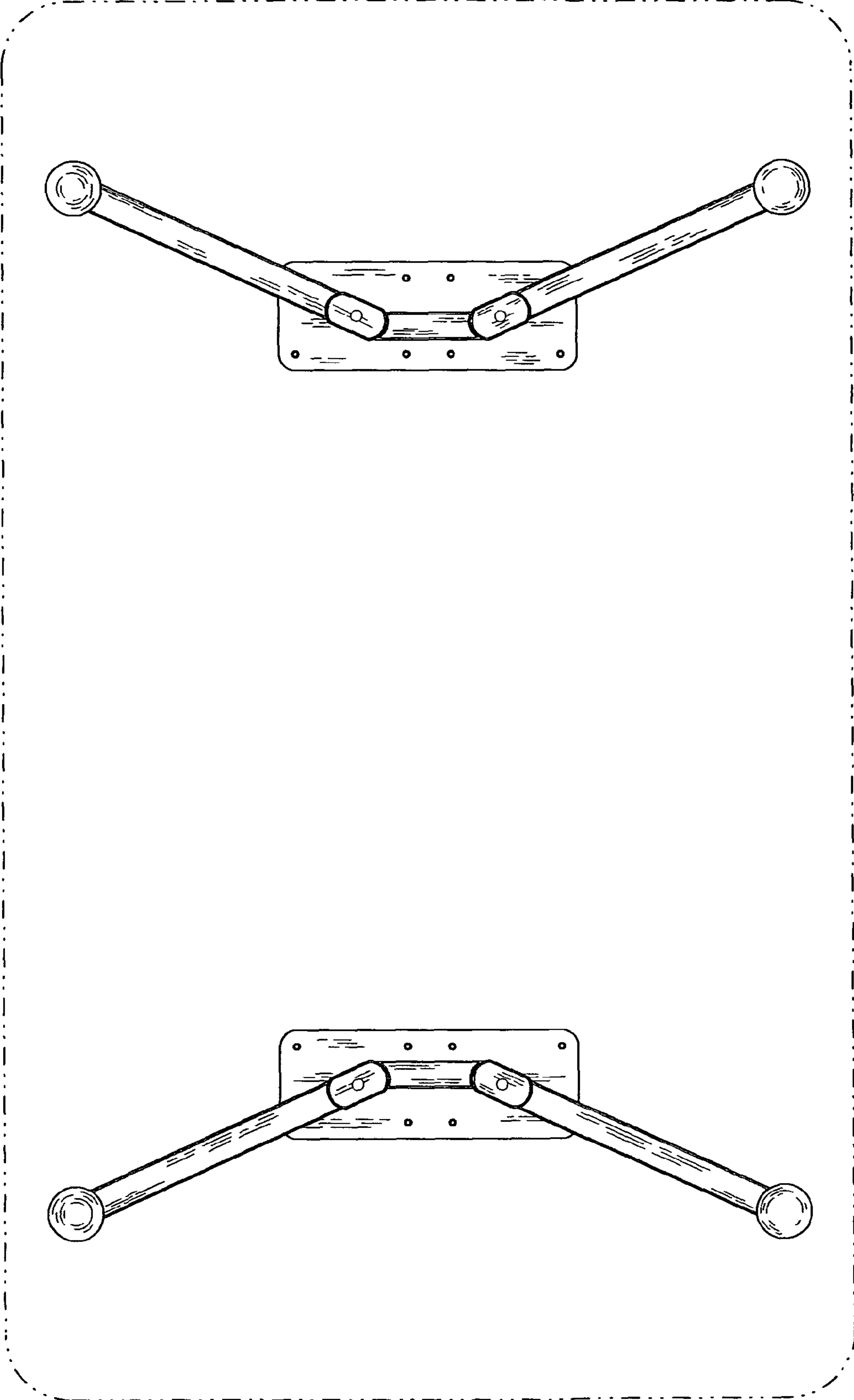


Fig. 4

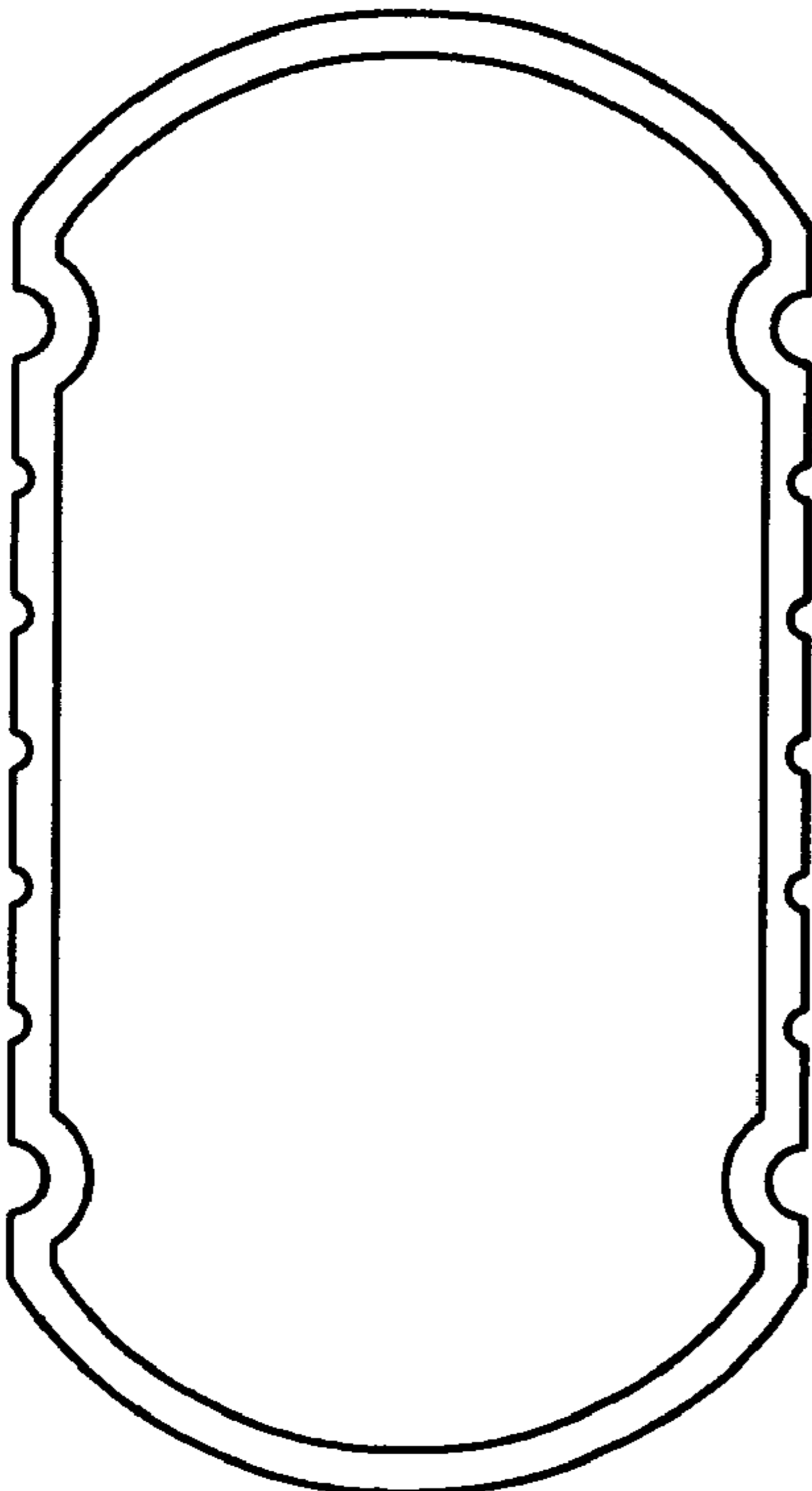


Fig. 5

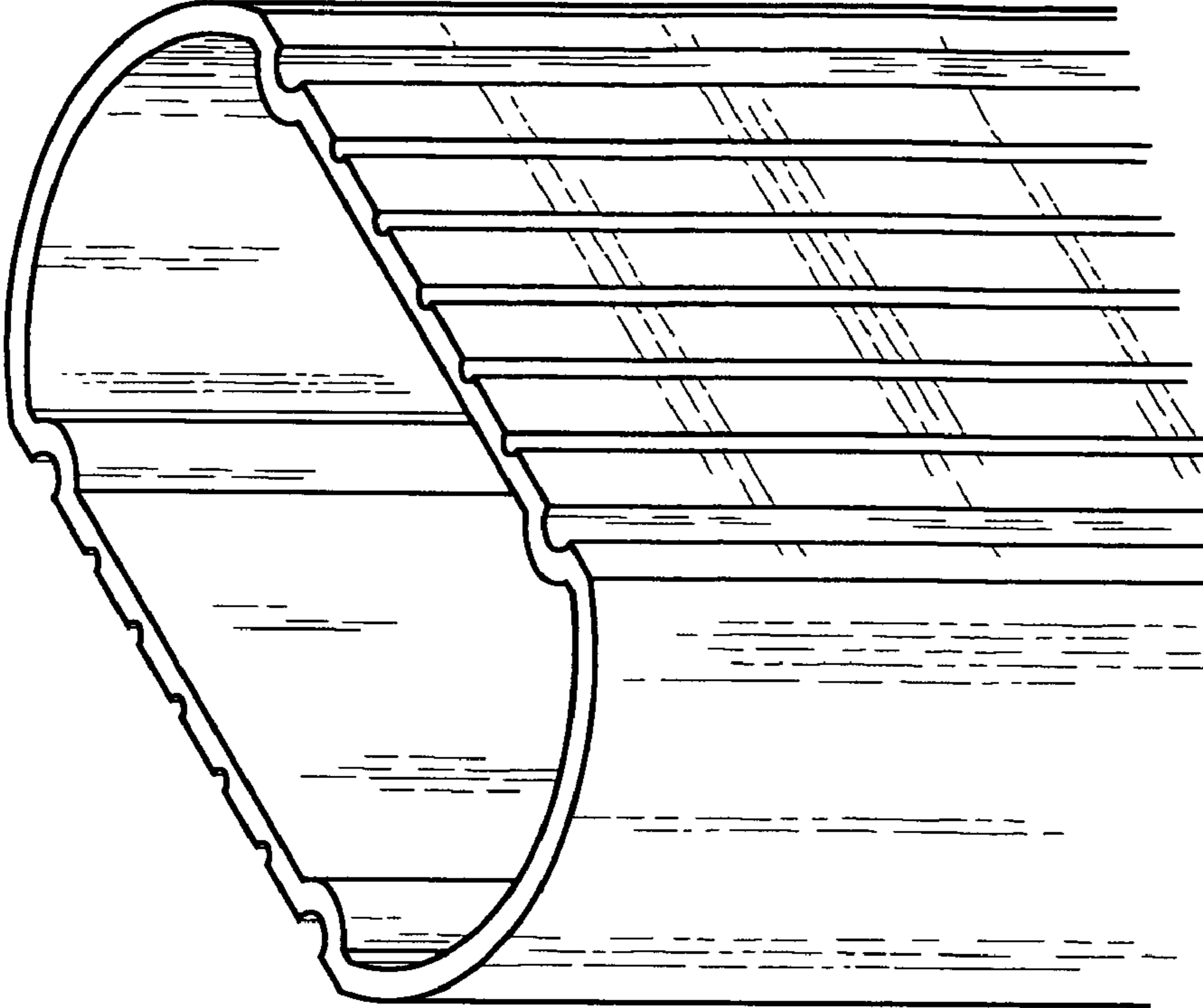


Fig. 6

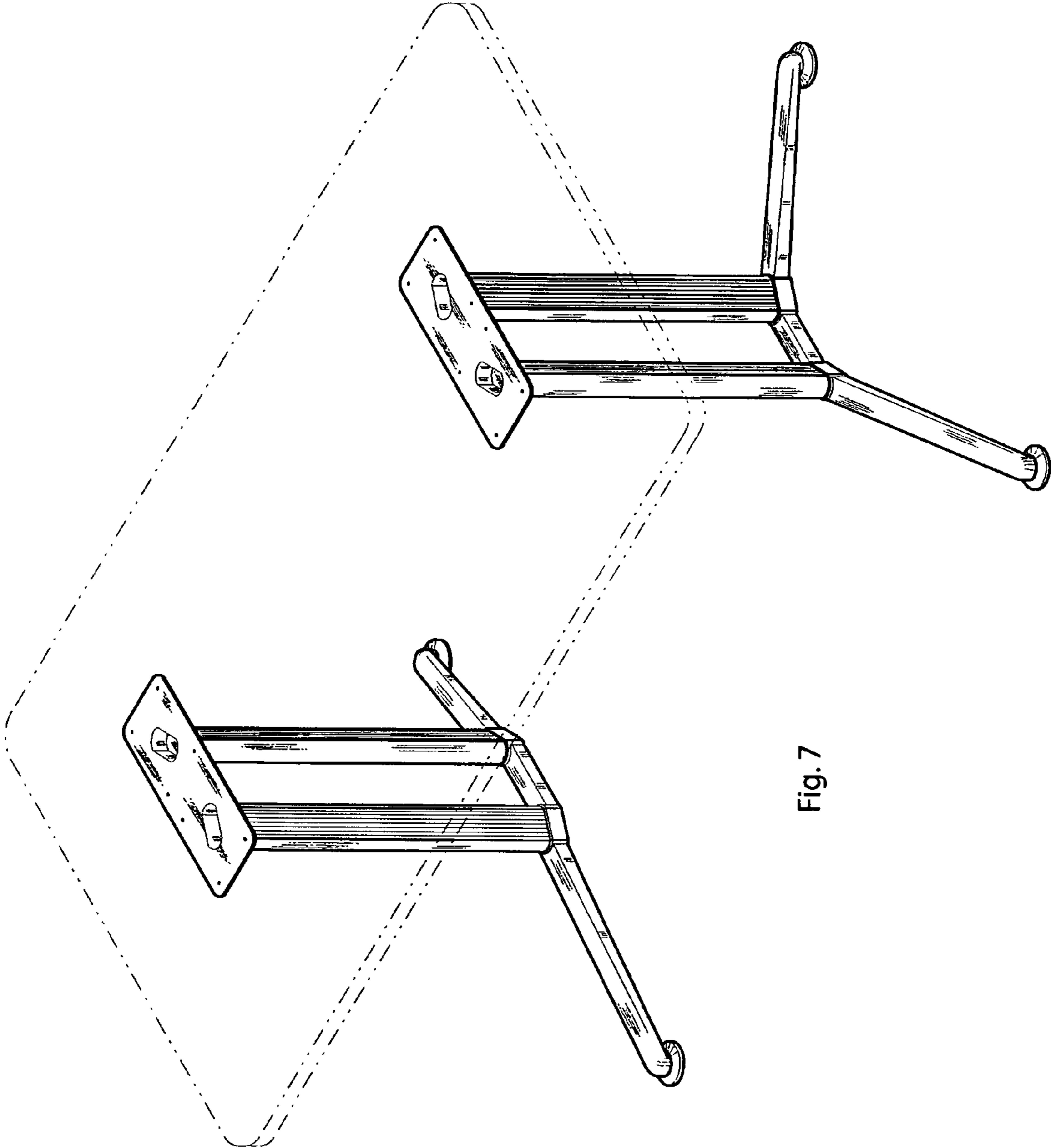
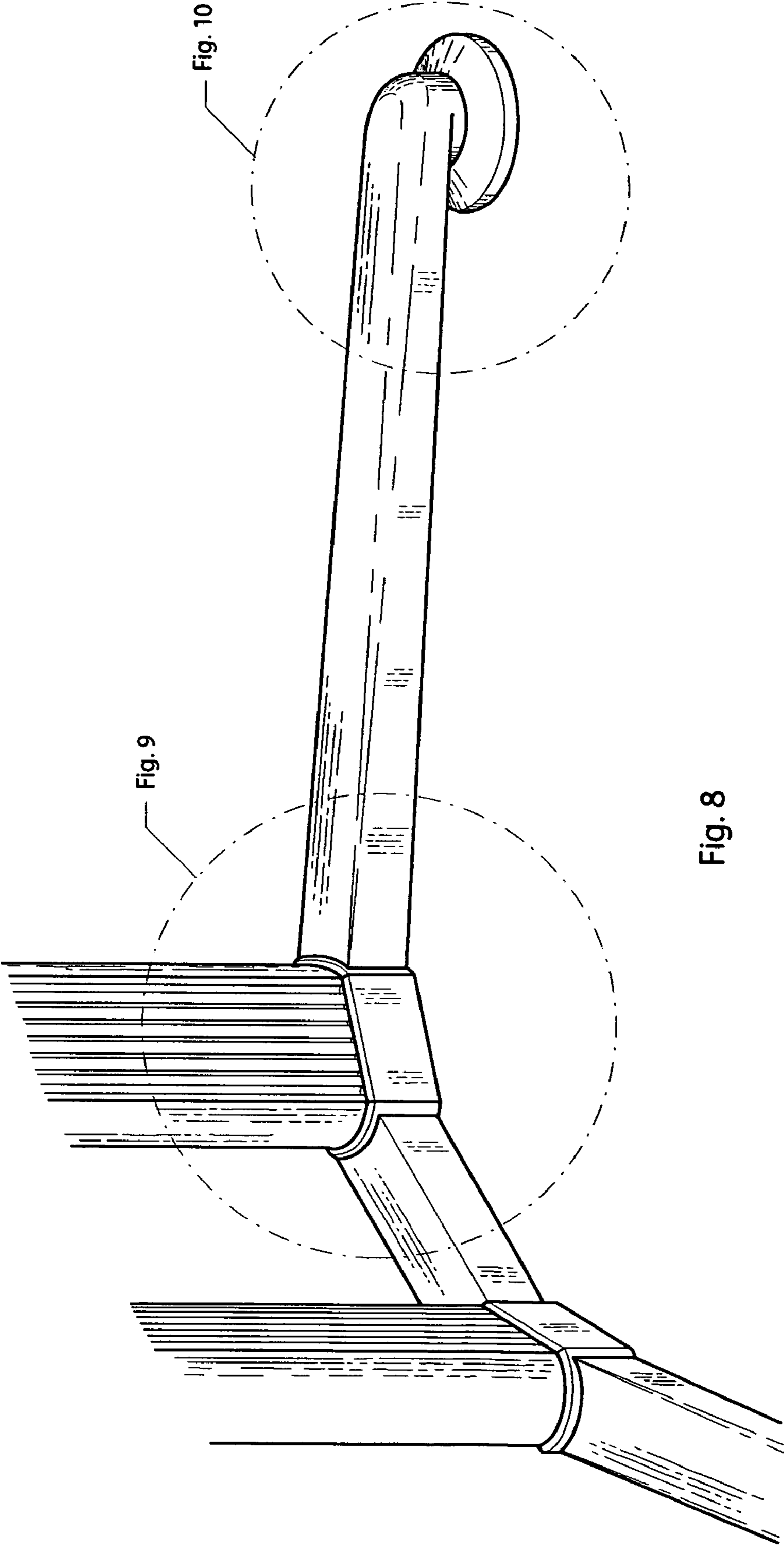


Fig. 7



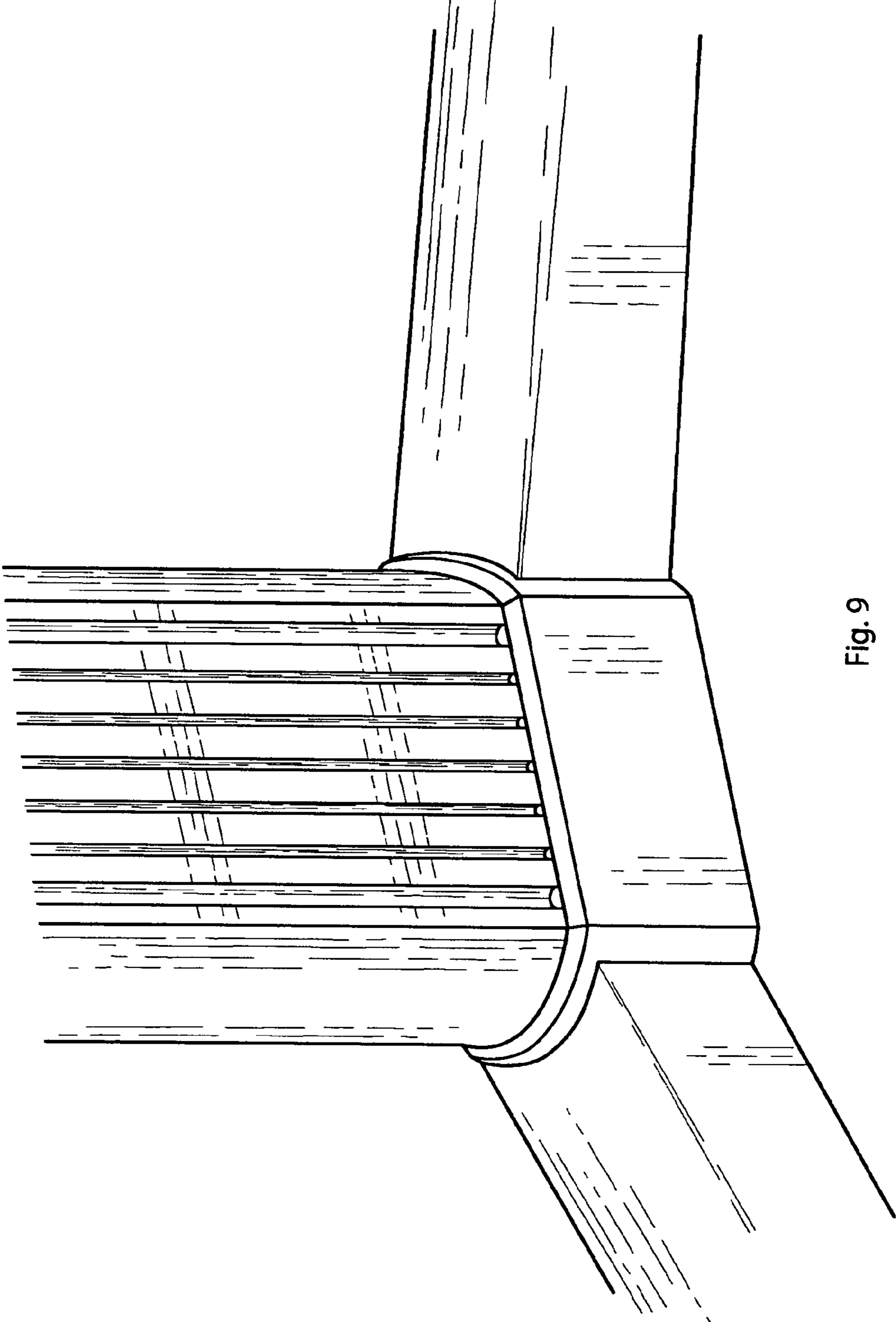


Fig. 9

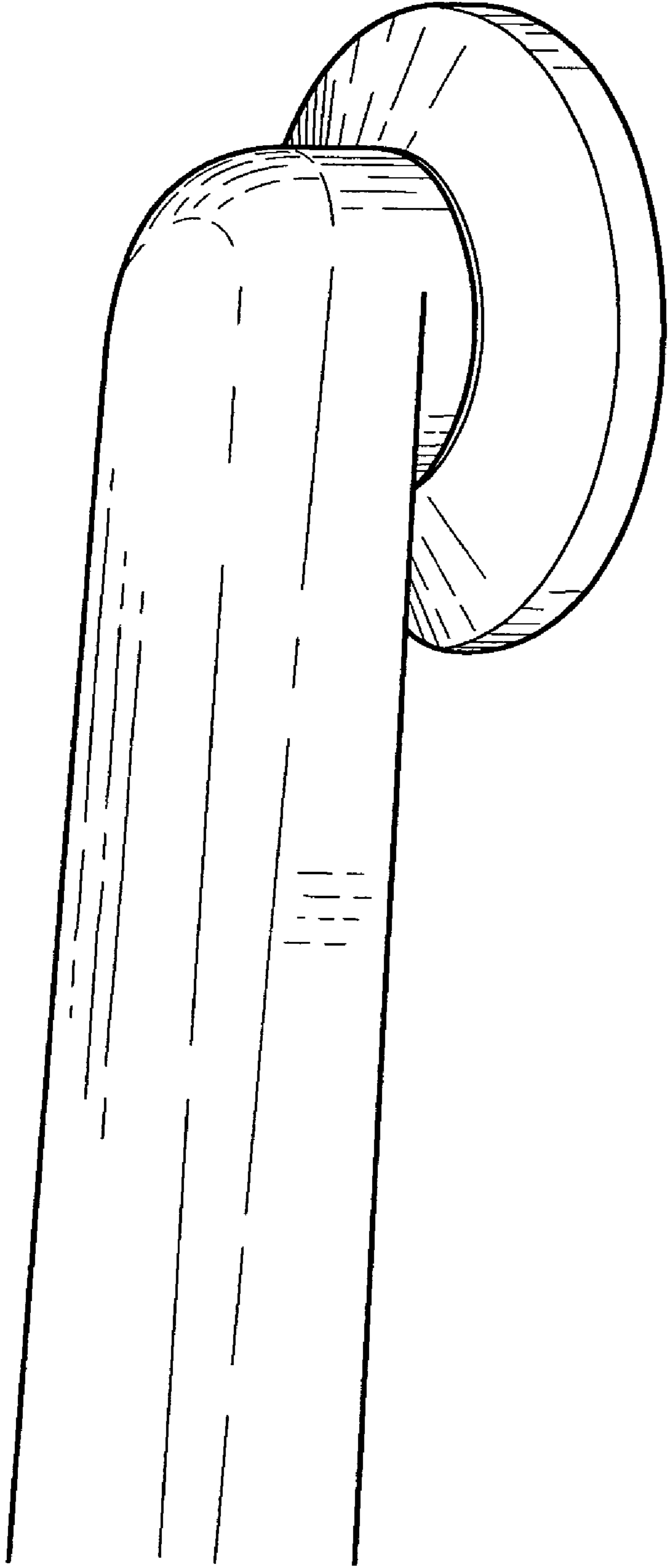


Fig. 10