



US00D644045S

(12) **United States Design Patent**
Oster

(10) **Patent No.:** **US D644,045 S**

(45) **Date of Patent:** **** Aug. 30, 2011**

(54) **TABLE**

(76) Inventor: **Jason Oster**, River Vale, NJ (US)

(**) Term: **14 Years**

(21) Appl. No.: **29/359,003**

(22) Filed: **Apr. 3, 2010**

(51) **LOC (9) Cl.** **06-03**

(52) **U.S. Cl.** **D6/489**

(58) **Field of Classification Search** D6/480-489,
D6/429-431, 495-499; 108/150, 153.1,
108/155, 156, 161, 144.11, 146, 147, 147.19,
108/147.21; 248/188, 188.1, 188.7, 188.8
See application file for complete search history.

(56) **References Cited**

U.S. PATENT DOCUMENTS

D252,063 S *	6/1979	Montague	D6/484
D280,164 S *	8/1985	Berry, Jr.	D6/489
D381,845 S *	8/1997	Thomas	D6/495
D460,640 S *	7/2002	Herron et al.	D6/482
D506,330 S *	6/2005	Martin	D6/480

* cited by examiner

Primary Examiner — Janice Seeger

(74) *Attorney, Agent, or Firm* — QuickPatents, Inc.; Kevin Prince

(57) **CLAIM**

What is claimed is the ornamental design for a table, as shown and described.

DESCRIPTION

FIG. 1 is a perspective view of a table, showing the new design;

FIG. 2 is a front elevational view thereof;

FIG. 3 is a rear elevational view thereof;

FIG. 4 is a left-side elevational view thereof, the right-side elevational view being a mirror image thereof;

FIG. 5 is a top plan view thereof, the bottom plan view being a mirror image thereof;

FIG. 6 is a perspective view of an alternate embodiment thereof;

FIG. 7 is a front elevational view thereof;

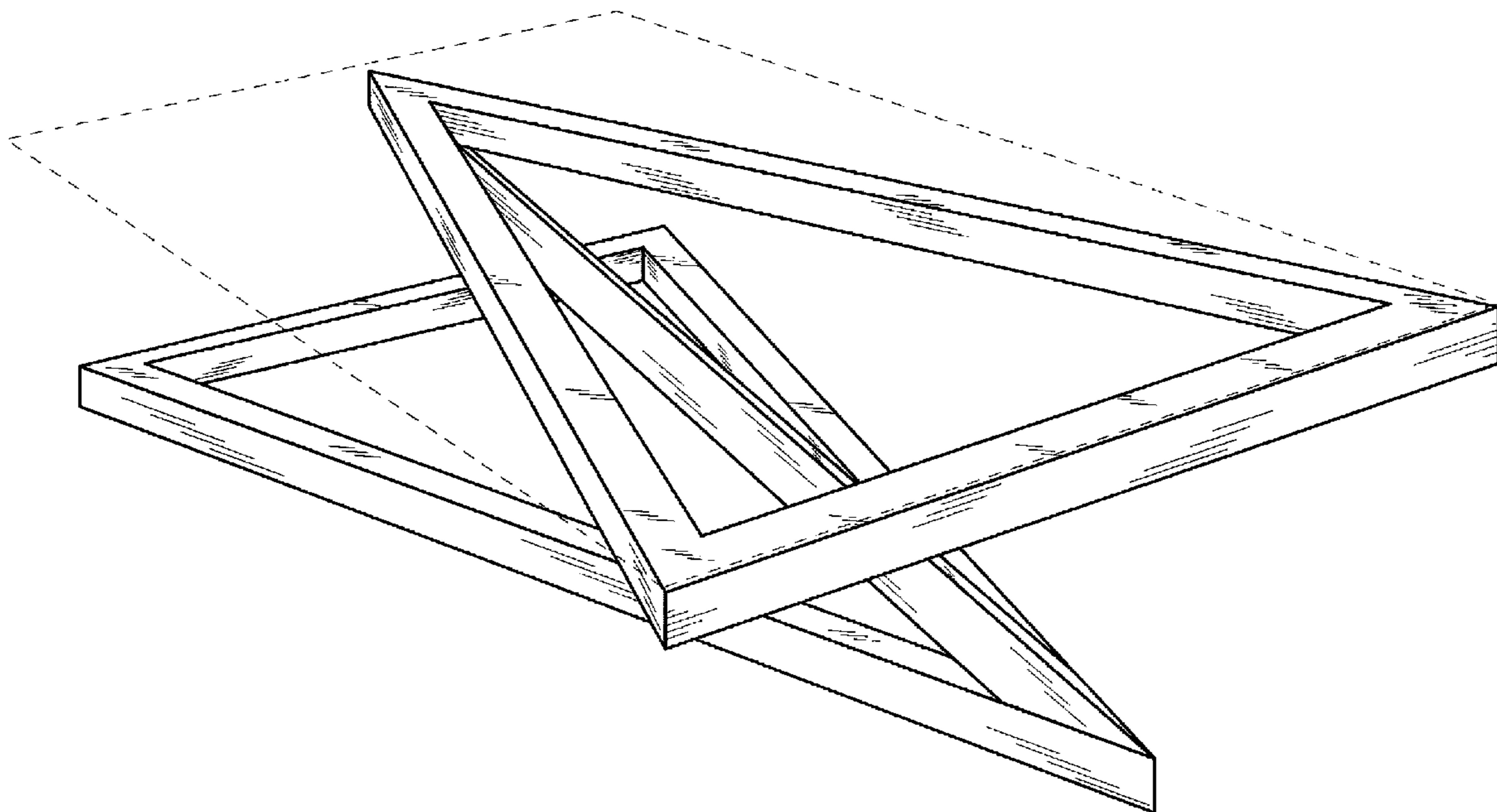
FIG. 8 is a rear elevational view thereof;

FIG. 9 is a left-side elevational view thereof, the right-side elevational view being a mirror image thereof; and,

FIG. 10 is a top plan view thereof, the bottom plan view being a mirror image thereof.

The broken lines showing a table top in FIGS. 1 and 6 are included for the purpose of illustrating the invention in use, and form no part of the claimed design.

1 Claim, 6 Drawing Sheets



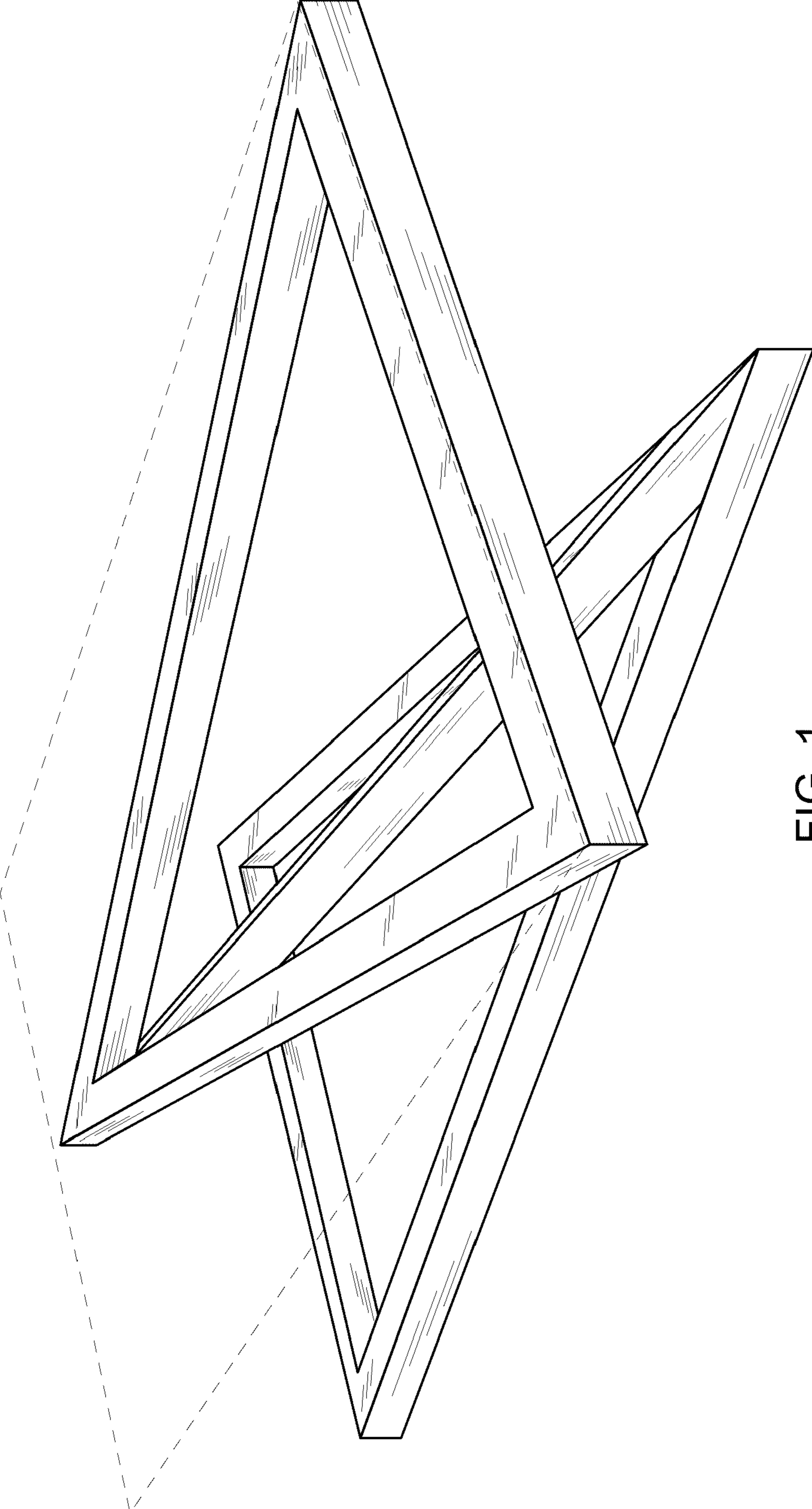


FIG. 1

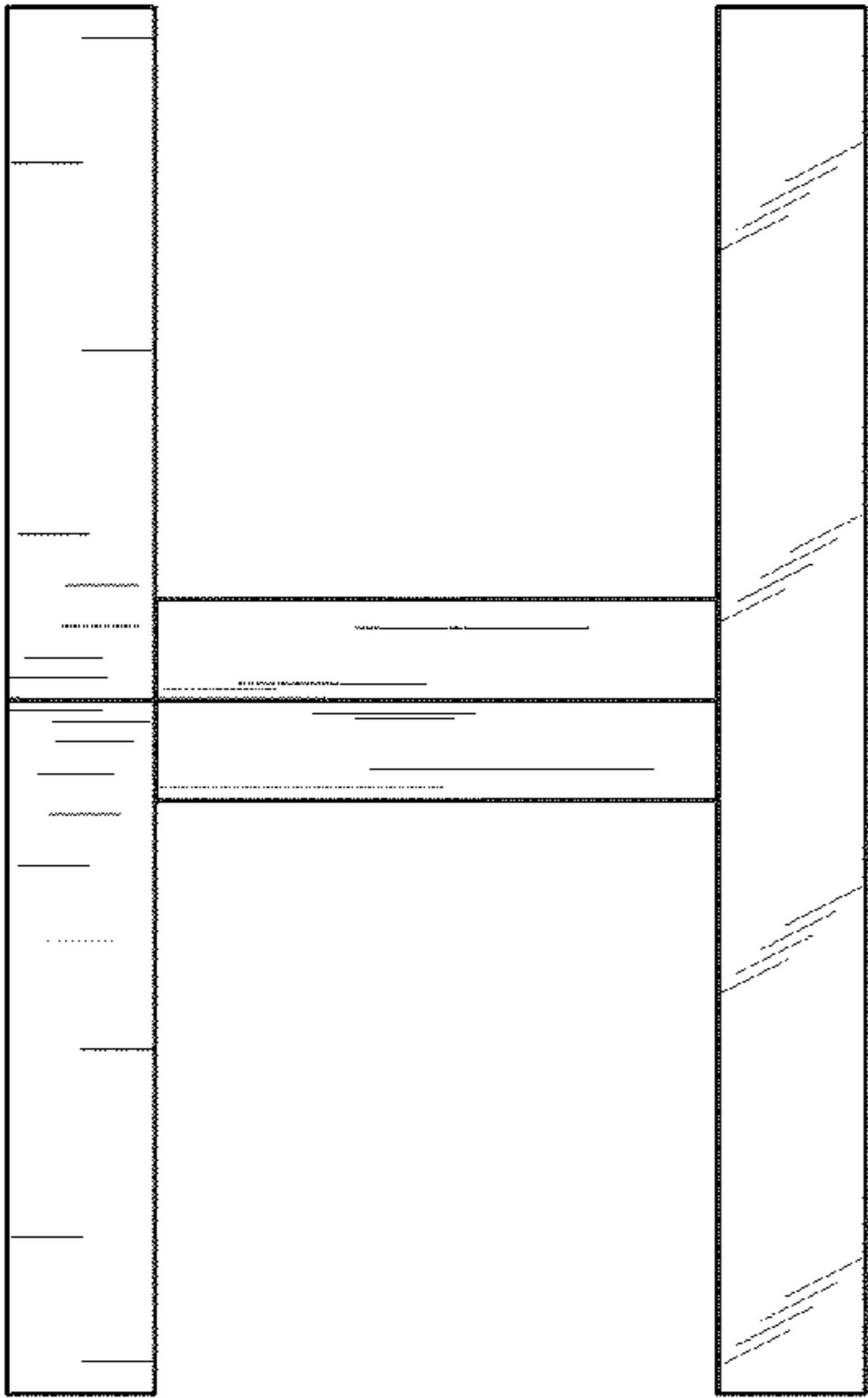


FIG. 2

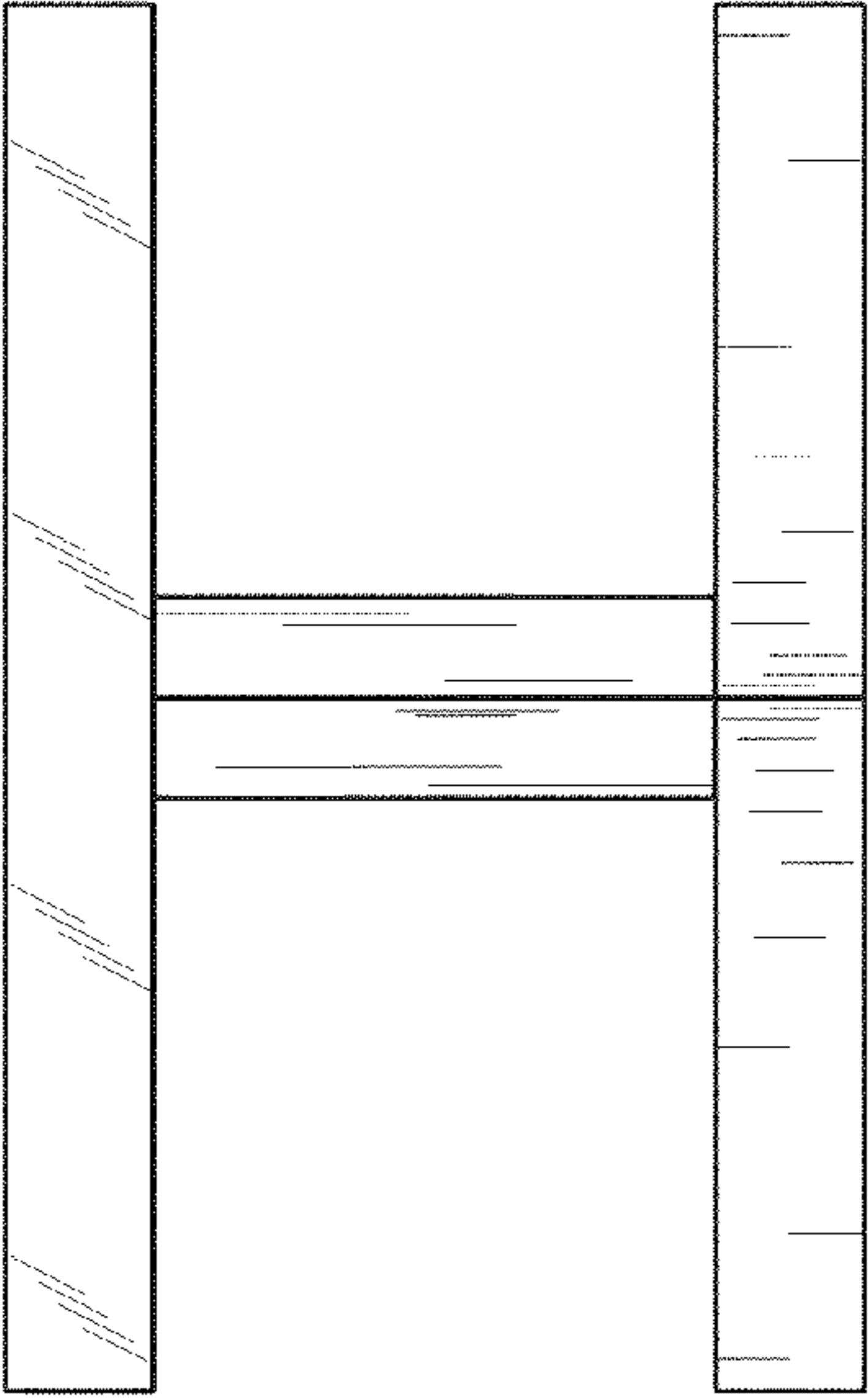


FIG. 3

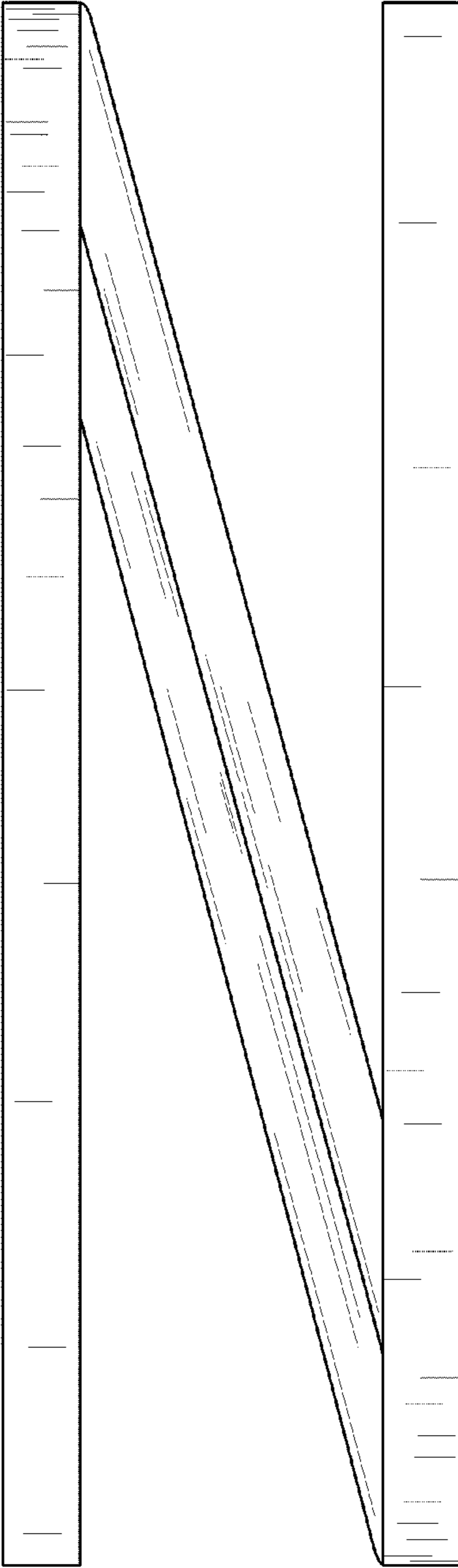


FIG. 4

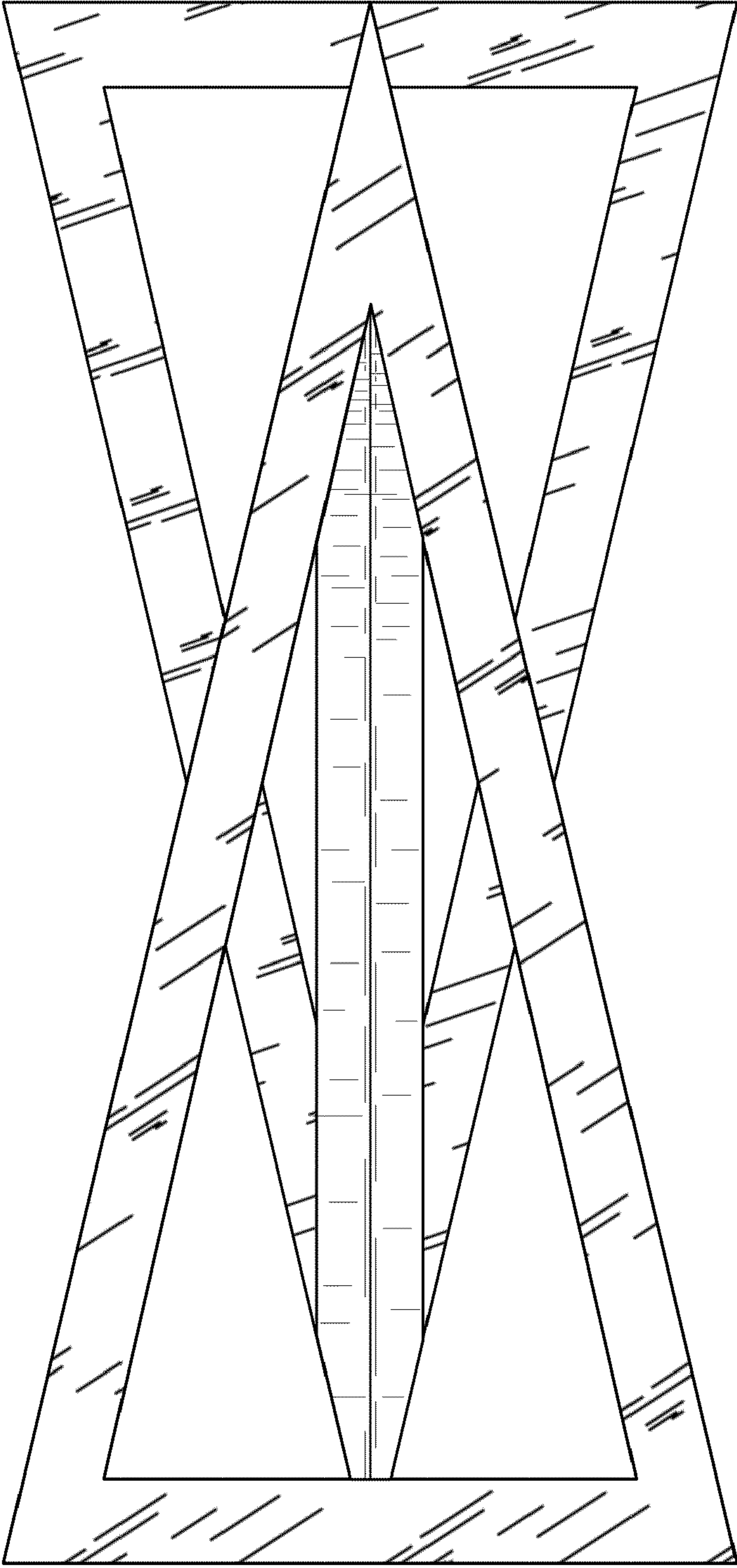


FIG. 5

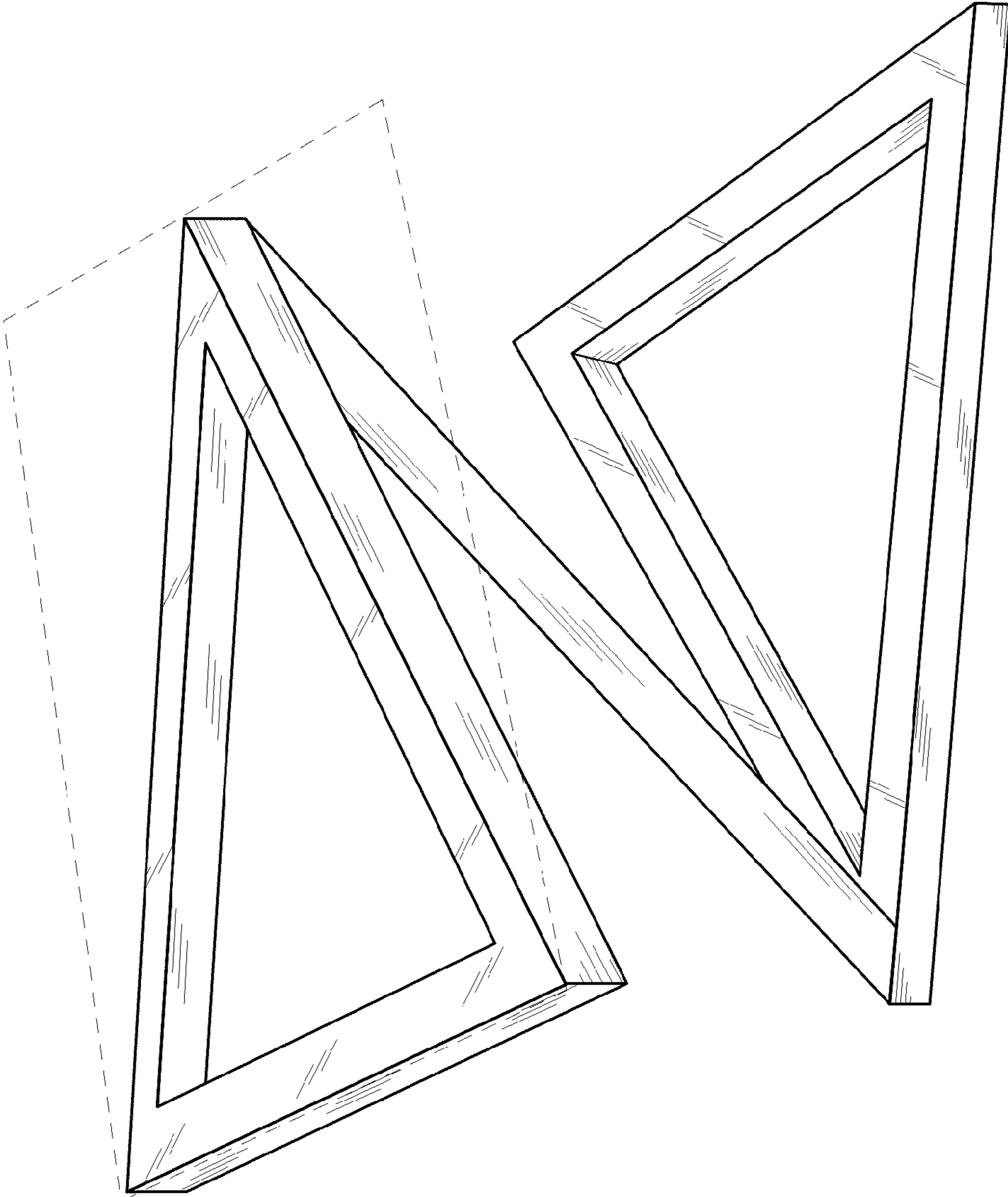


FIG. 6

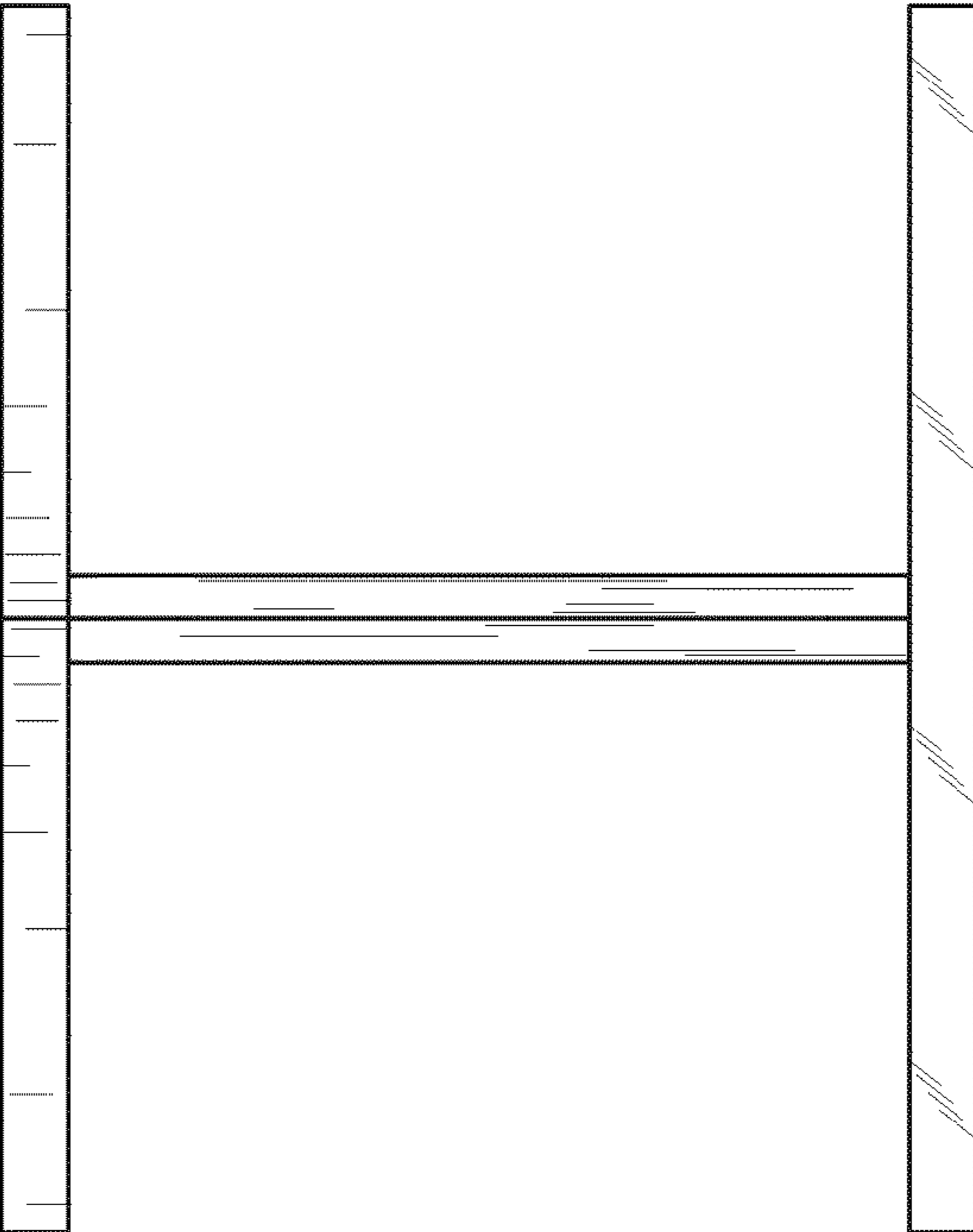


FIG. 8

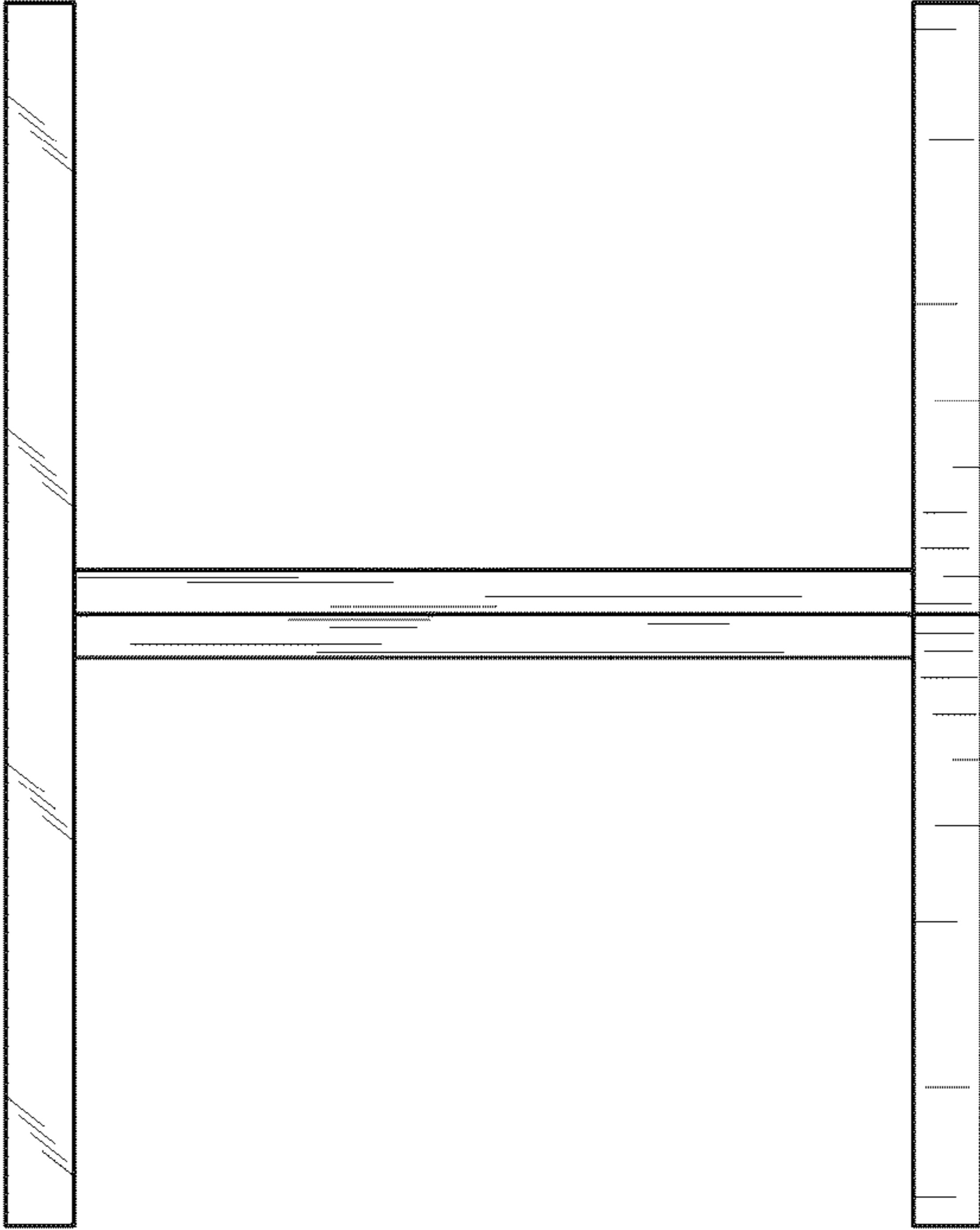


FIG. 7

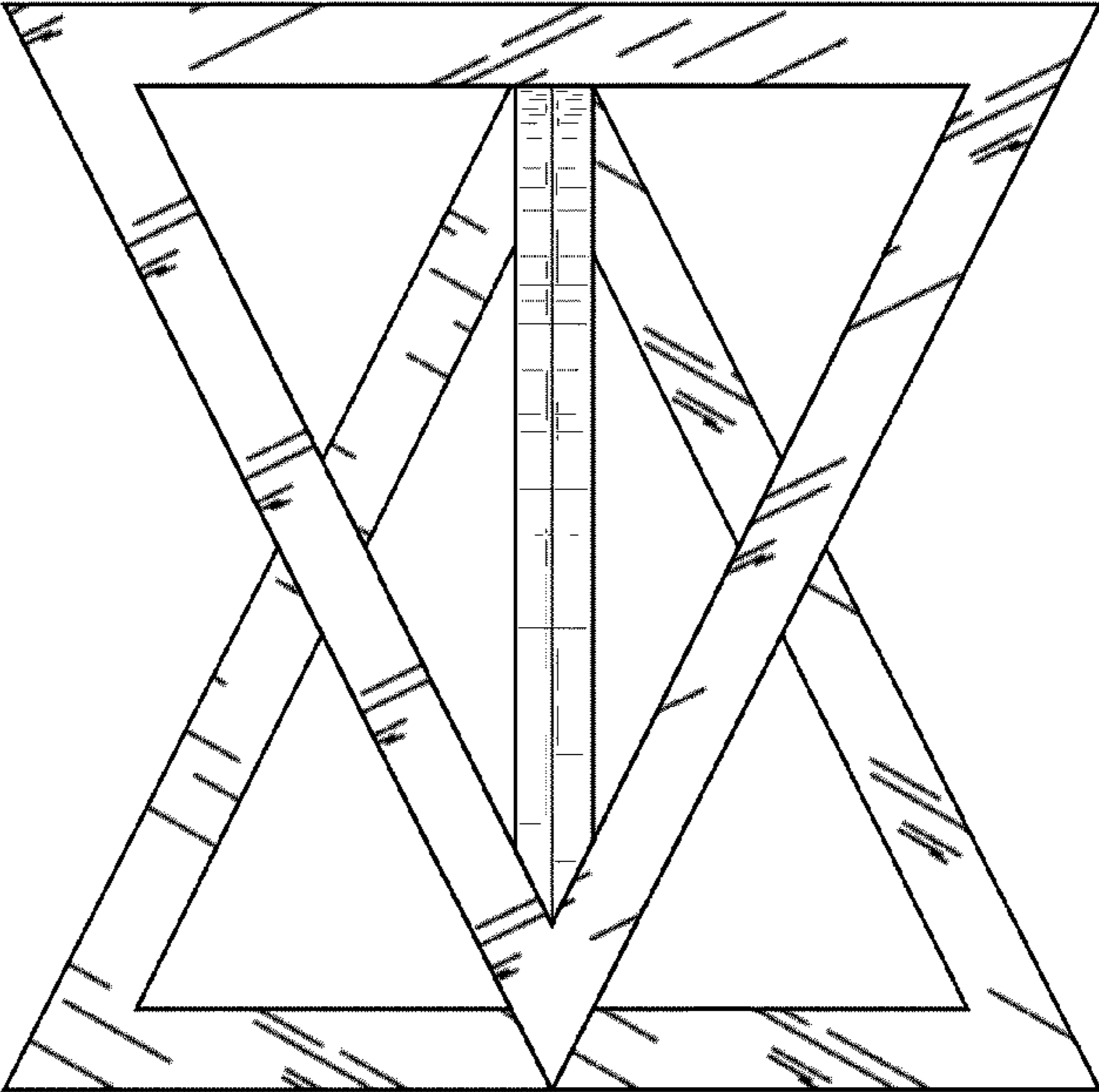


FIG. 10

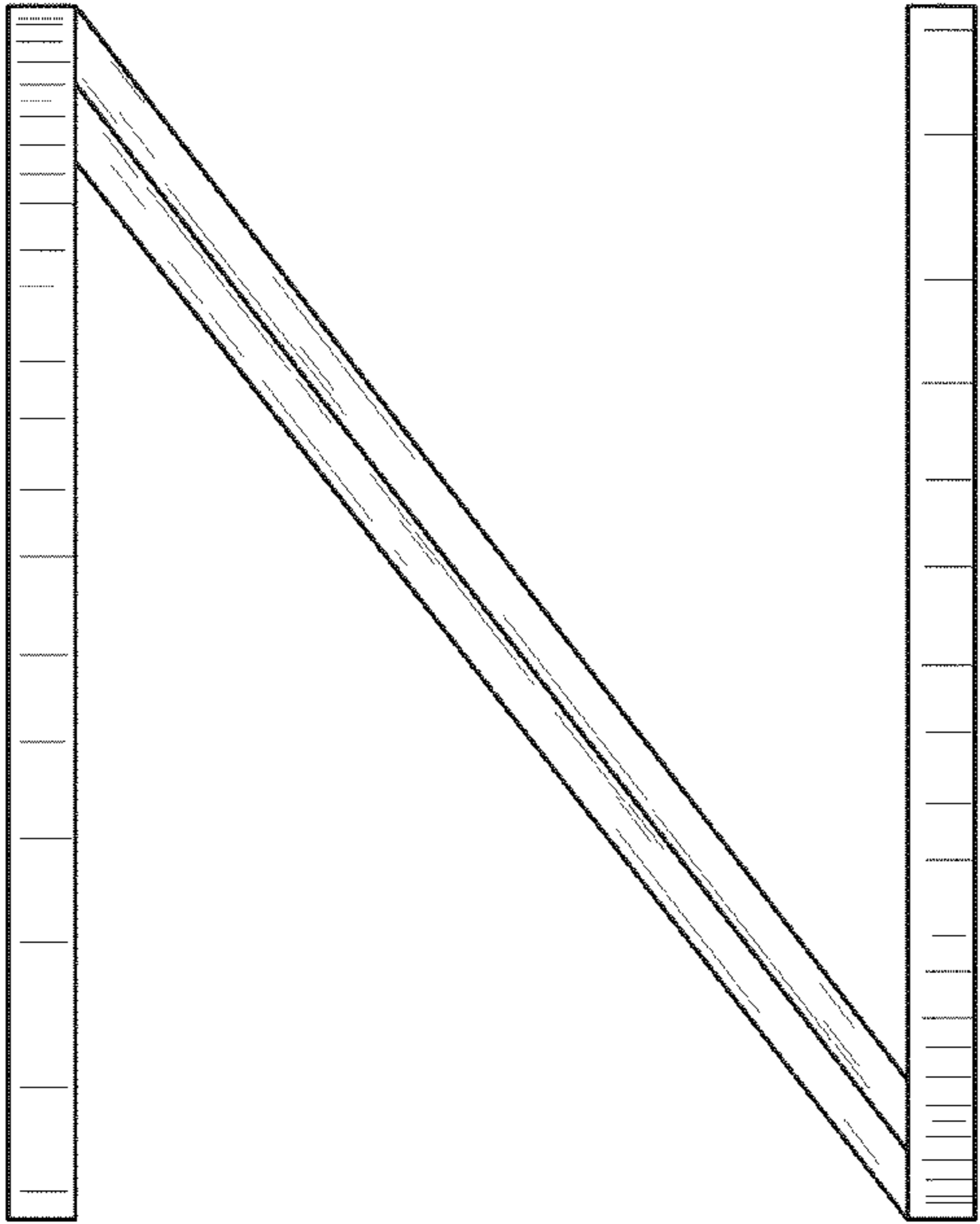


FIG. 9