



US00D644044S

(12) **United States Design Patent**
Kitajima

(10) **Patent No.:** **US D644,044 S**

(45) **Date of Patent:** **** Aug. 30, 2011**

(54) **TABLE**

(75) Inventor: **Haruhiko Kitajima**, Kanagawa (JP)

(73) Assignee: **Okamura Corporation**, Kanagawa (JP)

(**) Term: **14 Years**

(21) Appl. No.: **29/359,704**

(22) Filed: **Apr. 14, 2010**

(30) **Foreign Application Priority Data**

Oct. 15, 2009 (JP) 2009-024226

Apr. 7, 2010 (JP) 2010-008710

(51) **LOC (9) Cl.** **06-03**

(52) **U.S. Cl.** **D6/480**

(58) **Field of Classification Search** D6/480-489,
D6/495-499, 429-431, 451; 108/153.1,
108/156, 157.1, 161, 144.11, 146, 147, 147.19,
108/147.21; 248/188, 188.1, 188.7, 188.8

See application file for complete search history.

(56) **References Cited**

U.S. PATENT DOCUMENTS

3,339,503 A * 9/1967 Flodell 108/158

D277,717 S * 2/1985 Petrick D6/495

5,845,590 A * 12/1998 Seidl 108/147

D409,020 S * 5/1999 Hardin D6/480

D572,499 S * 7/2008 Davis D6/422

2008/0121149 A1 * 5/2008 Michaud et al. 108/147

* cited by examiner

Primary Examiner — Janice Seeger

(74) *Attorney, Agent, or Firm* — Sughrue Mion, PLLC

(57) **CLAIM**

The ornamental design for a table, as shown and described.

DESCRIPTION

FIG. 1 is a perspective view of a table.

FIG. 2 is a front elevation view thereof, the rear elevation view being symmetrical to the front elevation view.

FIG. 3 is a right side elevation view thereof, the left side elevation view being symmetrical to the right side elevation view.

FIG. 4 is a top plan view thereof.

FIG. 5 is a bottom plan view thereof.

FIG. 6 is an enlarged end view of Line 6—6 in FIG. 2.

FIG. 7 is an enlarged sectional view of Line 7—7 in FIG. 2.

FIG. 8 is a perspective view thereof with the tabletop lowered.

FIG. 9 is a perspective view of another embodiment of the table.

FIG. 10 is a front elevation view thereof, the rear elevation view being symmetrical to the front elevation view.

FIG. 11 is a right side elevation view thereof, the left side elevation view being symmetrical to the right side elevation view.

FIG. 12 is a top plan view thereof.

FIG. 13 is a bottom plan view thereof.

FIG. 14 is an enlarged end view of Line 6—6 in FIG. 10.

FIG. 15 is an enlarged sectional view of Line 7—7 in FIG. 10.

FIG. 16 is a perspective view thereof with the tabletop lowered.

FIG. 17 is a front elevation view thereof with the tabletop lowered; and,

FIG. 18 is a right side elevation view thereof with the tabletop lowered.

1 Claim, 18 Drawing Sheets

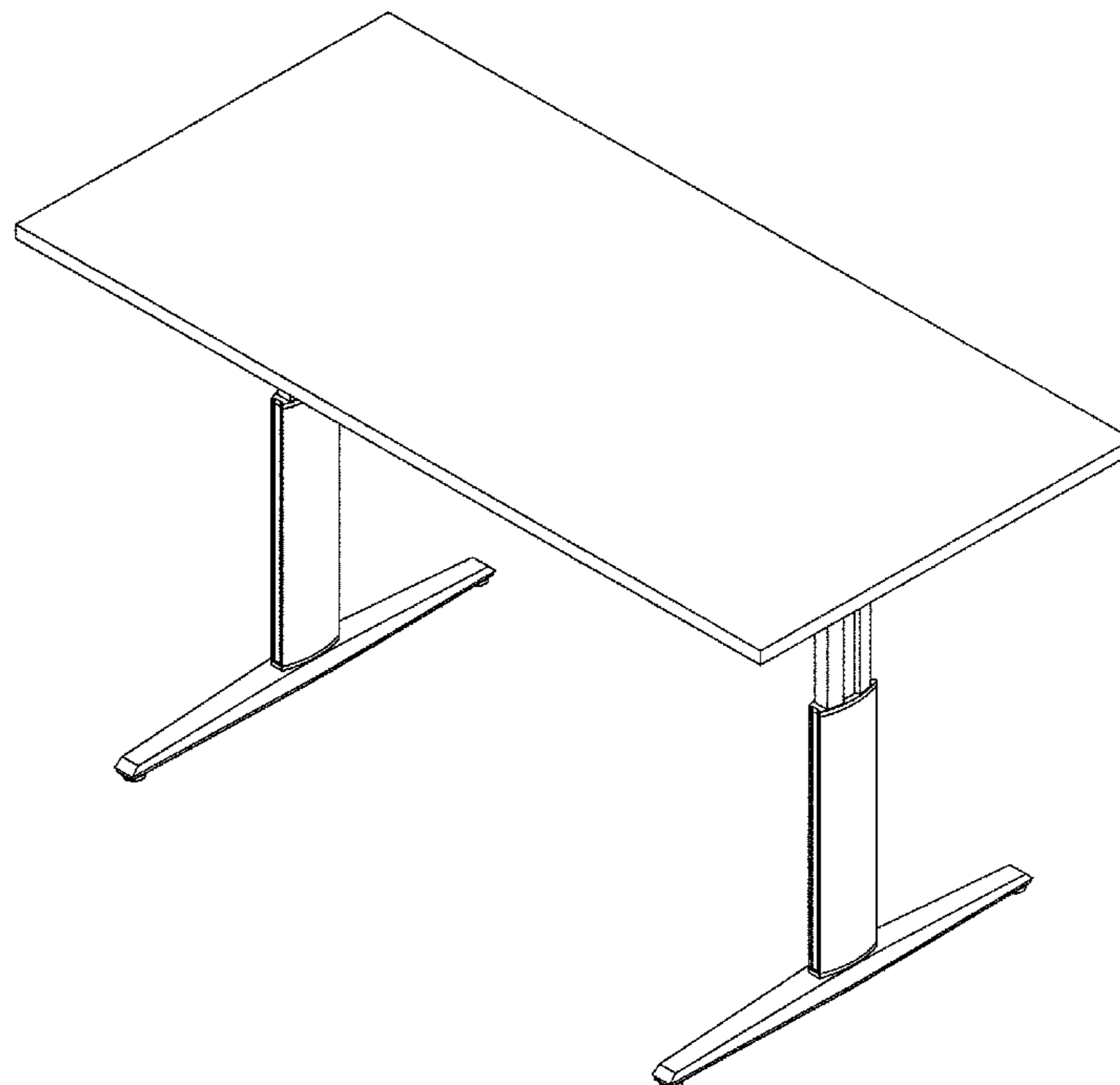


FIG. 1

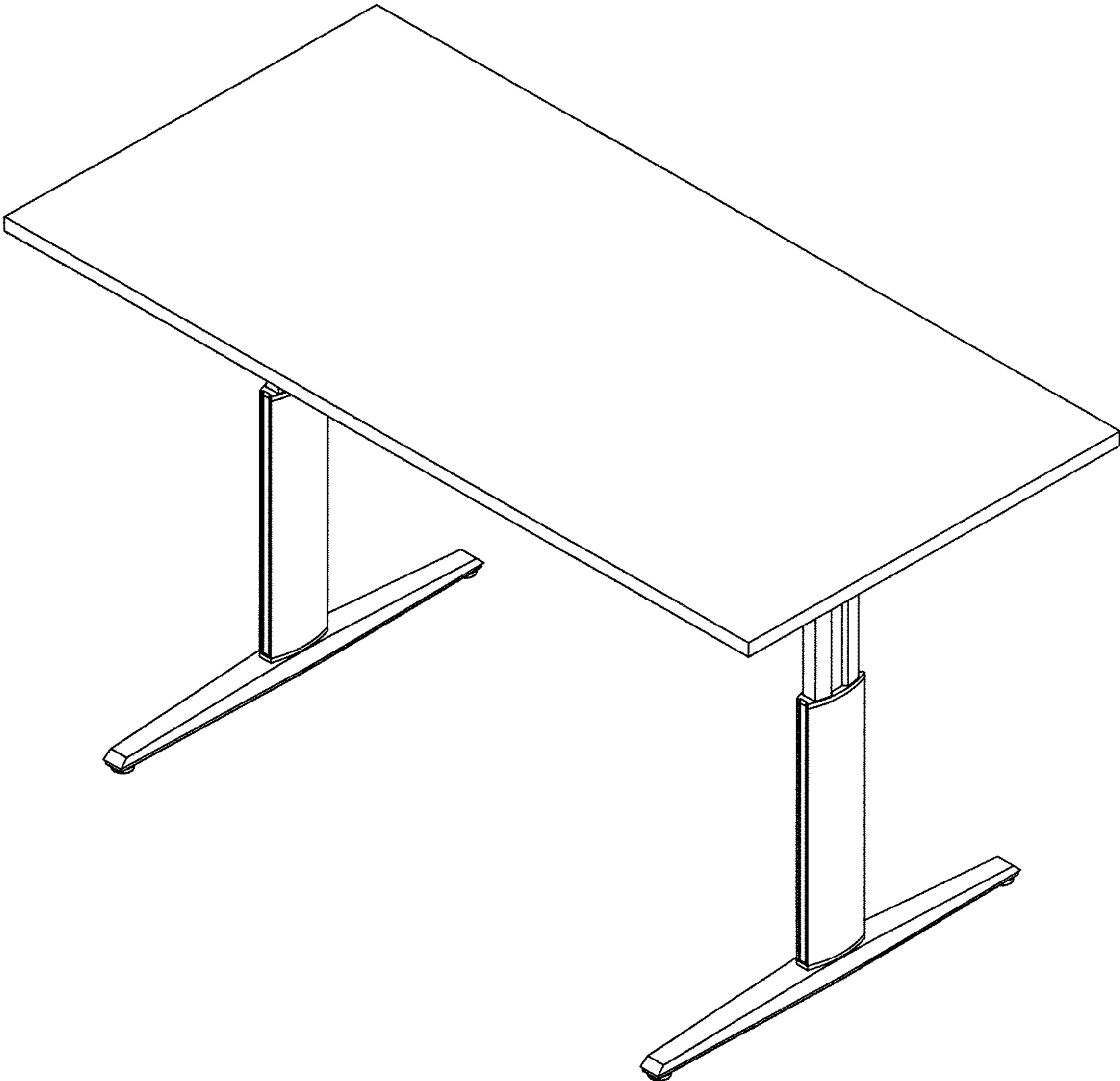


FIG. 2

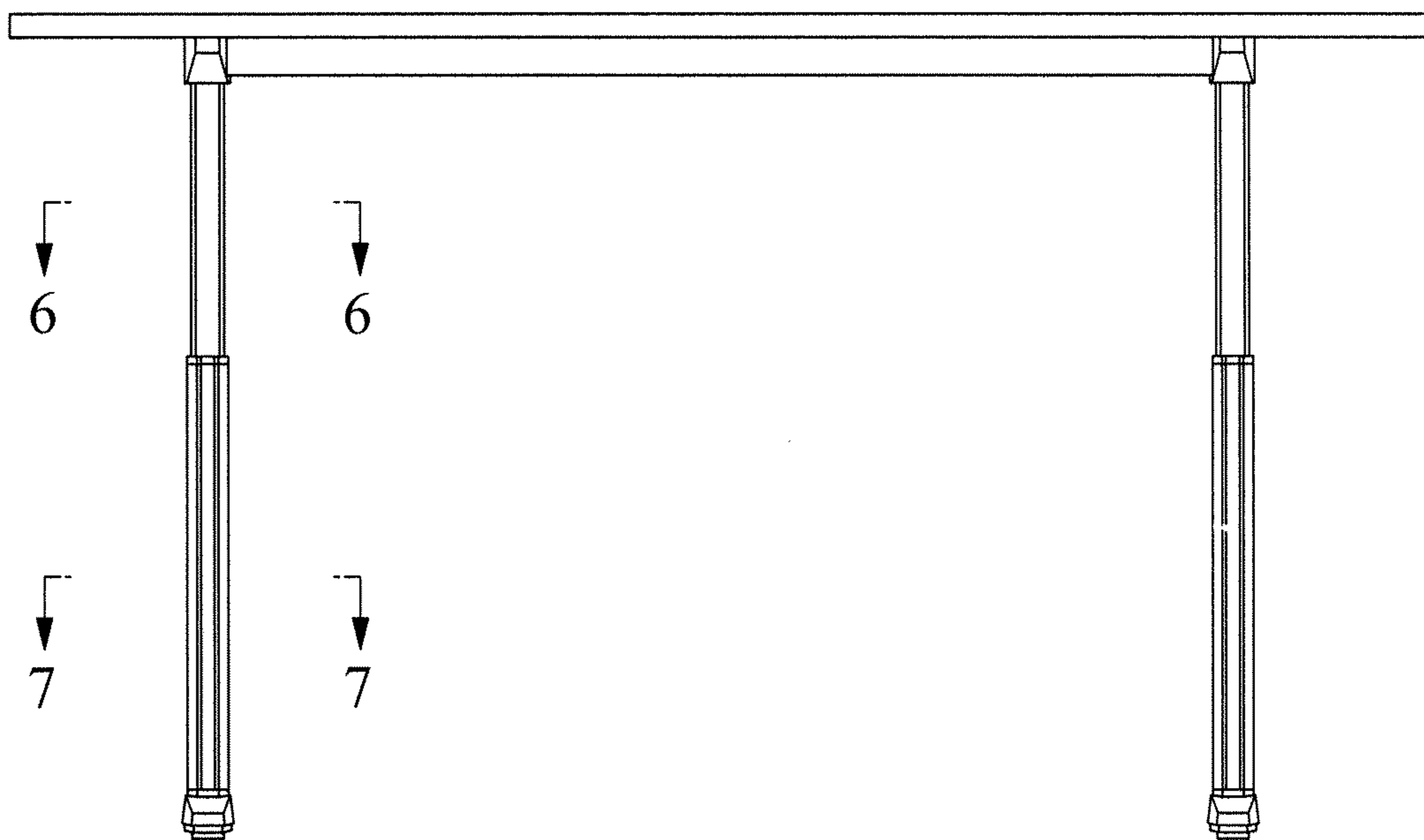


FIG. 3

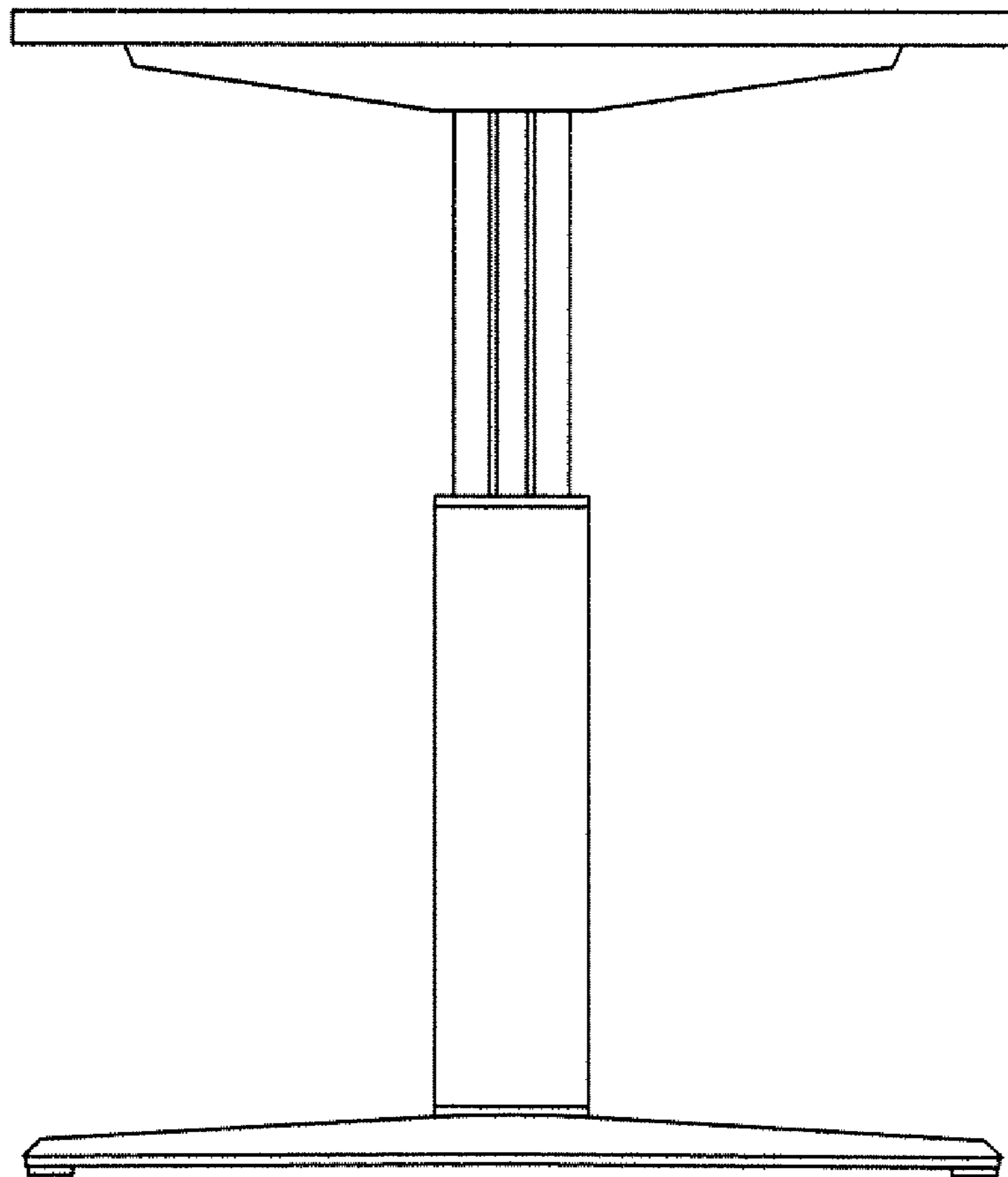


FIG. 4

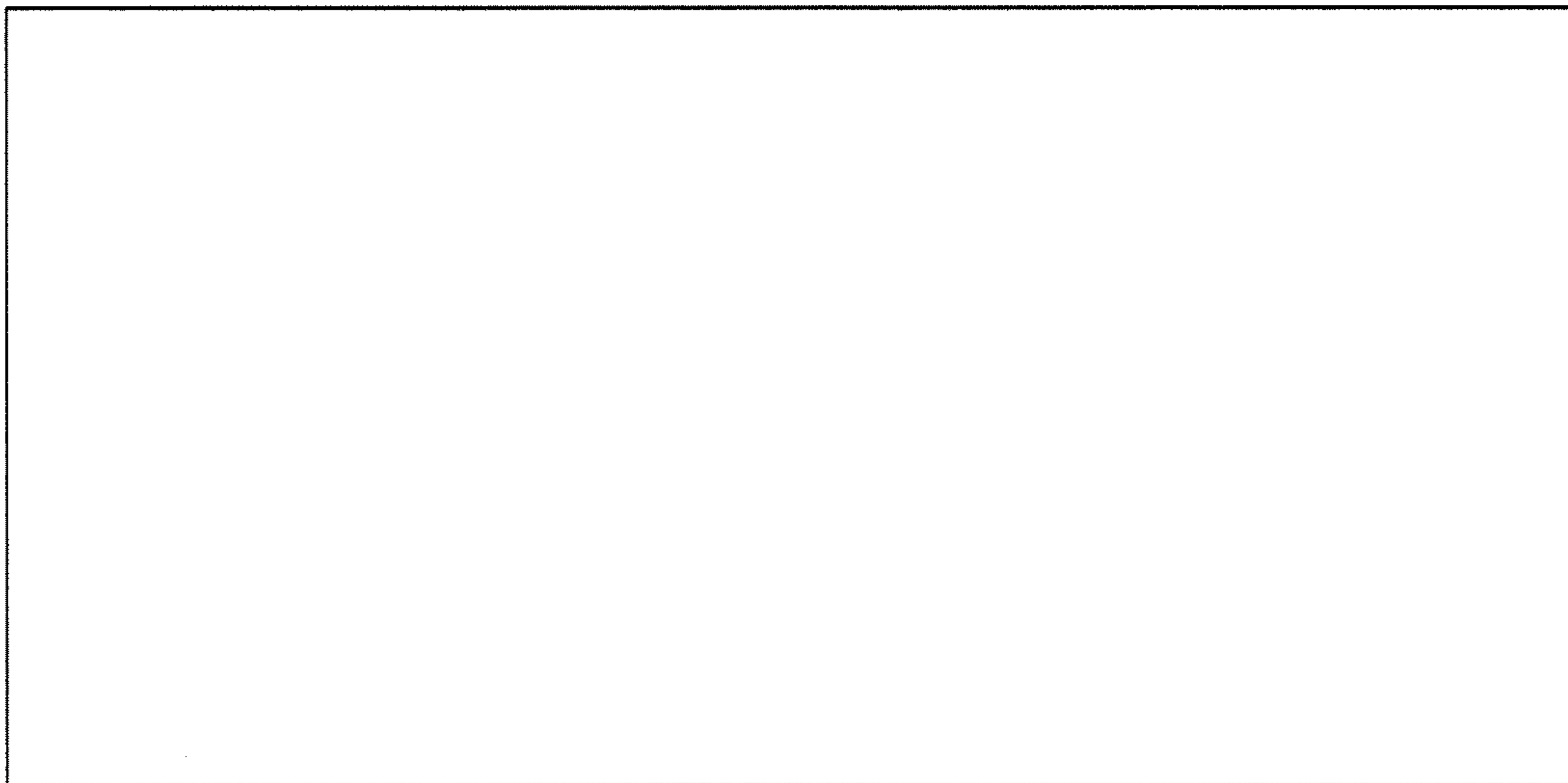


FIG. 5

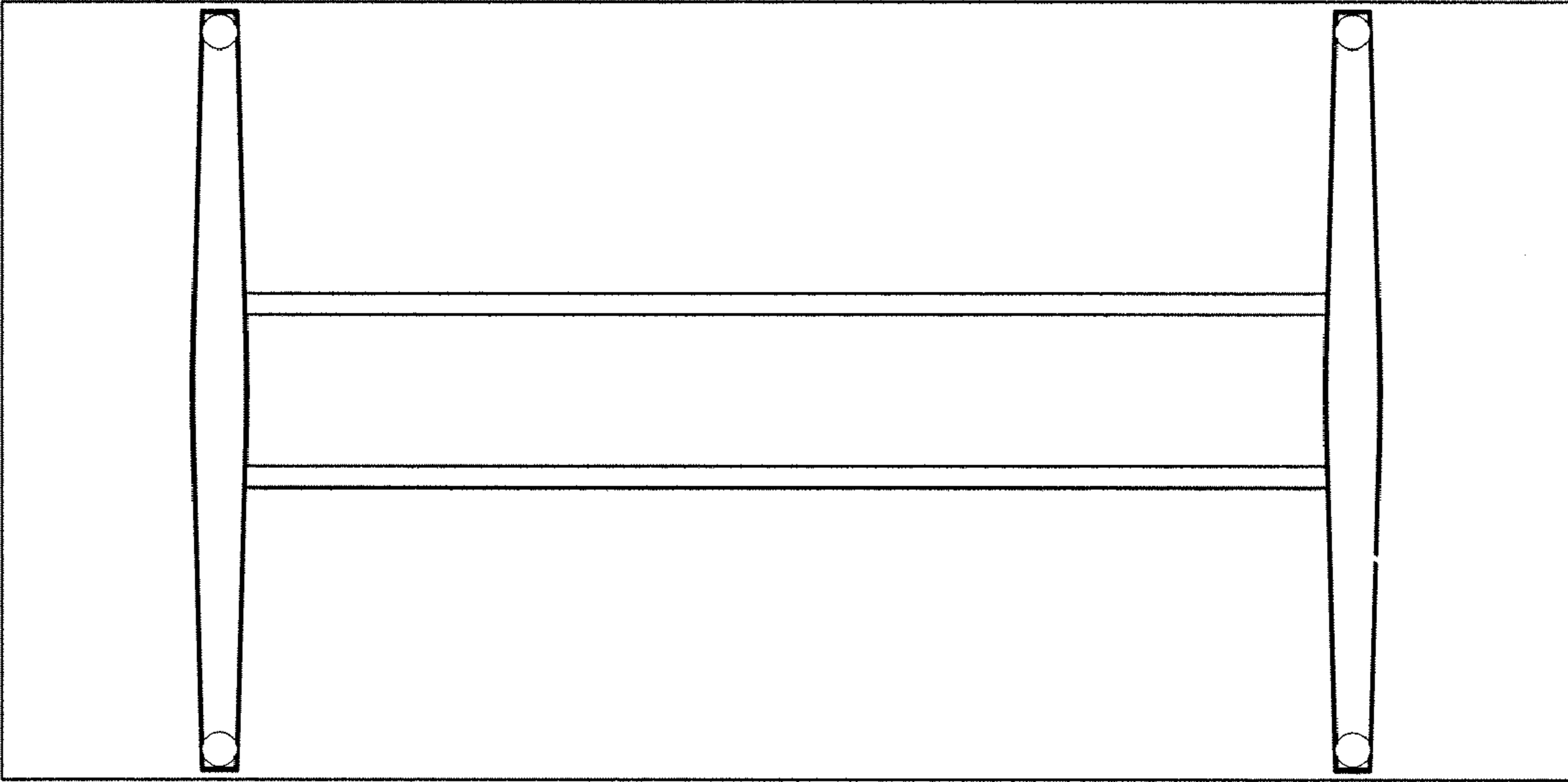


FIG. 6

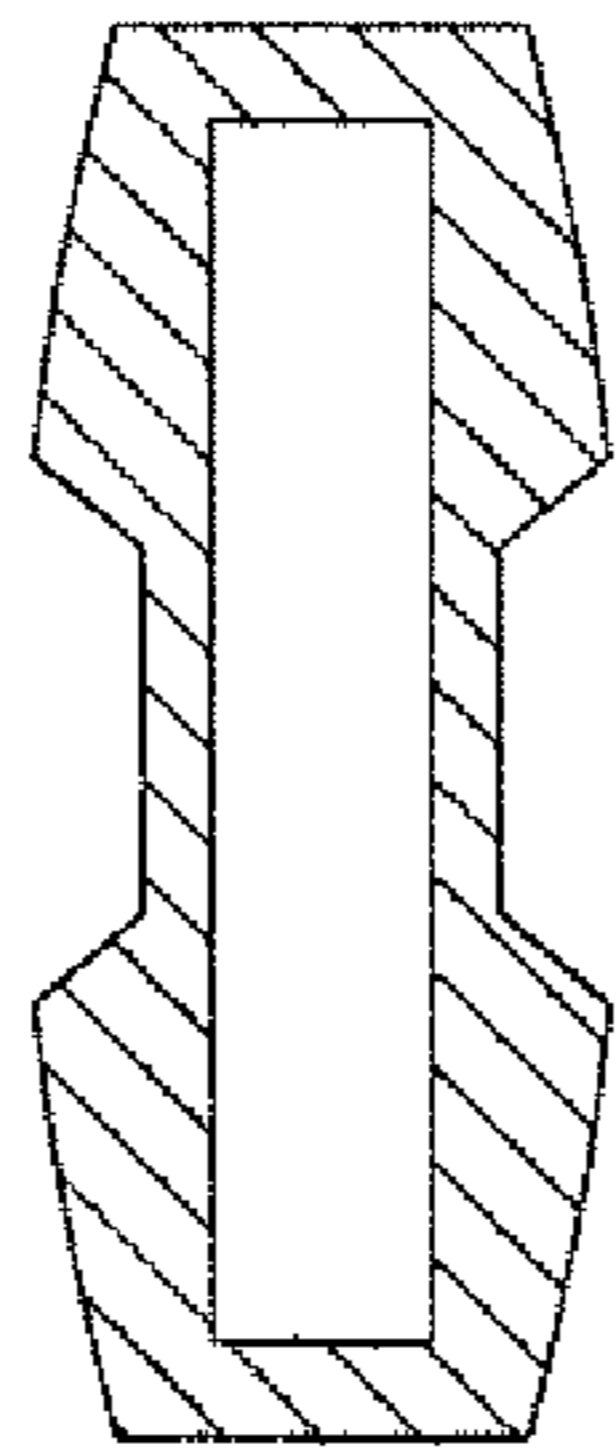


FIG. 7

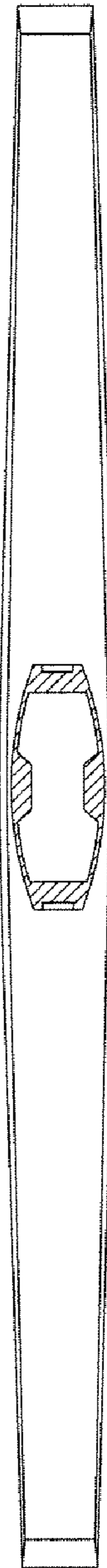


FIG. 8

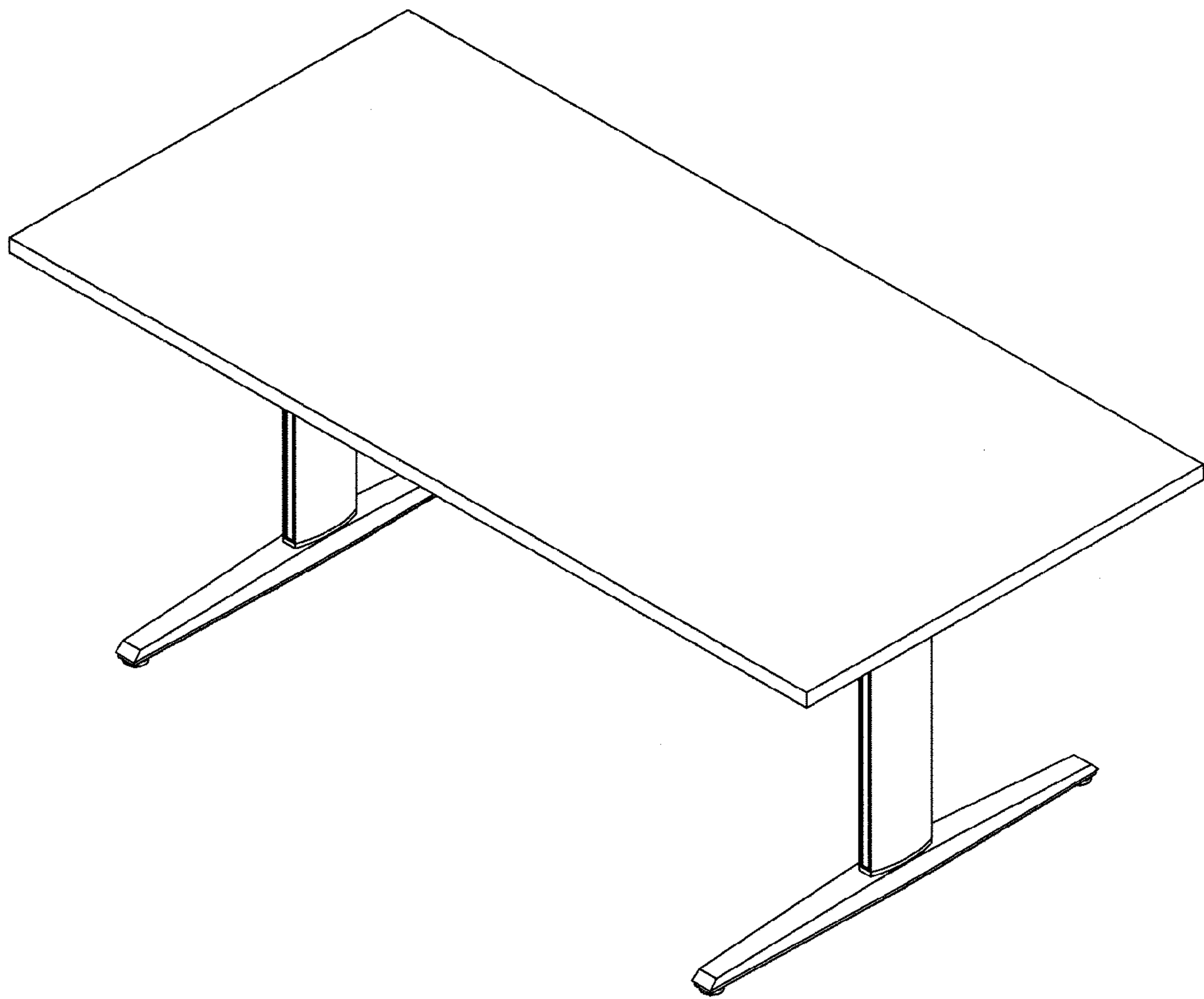


FIG. 9

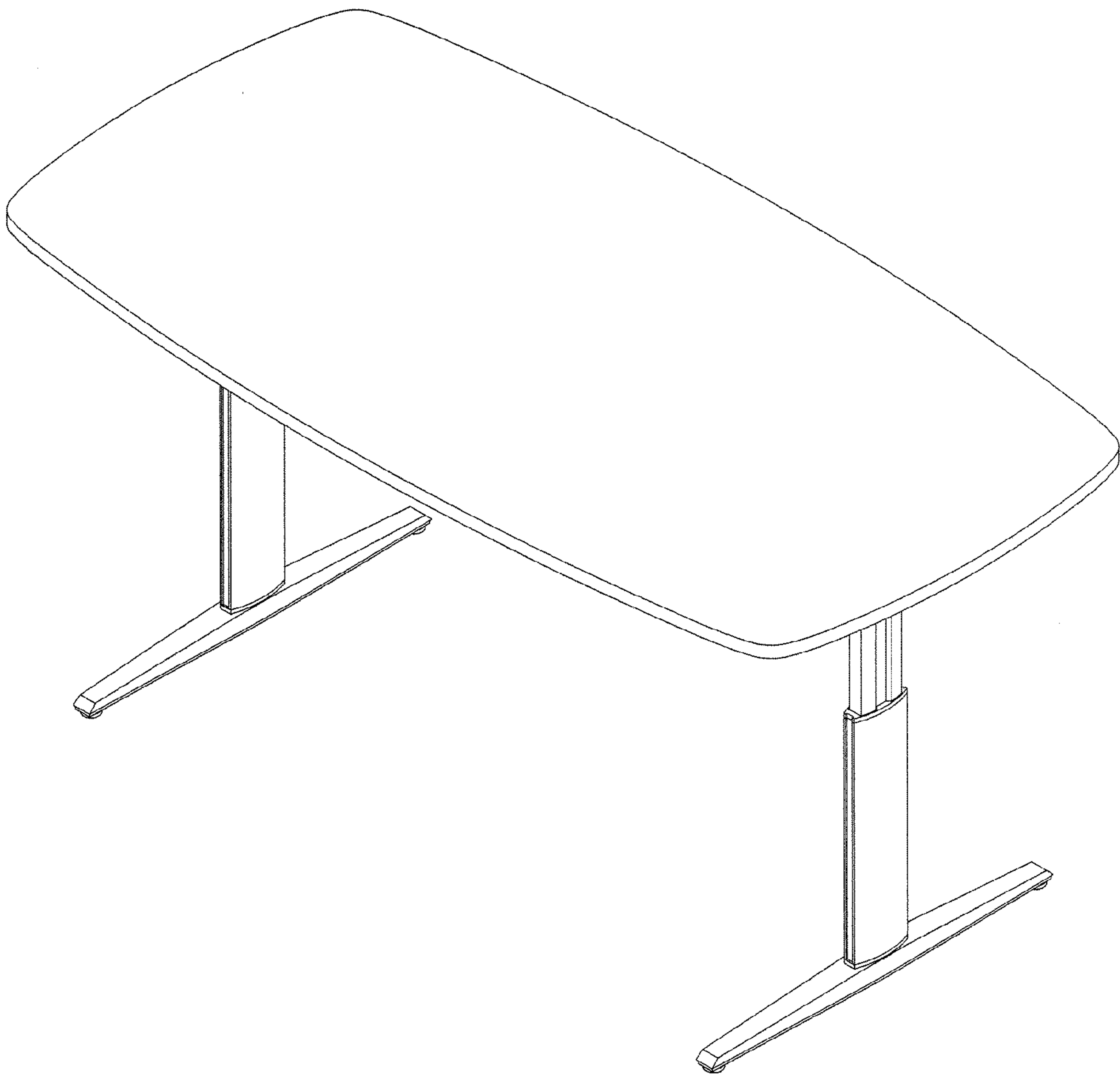


FIG. 10

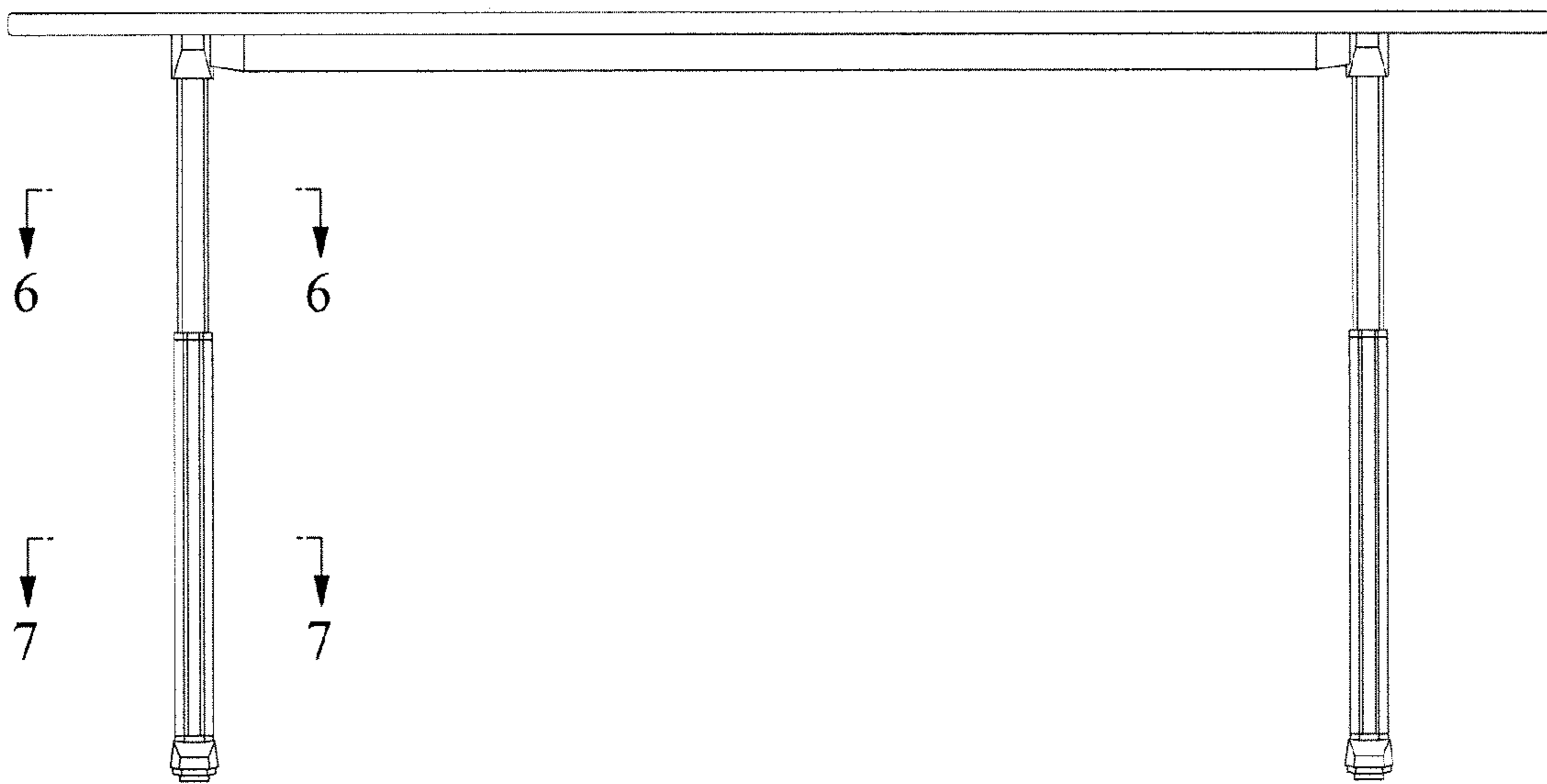


FIG. 11

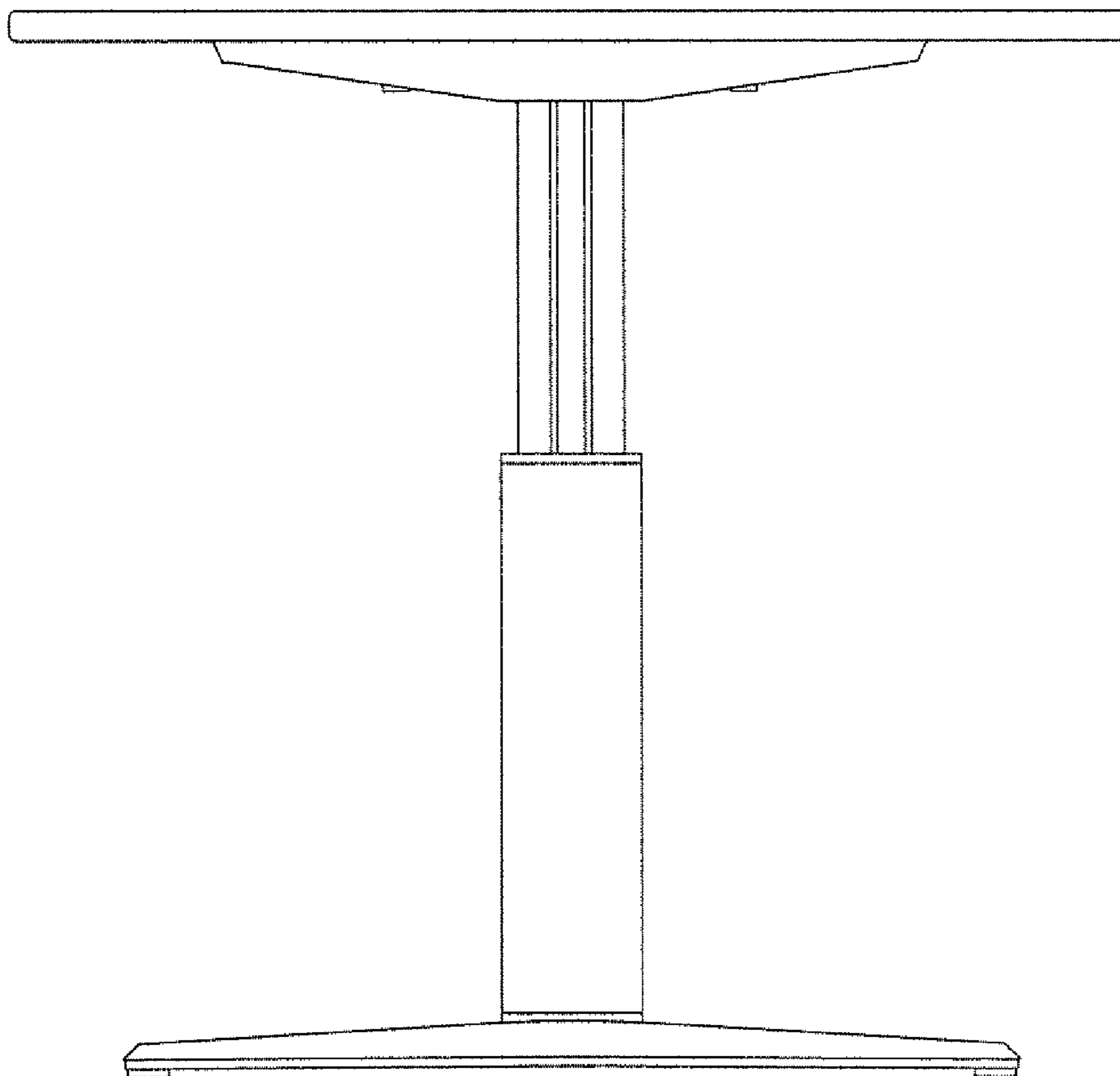


FIG. 12

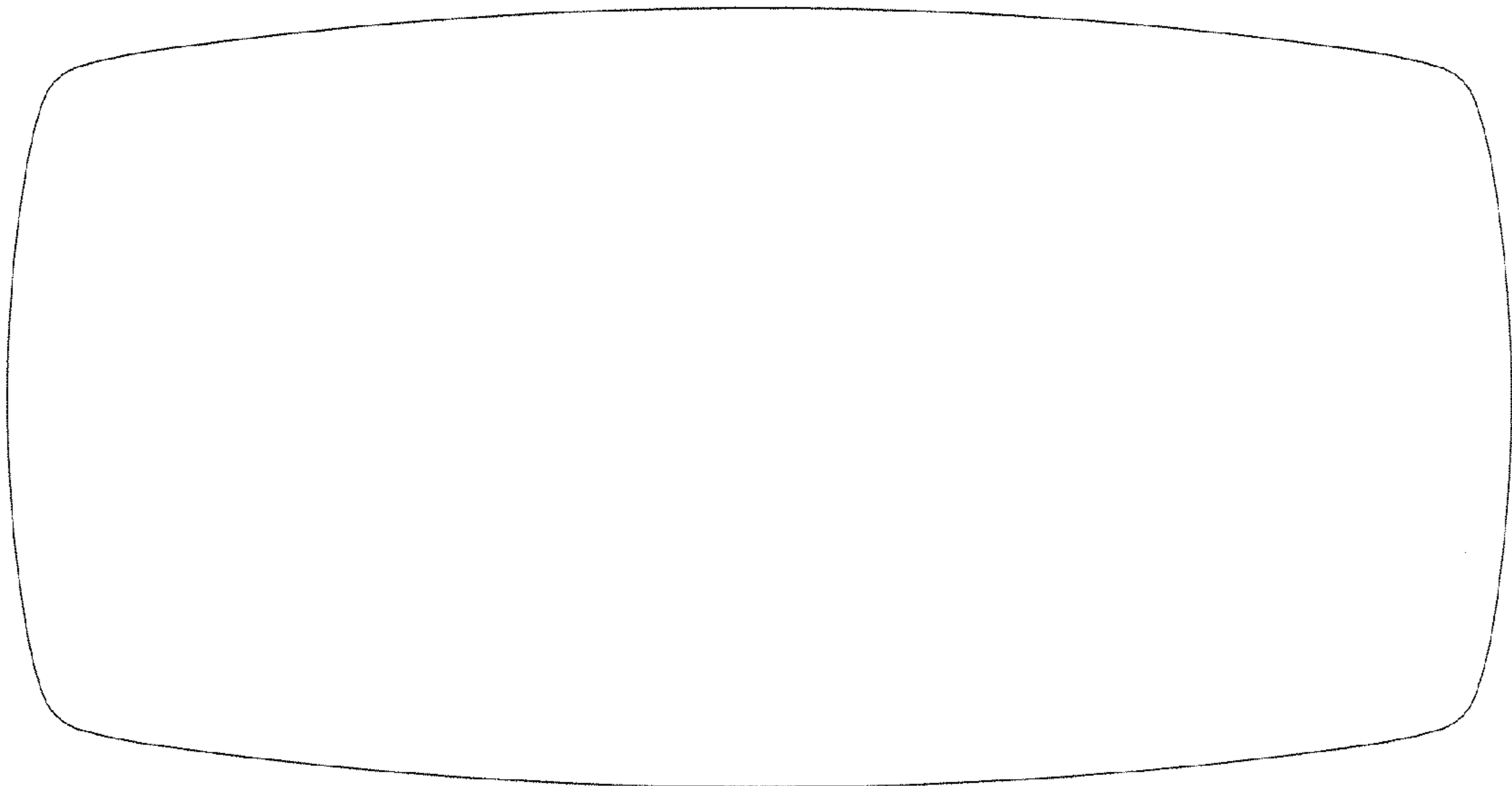


FIG. 13

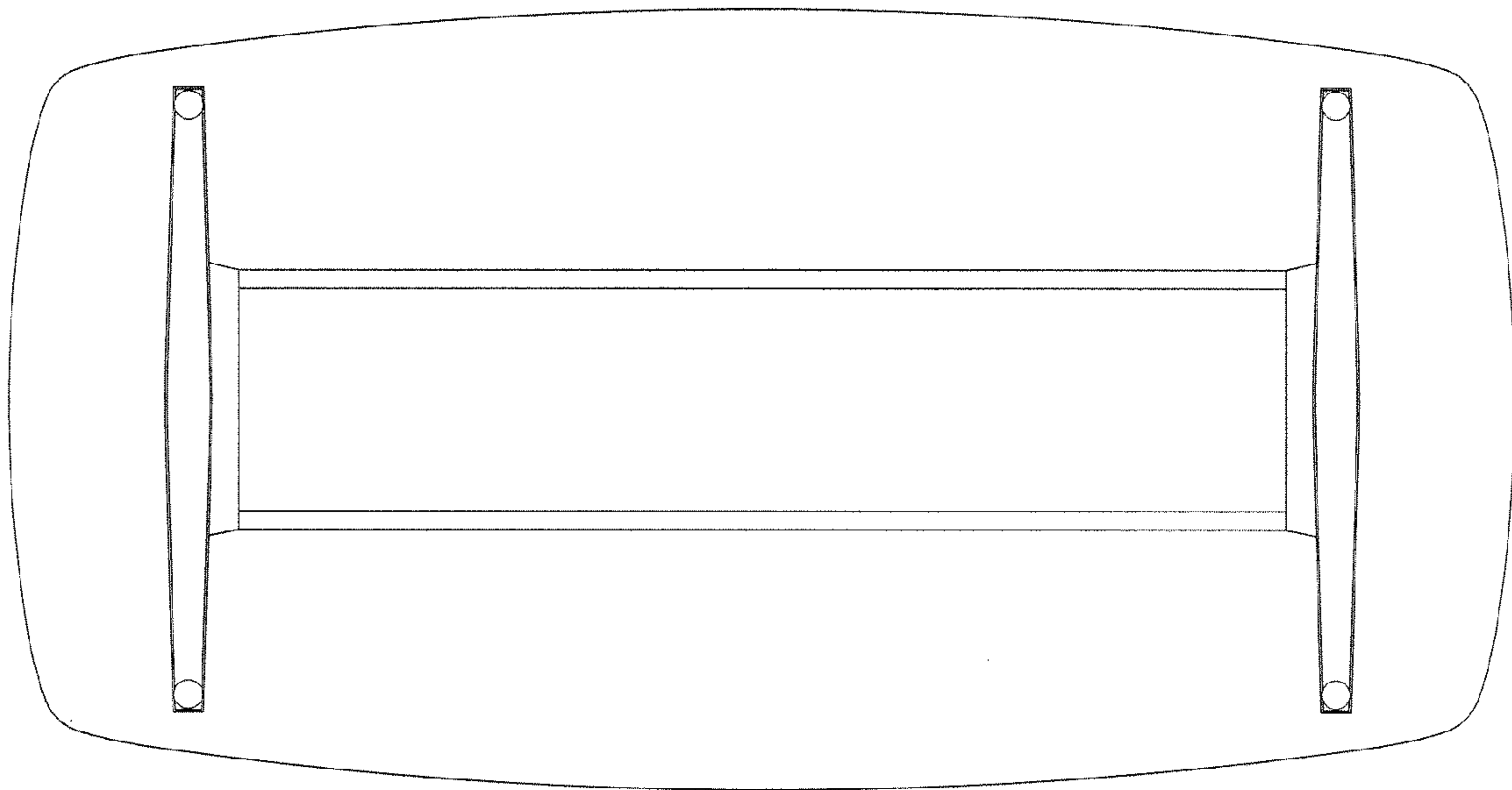


FIG. 14

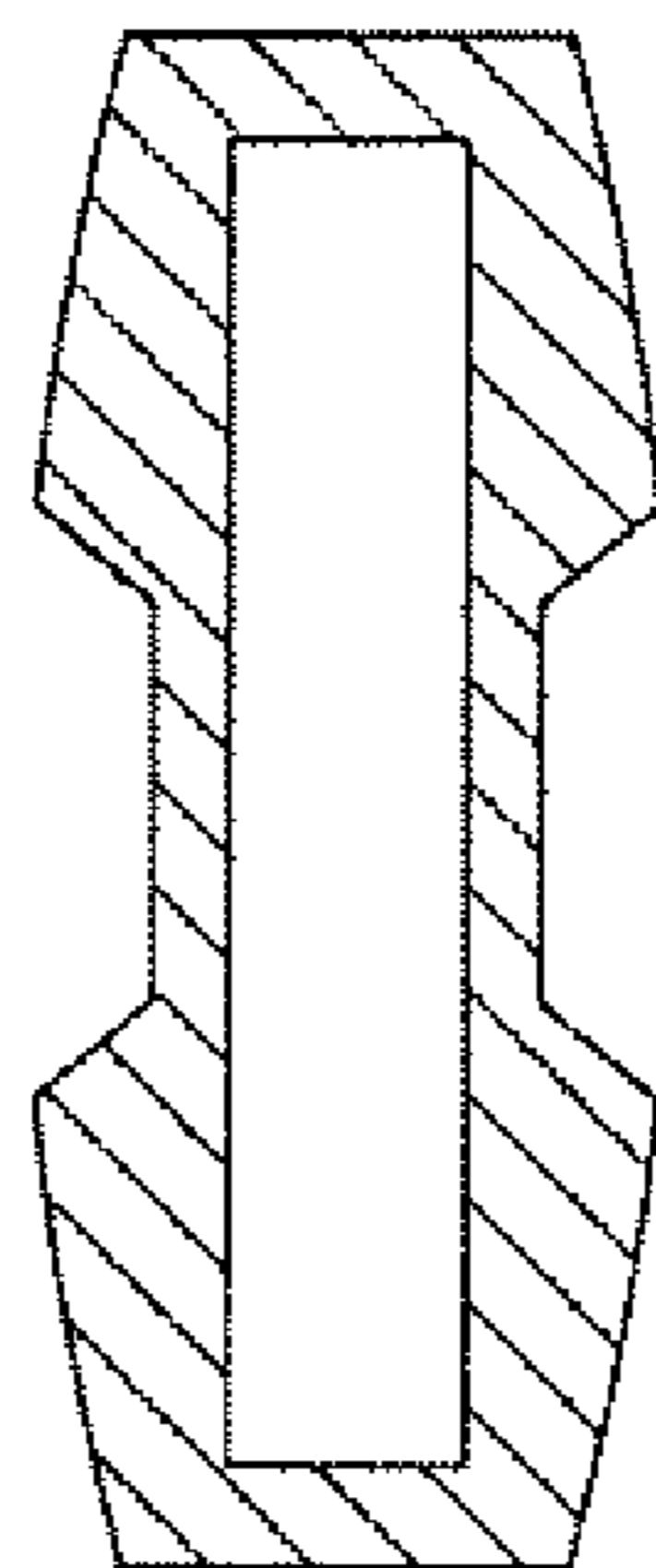


FIG. 15

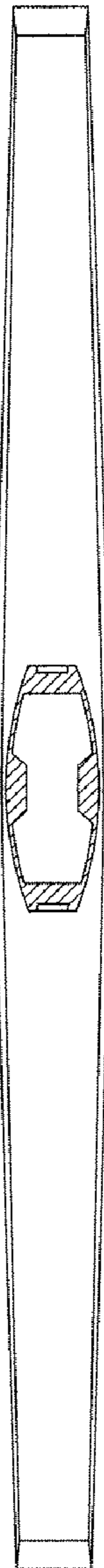


FIG. 16

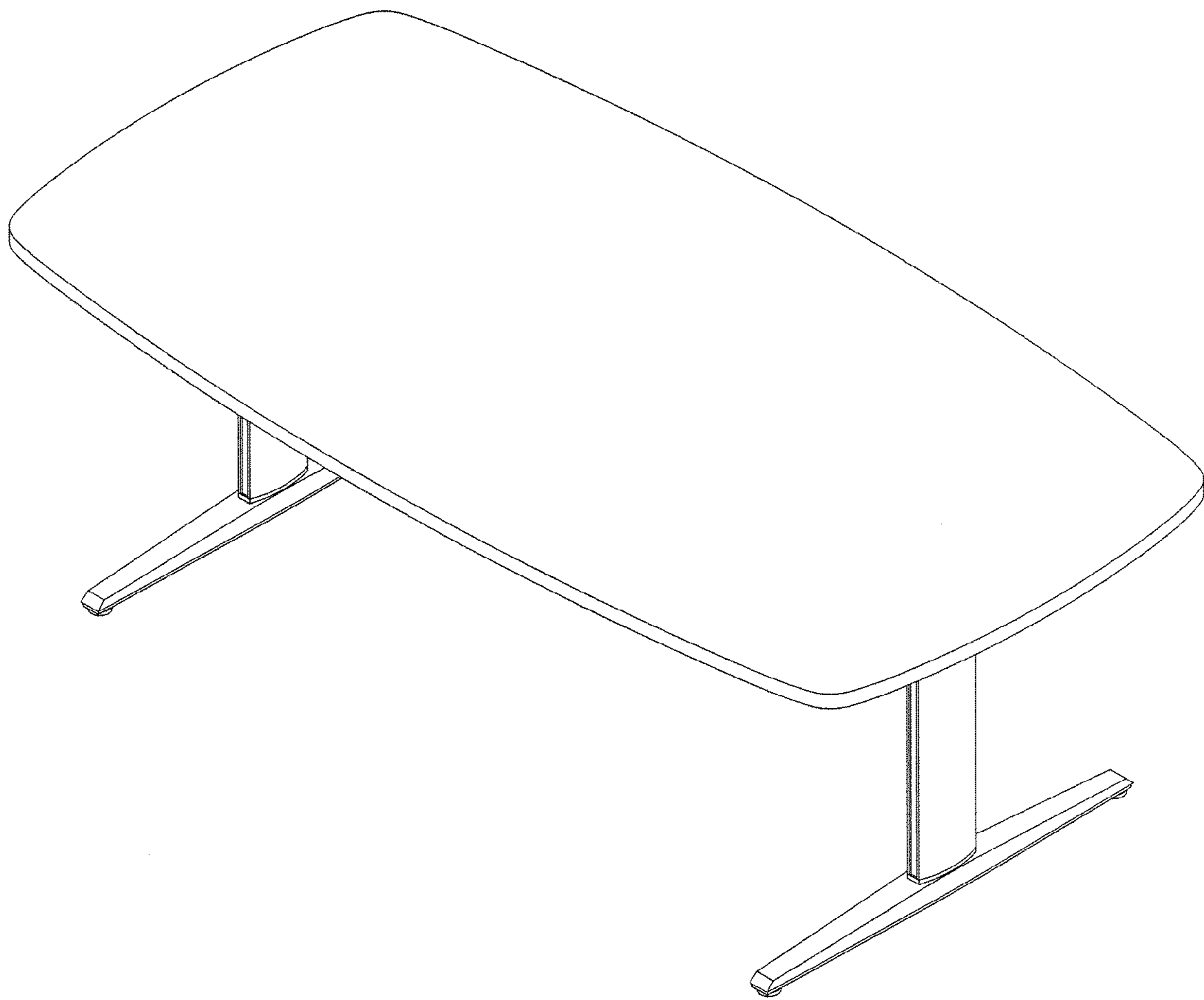


FIG. 17

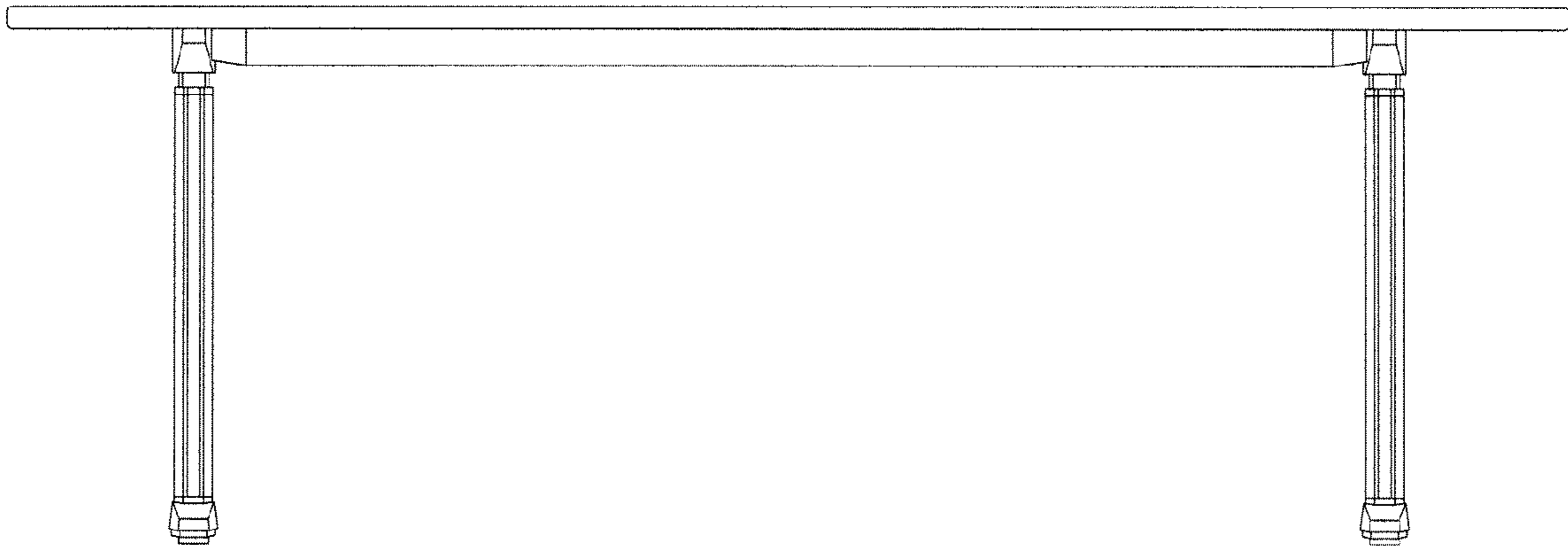


FIG. 18

