



US00D644043S

(12) **United States Design Patent**  
**Portnoy**

(10) **Patent No.:** **US D644,043 S**  
(45) **Date of Patent:** **\*\* Aug. 30, 2011**

- (54) **AUDIO VIDEO SHELVING UNIT**
- (75) Inventor: **Benjamin Portnoy**, Morton, PA (US)
- (73) Assignee: **Bell'O International Corp.**,  
Morganville, NJ (US)
- (\*\*) Term: **14 Years**
- (21) Appl. No.: **29/382,383**
- (22) Filed: **Jan. 3, 2011**
- (51) **LOC (9) Cl.** ..... **06-06**
- (52) **U.S. Cl.** ..... **D6/474**
- (58) **Field of Classification Search** ..... D6/470,  
D6/471, 474, 477-479, 460-461, 468; 108/59,  
108/91-92, 96; 211/40, 41.12, 42, 49.1,  
211/50, 85.2, 90.04, 187, 190; 206/307  
See application file for complete search history.

- D507,900 S 8/2005 Sexton
- D508,172 S 8/2005 Malizia et al.
- D515,337 S 2/2006 deCarolis
- D515,849 S 2/2006 Niu
- D516,838 S 3/2006 Portnoy
- D516,840 S 3/2006 deCarolis
- D516,847 S 3/2006 Stenhouse et al.
- D519,757 S 5/2006 Portnoy
- D524,080 S 7/2006 Stenhouse et al.
- D524,578 S 7/2006 Stenhouse et al.
- D525,052 S 7/2006 Malizia et al.
- D525,054 S 7/2006 Stenhouse et al.
- D527,208 S 8/2006 Malizia et al.

(Continued)

(56) **References Cited**

**U.S. PATENT DOCUMENTS**

- D454,731 S 3/2002 Niitsu et al.
- D458,053 S 6/2002 Luong
- D459,118 S 6/2002 Antonioni
- D472,073 S 3/2003 de Carolis
- D472,074 S 3/2003 de Carolis
- D472,075 S 3/2003 de Carolis
- D489,548 S 5/2004 Malizia et al.
- D491,748 S 6/2004 deCarolis
- D491,749 S 6/2004 Malizia et al.
- D491,750 S 6/2004 Bertoncini et al.
- D491,753 S 6/2004 deCarolis
- D492,860 S 7/2004 Bertoncini et al.
- D493,982 S 8/2004 deCarolis
- D496,807 S 10/2004 deCarolis
- D497,060 S 10/2004 Chang et al.
- D497,061 S 10/2004 Decarolis
- D505,573 S 5/2005 Malizia
- D506,329 S 6/2005 Sexton
- D507,128 S \* 7/2005 Choo ..... D6/477
- D507,433 S 7/2005 Portnoy

**OTHER PUBLICATIONS**

Bell'O Jun. 2005 Product Catalog.

*Primary Examiner* — Elizabeth Albert

*Assistant Examiner* — Kelley Donnelly

(74) *Attorney, Agent, or Firm* — Lerner, David, Littenberg,  
Krumholz & Mentlik, LLP

(57) **CLAIM**

The ornamental design for audio video shelving unit, as shown and described.

**DESCRIPTION**

FIG. 1 is a front perspective view of the subject audio video shelving unit;

FIG. 2 is a front view thereof;

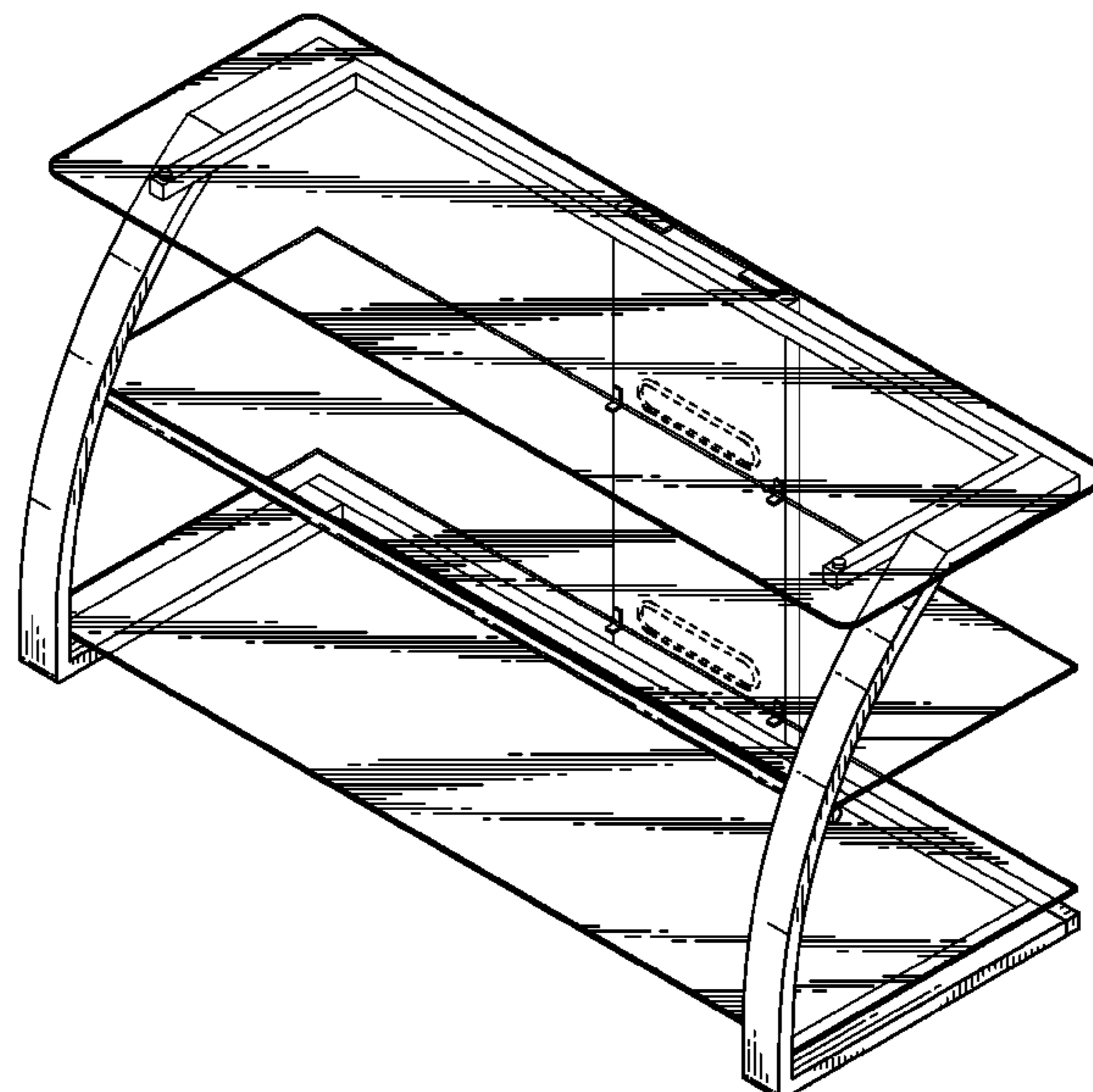
FIG. 3 is a rear view thereof;

FIG. 4 is a top plan view thereof; and,

FIG. 5 is a right side view thereof (the left side view is a mirror image of the right side view).

The broken lines of the openings on the rear support panel in FIGS. 1, 2, and 3 are shown for the purpose of illustrating the environment of the "audio video shelving unit" only and form no part of the claimed design.

**1 Claim, 5 Drawing Sheets**



# US D644,043 S

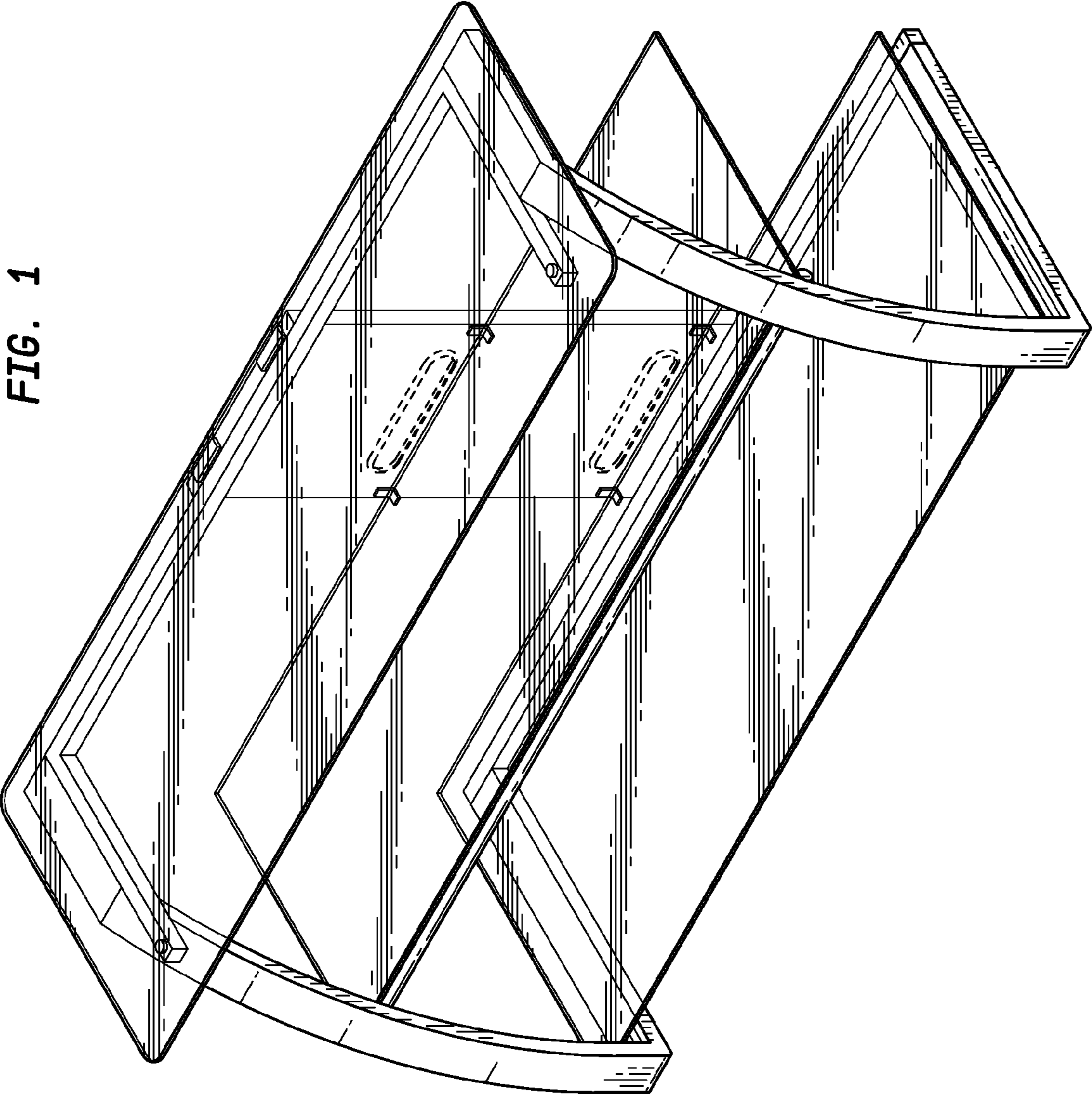
Page 2

## U.S. PATENT DOCUMENTS

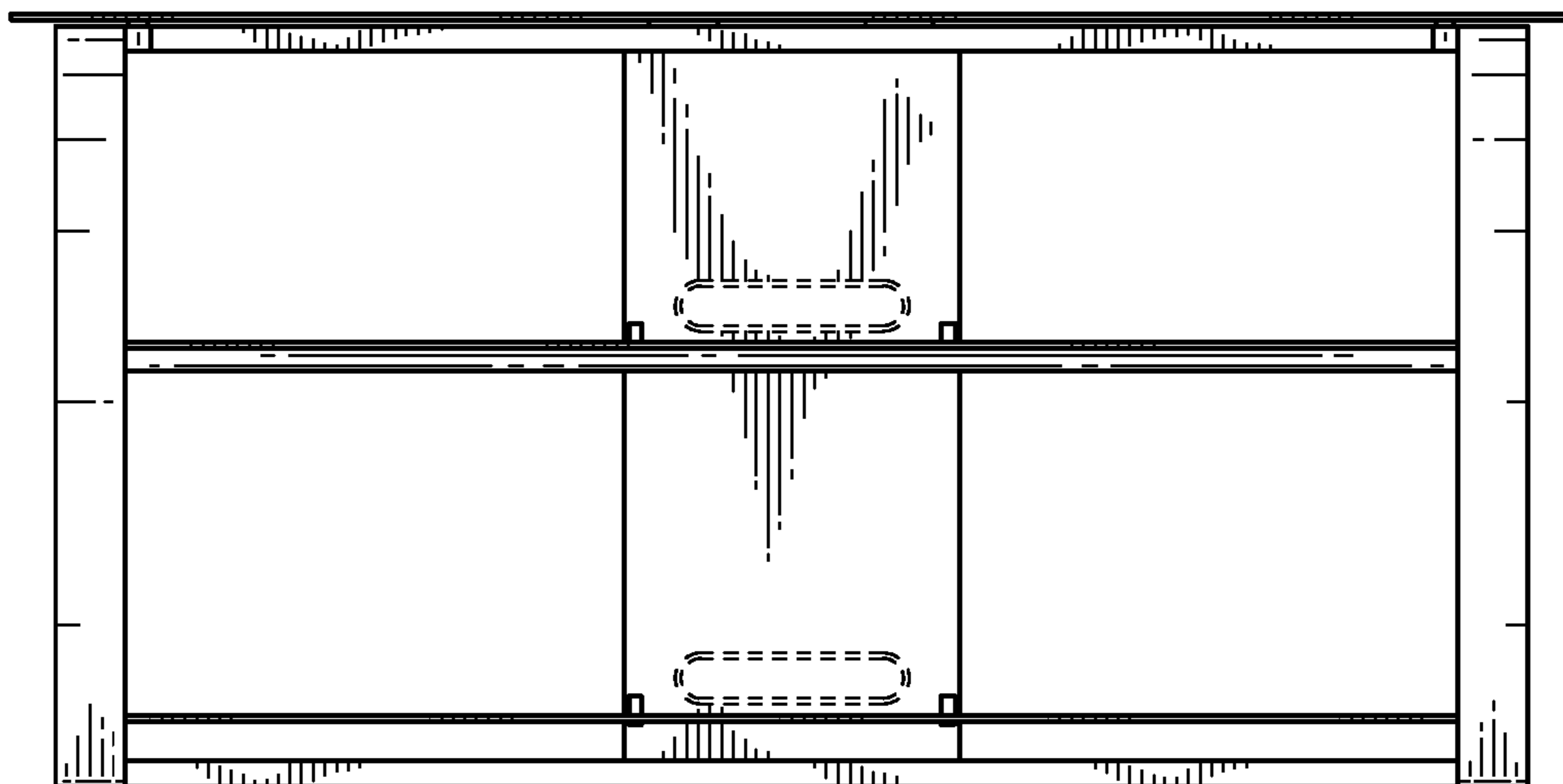
D535,497 S	1/2007	Portnoy	D572,944 S *	7/2008	Sexton .....	D6/477
D537,656 S	3/2007	Stenhouse et al.	D587,483 S	3/2009	Zambelli	
D540,067 S	4/2007	Chung	D587,496 S	3/2009	Weitz	
D542,059 S	5/2007	Moyle et al.	D587,497 S	3/2009	Zambelli	
D543,729 S	6/2007	Weatherly	D589,280 S	3/2009	Zambelli	
D549,991 S	9/2007	Stravitz	D590,636 S	4/2009	Ou Yang et al.	
D554,393 S	11/2007	Yalif	D590,637 S	4/2009	Portnoy	
D555,397 S	11/2007	Yalif	D592,428 S	5/2009	Zambelli	
D559,583 S	1/2008	Zambelli	D594,248 S	6/2009	Zambelli	
D559,584 S	1/2008	Zambelli	D595,978 S	7/2009	Portnoy et al.	
D560,077 S	1/2008	Zambelli	D599,584 S	9/2009	Zambelli	
D560,401 S	1/2008	Hoglan et al.	D604,251 S	11/2009	Hwang	
D562,593 S	2/2008	Zambelli	D605,874 S	12/2009	Zambelli	
D563,695 S	3/2008	Yamaguchi	D607,671 S *	1/2010	Sexton .....	D6/479
D564,260 S	3/2008	deCarolis	D609,942 S *	2/2010	Sexton .....	D6/477
D564,261 S	3/2008	Sculler	D610,836 S	3/2010	Kohler	
D564,789 S	3/2008	deCarolis	D611,728 S *	3/2010	Nielsen .....	D6/449
D564,796 S	3/2008	Zambelli	D630,870 S *	1/2011	Sexton .....	D6/477
D564,797 S	3/2008	Yamaguchi	D631,265 S *	1/2011	Sexton .....	D6/477

\* cited by examiner

FIG. 1



*FIG. 2*



*FIG. 3*

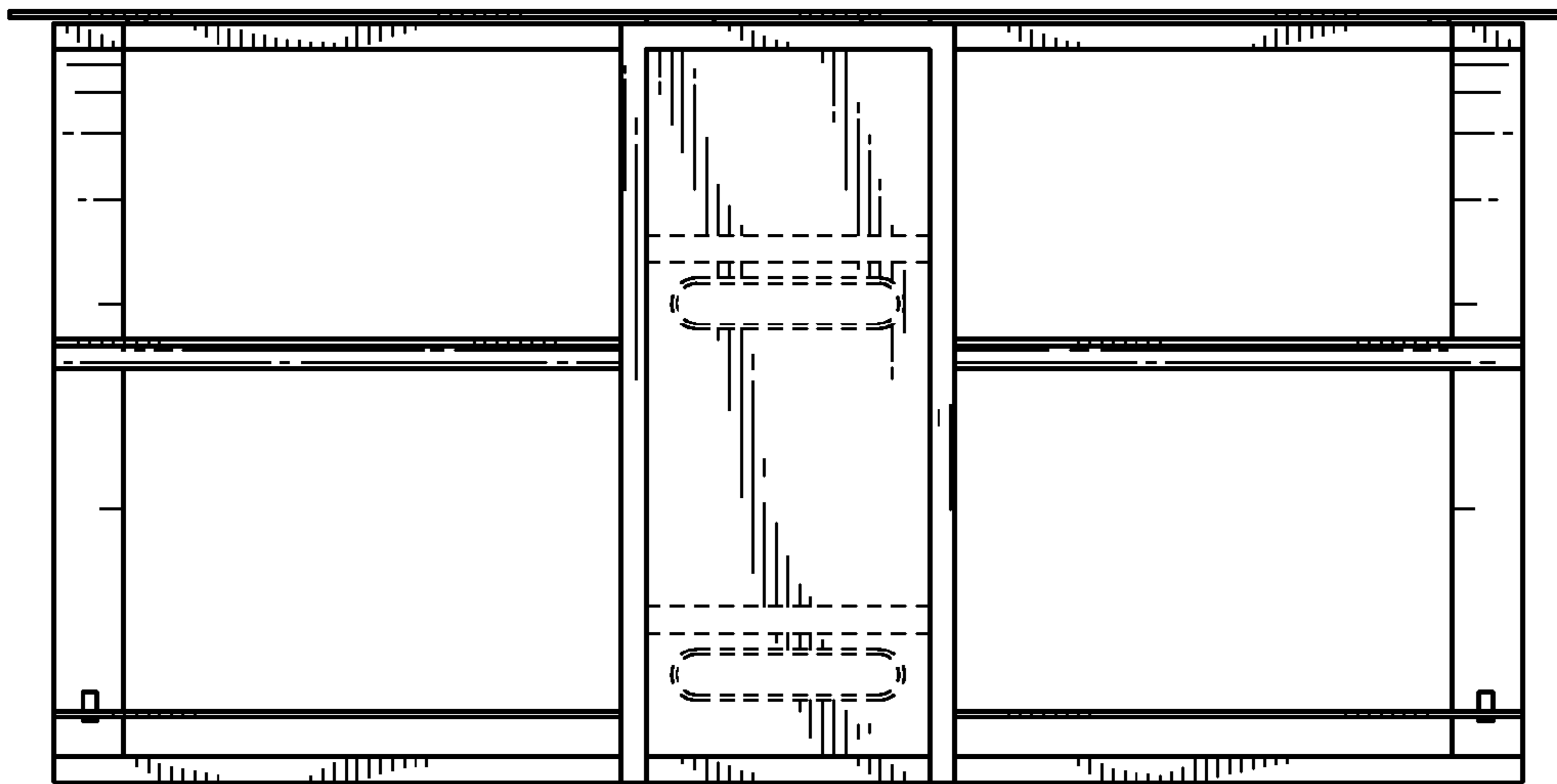
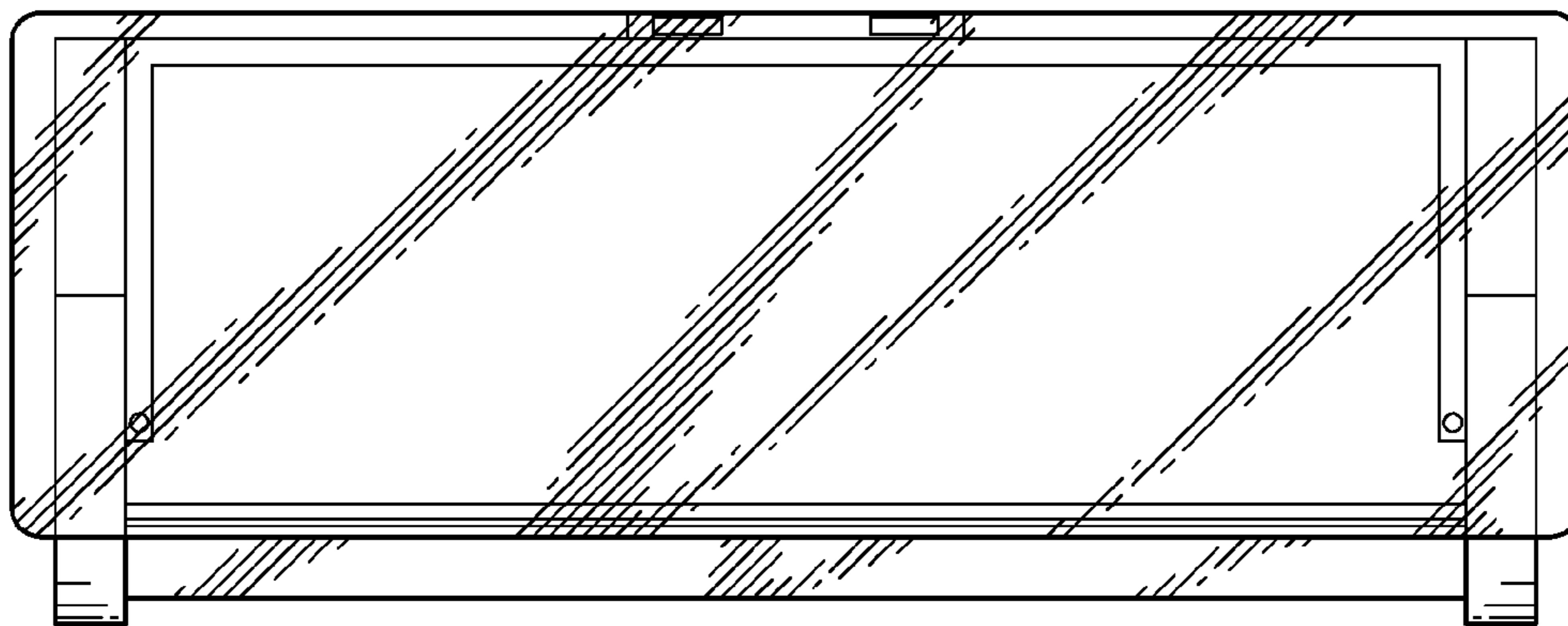




FIG. 4



**FIG. 5**

