



US00D644041S

(12) **United States Design Patent**
Bugio

(10) **Patent No.:** **US D644,041 S**

(45) **Date of Patent:** **** Aug. 30, 2011**

(54) **BASKET STAND**

(76) Inventor: **Antonio S. Bugio**, Katy, TX (US)

(**) Term: **14 Years**

(21) Appl. No.: **29/375,290**

(22) Filed: **Sep. 20, 2010**

(51) **LOC (9) Cl.** **06-04**

(52) **U.S. Cl.** **D6/462; D6/403**

(58) **Field of Classification Search** D6/329,
D6/396, 403-405, 449, 462, 466, 475, 490,
D6/512-514, 566; D11/143-156; D7/628;
211/13.1, 71.01, 106, 113, 133.1-133.3,
211/181.1; 47/32.7, 33, 39, 41.01, 41.1,
47/41.11-41.15, 44-47, 65.5, 65.9, 66.1,
47/66.6, 66.7, 67-71

See application file for complete search history.

(56) **References Cited**

U.S. PATENT DOCUMENTS

D88,581 S *	12/1932	Scott et al.	D6/403
D244,407 S *	5/1977	Gass	D6/403
D251,042 S *	2/1979	Handler et al.	D6/405
D335,401 S *	5/1993	Nations	D6/462

D466,656 S *	12/2002	Kuelbs et al.	D6/403
D504,790 S *	5/2005	Ramsey	D6/403
D589,719 S *	4/2009	Cute	D6/404
D633,755 S *	3/2011	Guindi	D7/628

* cited by examiner

Primary Examiner — Brian N Vinson

(74) *Attorney, Agent, or Firm* — QuickPatents, Inc.; Kevin Prince

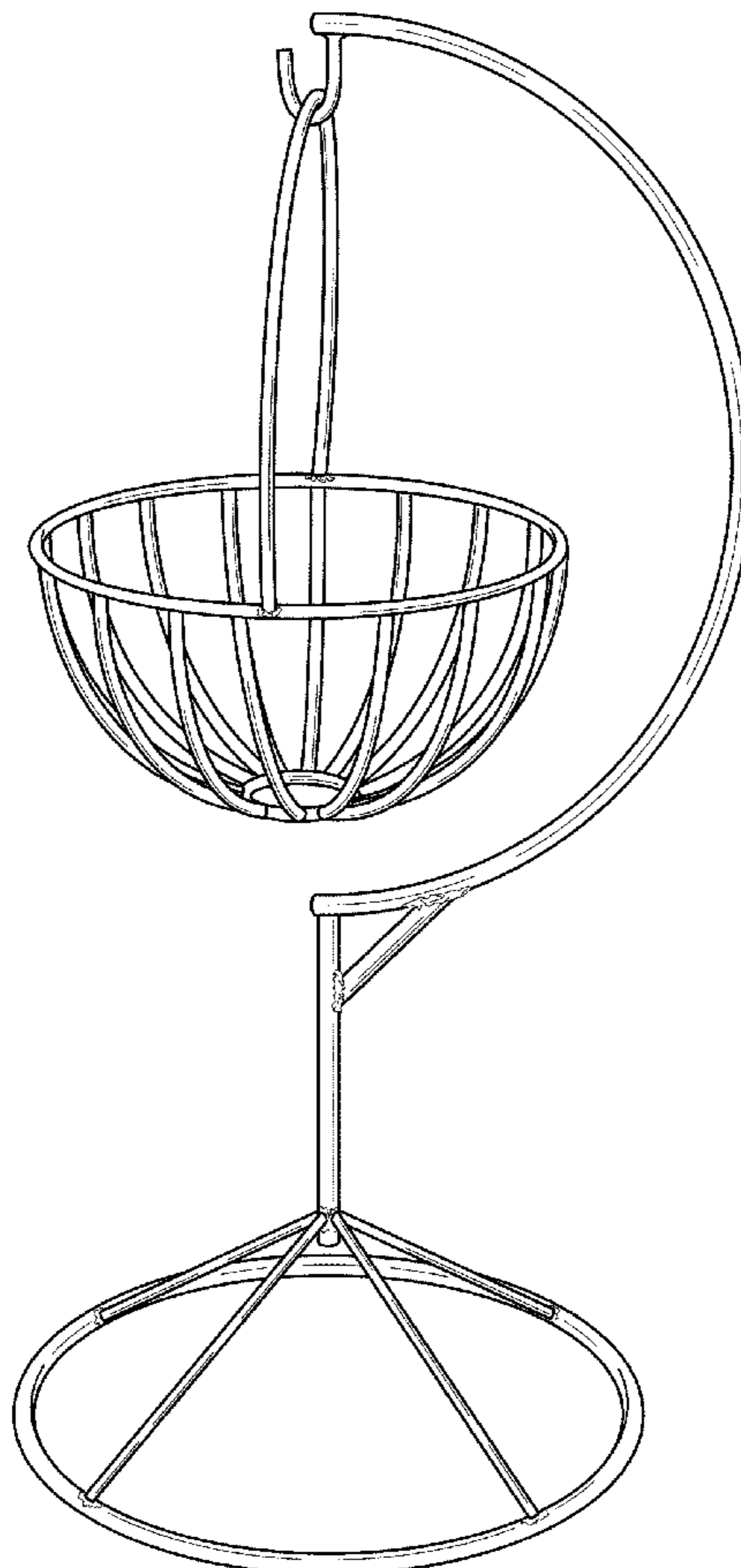
(57) **CLAIM**

What is claimed is the ornamental design for a basket stand, as shown and described.

DESCRIPTION

FIG. 1 is an exploded perspective view of a basket stand, showing the new design;
FIG. 2 is a perspective view thereof;
FIG. 3 is a front elevational view thereof;
FIG. 4 is a rear elevational view thereof;
FIG. 5 is a left-side elevational view thereof, the right-side elevational view being a mirror image thereof;
FIG. 6 is a top plan view thereof; and,
FIG. 7 is a bottom plan view thereof.

1 Claim, 5 Drawing Sheets



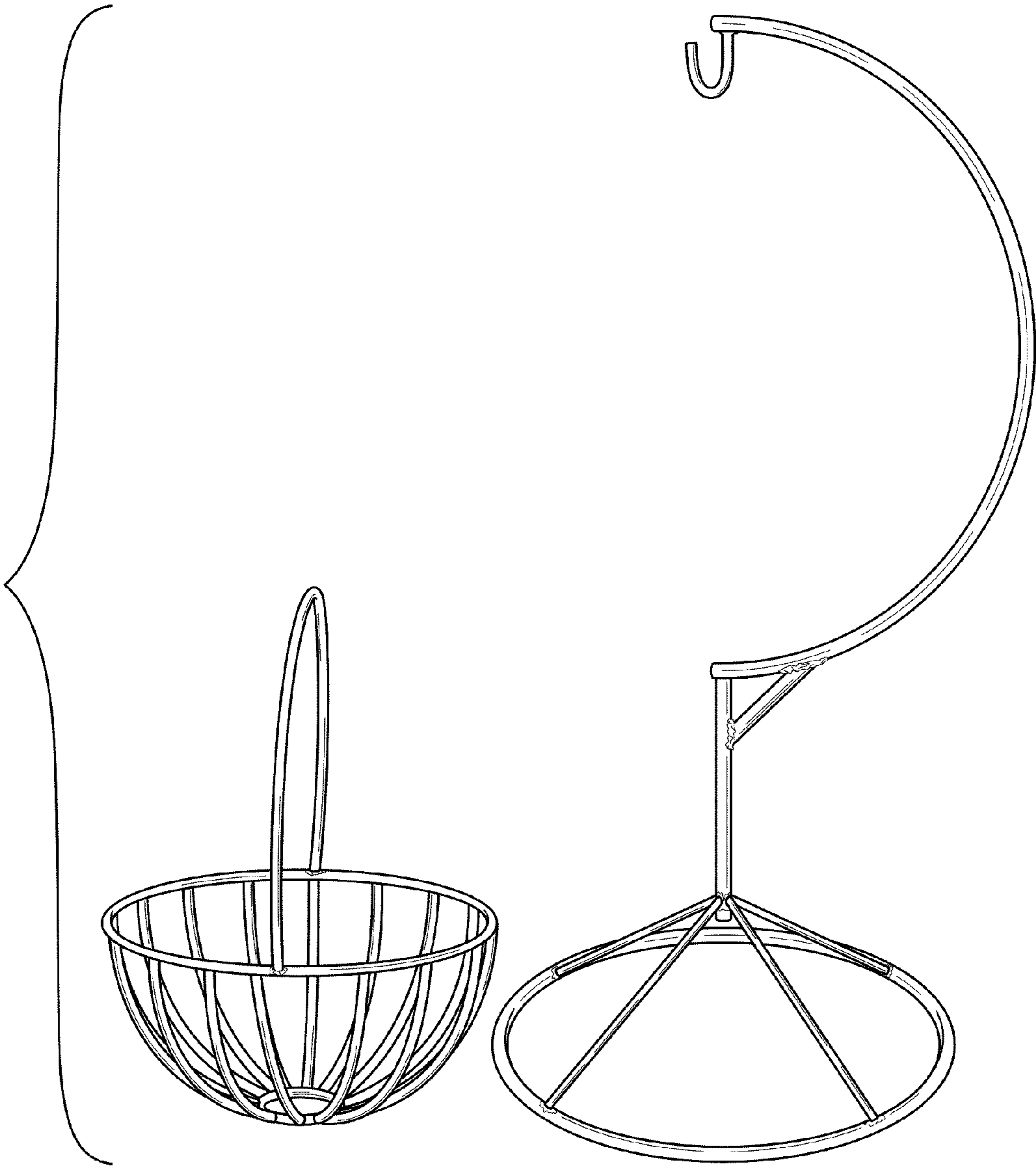


FIG.1

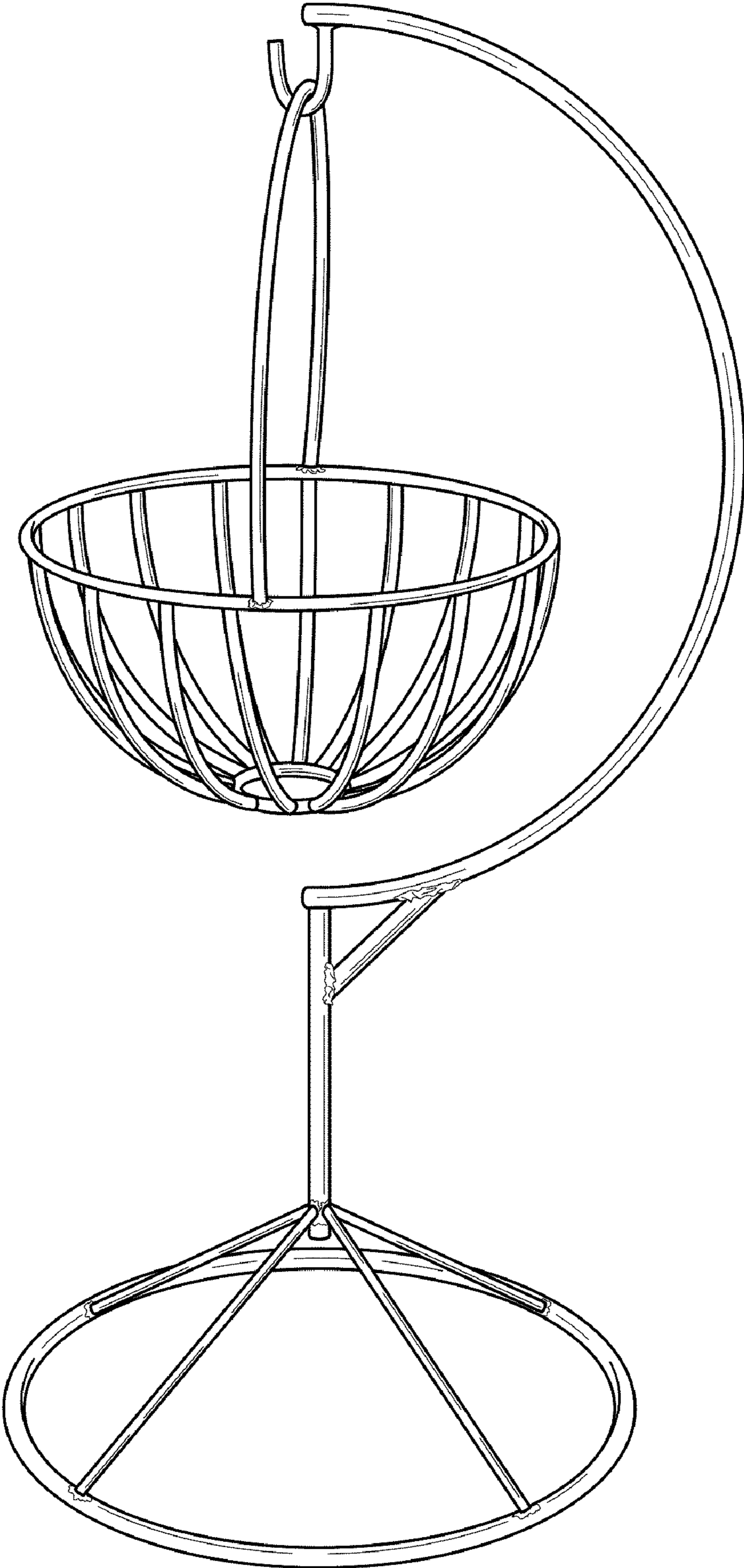


FIG.2

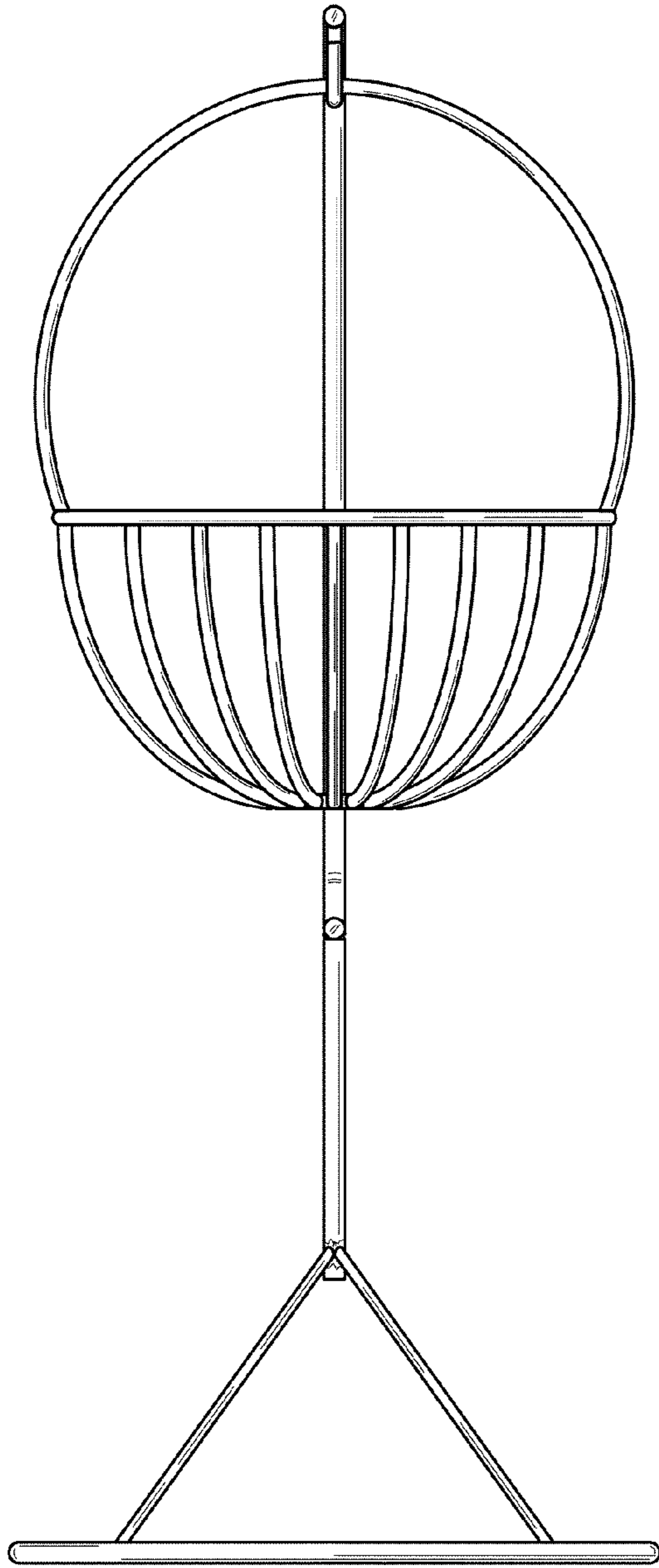


FIG.3

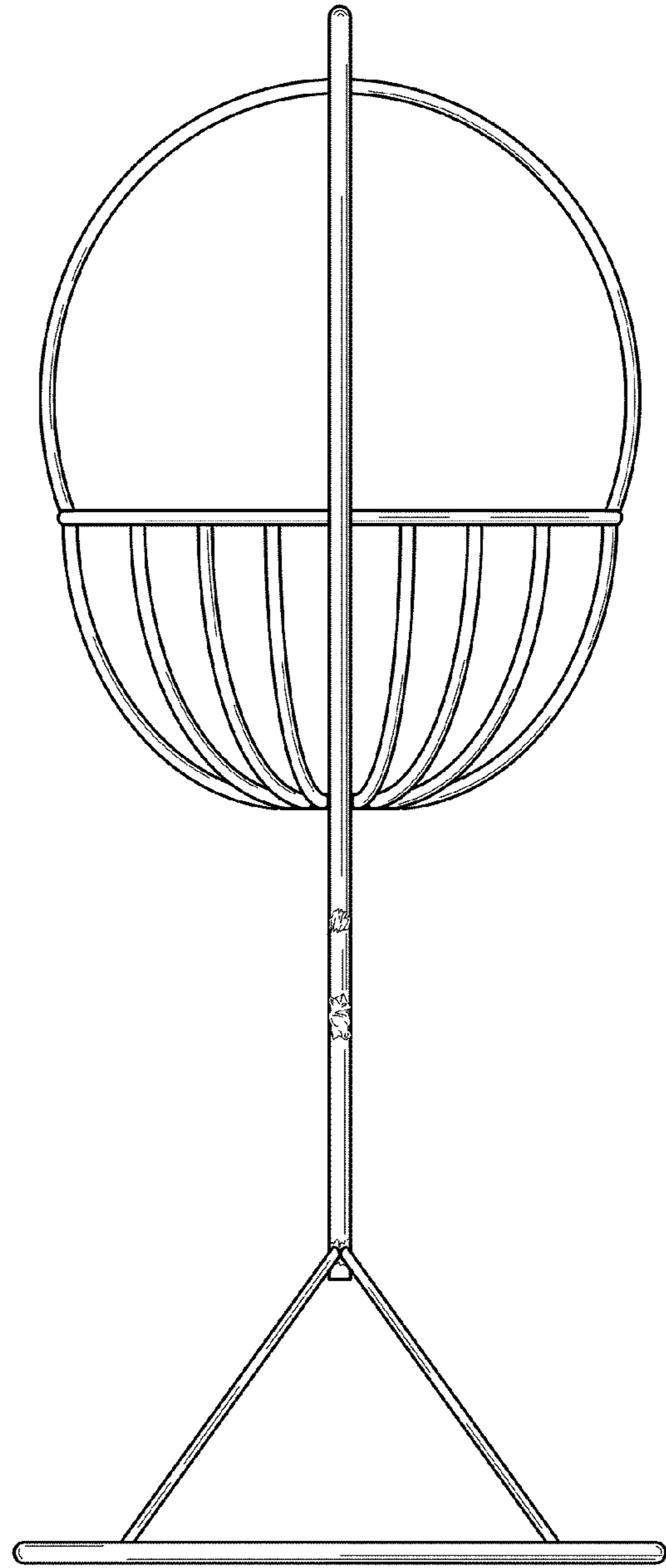


FIG.4

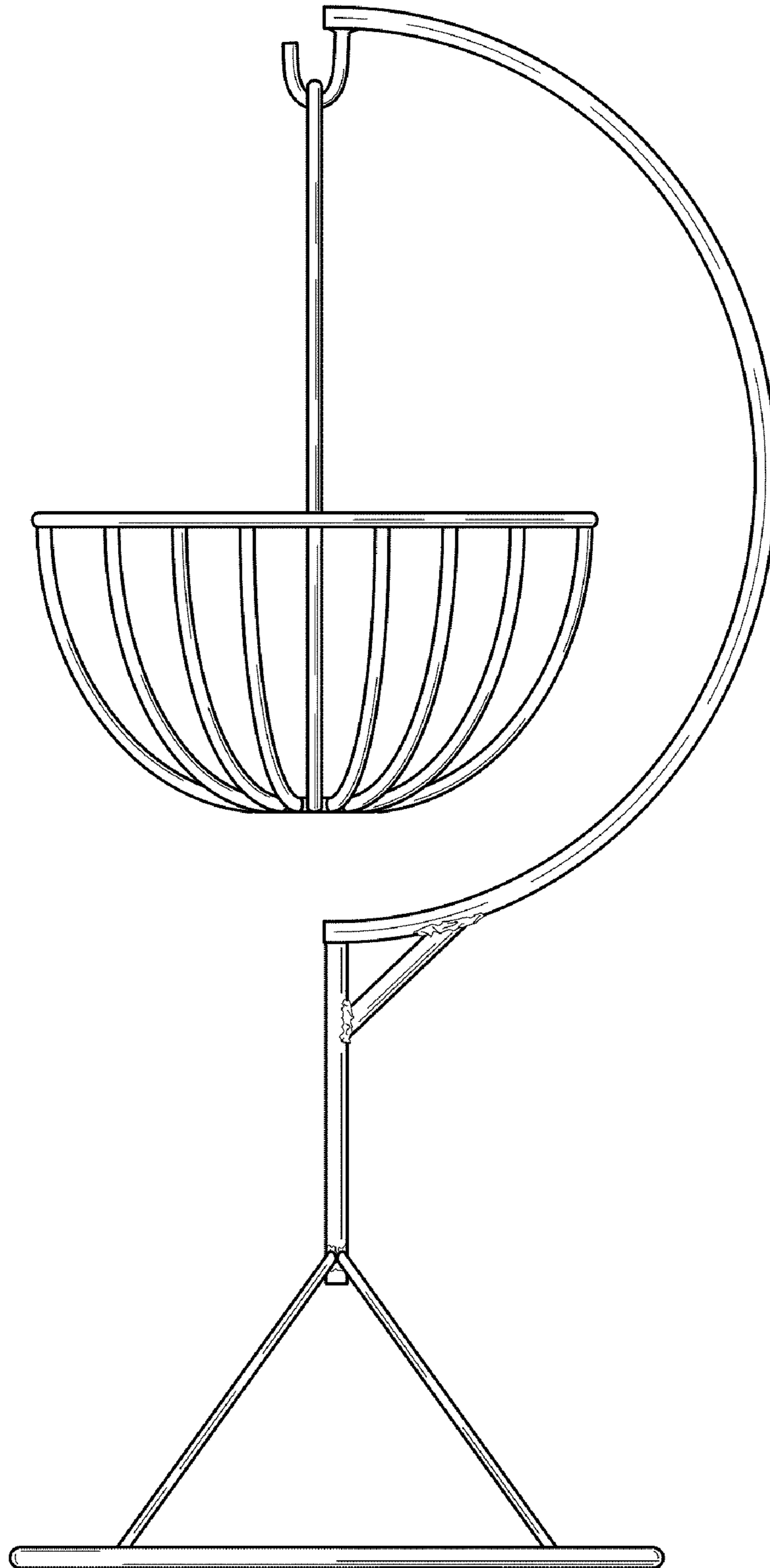


FIG.5

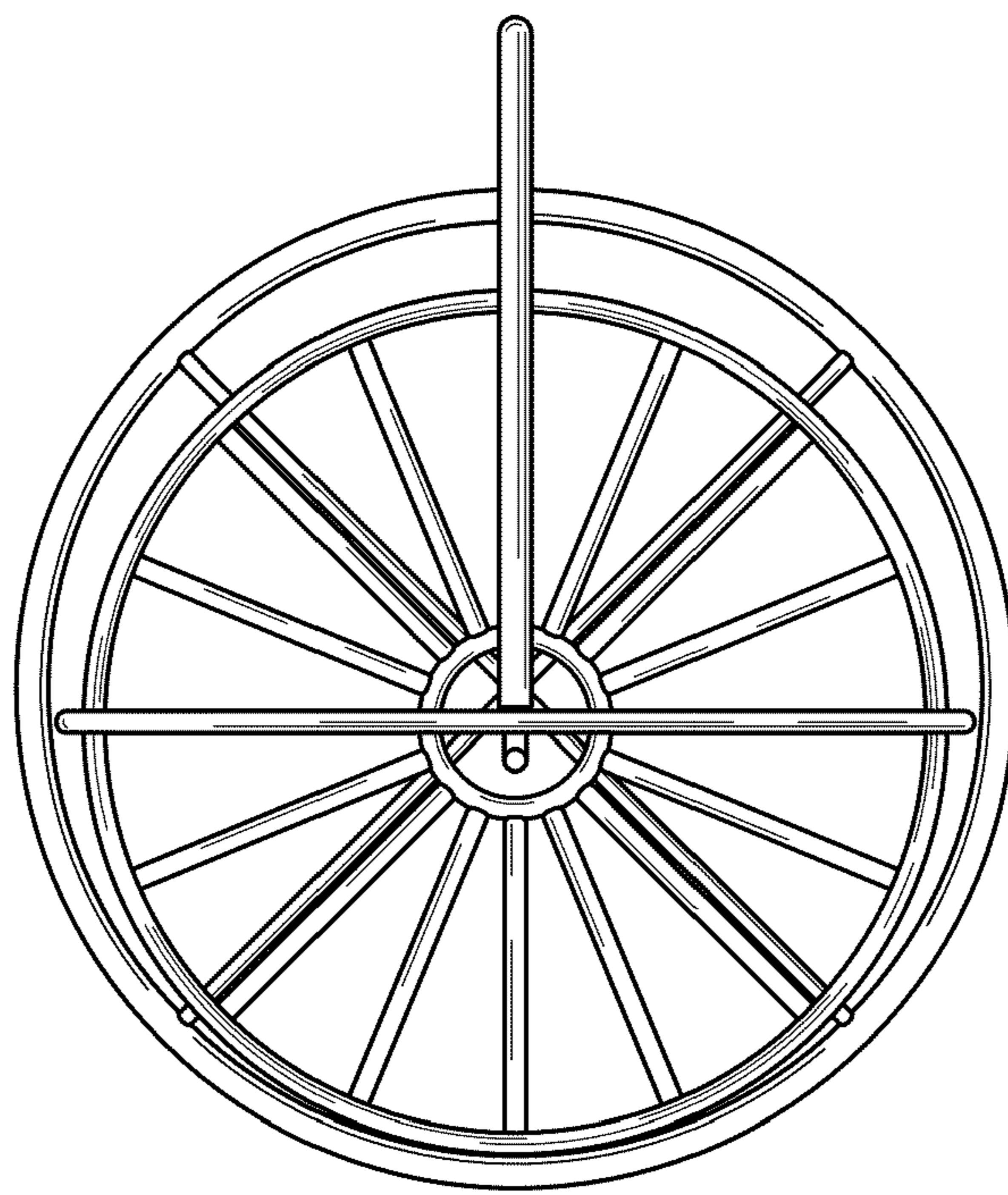


FIG. 6

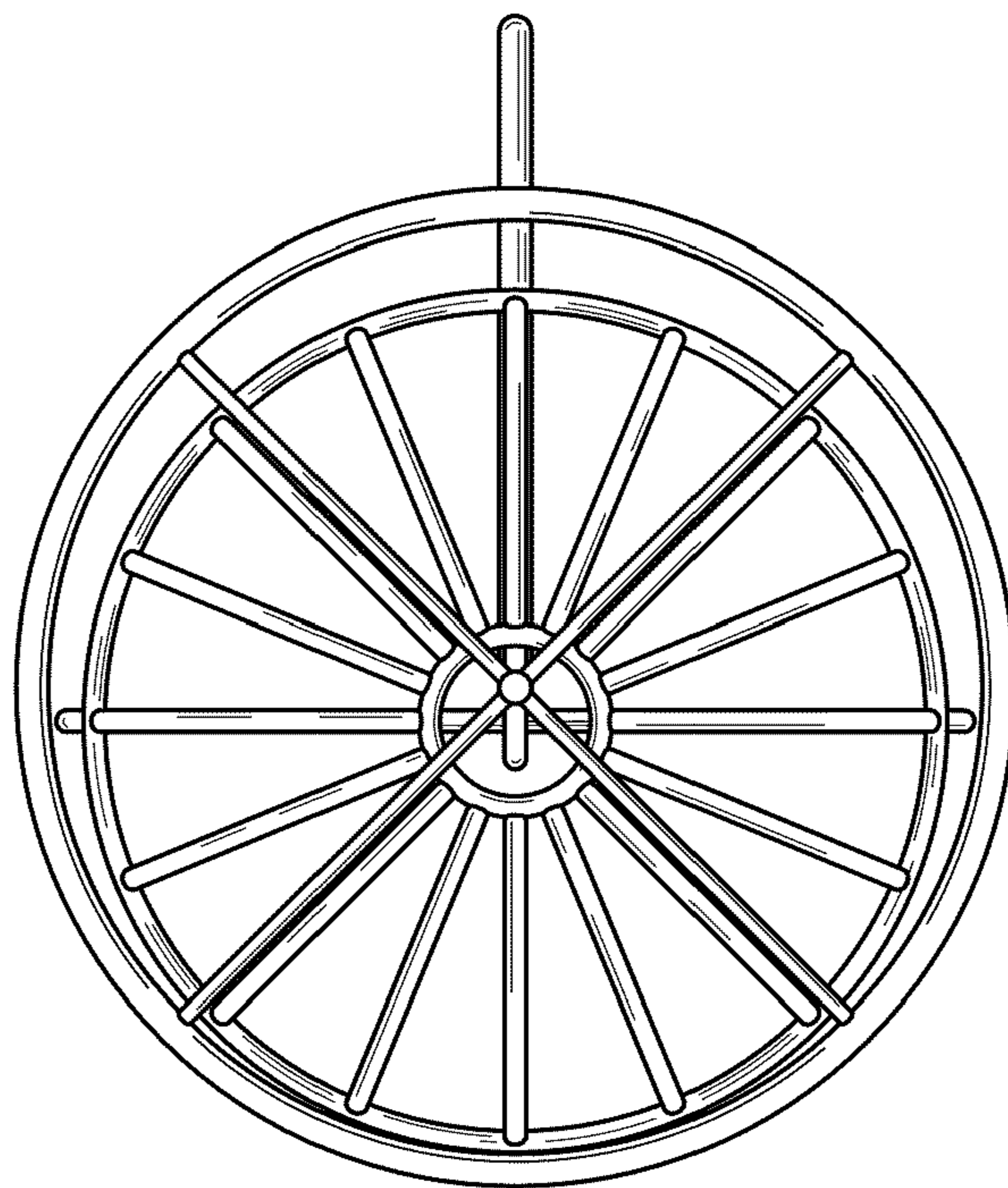


FIG. 7