



US00D644033S

(12) **United States Design Patent**  
**Weichselbaumer**

(10) **Patent No.:** **US D644,033 S**

(45) **Date of Patent:** **\*\* Aug. 30, 2011**

(54) **LOUNGE FURNITURE**

(76) Inventor: **Joachim Weichselbaumer**, Vienna (AT)

(\*\*) Term: **14 Years**

(21) Appl. No.: **29/362,285**

(22) Filed: **May 22, 2010**

(30) **Foreign Application Priority Data**

Mar. 16, 2010 (EM) ..... 001 682006-0003

(51) **LOC (9) Cl.** ..... **06-01**

(52) **U.S. Cl.** ..... **D6/361**

(58) **Field of Classification Search** ..... D6/334,  
D6/335, 336, 361, 374, 375, 500, 501, 502,  
D6/596, 601; 297/232, 325, 391, 423.1,  
297/452.12, 452.17, 452.19, 900, DIG. 1;  
5/630, 652

See application file for complete search history.

(56) **References Cited**

**U.S. PATENT DOCUMENTS**

D176,045 S *	11/1955	Sherman	.....	D6/361
D183,790 S *	10/1958	Deaton	.....	D6/361
D217,449 S *	5/1970	Meyer	.....	D6/361
D219,212 S *	11/1970	Eames	.....	D6/361
D228,428 S *	9/1973	Wilson	.....	D6/361
4,066,293 A *	1/1978	Meier	.....	297/325
D300,390 S *	3/1989	Soley	.....	D6/361
D335,036 S *	4/1993	Simmons	.....	D6/361
D352,635 S *	11/1994	Yoder	.....	D6/611
D381,524 S *	7/1997	Gabriel	.....	D6/361
6,059,365 A *	5/2000	Diamond	.....	297/900

D445,576 S *	7/2001	Hanson	.....	D6/361
D490,618 S *	6/2004	Green et al.	.....	D6/361
D562,578 S *	2/2008	Weiss	.....	D6/361

\* cited by examiner

*Primary Examiner* — Mimosa De

(74) *Attorney, Agent, or Firm* — Smartpat PLC; Axel Nix

(57) **CLAIM**

I claim the ornamental design for a lounge furniture, as shown and described.

**DESCRIPTION**

This application is related to my concurrently filed applications Ser. No. 29/362,284, Ser. No. 29/362,286, and Ser. No. 29/362,287, each of which is also entitled lounge furniture.

FIG. 1 is a perspective view of a first embodiment of a lounge furniture showing my new design;

FIG. 2 is a front view thereof;

FIG. 3 is a rear view thereof;

FIG. 4 is a right side view of the lounge furniture of FIG. 1, the left side view being a mirror image thereof;

FIG. 5 is a top view thereof;

FIG. 6 is a bottom view thereof;

FIG. 7 is a perspective view of a second embodiment of a lounge furniture showing my new design with a headrest;

FIG. 8 is a front view thereof;

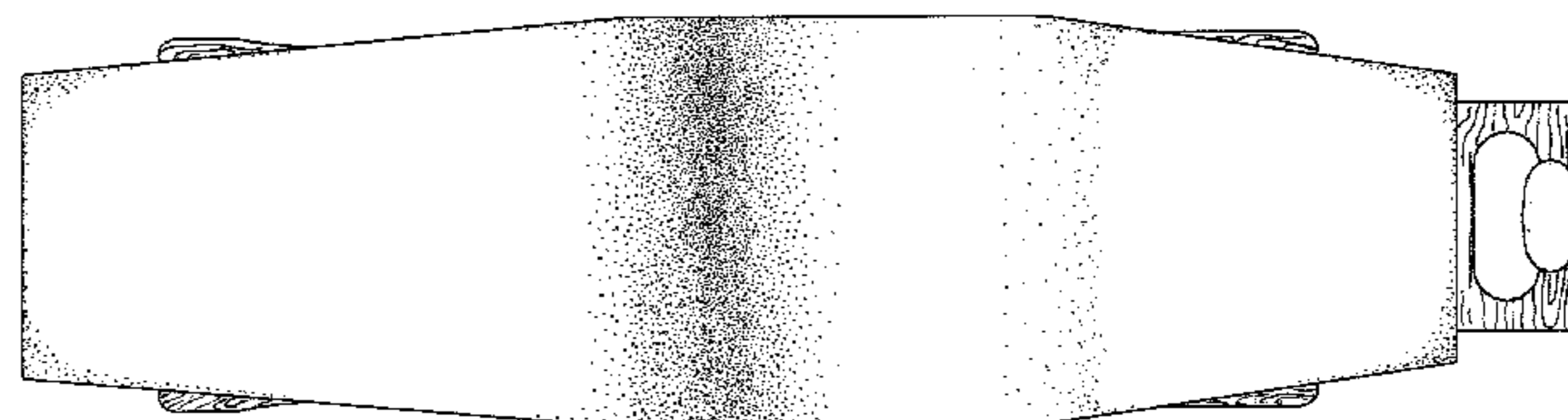
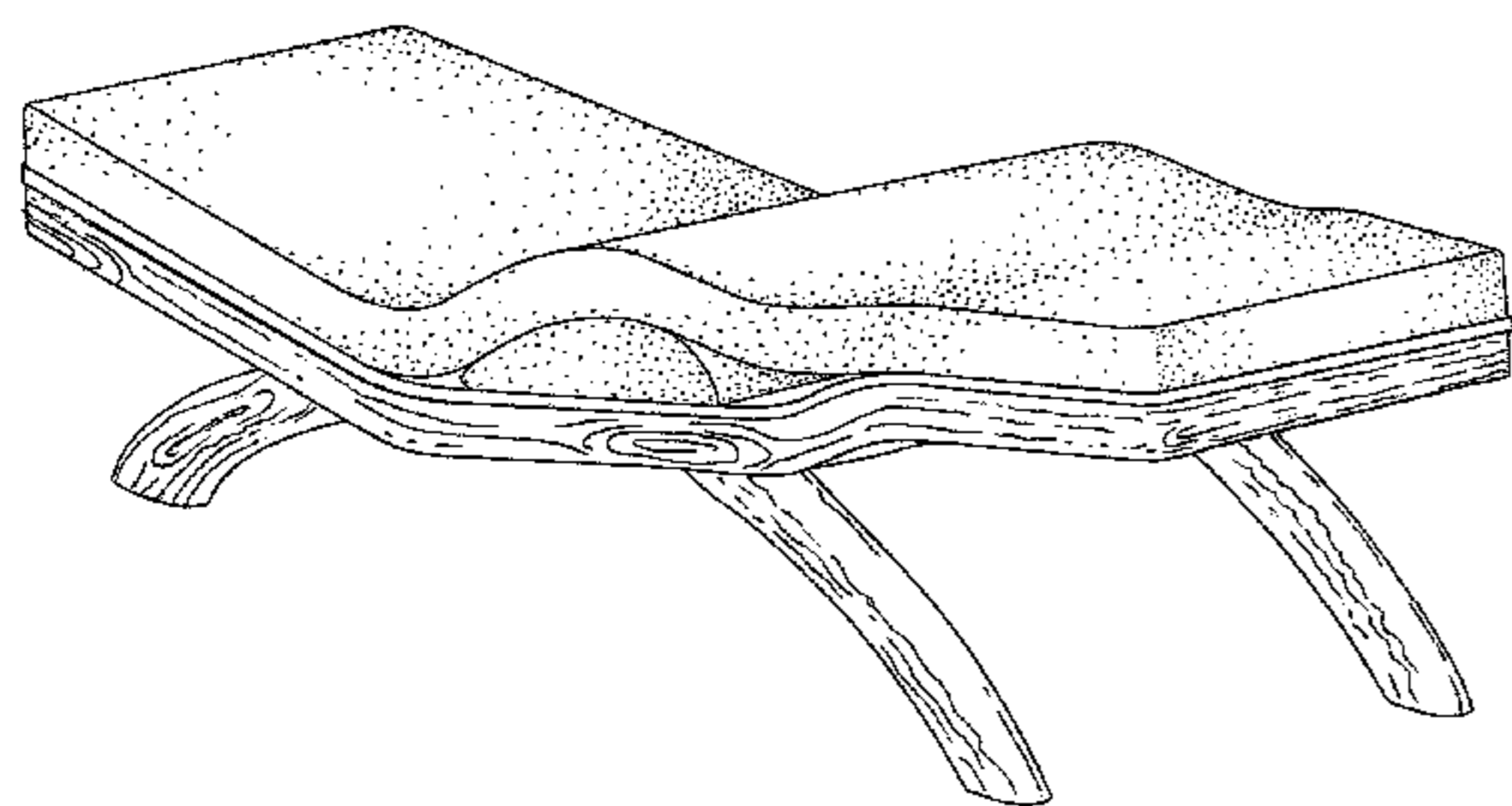
FIG. 9 is a rear view thereof;

FIG. 10 is a right side view of the lounge furniture of FIG. 7, the left side view being a mirror image thereof;

FIG. 11 is a top view thereof; and,

FIG. 12 is a bottom view thereof.

**1 Claim, 12 Drawing Sheets**



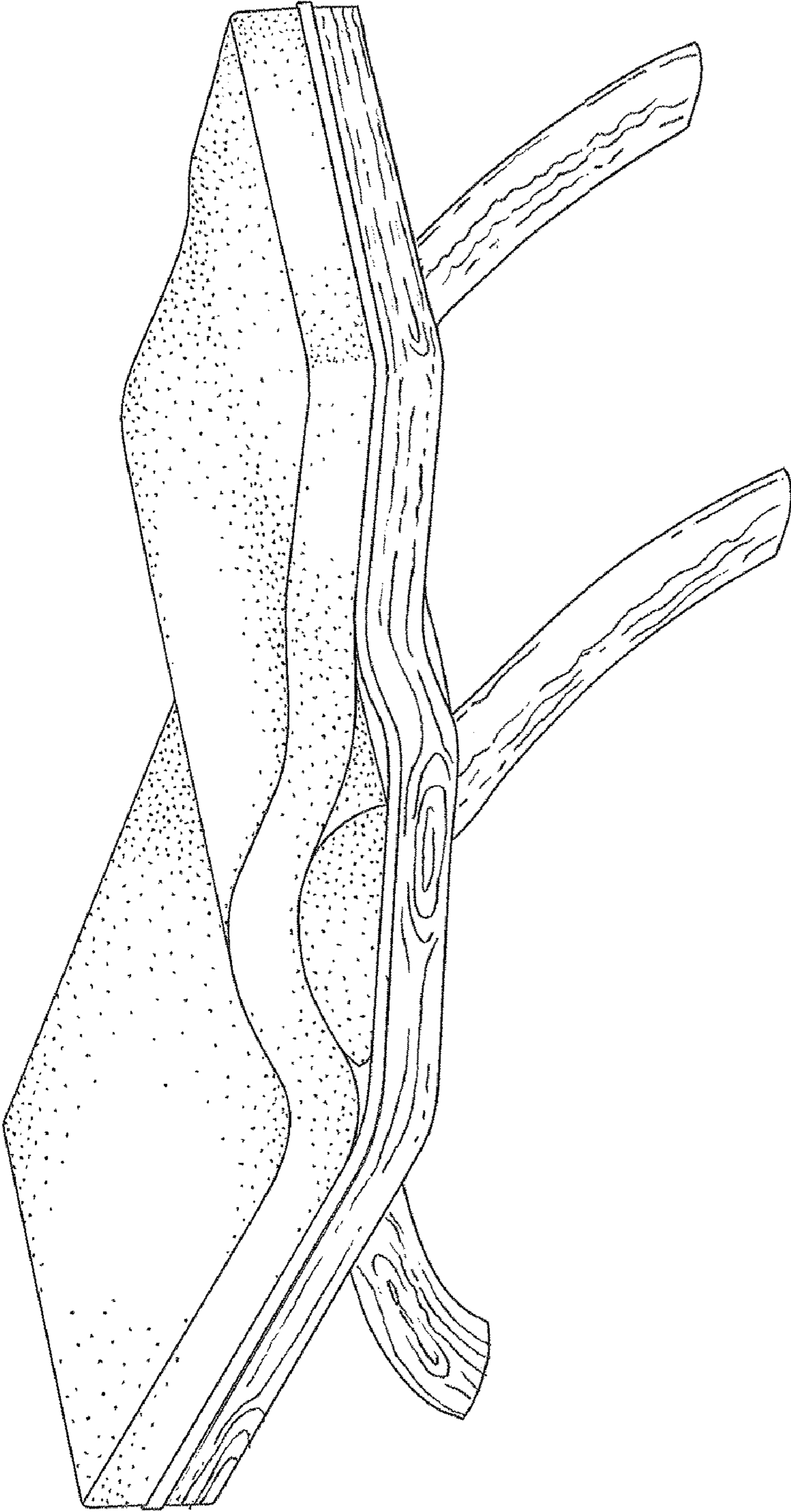


Fig. 1

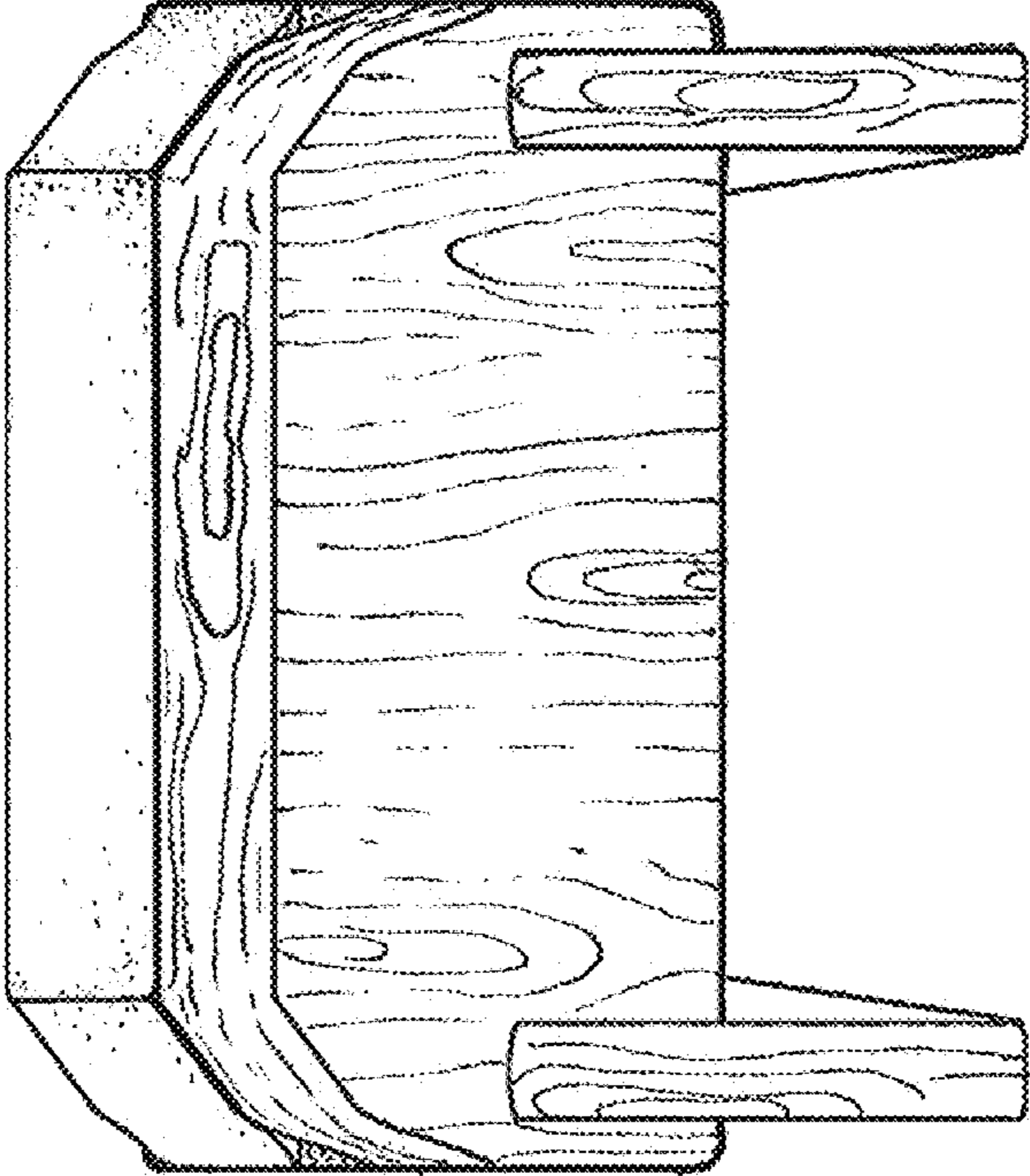


Fig. 2

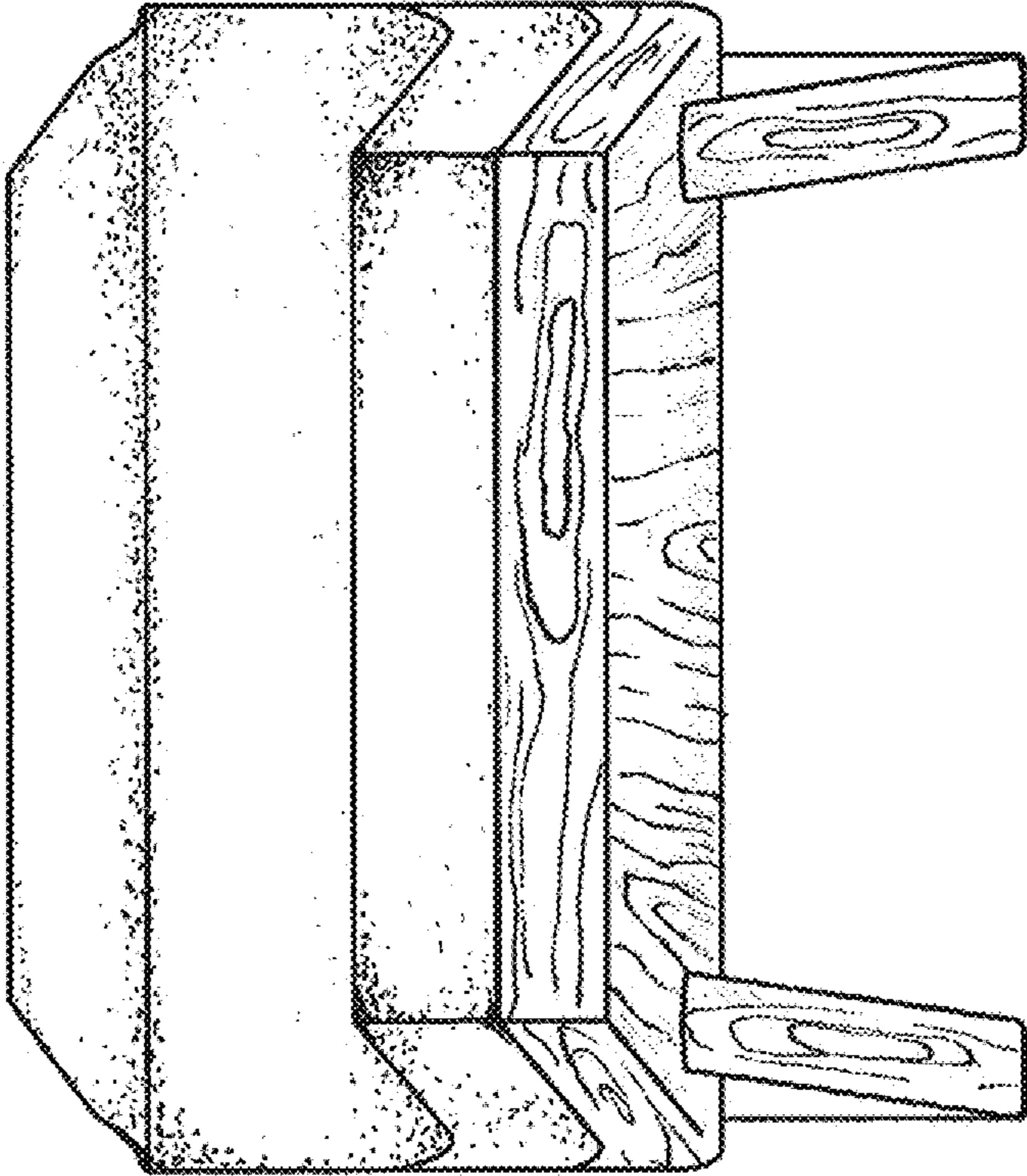


FIG. 3



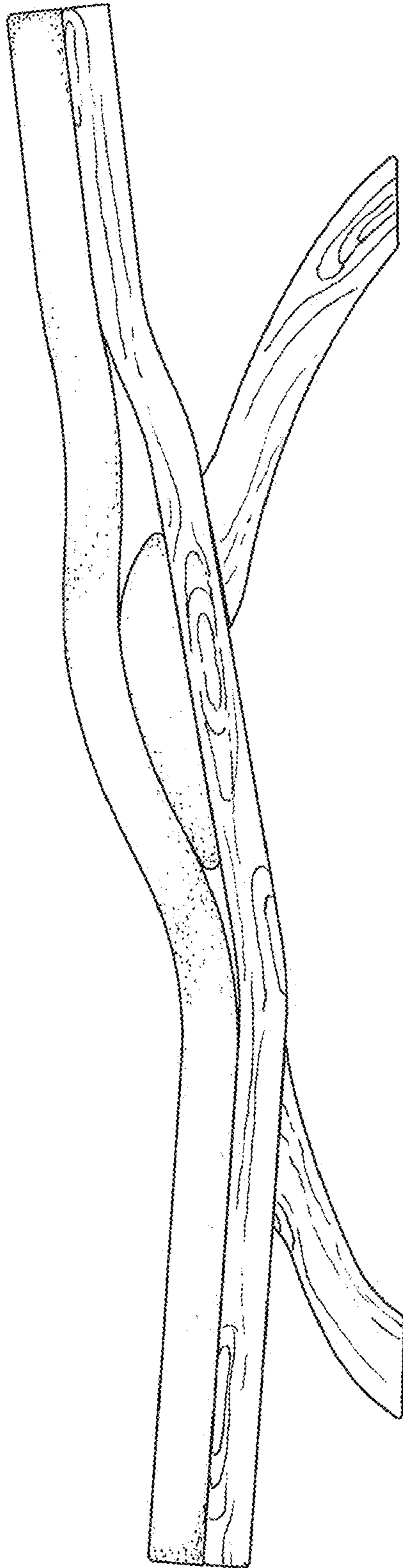


FIG. 4

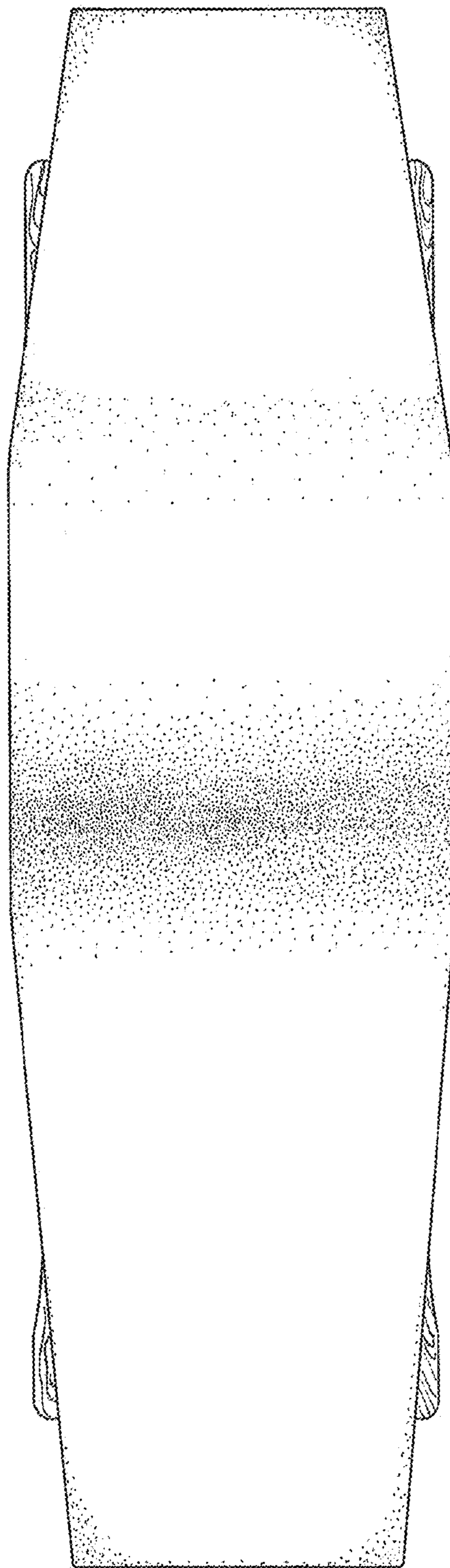


FIG. 5

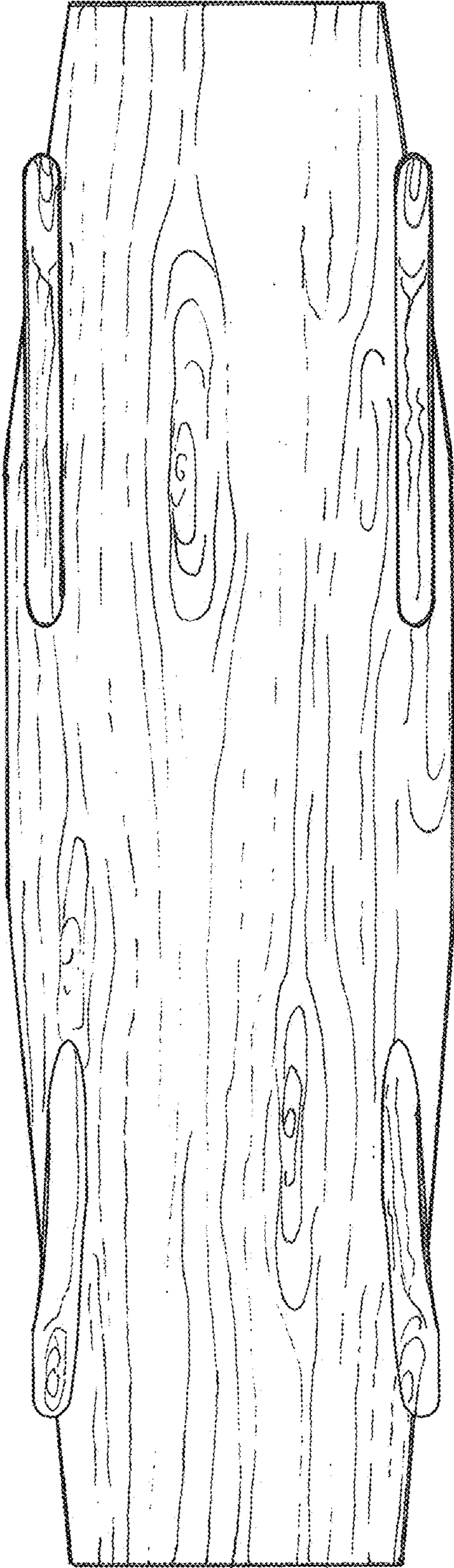


FIG. 6

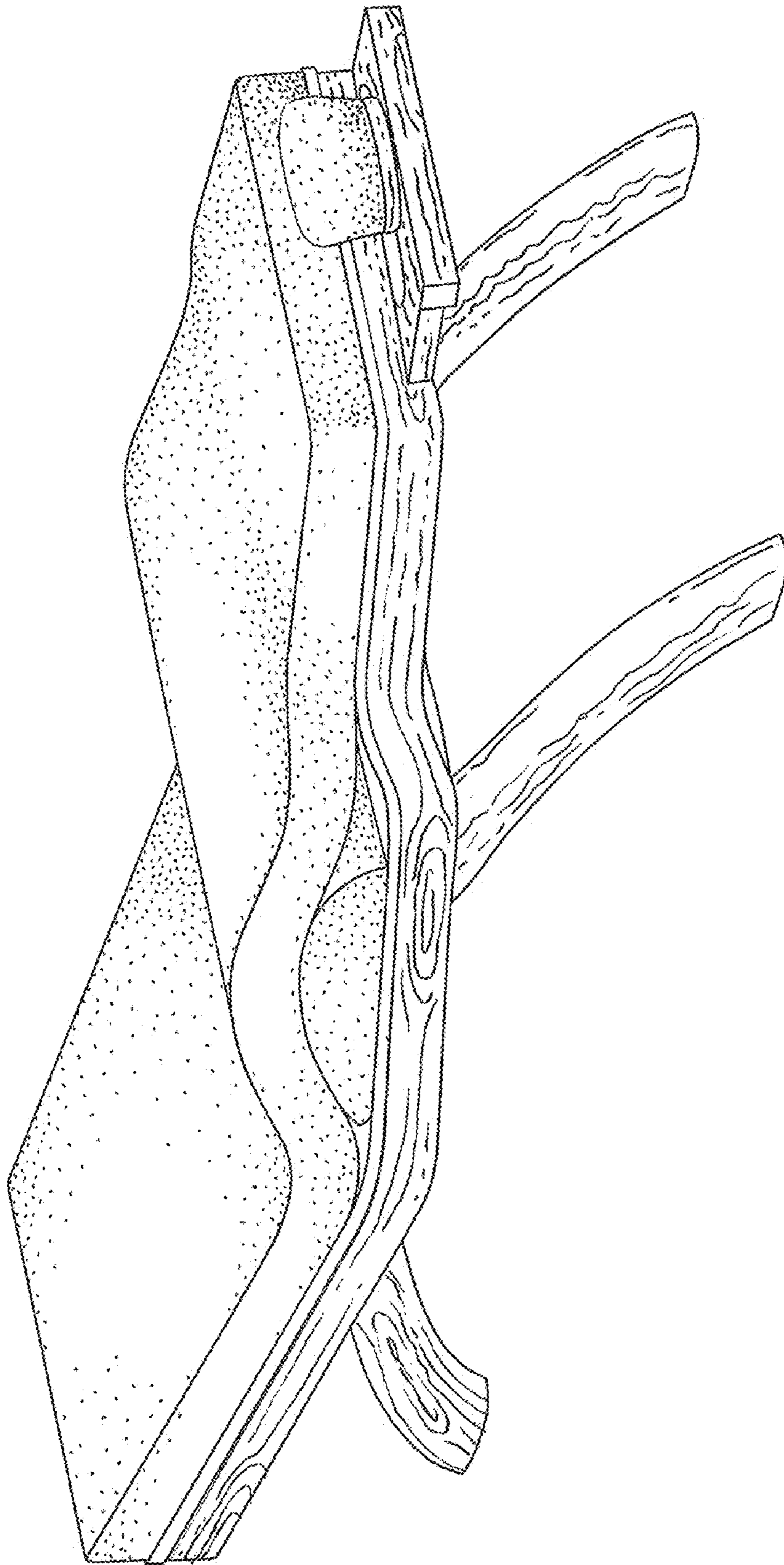


Fig. 7



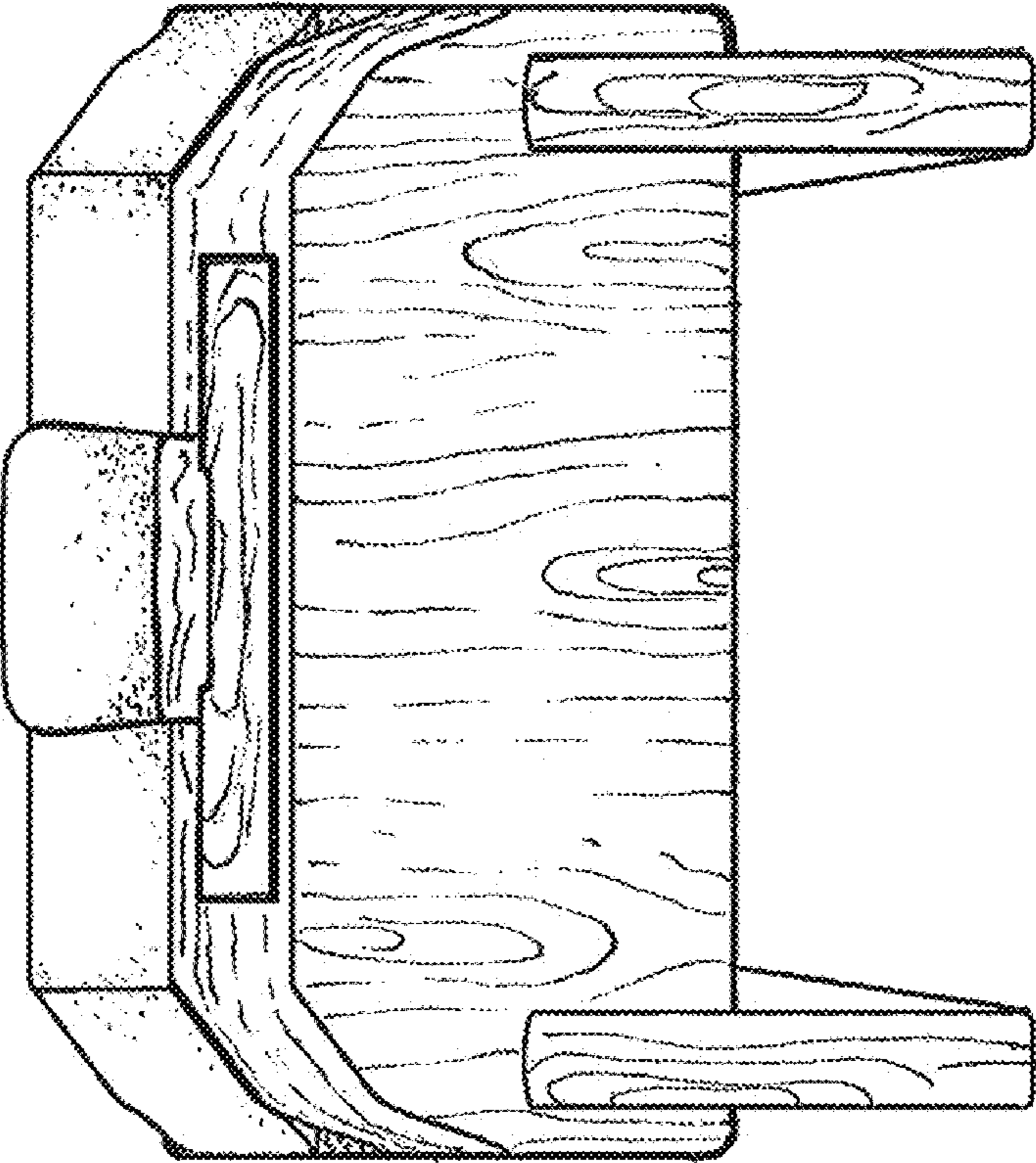


FIG. 8

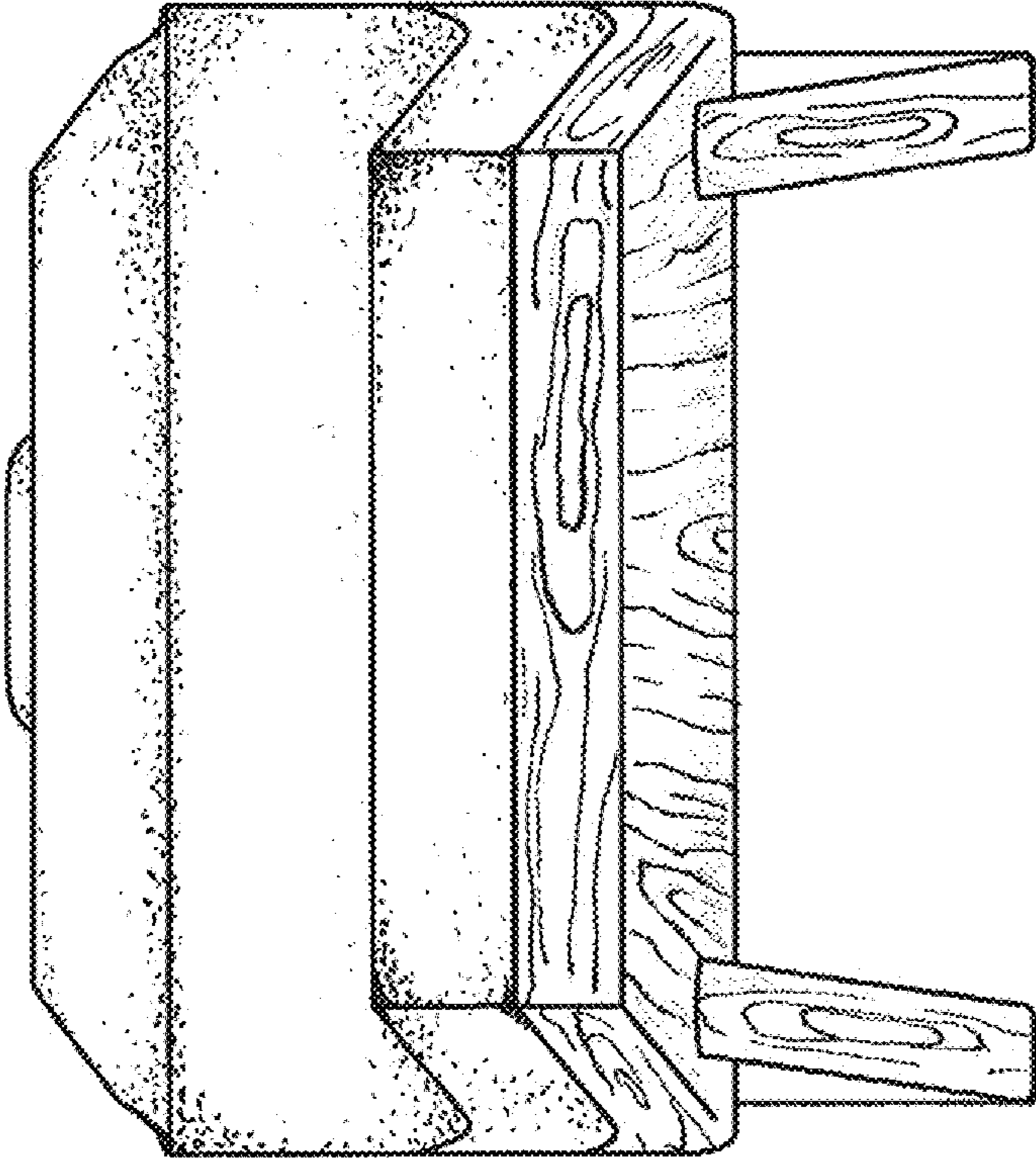


Fig. 9

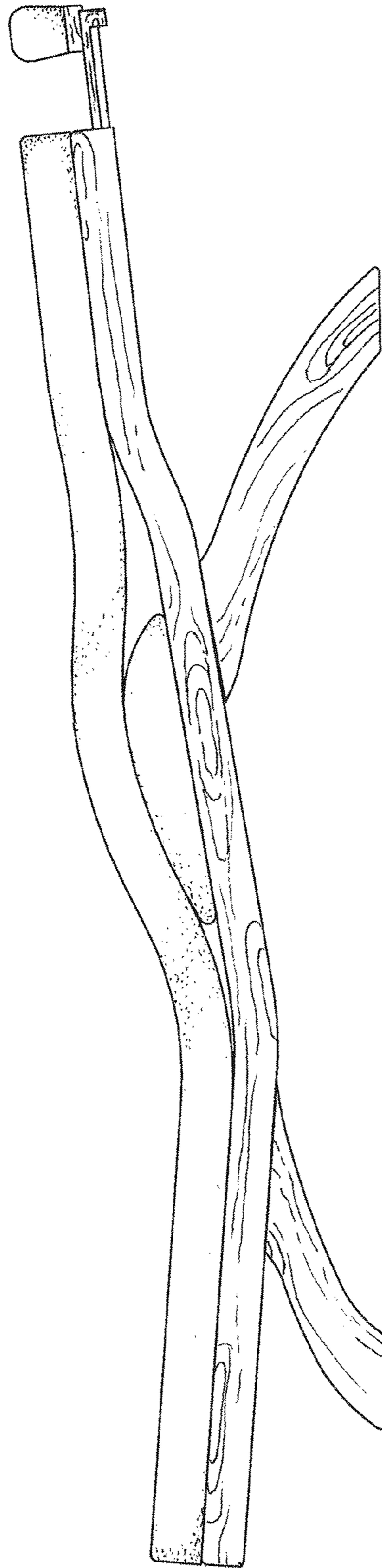


Fig. 10

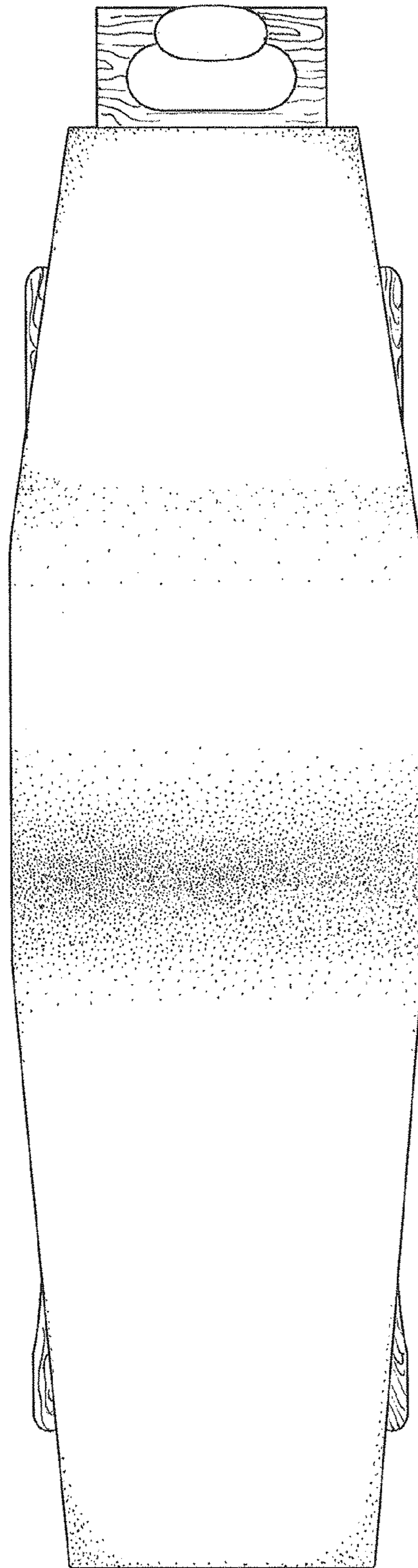


Fig. 11



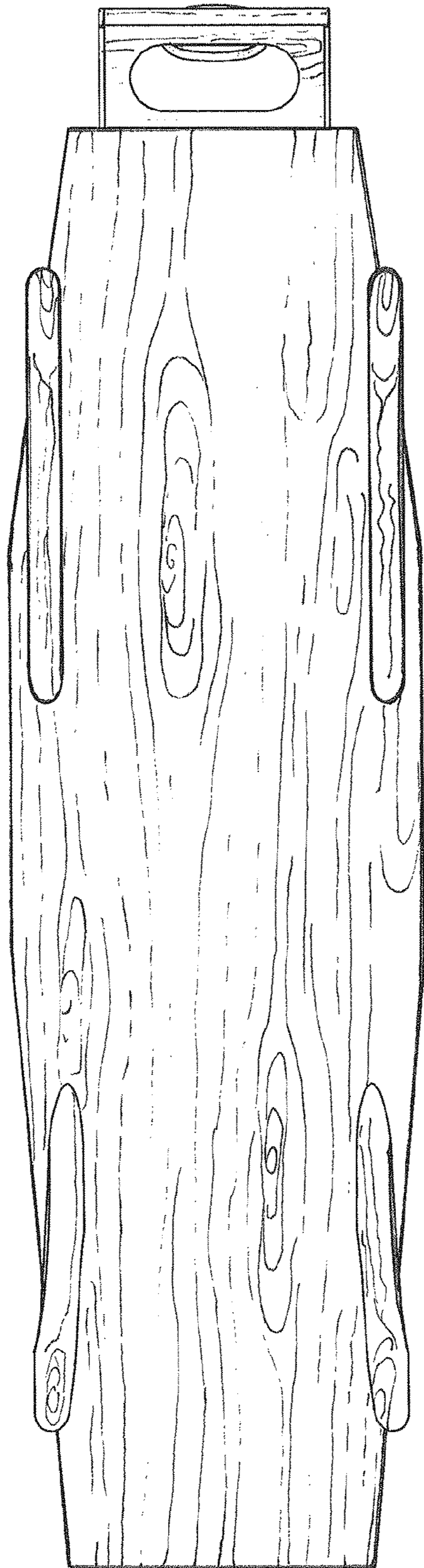


Fig. 12