



US00D644024S

(12) **United States Design Patent**
Jobert

(10) **Patent No.:** **US D644,024 S**

(45) **Date of Patent:** **** Aug. 30, 2011**

(54) **HANDBAG**

(75) **Inventor:** **Couli Jobert**, Paris (FR)

(73) **Assignee:** **Hermes Sellier (Societe Par Actions Simplifree)**, Paris (FR)

(**) **Term:** **14 Years**

(21) **Appl. No.:** **29/375,617**

(22) **Filed:** **Sep. 24, 2010**

(30) **Foreign Application Priority Data**

Mar. 26, 2010 (WO) DM/073 482

(51) **LOC (9) Cl.** **03-01**

(52) **U.S. Cl.** **D3/245**

(58) **Field of Classification Search** D3/232–233,
D3/240–246; 150/100, 103–110, 113–114,
150/118–119

See application file for complete search history.

(56) **References Cited**

U.S. PATENT DOCUMENTS

D374,346 S * 10/1996 Giovannella D3/243
D375,625 S * 11/1996 Kieselstein-Cord D3/233
D419,763 S * 2/2000 Wiebe D3/233
D587,451 S * 3/2009 Guichot D3/246

* cited by examiner

Primary Examiner — Holly Baynham

(74) *Attorney, Agent, or Firm* — Foley & Lardner LLP

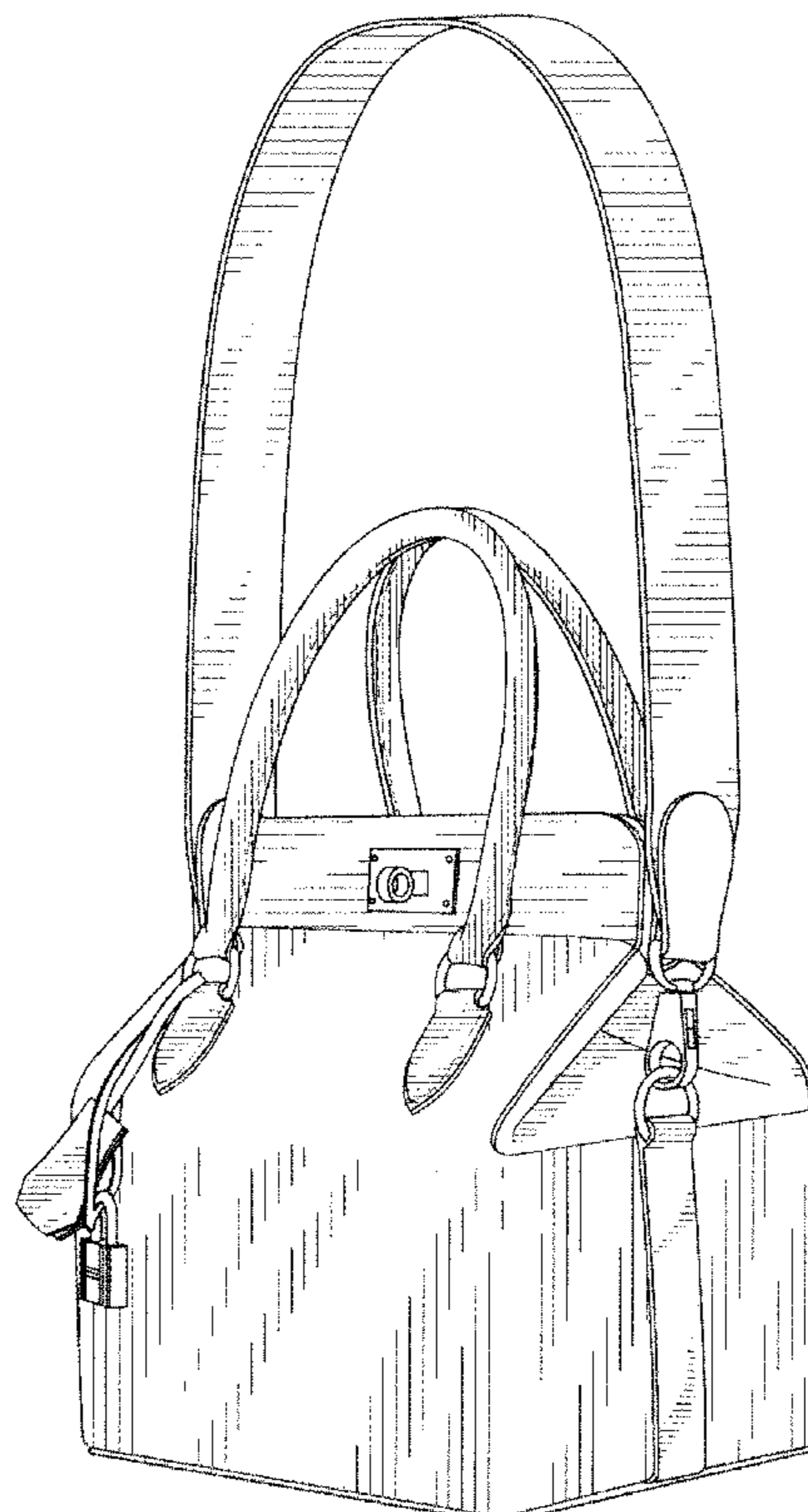
(57) **CLAIM**

The ornamental design for a handbag, as shown and described.

DESCRIPTION

FIG. 1 is a front view of a handbag according to my new design;
FIG. 2 is a back view of the handbag shown in FIG. 1;
FIG. 3 is a right side view of the handbag shown in FIG. 1;
FIG. 4 is a left side view of the handbag shown in FIG. 1;
FIG. 5 is a top view of the handbag shown in FIG. 1;
FIG. 6 is a bottom view of the handbag shown in FIG. 1; and,
FIG. 7 is a frontal perspective of the handbag shown in FIG. 1.
The broken lines representing stitching are for the purposes of illustrating environment and form no part of the claimed design.

1 Claim, 7 Drawing Sheets



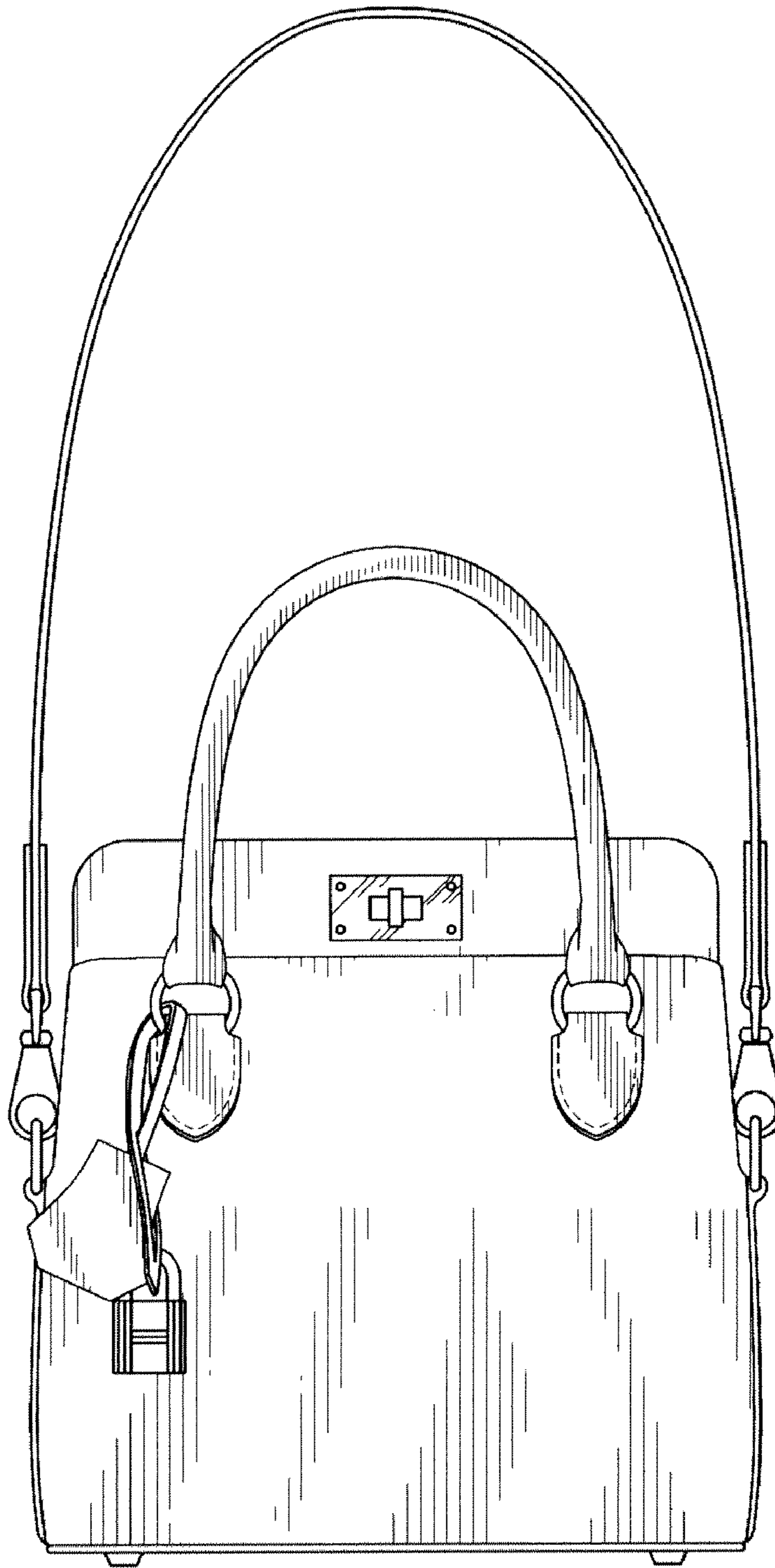


Fig. 1

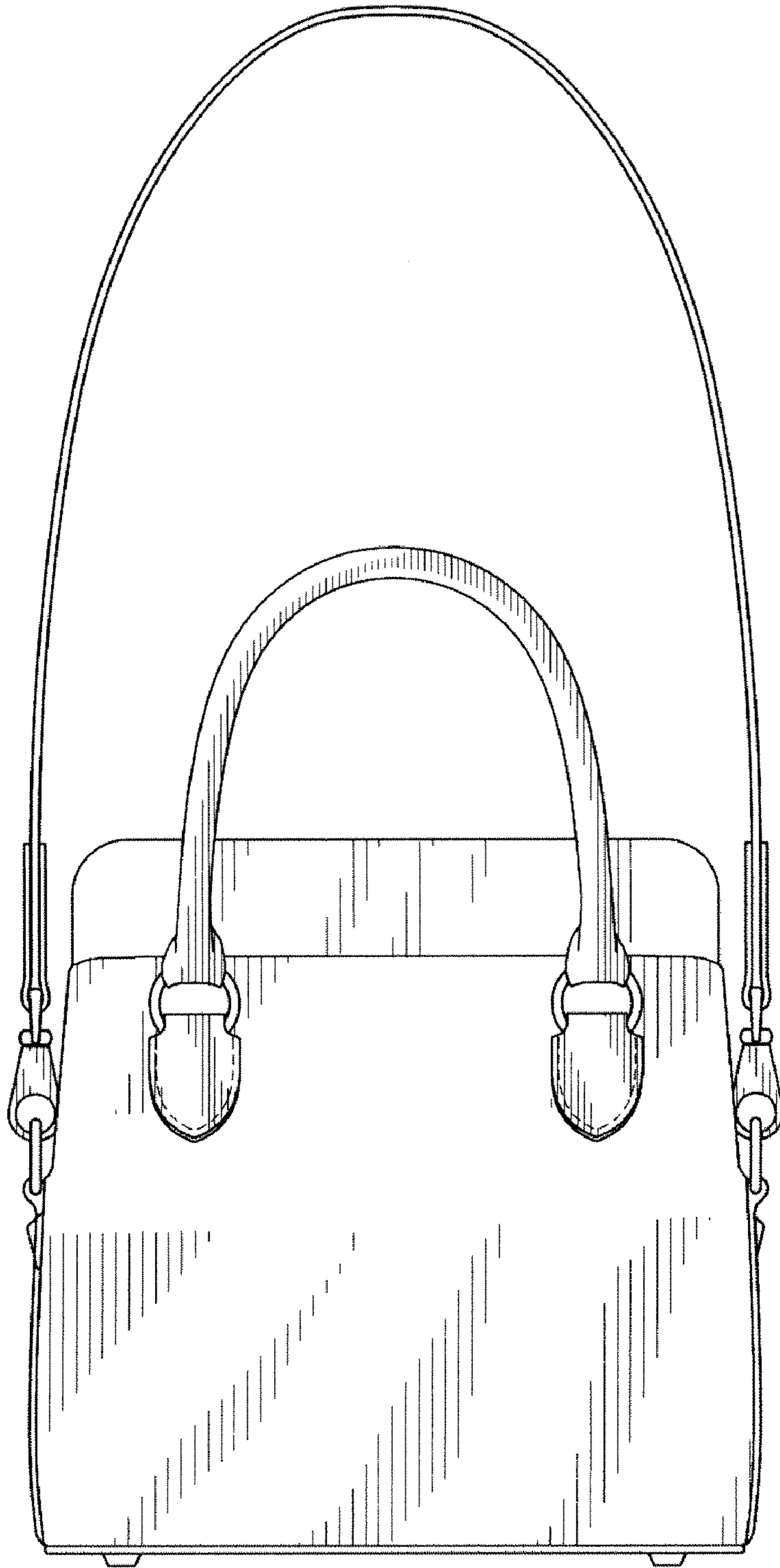


Fig.2

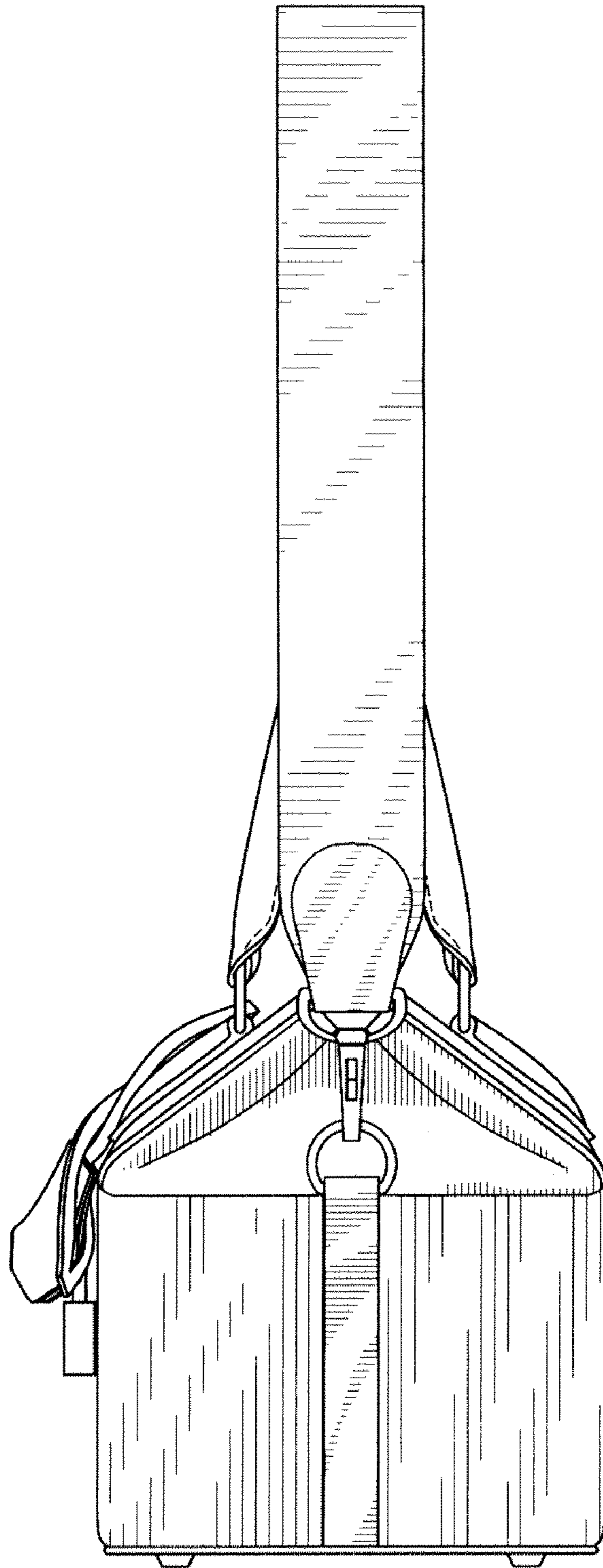


Fig. 3

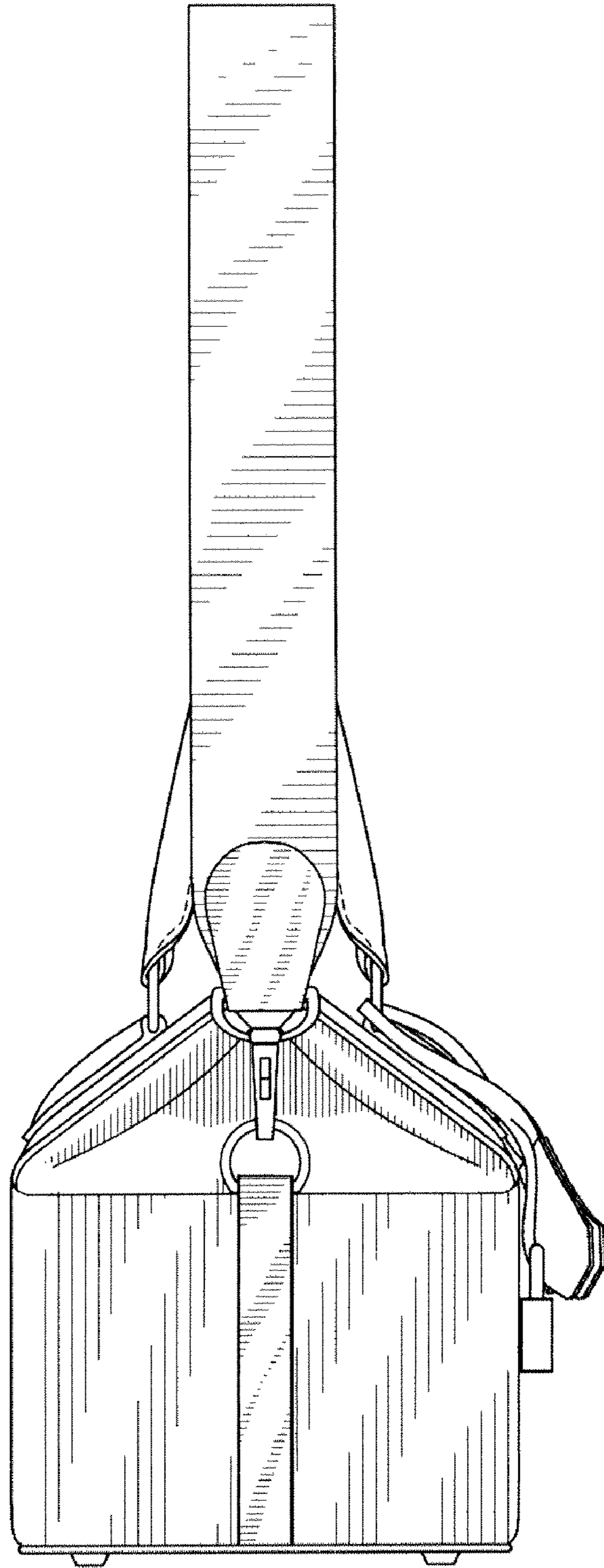


Fig. 4

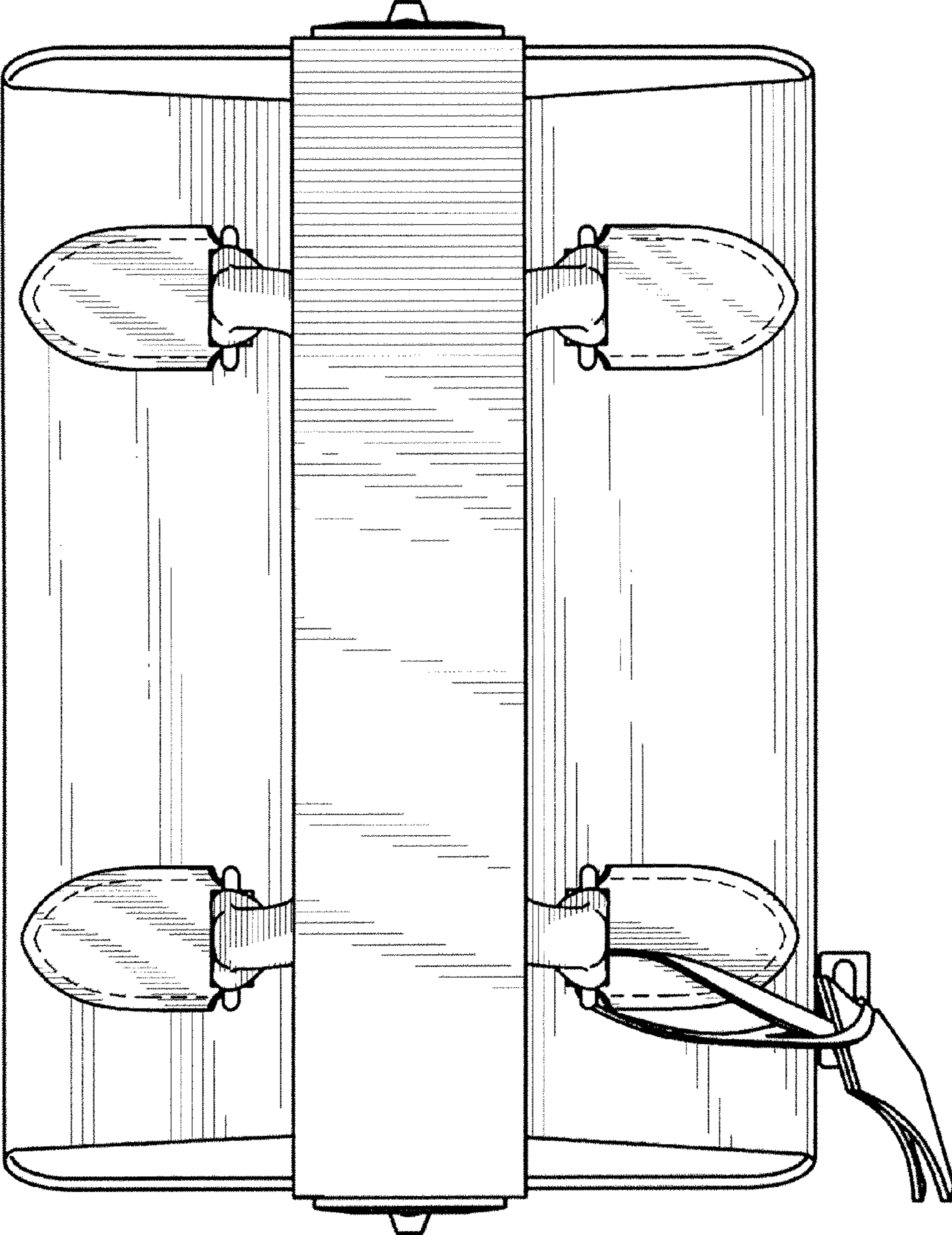


Fig.5

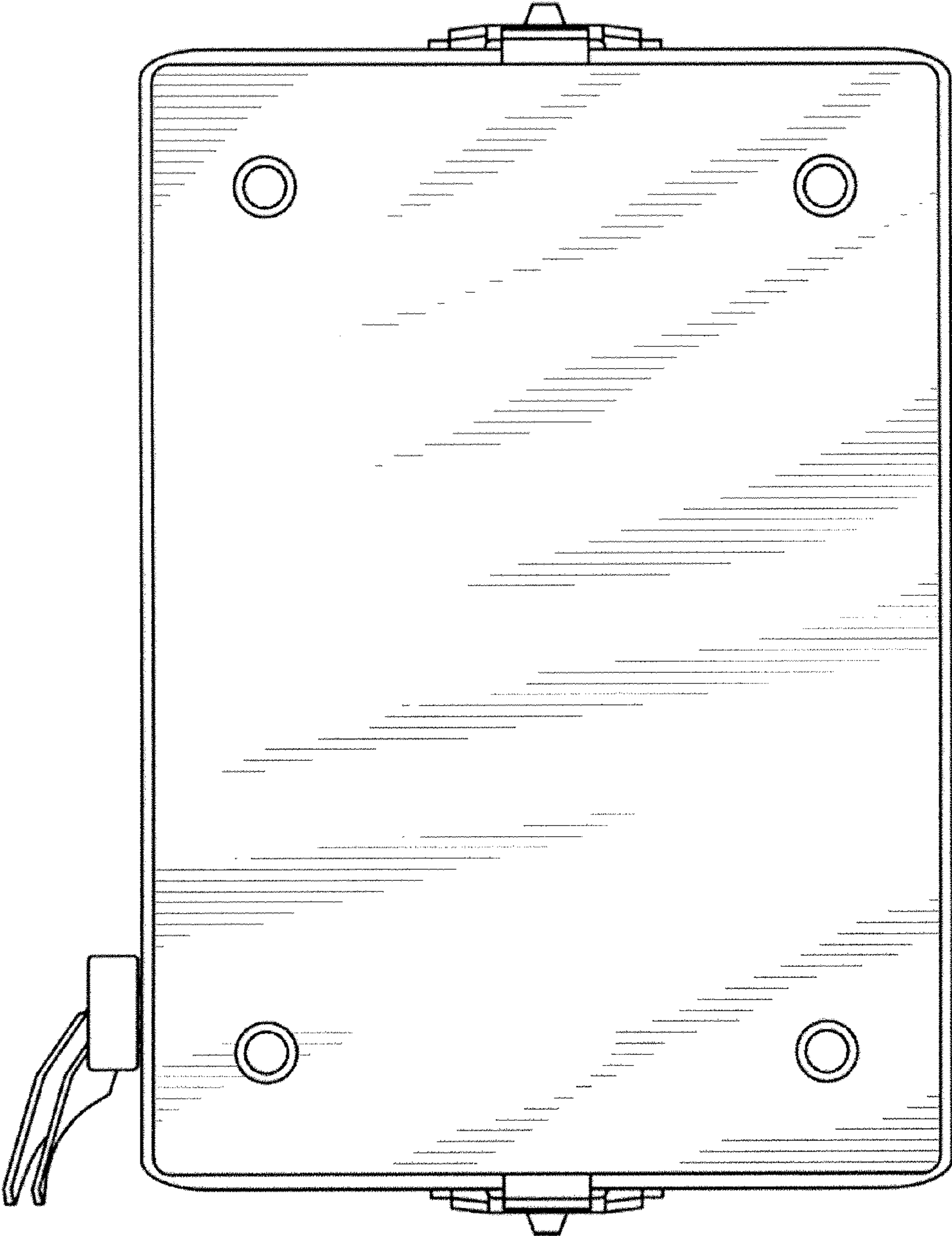


Fig.6

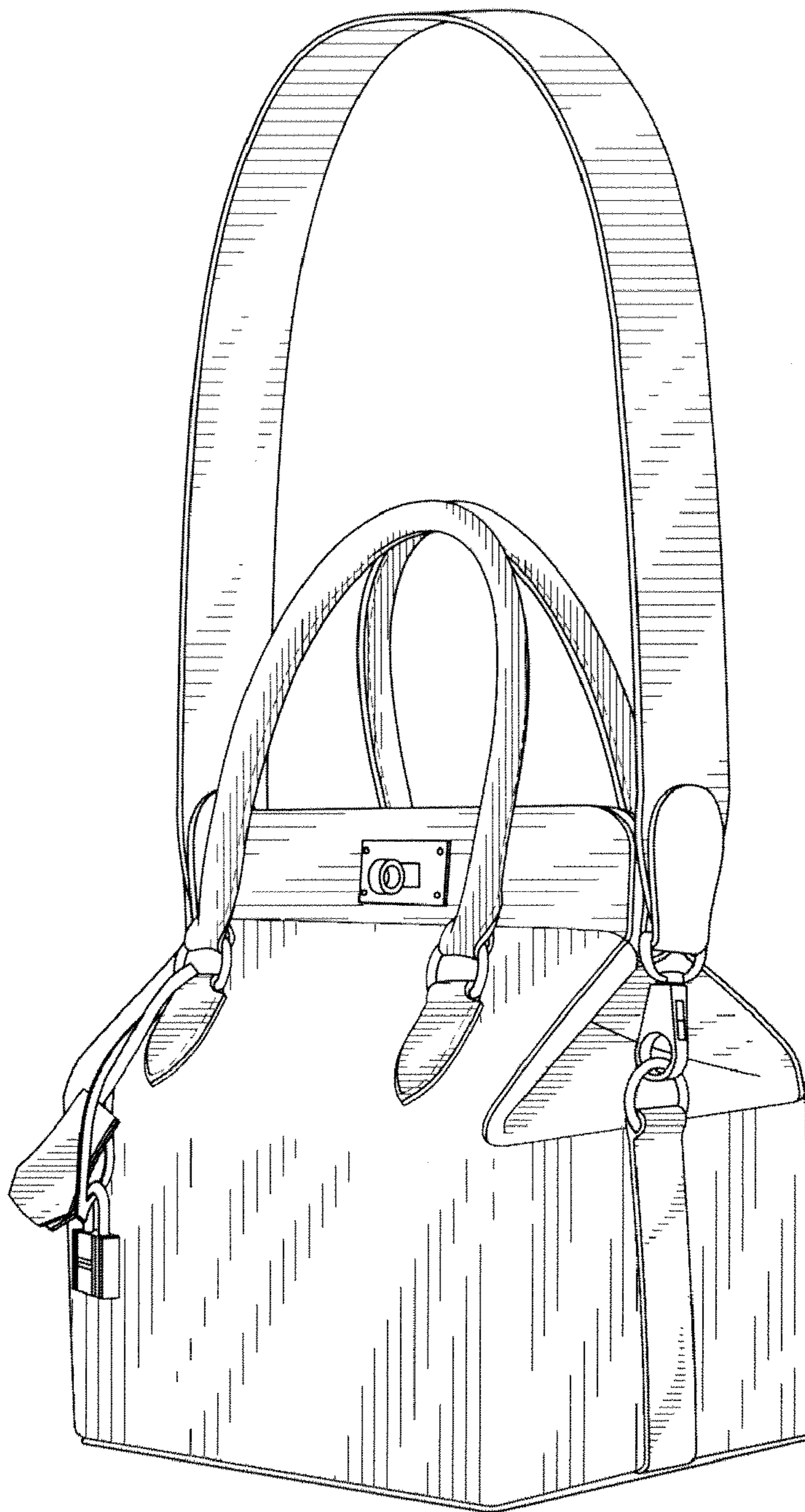


Fig.7