



US00D644022S

(12) **United States Design Patent**
Barenbrug et al.

(10) **Patent No.:** **US D644,022 S**

(45) **Date of Patent:** **** Aug. 30, 2011**

(54) **BAG**

(75) Inventors: **Max Barenbrug**, Amsterdam Zuidoost (NL); **Robbert Gerretsen**, Amsterdam Zuidoost (NL)

(73) Assignee: **Royalty Bugaboo GmbH**, Zug (CH)

(**) Term: **14 Years**

(21) Appl. No.: **29/370,882**

(22) Filed: **Sep. 17, 2010**

(30) **Foreign Application Priority Data**

Jun. 11, 2010 (EP) 001718354-0001

(51) **LOC (9) Cl.** **03-01**

(52) **U.S. Cl.** **D3/243**

(58) **Field of Classification Search** D3/232–233,
D3/240–246; 150/100, 103–110, 113–114,
150/118–119

See application file for complete search history.

(56) **References Cited**

U.S. PATENT DOCUMENTS

D258,551 S * 3/1981 Siegel D3/243
D369,675 S * 5/1996 Gregg D3/233
D370,341 S * 6/1996 Azar et al. D3/233

* cited by examiner

Primary Examiner — Holly Baynham

(74) *Attorney, Agent, or Firm* — Fross Zelnick Lehrman & Zissu, P.C.; Charles T. J. Weigell, Esq.

(57) **CLAIM**

The ornamental design for a bag, as shown and described.

DESCRIPTION

FIG. 1 is a front perspective view of a bag showing our new design;

FIG. 2 is a front view of the bag shown in FIG. 1;

FIG. 3 is a rear view of the bag shown in FIG. 1;

FIG. 4 is a right side view of the bag shown in FIG. 1;

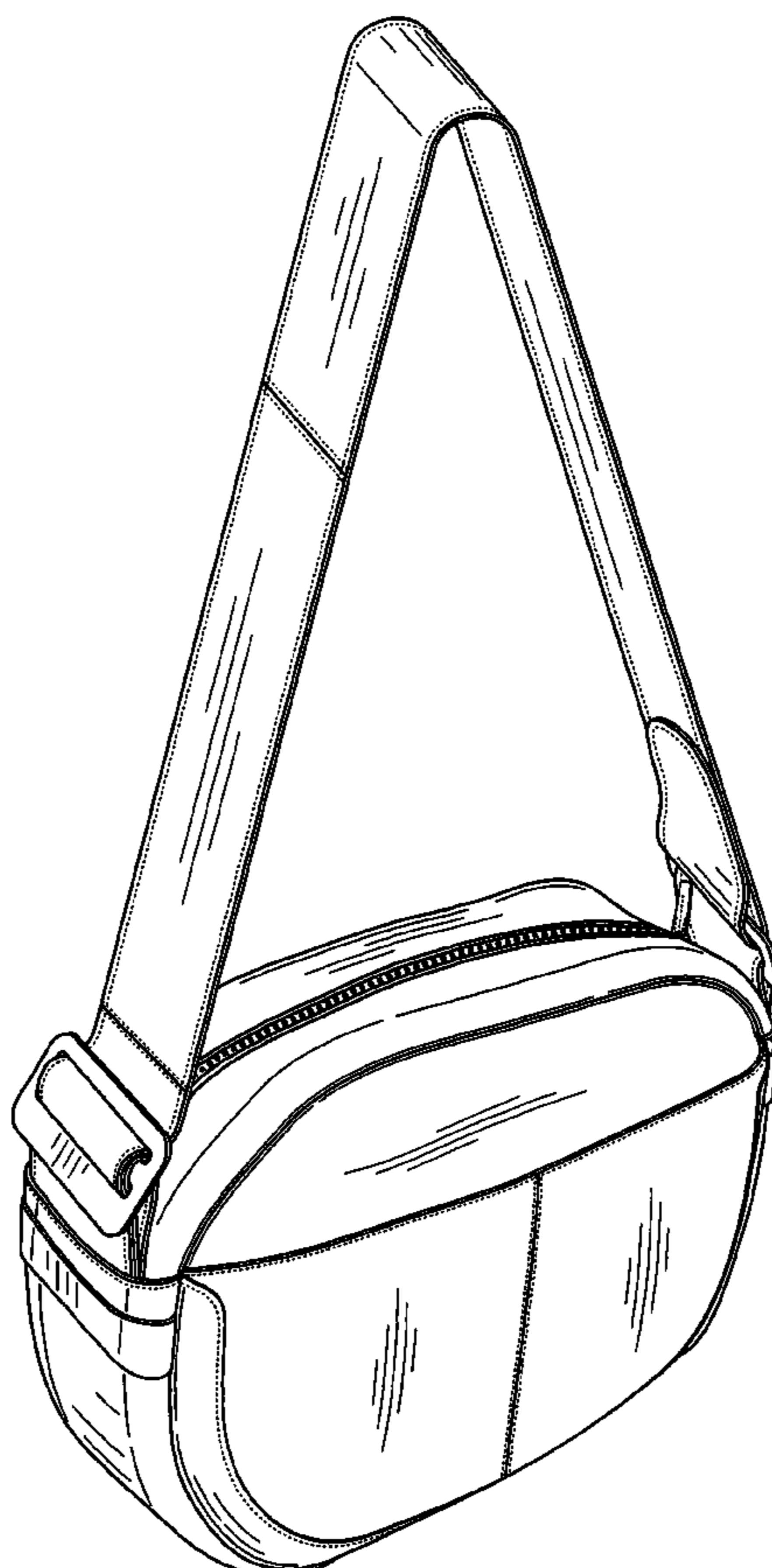
FIG. 5 is a left side view of the bag shown in FIG. 1;

FIG. 6 is a top view of the bag shown in FIG. 1; and,

FIG. 7 is a bottom view of the bag shown in FIG. 1.

The broken lines showing a tag are for the purposes of illustrating environment and form no part of the claimed design. The dotted lines other than those representing the tags are understood to represent stitching and are part of the claimed design.

1 Claim, 5 Drawing Sheets



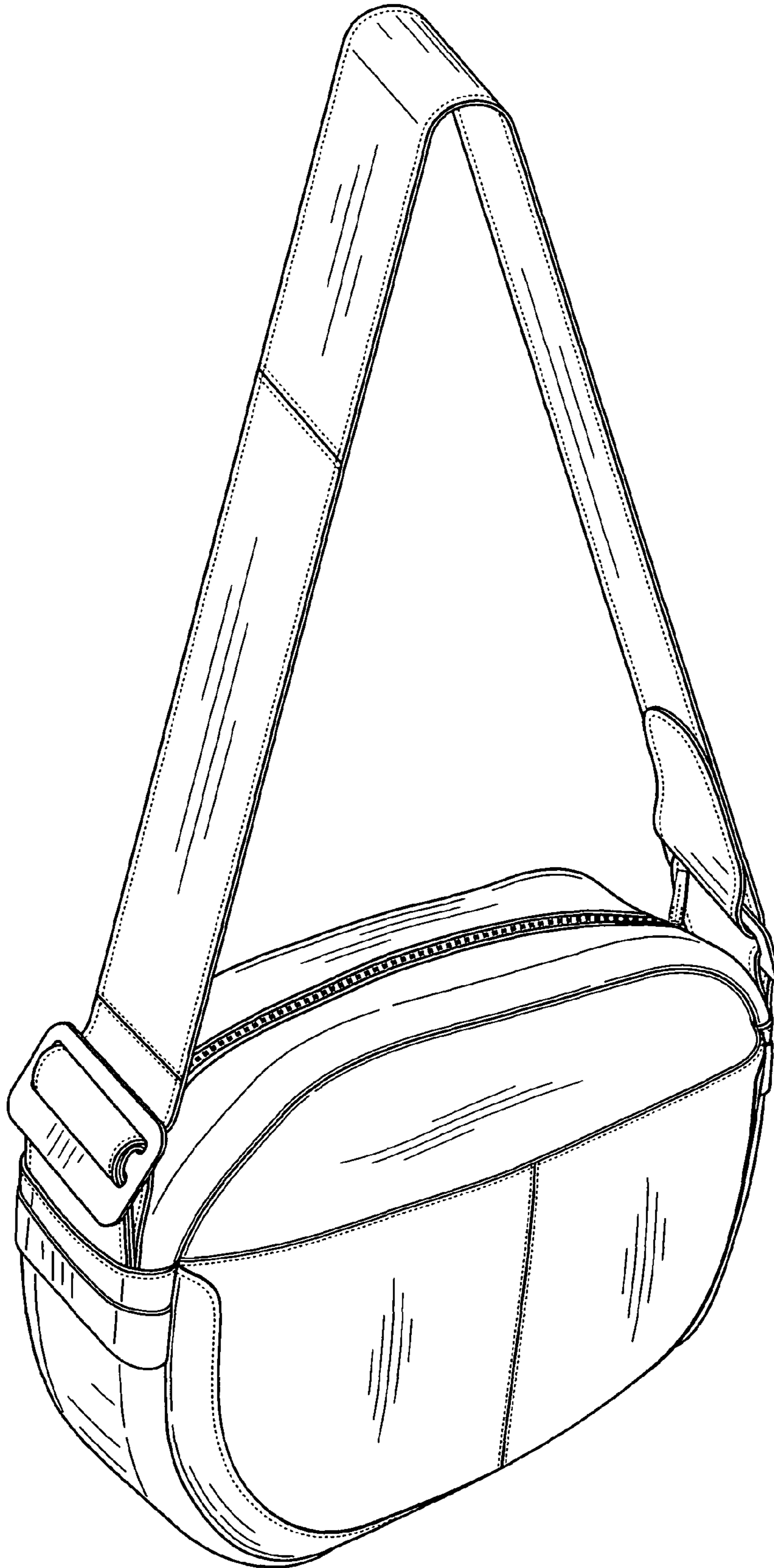


FIG. 1

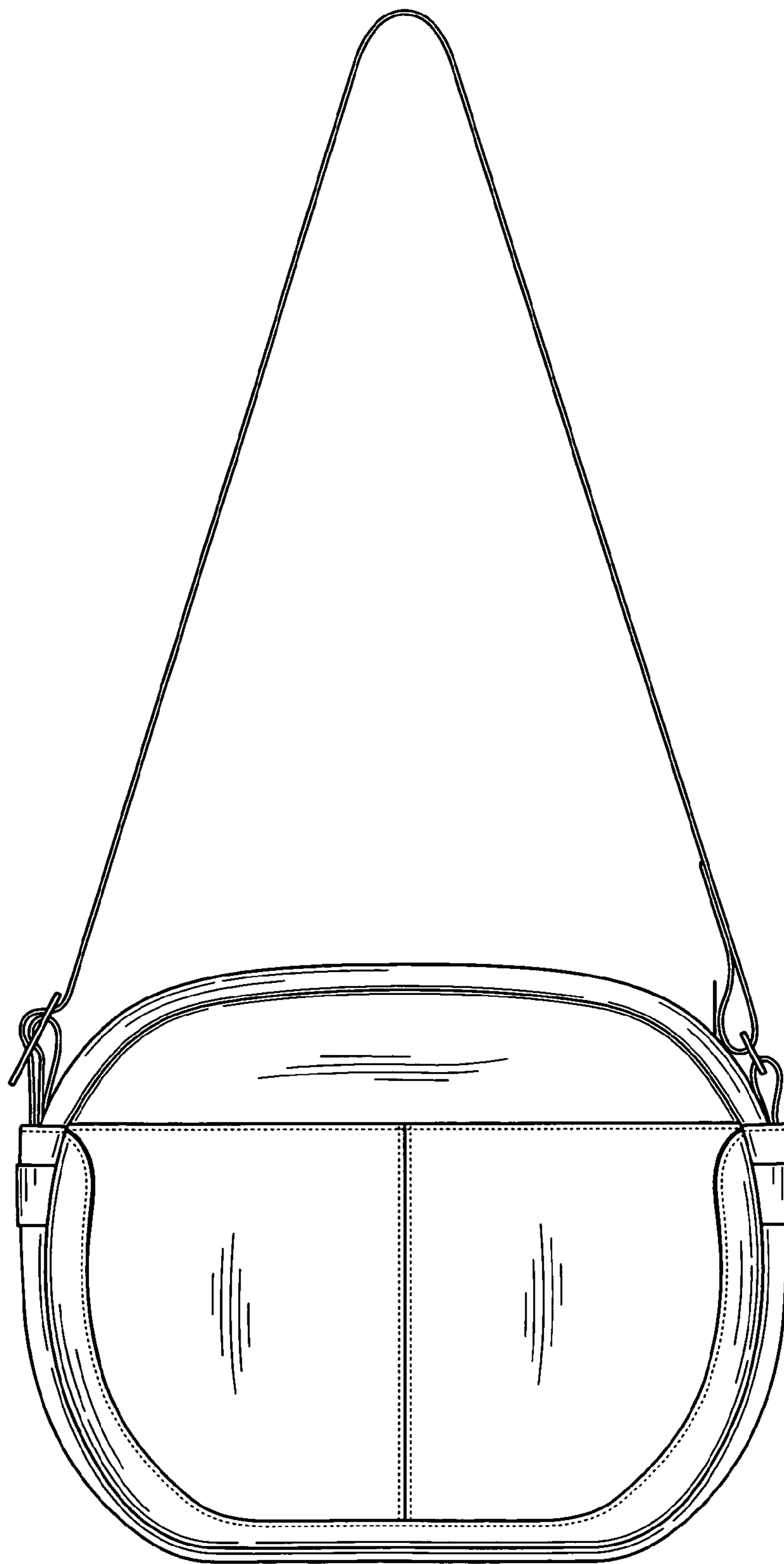


FIG. 2

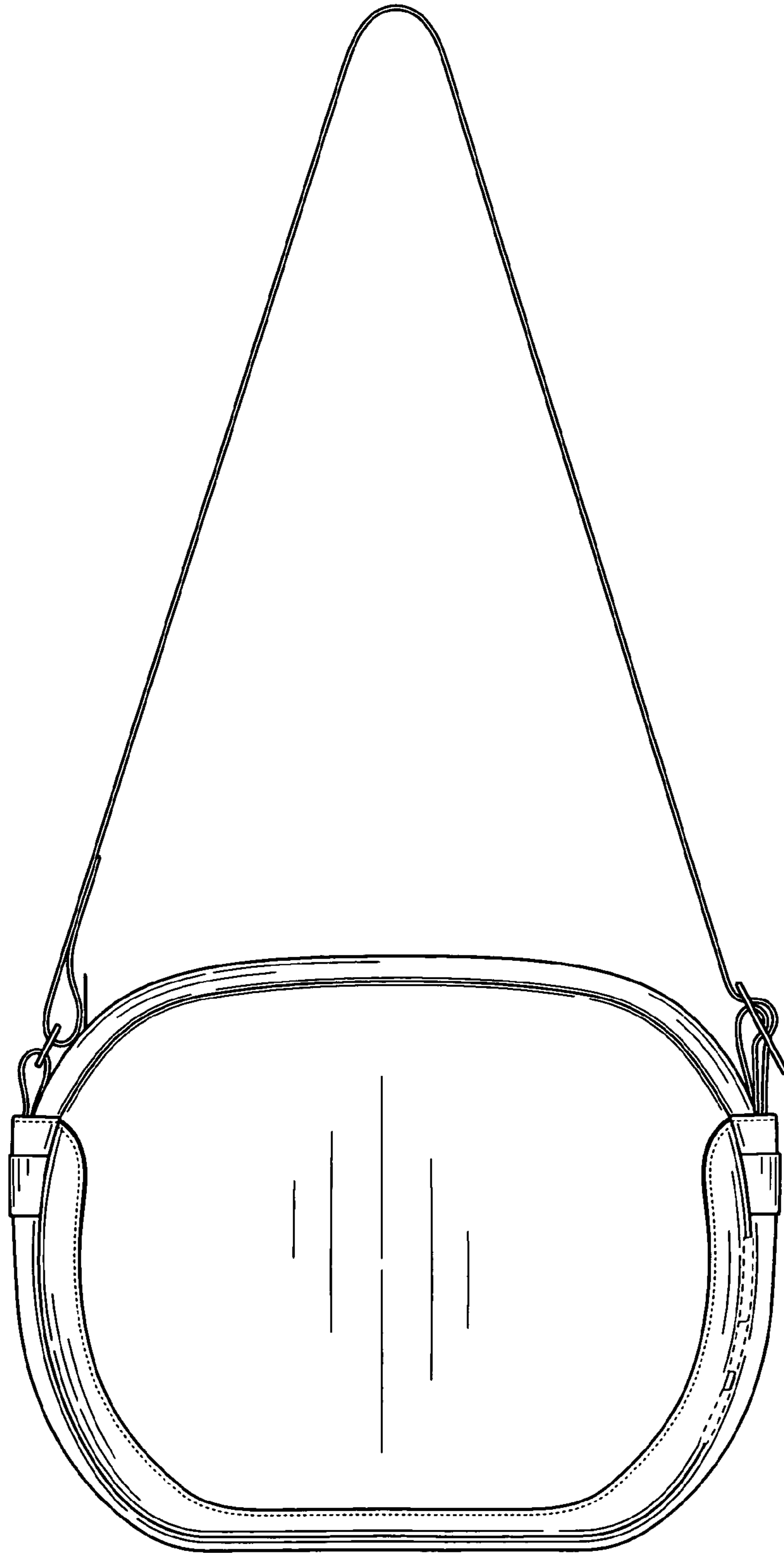


FIG. 3

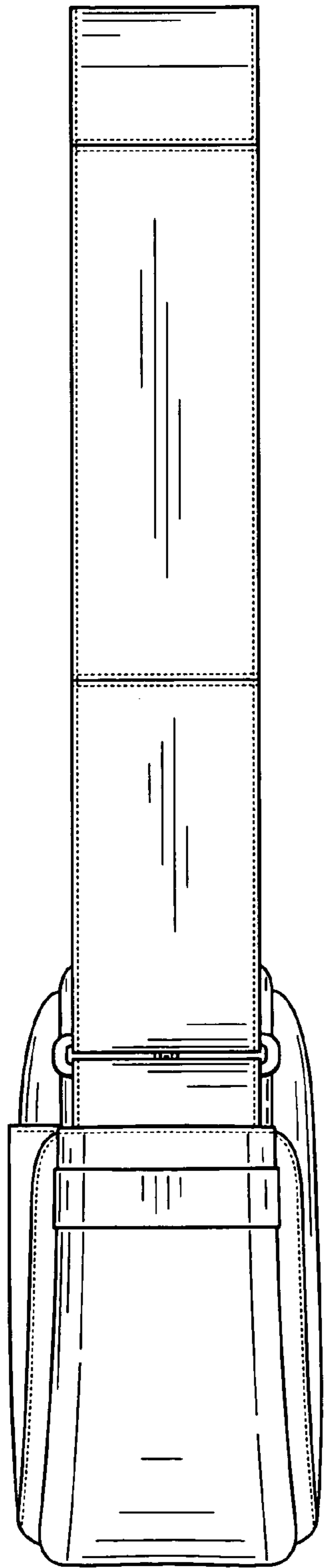


FIG. 4

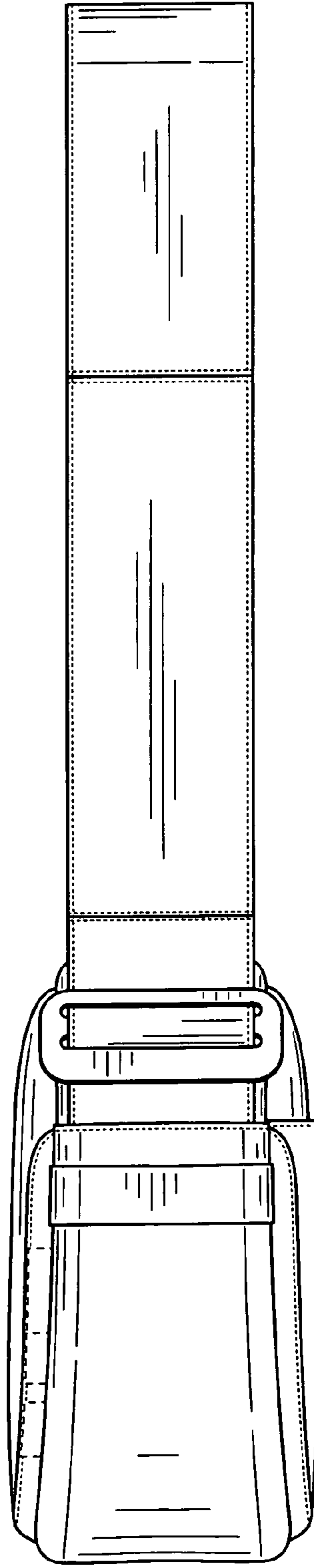


FIG. 5

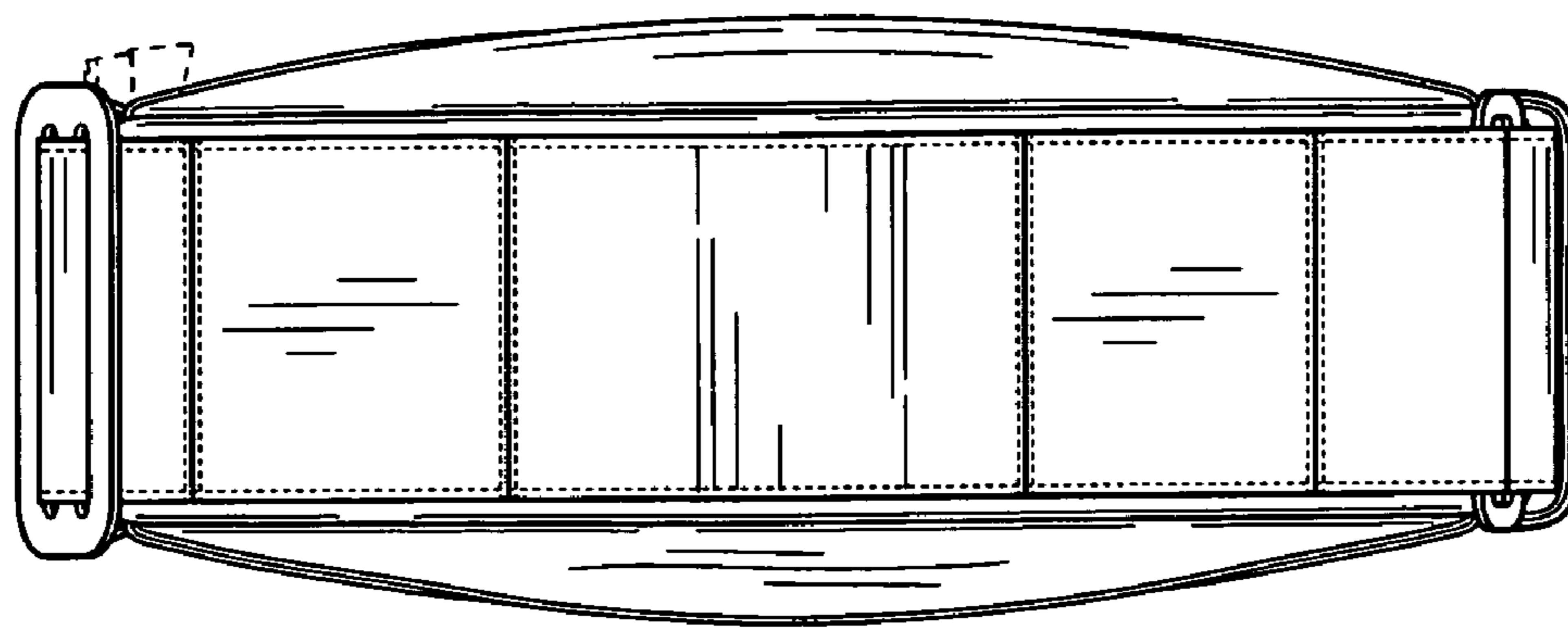


FIG. 6

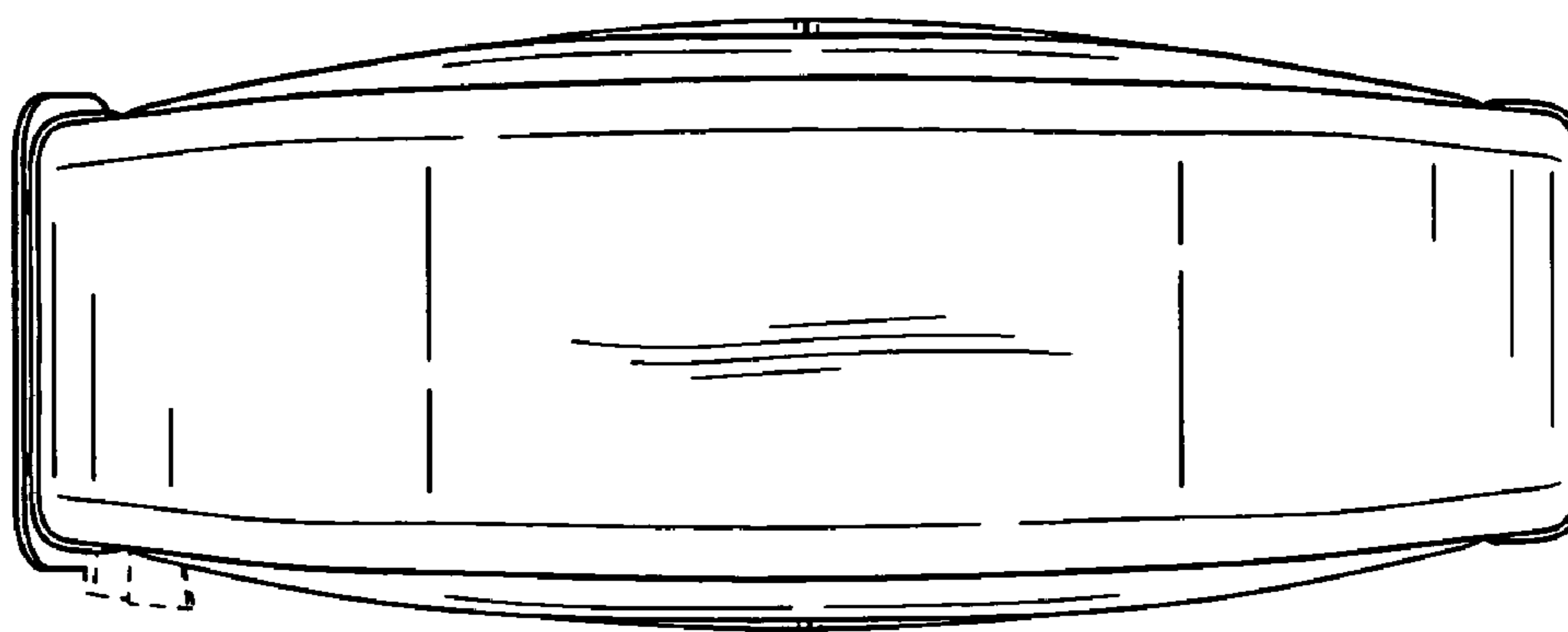


FIG. 7