



US00D644004S

(12) **United States Design Patent**
Nunn

(10) **Patent No.:** **US D644,004 S**

(45) **Date of Patent:** **** Aug. 30, 2011**

(54) **GARMENT TOP**

(76) **Inventor:** **Daron D. Nunn**, Bakersfield, CA (US)

(**) **Term:** **14 Years**

(21) **Appl. No.:** **29/314,678**

(22) **Filed:** **Apr. 20, 2009**

(51) **LOC (9) Cl.** **02-02**

(52) **U.S. Cl.** **D2/739; D2/840**

(58) **Field of Classification Search** D2/717,
D2/750, 840, 844, 720, 739, 828, 830, 841,
D2/847; 2/106, 113, 115, 90, 93, 96, 108;
D11/221

See application file for complete search history.

(56) **References Cited**

U.S. PATENT DOCUMENTS

1,843,717	A *	2/1932	Grifenhagen	2/115
D99,789	S *	5/1936	Goldstein	D2/847
2,255,183	A *	9/1941	Ostwald	294/1.1
3,636,567	A *	1/1972	Benevento	2/115
5,161,258	A *	11/1992	Coltrain	2/102
D341,471	S *	11/1993	Cross	D2/717
D390,337	S *	2/1998	Mixon	D2/717
5,918,310	A *	7/1999	Farahany	2/23

D444,291	S *	7/2001	Poradzisz	D2/844
D482,243	S *	11/2003	Yamane	D7/625
D509,343	S *	9/2005	Bragg	D2/840
D517,282	S *	3/2006	Tanner et al.	D2/840
D526,763	S *	8/2006	Tanner et al.	D2/717
D565,279	S *	4/2008	Farrell	D2/720
D601,781	S *	10/2009	Rhodes	D2/840
D612,126	S *	3/2010	Milgrom	D2/720
2007/0204376	A1 *	9/2007	Nunn	2/69

FOREIGN PATENT DOCUMENTS

EP 490674 A1 * 6/1992

* cited by examiner

Primary Examiner — Ian Simmons

Assistant Examiner — Rashida Johnson

(74) *Attorney, Agent, or Firm* — Timothy Thut Tyson

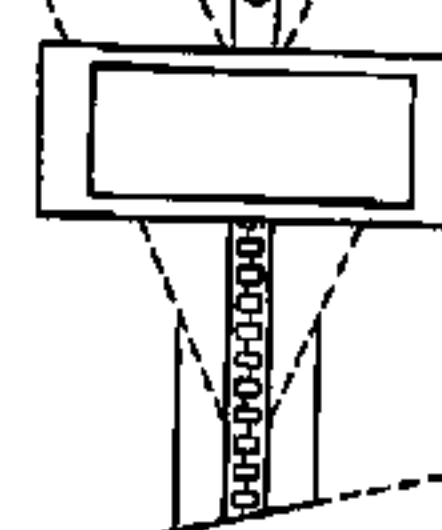
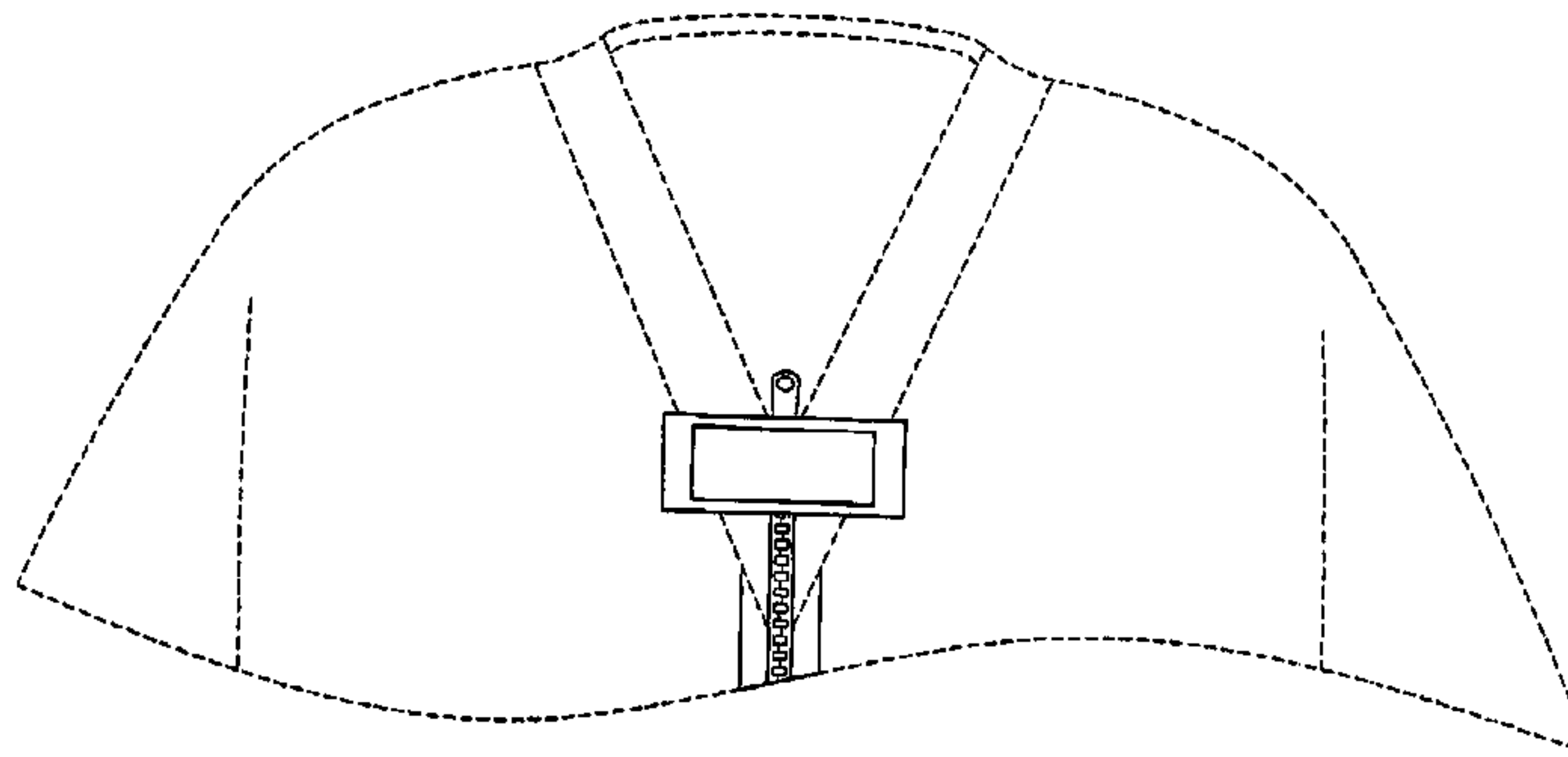
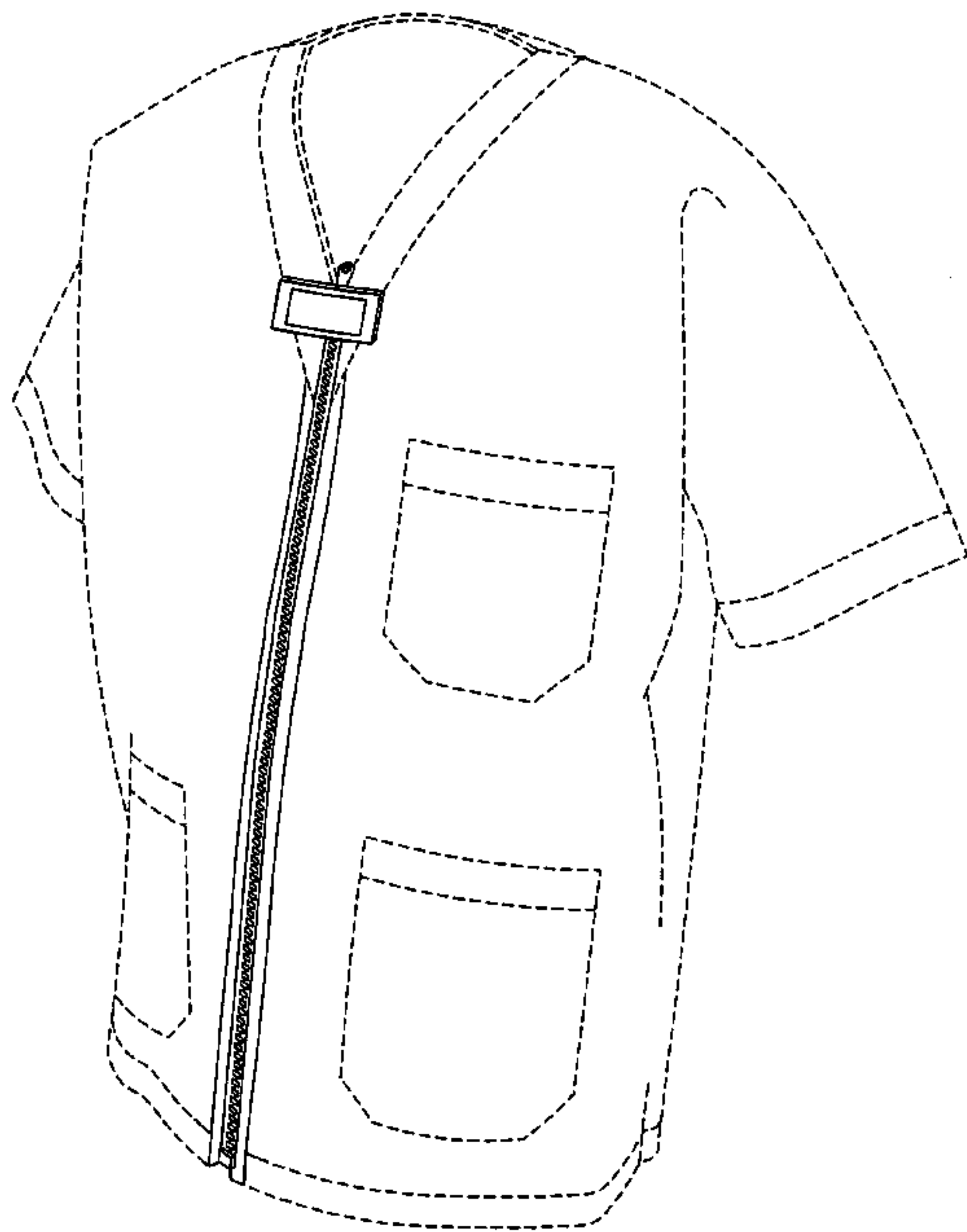
(57) **CLAIM**

The ornamental design for a garment top, as shown and described.

DESCRIPTION

FIG. 1 is a front perspective view of a garment top showing my new design;
FIG. 2 is a rear perspective view thereof; and,
FIG. 3 is an enlarged partial front elevational view of the garment's neck line.

1 Claim, 3 Drawing Sheets



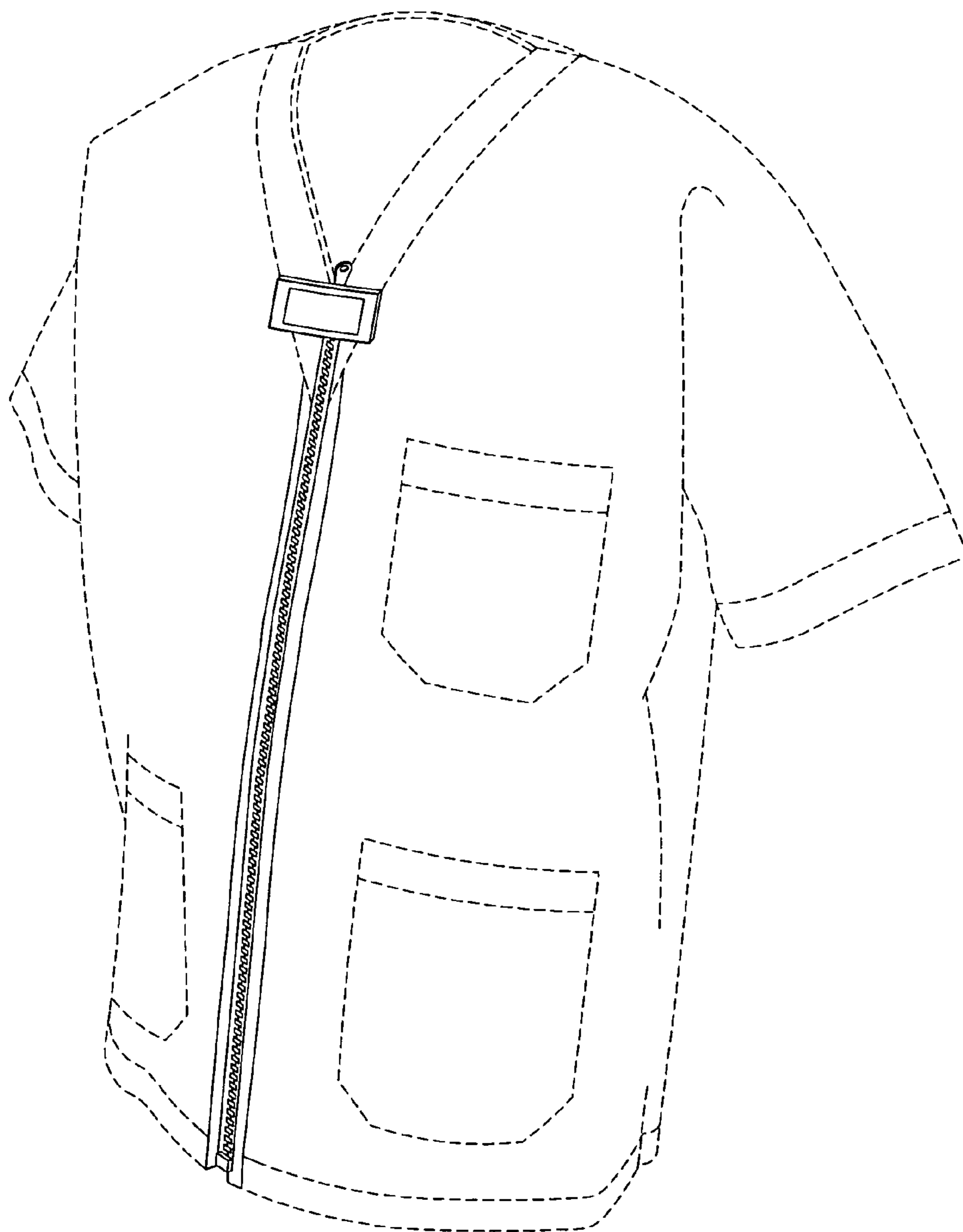


FIG. 1

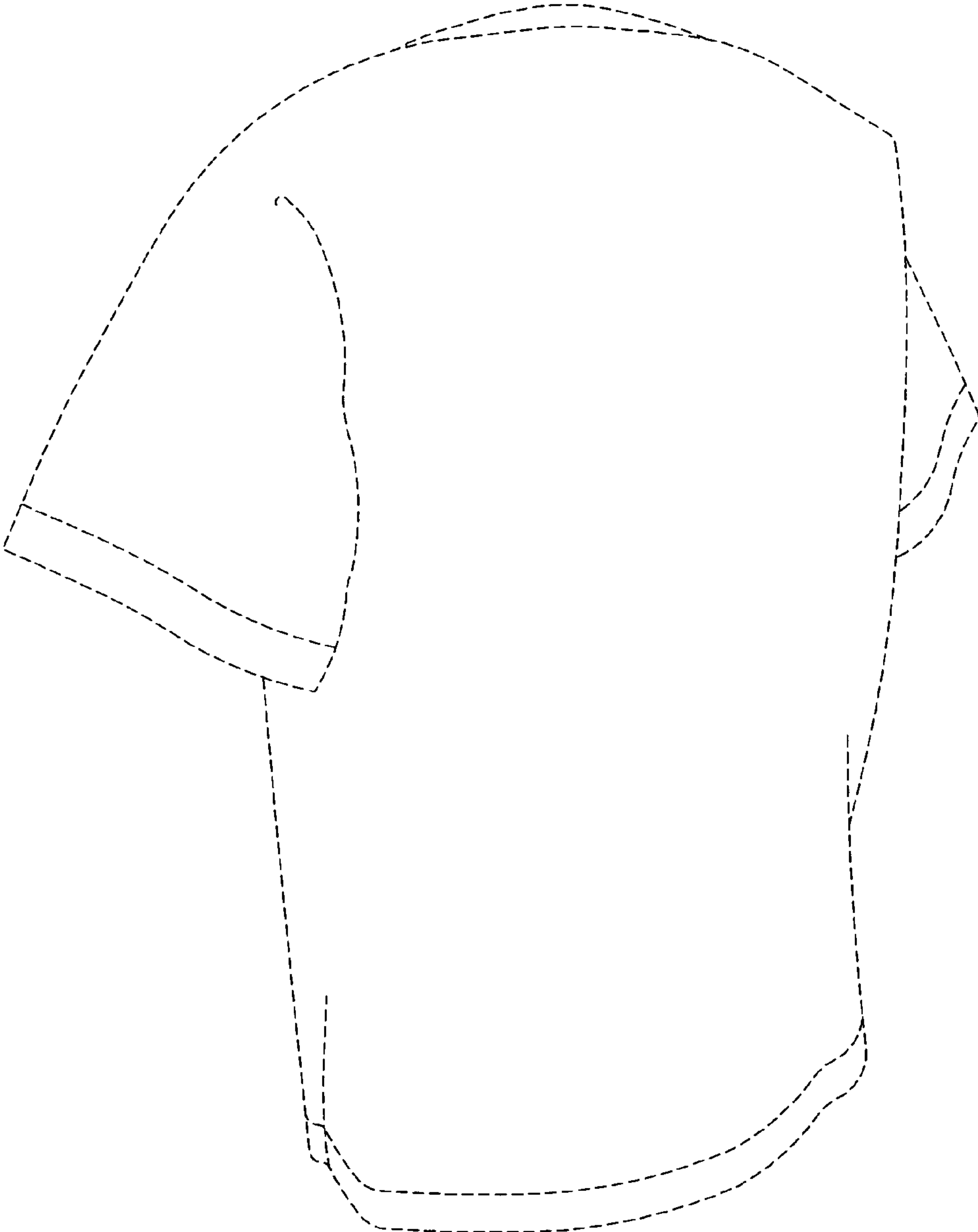


FIG. 2

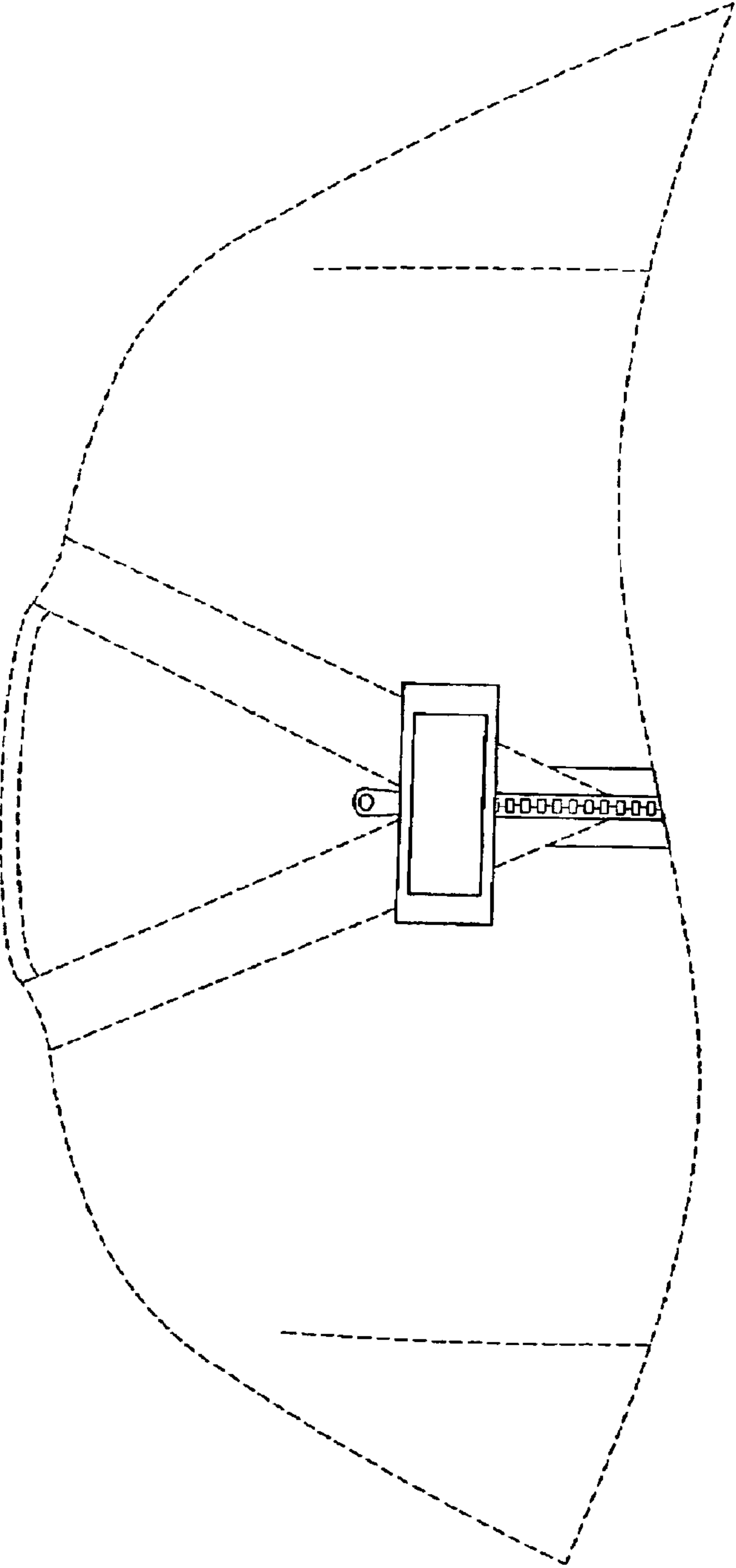


FIG. 3