



US00D644001S

(12) **United States Design Patent**  
**Bruyea et al.**

(10) **Patent No.:** **US D644,001 S**

(45) **Date of Patent:** **\*\* \*Aug. 30, 2011**

(54) **CONFECTIONARY**

(75) Inventors: **David Bruyea**, Toronto (CA); **Hugh Calvert**, Aurora, IL (US); **Martin Cervenka**, Chicago, IL (US); **Wendy Lau**, Chicago, IL (US); **Ronald L. Ream**, Plano, IL (US); **Christopher Rowe**, Barrington, IL (US); **Dennis Rybolt**, Beecher, IL (US); **Henry Valdez**, St. Charles, IL (US)

(73) Assignee: **Wm. Wringley Jr. Company**, Chicago, IL (US)

(\*) Notice: This patent is subject to a terminal disclaimer.

(\*\*) Term: **14 Years**

(21) Appl. No.: **29/378,046**

(22) Filed: **Oct. 28, 2010**

(51) **LOC (9) Cl.** ..... **01-01**

(52) **U.S. Cl.** ..... **D1/127**

(58) **Field of Classification Search** ..... D1/100-199;  
D24/101, 102; 426/3, 5, 87, 89, 92, 103,  
426/104, 129, 138, 144, 249, 660, 383, 512,  
426/516, 808; 424/467; D25/113, 119, 121-132;  
D21/499

See application file for complete search history.

(56) **References Cited**

**U.S. PATENT DOCUMENTS**

D28,376	S	*	3/1898	Weber	.....	D25/113
810,210	A		1/1906	Laws		
1,855,145	A		12/1926	Jones		
1,836,604	A	*	12/1931	Meyer	.....	127/30
1,894,605	A	*	1/1933	Wright	.....	446/122
D90,592	S	*	8/1933	Peterson	.....	D1/121
D98,858	S	*	3/1936	Gager	.....	D1/121
D100,257	S	*	7/1936	Brooks	.....	D1/121

3,012,377	A	*	12/1961	Sunukjian	.....	52/286
3,358,379	A	*	12/1967	Coley	.....	34/287
4,121,397	A	*	10/1978	Marcocci et al.	.....	52/286
D271,439	S	*	11/1983	Schumacher	.....	D1/127
D271,534	S		11/1983	Huzinee		
5,538,742	A	*	7/1996	McHale et al.	.....	426/5
D397,270	S	*	8/1998	Maalouf	.....	D6/601
D428,681	S	*	8/2000	Aftoora	.....	D1/127
D478,706	S	*	8/2003	Cotten	.....	D1/127
D605,828	S	*	12/2009	Brown et al.	.....	D1/127
2003/0129281	A1	*	7/2003	Murray et al.	.....	426/92
2004/0052909	A1	*	3/2004	Contento et al.	.....	426/99
2007/0014889	A1		1/2007	McHale et al.		
2007/0160707	A1		7/2007	Garcia		

**FOREIGN PATENT DOCUMENTS**

WO 2003032744 A1 4/2003

**OTHER PUBLICATIONS**

Gum, Two Photos.  
Stiped Gum, Two Photos.

\* cited by examiner

*Primary Examiner* — Cathron Brooks

*Assistant Examiner* — Barbara Fox

(74) *Attorney, Agent, or Firm* — Armstrong Teasdale LLP

(57) **CLAIM**

The ornamental design for a confectionary, as shown and described.

**DESCRIPTION**

FIG. 1 is perspective view of a confectionary in accordance with the present invention.

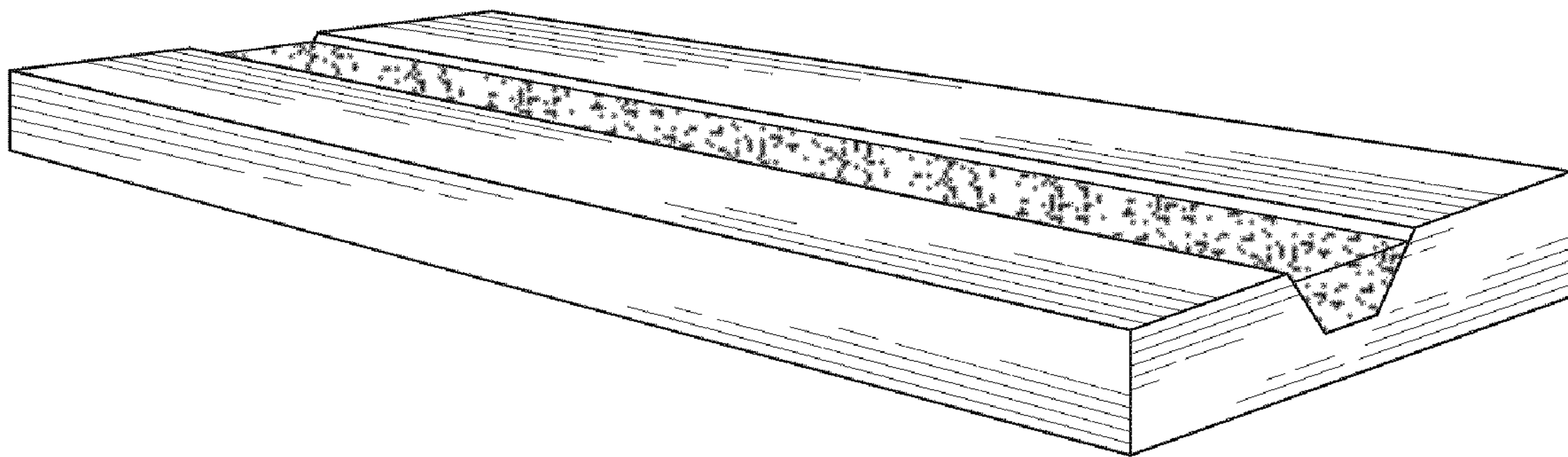
FIG. 2 is a top view of the confectionary shown in FIG. 1.

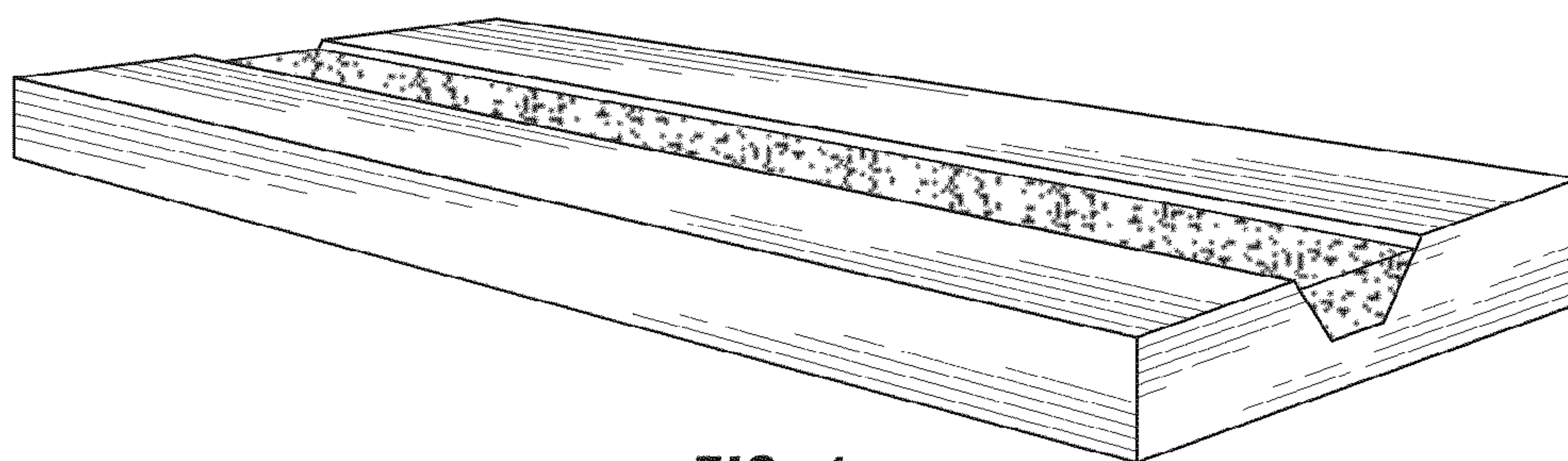
FIG. 3 is a right side view of the confectionary shown in FIG. 1, with the left side view being identical thereto.

FIG. 4 is a front view of the confectionary shown in FIG. 1, with the rear view being identical thereto; and,

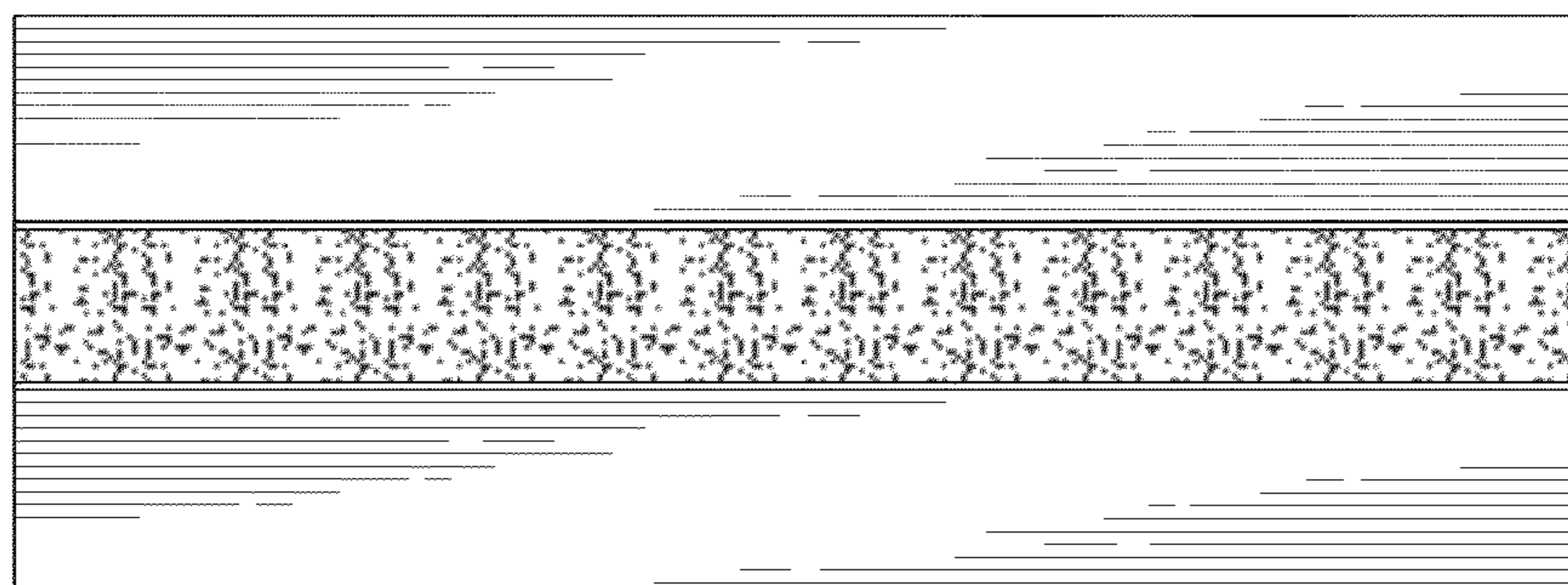
FIG. 5 is a bottom view of the confectionary shown in FIG. 1. The stippled shading in the drawings illustrates a filling.

**1 Claim, 1 Drawing Sheet**

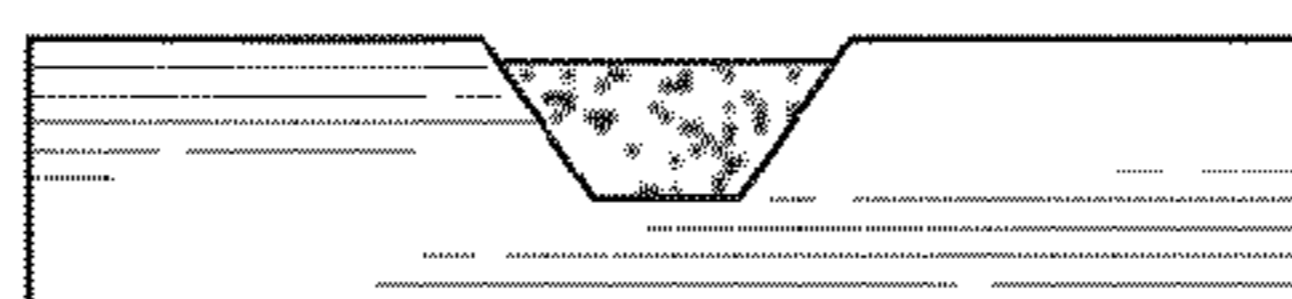




**FIG. 1**



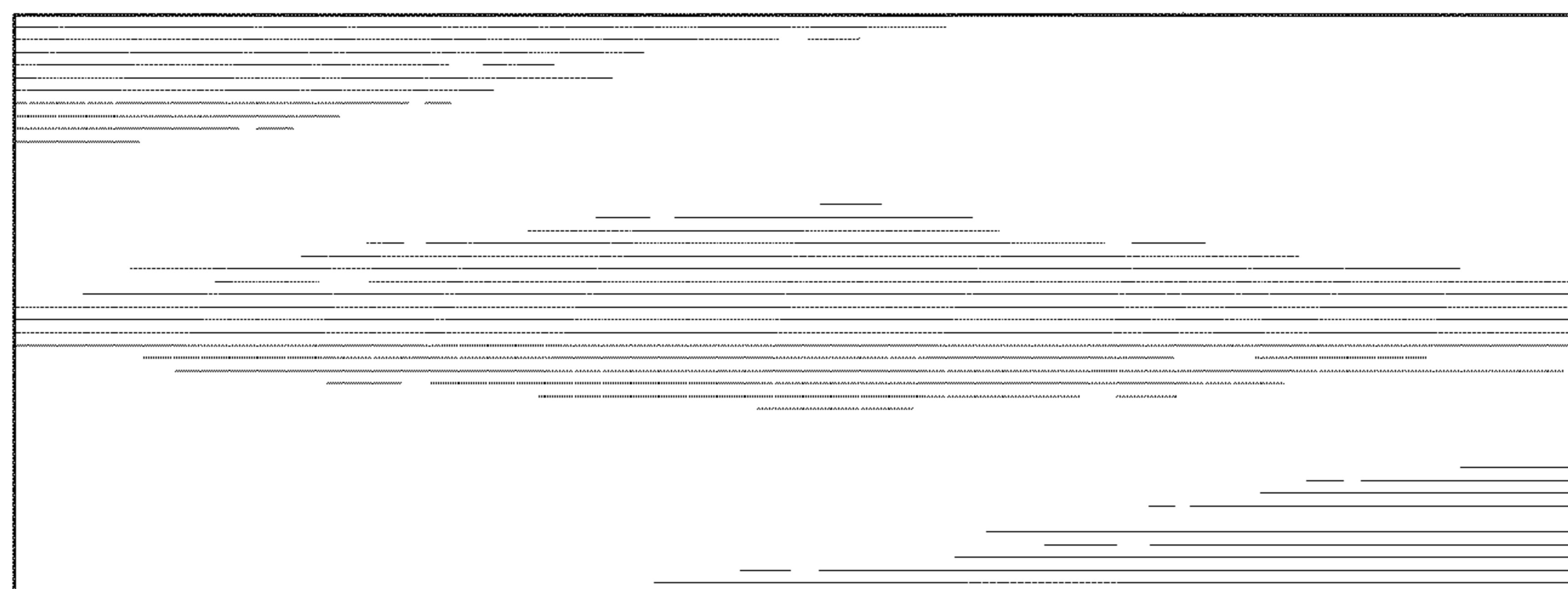
**FIG. 2**



**FIG. 3**



**FIG. 4**



**FIG. 5**

UNITED STATES PATENT AND TRADEMARK OFFICE  
**CERTIFICATE OF CORRECTION**

PATENT NO. : D644,001 S  
APPLICATION NO. : 29/378046  
DATED : August 30, 2011  
INVENTOR(S) : David Bruyea et al.

Page 1 of 1

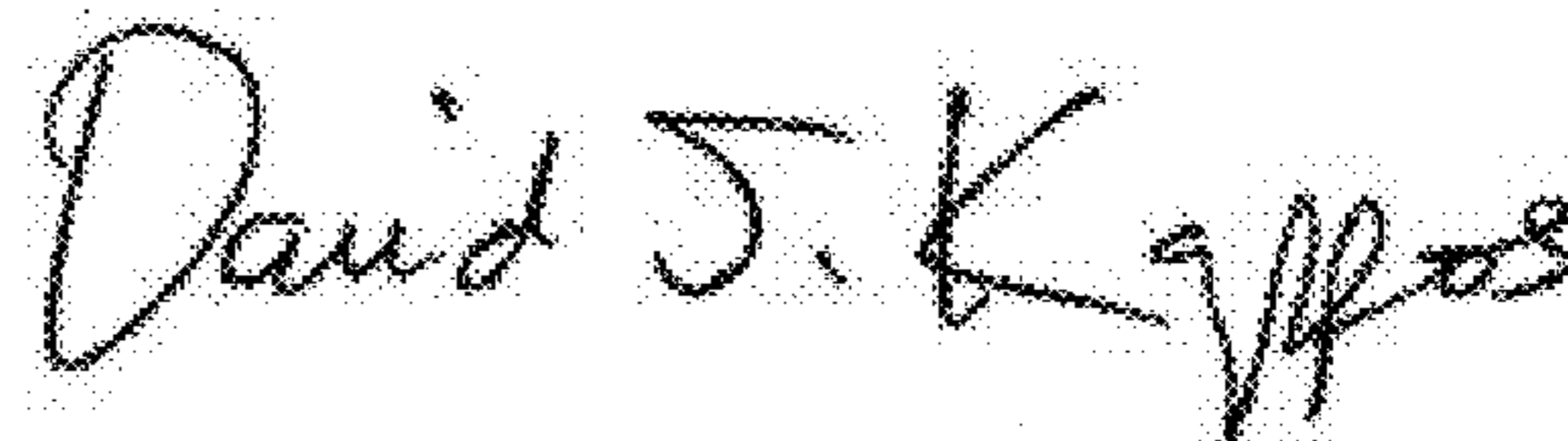
It is certified that error appears in the above-identified patent and that said Letters Patent is hereby corrected as shown below:

Title Page, Item (73),

The Assignee: delete "Wm. Wrigley Jr. Company, Chicago, IL (US)"

and insert therefor -- Wm. Wrigley Jr. Company, Chicago, IL (US) --

Signed and Sealed this  
Eighteenth Day of October, 2011

A handwritten signature in black ink that reads "David J. Kappos". The signature is written in a cursive style with a large initial 'D' and 'K'.

David J. Kappos  
*Director of the United States Patent and Trademark Office*