



US00D643999S

(12) **United States Design Patent**
Bruyee et al.

(10) **Patent No.:** **US D643,999 S**

(45) **Date of Patent:** **** *Aug. 30, 2011**

(54) **CONFECTIONARY**

(75) Inventors: **David Bruyee**, Toronto (CA); **Hugh Calvert**, Aurora, IL (US); **Martin Cervenka**, Chicago, IL (US); **Wendy Lau**, Chicago, IL (US); **Ronald L. Ream**, Plano, IL (US); **Christopher Rowe**, Barrington, IL (US); **Dennis Rybolt**, Beecher, IL (US); **Henry Valdez**, St. Charles, IL (US)

(73) Assignee: **Wm. Wrigley Jr. Company**, Chicago, IL (US)

(*) Notice: This patent is subject to a terminal disclaimer.

(**) Term: **14 Years**

(21) Appl. No.: **29/378,032**

(22) Filed: **Oct. 28, 2010**

(51) **LOC (9) Cl.** **01-01**

(52) **U.S. Cl.** **D1/127**

(58) **Field of Classification Search** D1/100-199;
D24/101, 102; 426/3, 5, 87, 89, 92, 103,
426/104, 129, 138, 144, 249, 660, 383, 512,
426/516, 808; 424/467; D25/113, 119, 121-132;
D21/499

See application file for complete search history.

(56) **References Cited**

U.S. PATENT DOCUMENTS

D33,480	S	*	10/1900	Meeker	D25/157
D34,052	S	*	2/1901	Simon	D1/121
810,210	A		1/1906	Laws		
1,855,145	A		12/1926	Jones		
1,836,604	A	*	12/1931	Meyer	127/30
D90,688	S	*	9/1933	Sherrill	D1/121
D99,993	S	*	6/1936	Brooks	D1/121
D101,634	S	*	10/1936	Iannone	D25/113

D137,301	S	*	2/1944	Willems	D1/103
2,386,416	A	*	10/1945	Wilhelm	206/539
2,440,936	A	*	5/1948	Elmendorf et al.	52/483.1
D271,439	S		11/1983	Schumacker		
D271,534	S		11/1983	Huzinee		
D397,270	S	*	8/1998	Maalouf	D6/601
D408,818	S	*	4/1999	Klayman	D14/213
6,039,995	A	*	3/2000	Zamzow	426/518
D445,512	S	*	7/2001	Sievert	D25/113
D478,706	S		8/2003	Cotten		
6,942,885	B2	*	9/2005	Ross et al.	426/94
7,112,345	B1	*	9/2006	McHale et al.	426/5
2007/0014889	A1		1/2007	McHale et al.		
2007/0160707	A1		7/2007	Garcia		

FOREIGN PATENT DOCUMENTS

WO 2003032744 A1 4/2003

OTHER PUBLICATIONS

Gum, Two Photos.
Stiped Gum, Two Photos.

* cited by examiner

Primary Examiner — Cathron Brooks

Assistant Examiner — Barbara Fox

(74) *Attorney, Agent, or Firm* — Armstrong Teasdale LLP

(57) **CLAIM**

The ornamental design for a confectionary, as shown and described.

DESCRIPTION

FIG. 1 is perspective view of a confectionary in accordance with the present invention.

FIG. 2 is a top view of the confectionary shown in FIG. 1.

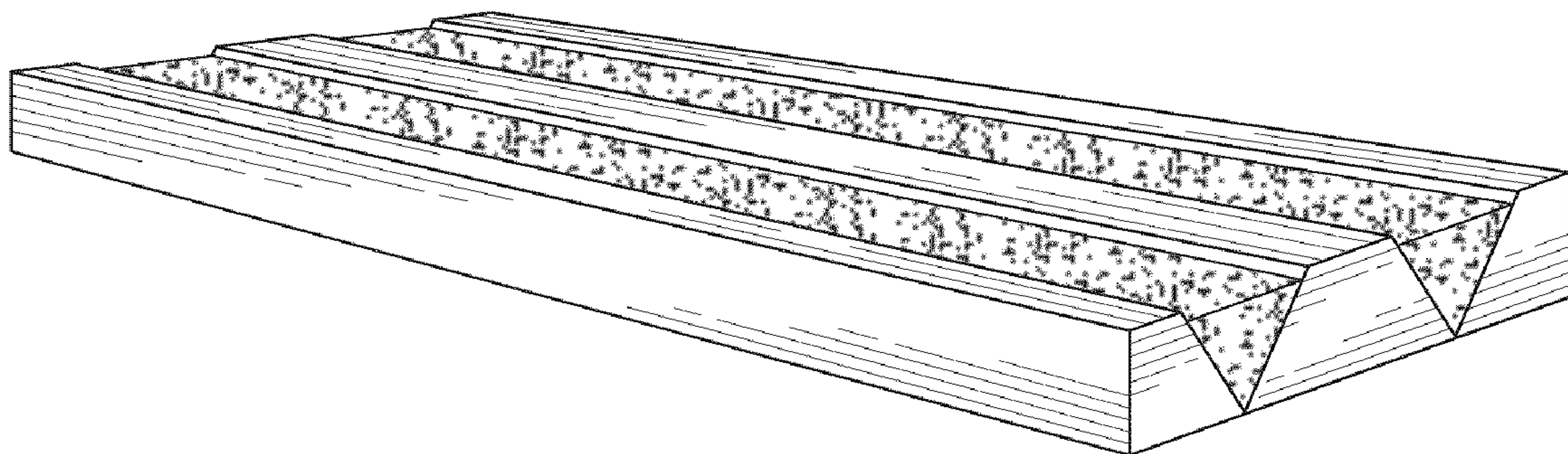
FIG. 3 is a right side view of the confectionary shown in FIG. 1, with the left side view being identical thereto.

FIG. 4 is a front view of the confectionary shown in FIG. 1, with the rear view being identical thereto; and,

FIG. 5 is a bottom view of the confectionary shown in FIG. 1.

The stippled shading in the drawings illustrates a filling.

1 Claim, 1 Drawing Sheet



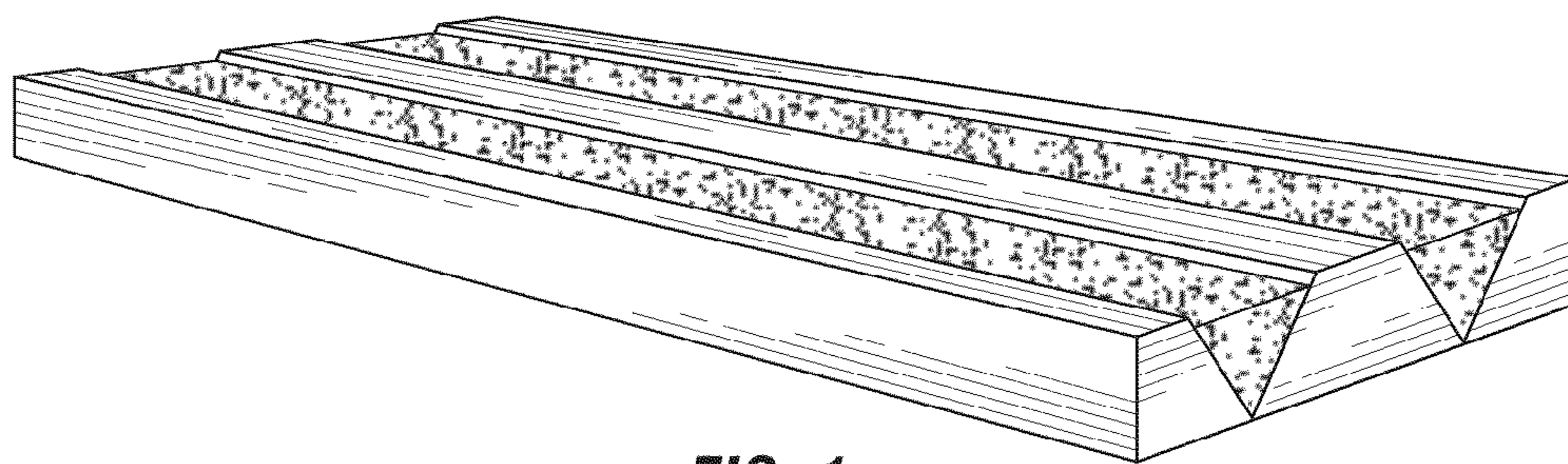


FIG. 1

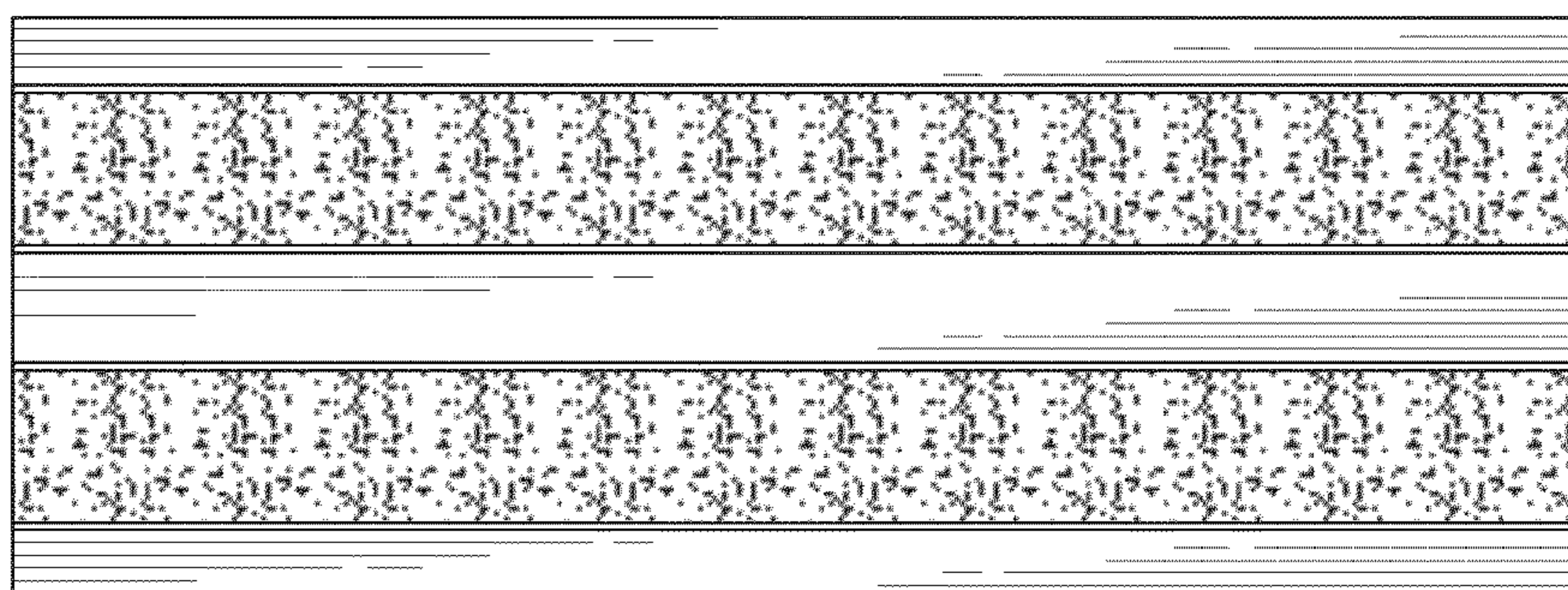


FIG. 2

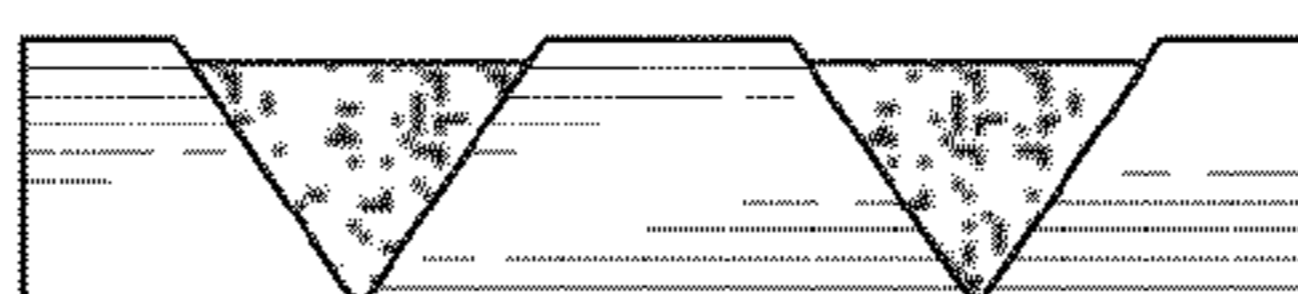


FIG. 3



FIG. 4

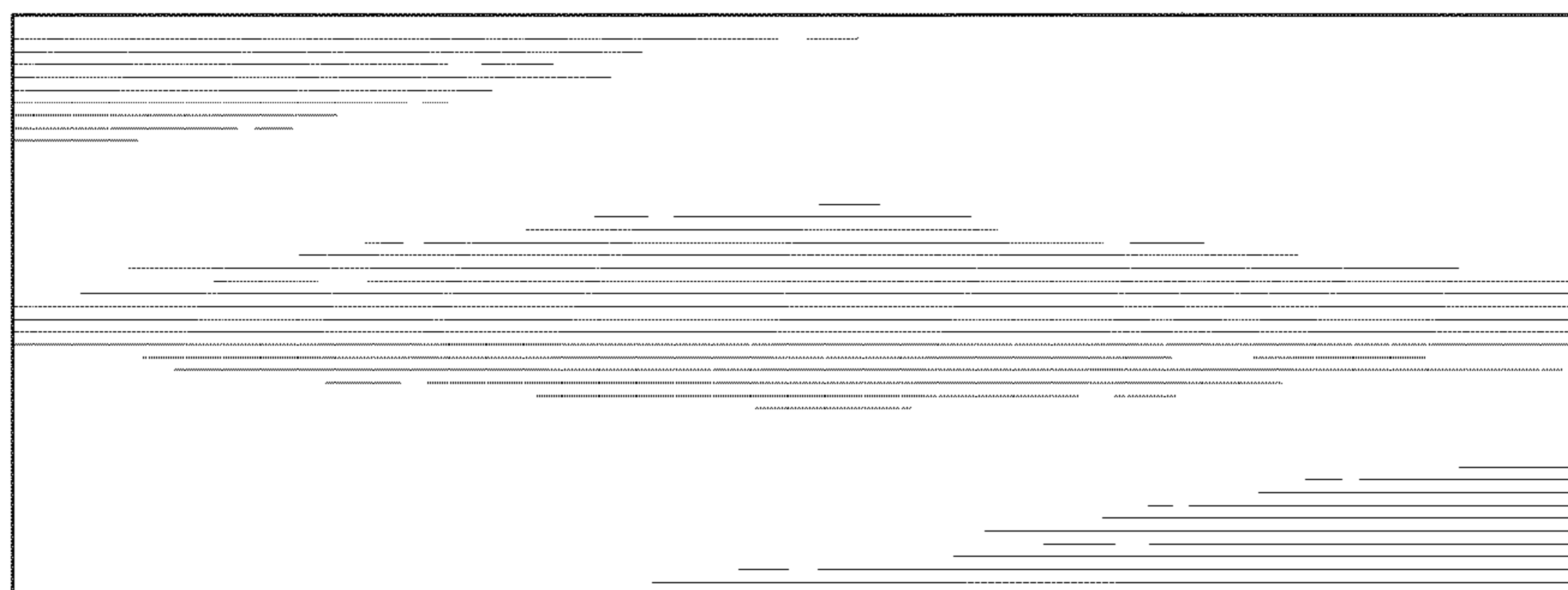


FIG. 5