



US00D643993S

(12) **United States Design Patent**
Biegel

(10) **Patent No.:** **US D643,993 S**

(45) **Date of Patent:** **** Aug. 23, 2011**

(54) **CREMATORY URN**

(76) Inventor: **Achim Biegel**, Oberthal (DE)

(**) Term: **14 Years**

(21) Appl. No.: **29/377,108**

(22) Filed: **Oct. 18, 2010**

(30) **Foreign Application Priority Data**

Apr. 27, 2010 (EM) 001700600-0004

(51) **LOC (9) Cl.** **99-01**

(52) **U.S. Cl.** **D99/5**

(58) **Field of Classification Search** D99/1,
D99/5, 10; D7/510, 601, 538, 629; D9/428,
D9/503; 206/508, 216; 220/284, 259.3,
220/288; 27/2-10; 229/125.19

See application file for complete search history.

(56) **References Cited**

U.S. PATENT DOCUMENTS

1,587,167	A *	6/1926	Marsden	215/355
1,903,212	A *	3/1933	Frost	229/125.015
1,963,795	A *	6/1934	Lang	220/624
2,487,400	A *	11/1949	Tupper	220/802
3,044,610	A *	7/1962	Tupper	220/270
D212,843	S *	12/1968	Hart et al.	D9/452
D289,269	S *	4/1987	Fleckenstein	D11/157
4,966,294	A *	10/1990	Mack et al.	220/266
D344,210	S *	2/1994	Cousins et al.	D7/538

5,423,451	A *	6/1995	Snyder	220/574
D365,498	S *	12/1995	Lillelund et al.	D7/505
D434,201	S *	11/2000	Thesken	D99/5
D613,598	S *	4/2010	Westphal	D9/503

FOREIGN PATENT DOCUMENTS

EM	001130793-0004	S	7/2009
EM	001700600-0001	S	5/2010

OTHER PUBLICATIONS

U.S. Appl. No. 29/340,899, filed Aug. 3, 2010, Achim Biegel.

* cited by examiner

Primary Examiner — Paula Greene

(57) **CLAIM**

The ornamental design for a crematory urn, as shown and described.

DESCRIPTION

FIG. 1 is a perspective view of a crematory urn showing my new design;

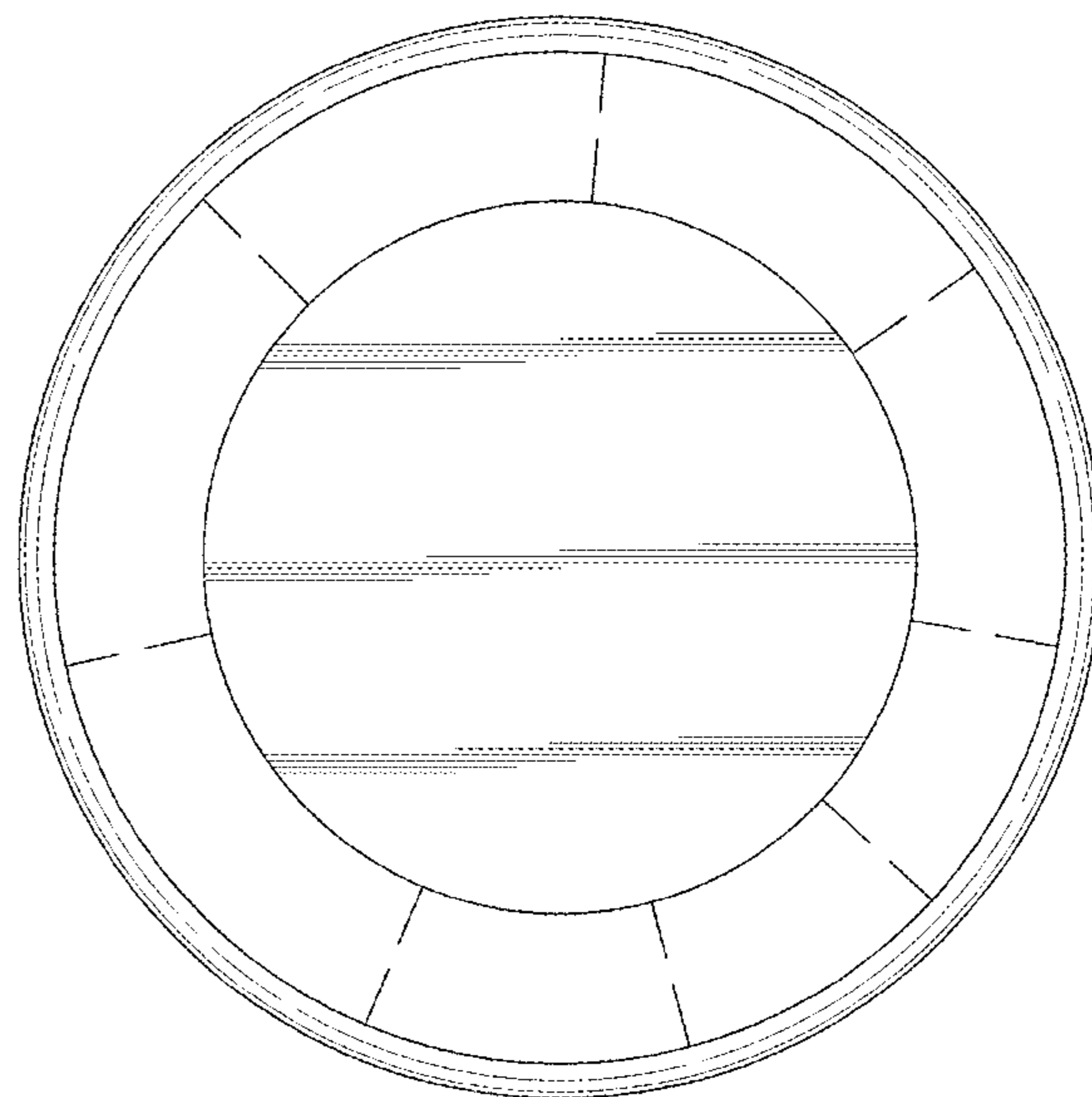
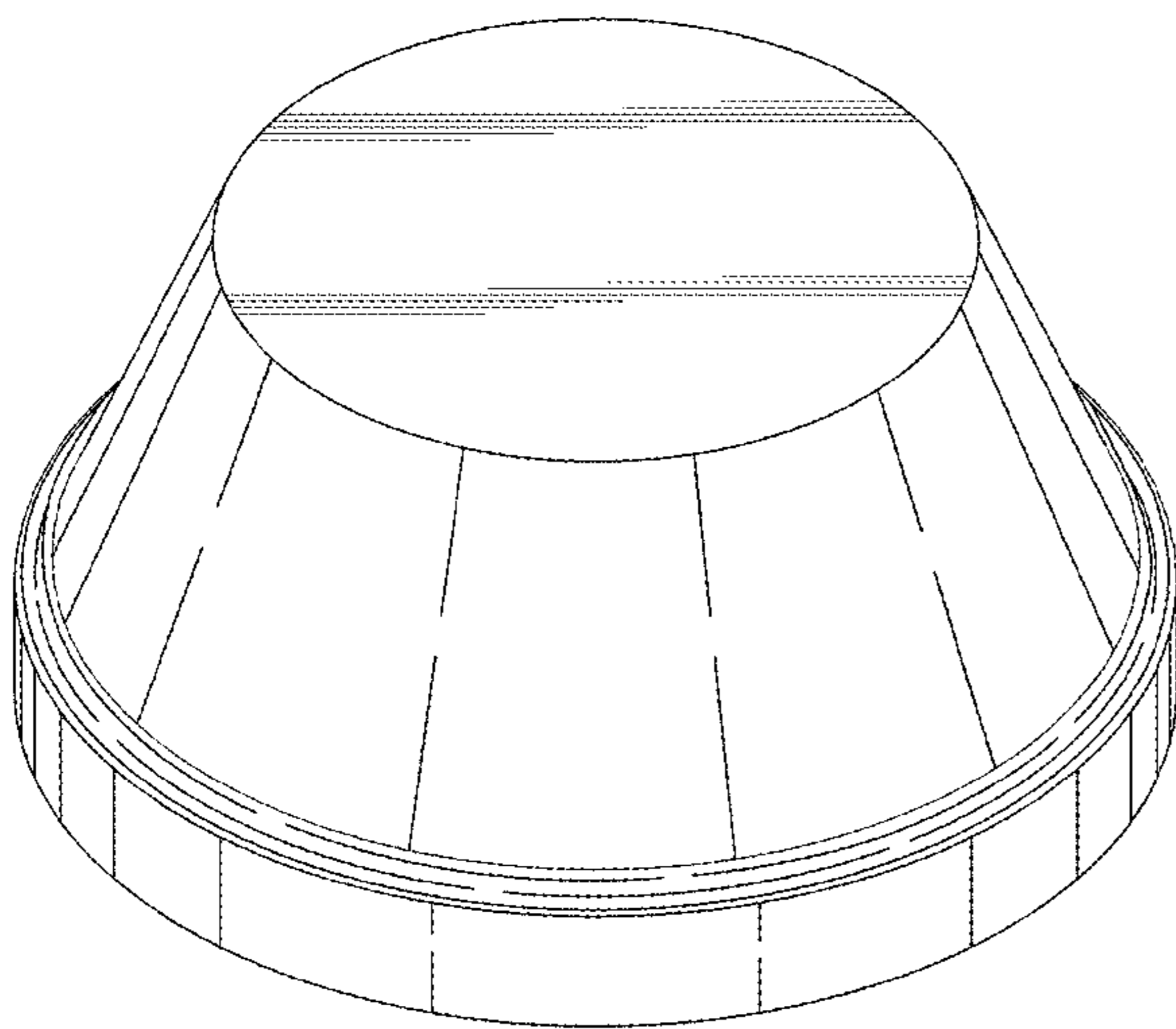
FIG. 2 is a front elevational view, the left side, right side and rear elevational views are a mirror image thereof;

FIG. 3 is a top plan view thereof;

FIG. 4 is a bottom plan view thereof; and,

FIG. 5 is a perspective view of the bottom thereof.

1 Claim, 5 Drawing Sheets



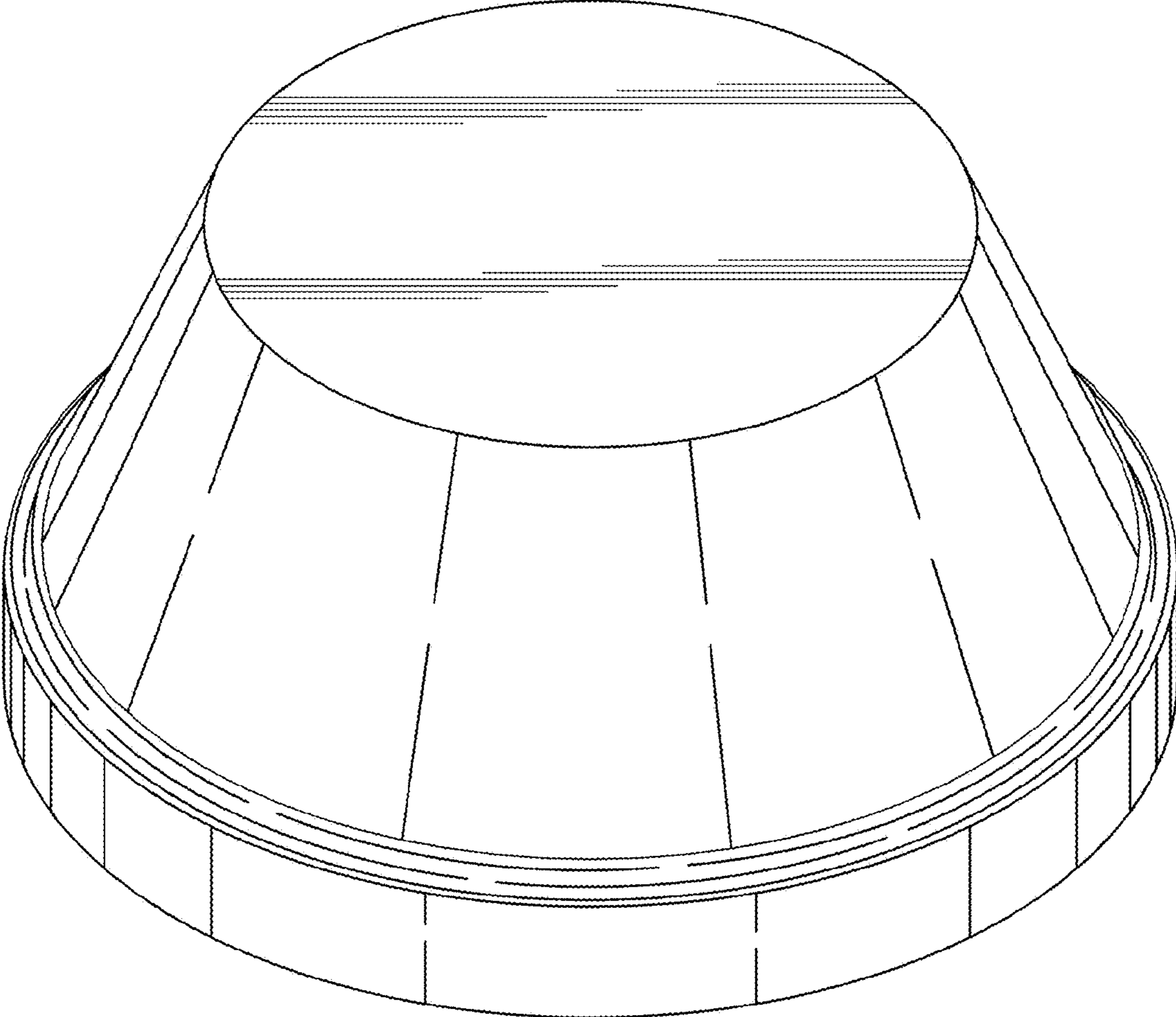


Fig. 1

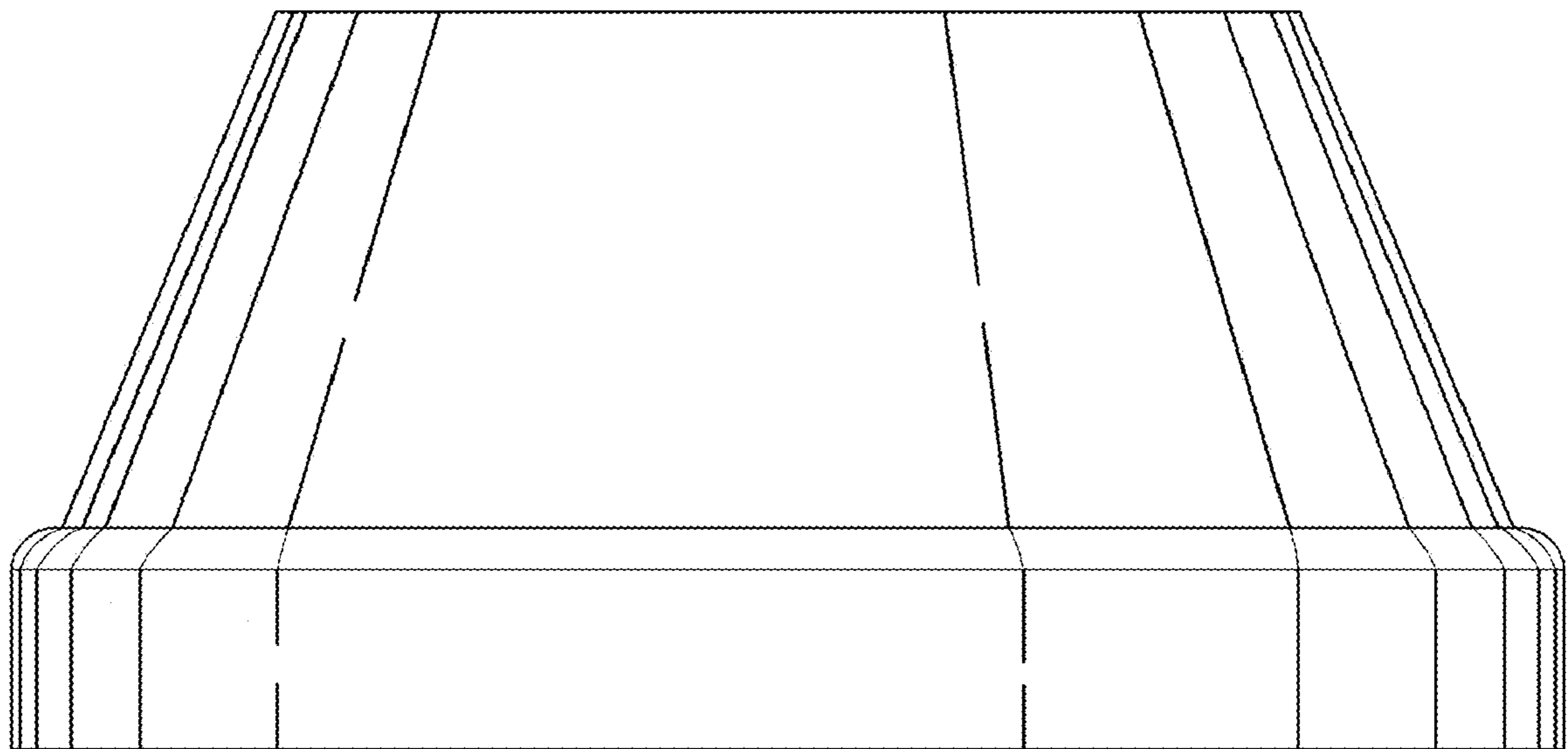


Fig. 2

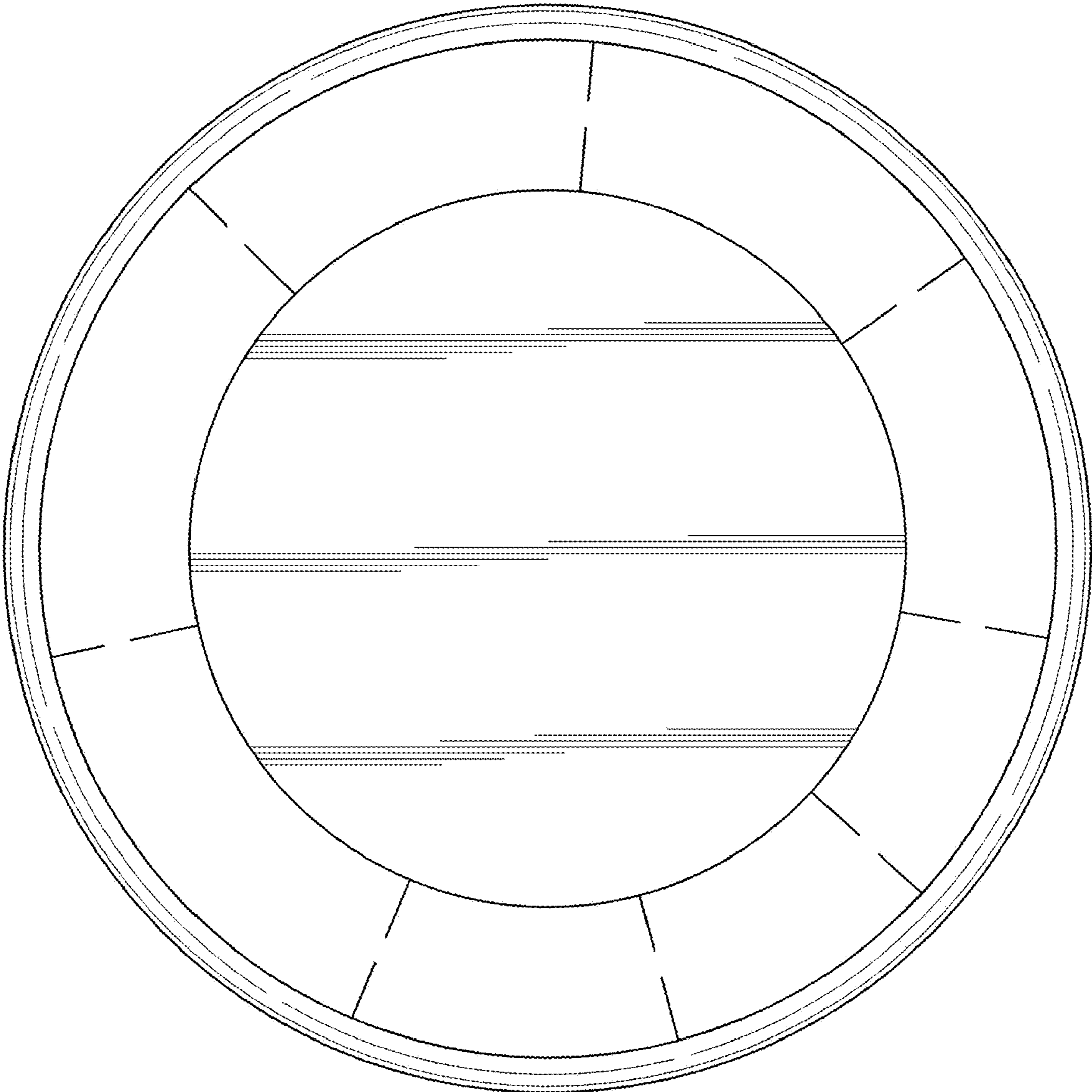


Fig. 3

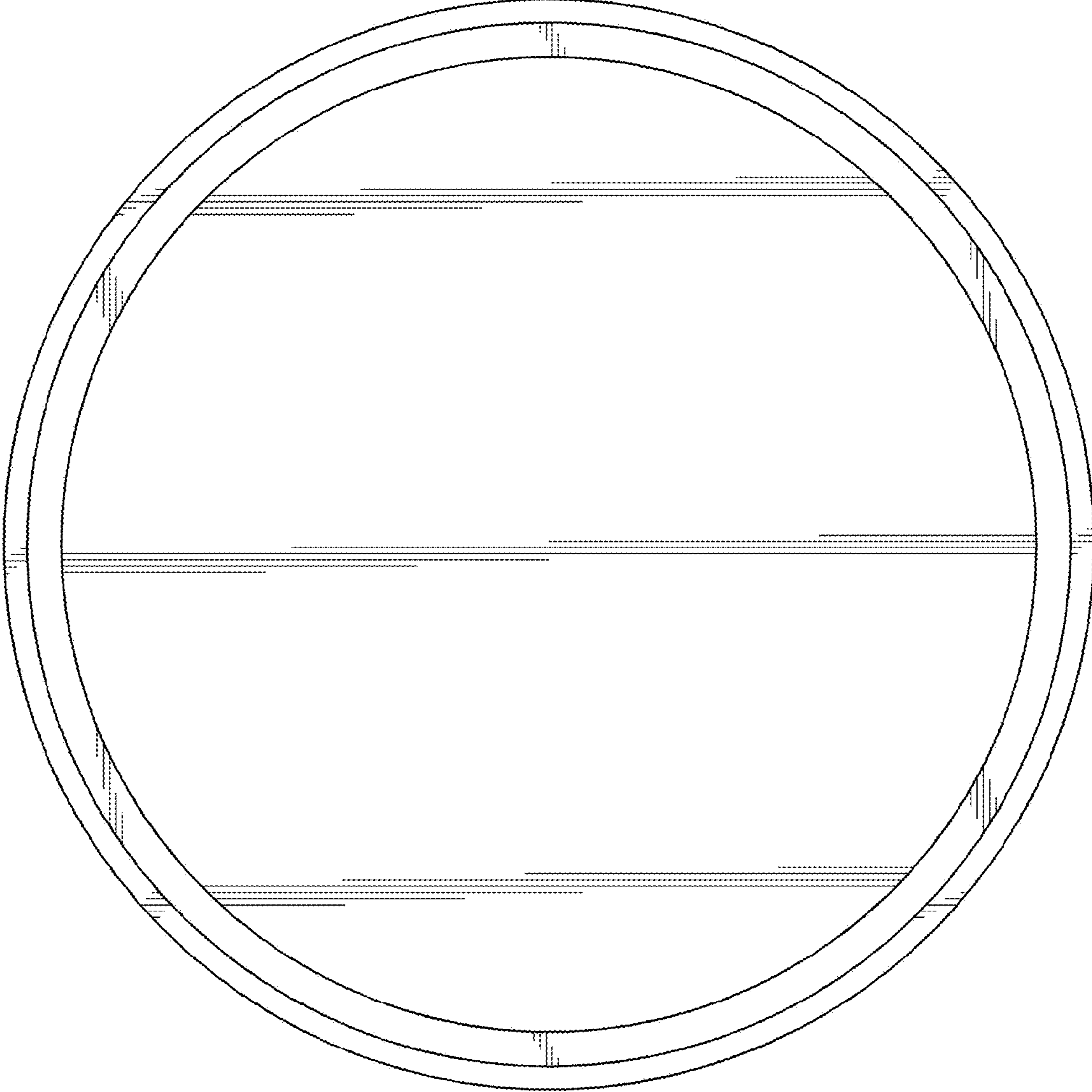


Fig. 4

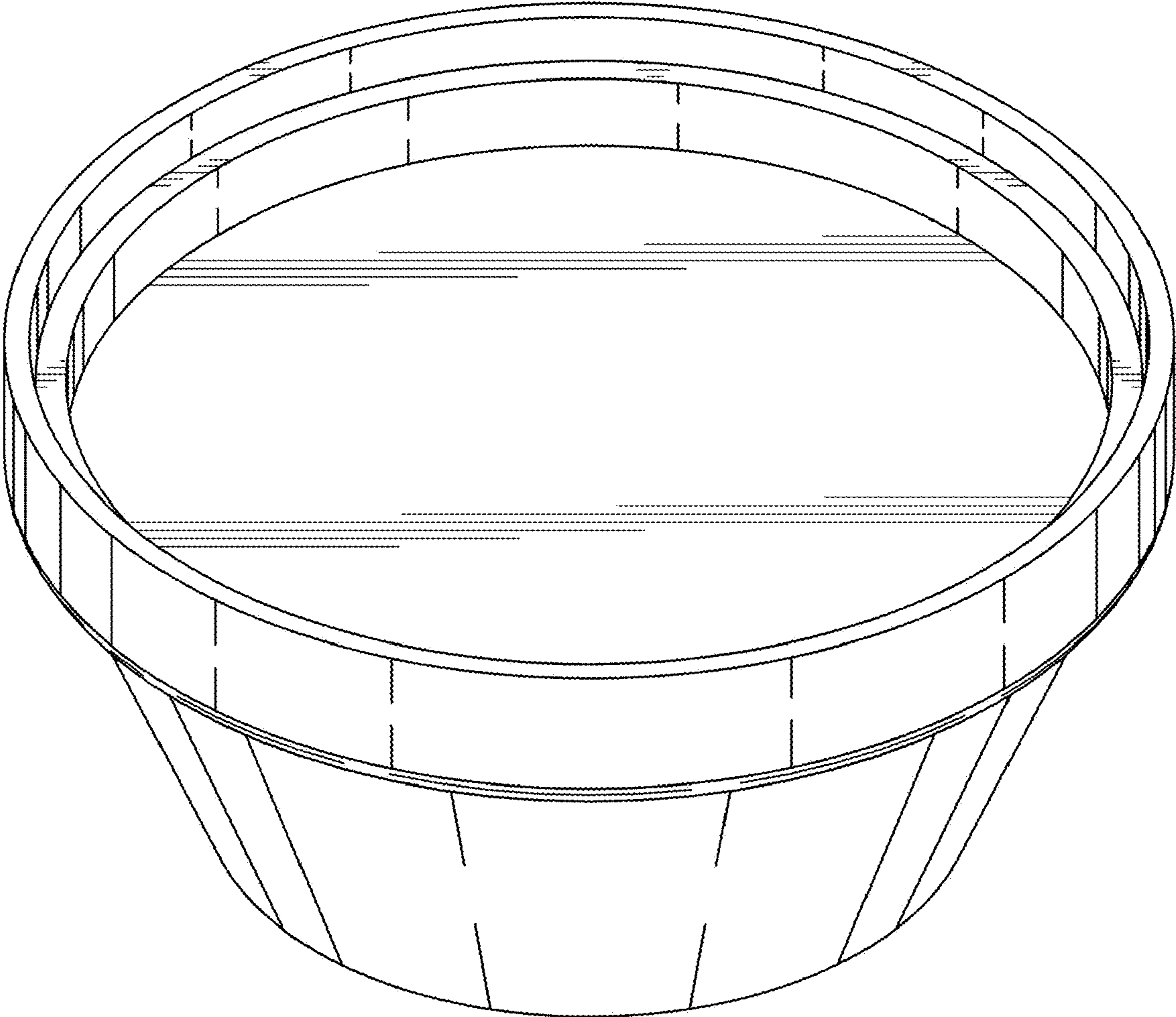


Fig. 5