



US00D643992S

(12) **United States Design Patent**
Thomas et al.

(10) **Patent No.:** **US D643,992 S**

(45) **Date of Patent:** **** Aug. 23, 2011**

(54) **PATIENT ASSISTANCE BELT**

(75) Inventors: **John A. Thomas**, Dallas, TX (US);
Phillip A. Clifford, Dallas, TX (US)

(73) Assignee: **SDS Medical Supply LLC**, Frisco, TX
(US)

(**) Term: **14 Years**

(21) Appl. No.: **29/376,894**

(22) Filed: **Oct. 13, 2010**

(51) **LOC (9) Cl.** **12-05**

(52) **U.S. Cl.** **D34/35**

(58) **Field of Classification Search** D34/28,
D34/35; 5/81.1 R, 83.1, 84.1, 89.1, 88.1,
5/85.1; D24/188, 190; D21/683; D29/101.1;
D30/152

See application file for complete search history.

(56) **References Cited**

U.S. PATENT DOCUMENTS

2,663,031	A *	12/1953	Kalthoff	5/89.1
4,070,721	A *	1/1978	Stasko	5/89.1
D287,778	S *	1/1987	Svensson	D34/28
4,742,588	A *	5/1988	James	5/83.1
4,944,057	A *	7/1990	Shaw	5/89.1
D355,290	S *	2/1995	Parker	D34/28
5,396,670	A *	3/1995	Firebaugh et al.	5/89.1

D366,550	S *	1/1996	Shapiro	D34/28
D367,142	S *	2/1996	Platt	D34/27
6,892,403	B2 *	5/2005	Liljedahl	5/89.1
D629,583	S *	12/2010	Liljedahl	D34/35
2004/0031069	A1 *	2/2004	Damiani et al.	800/14
2005/0273927	A1 *	12/2005	Tally	5/86.1
2009/0178194	A1 *	7/2009	Story	5/81.1 R

* cited by examiner

Primary Examiner — Cynthia Ramirez

(74) *Attorney, Agent, or Firm* — David W. Carstens; Jeffrey
G. Degenfelder; Carstens & Cahoon, LLP

(57) **CLAIM**

The ornamental design for a patient assistance belt, as shown.

DESCRIPTION

FIG. 1 is a front perspective view of the patient assistance belt of the present invention;

FIG. 2 is a front elevation view thereof;

FIG. 3 is a rear elevation view thereof;

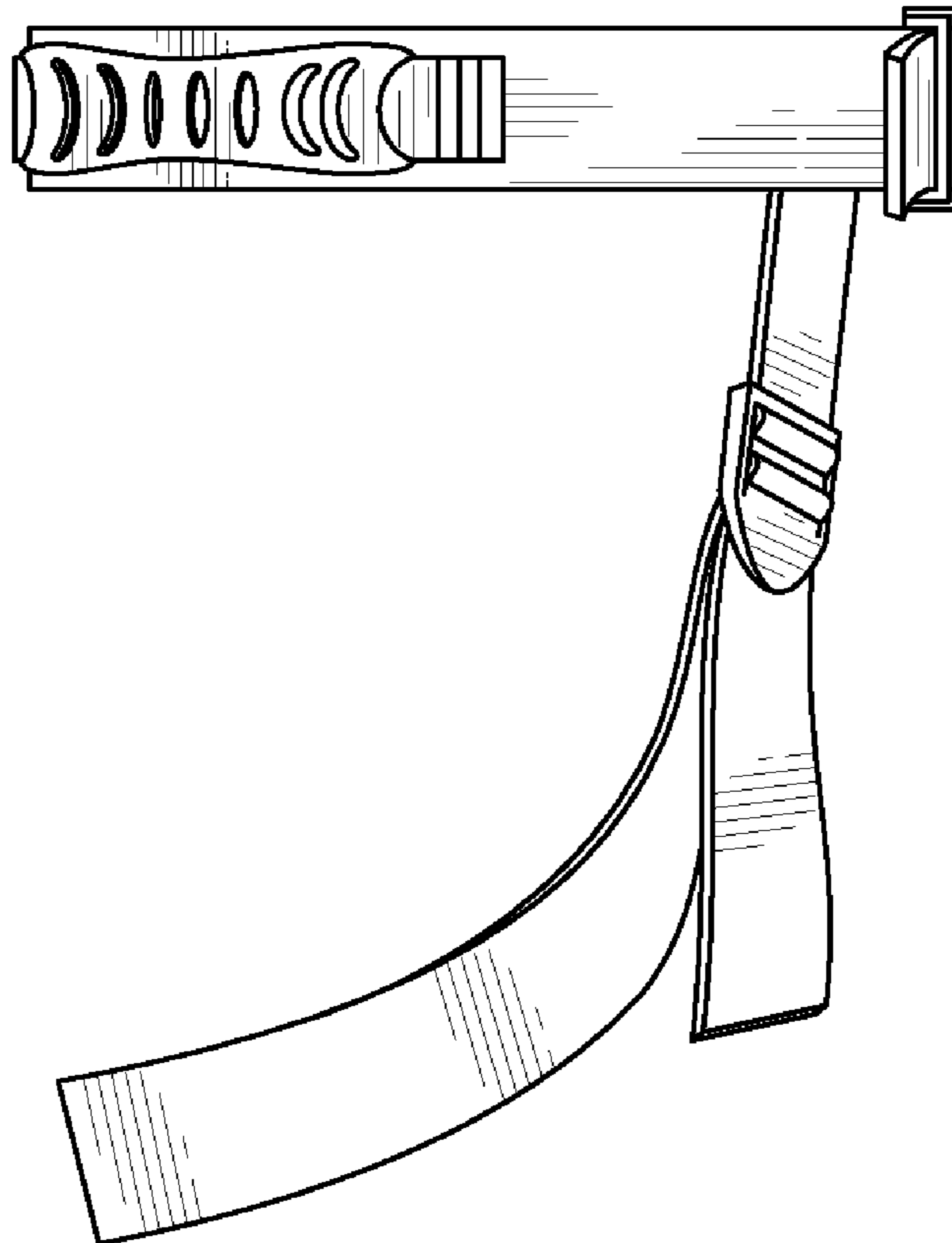
FIG. 4 is a right side elevation view thereof, with the left side being a mirror image thereof;

FIG. 5 is a top plan view thereof; and,

FIG. 6 is a bottom plan view thereof.

The person shown in phantom in FIG. 1, is shown for illustrative purposes only and forms no part of the claimed design.

1 Claim, 4 Drawing Sheets



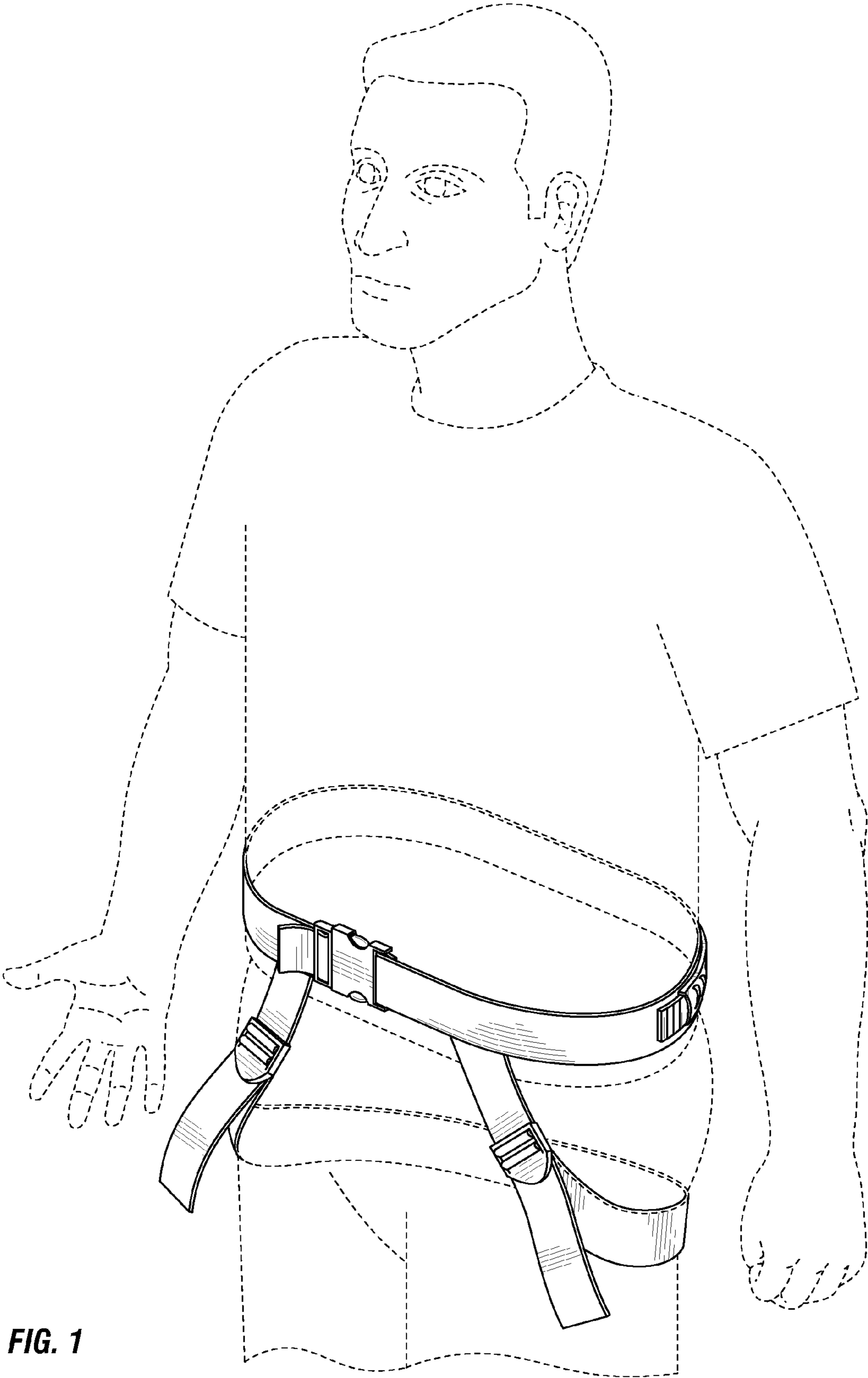


FIG. 1

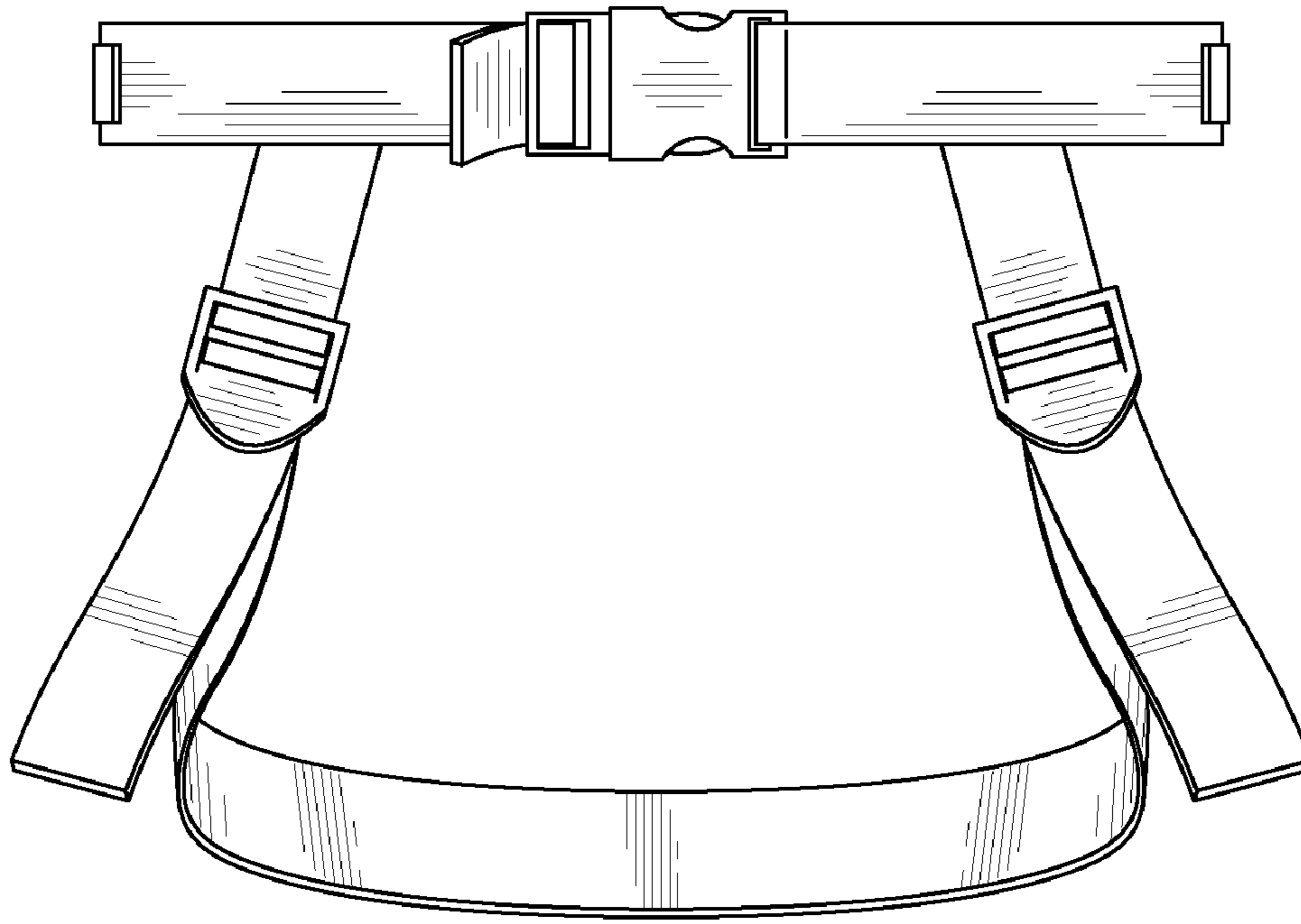


FIG. 2

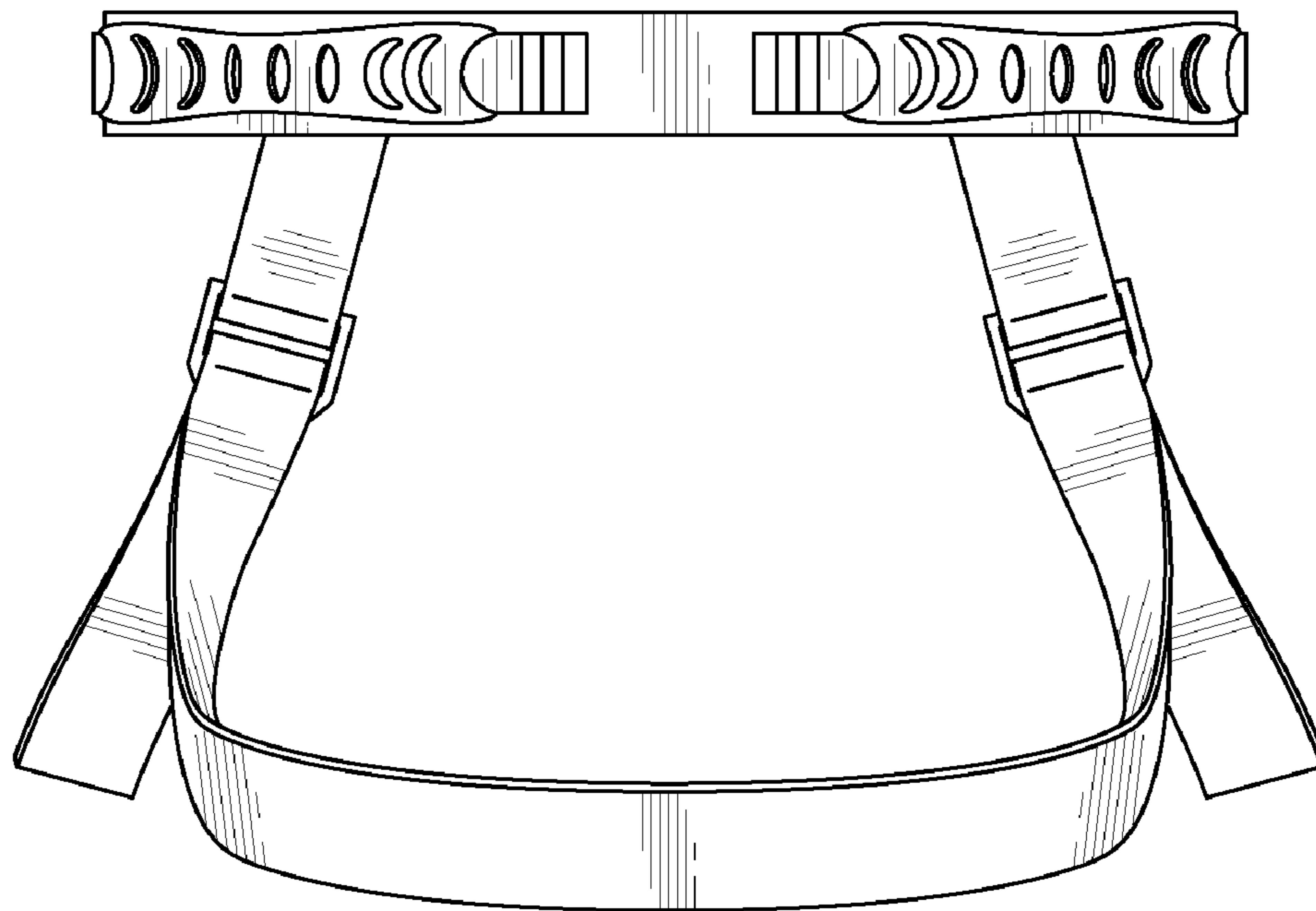


FIG. 3

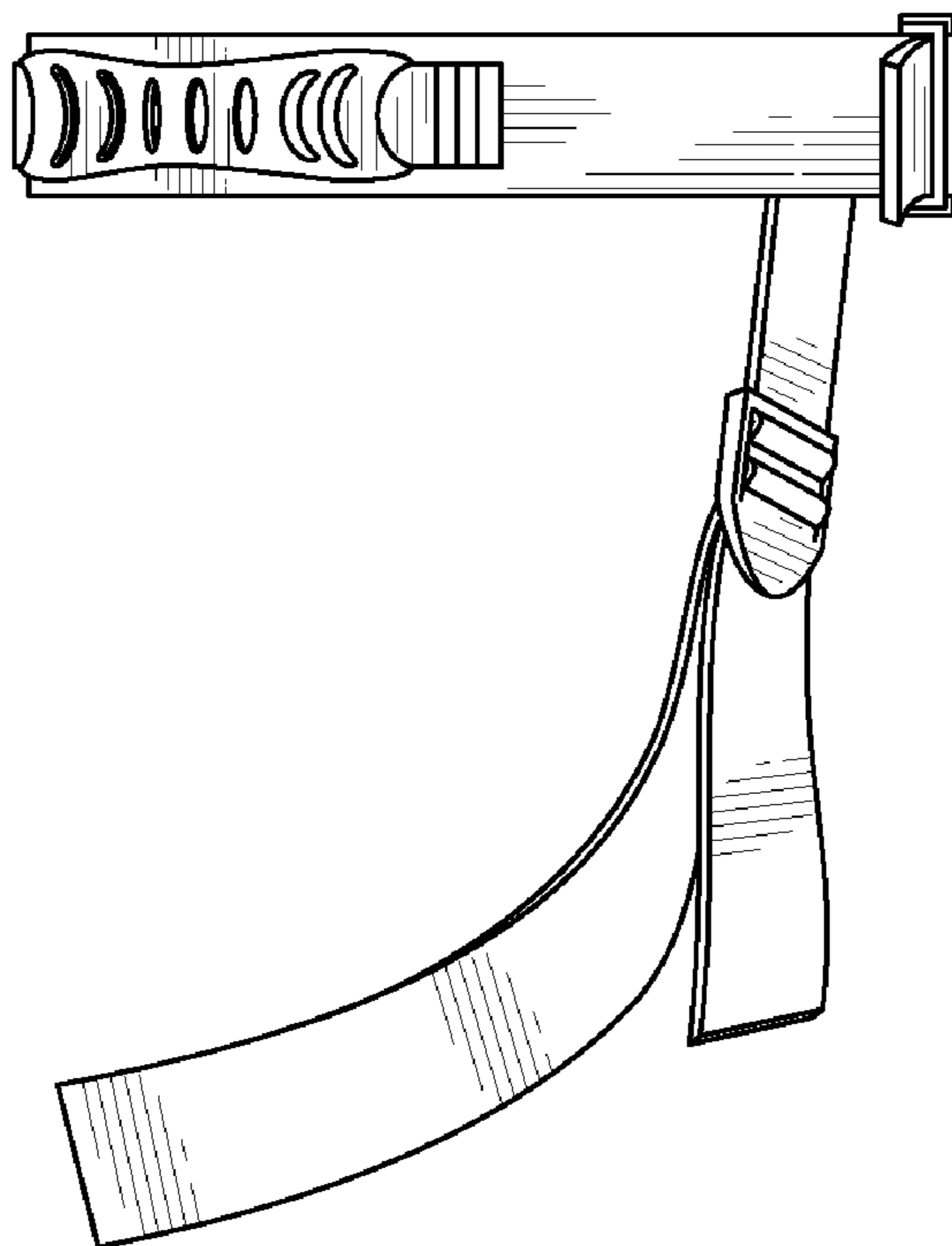


FIG. 4

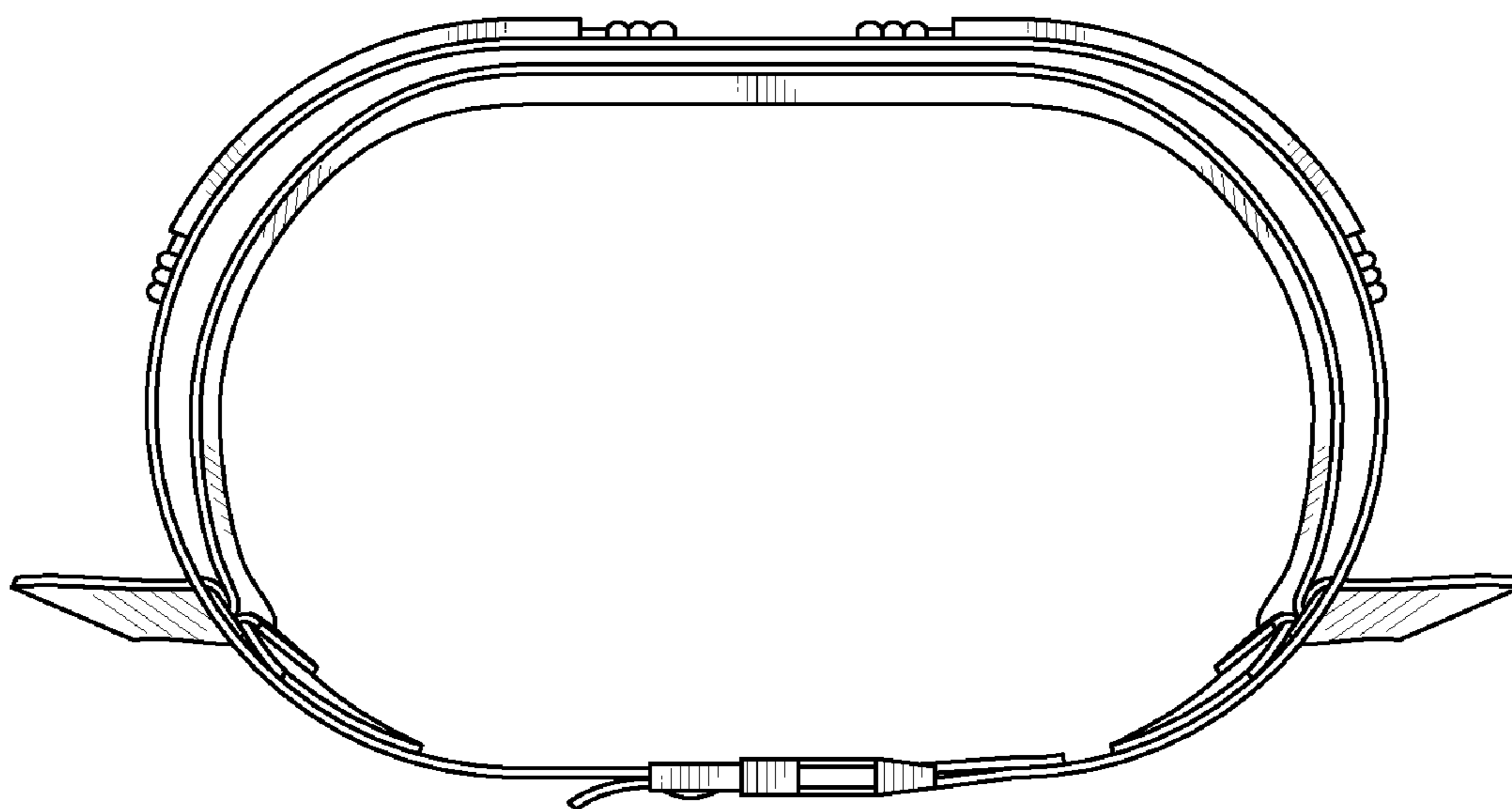


FIG. 5

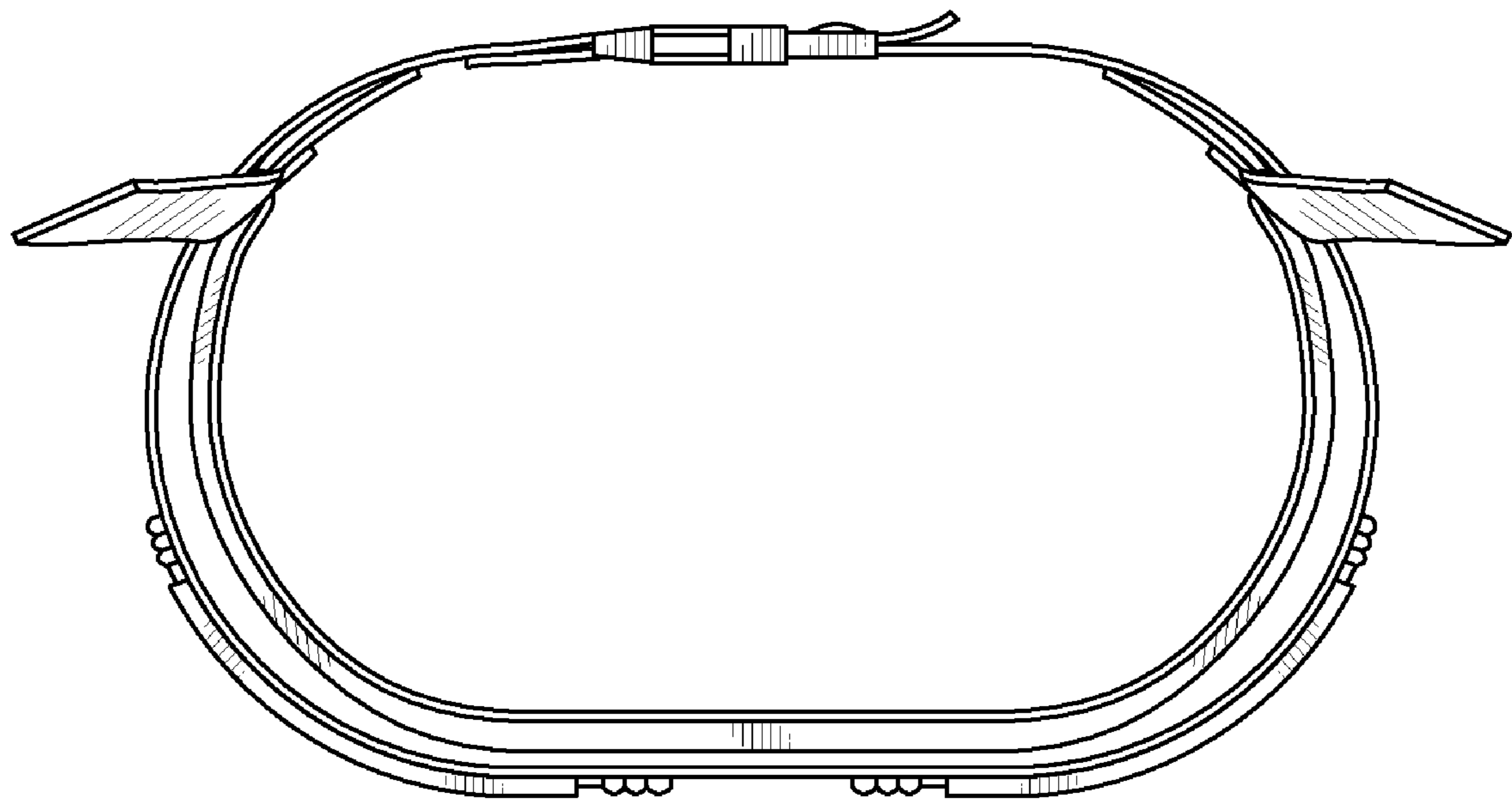


FIG. 6