



US00D643991S

(12) **United States Design Patent**
Miller et al.

(10) **Patent No.:** **US D643,991 S**

(45) **Date of Patent:** **** Aug. 23, 2011**

(54) **DEER HAULING DEVICE**

(76) Inventors: **Clinton Miller**, Marlton, NJ (US);
Dylan Miller, Marlton, NJ (US)

(**) Term: **14 Years**

(21) Appl. No.: **29/370,845**

(22) Filed: **Sep. 14, 2010**

(51) **LOC (9) Cl.** **12-05**

(52) **U.S. Cl.** **D34/28; D8/14**

(58) **Field of Classification Search** D34/28,
D34/35; D15/140; D9/434; D8/395, 14;
294/137, 1.1, 15, 19.1, 153, 154, 26
See application file for complete search history.

(56) **References Cited**

U.S. PATENT DOCUMENTS

3,188,130	A *	6/1965	Pietrowicz	294/74
4,243,164	A *	1/1981	Burlison et al.	294/146
D417,393	S *	12/1999	DiMeo et al.	D9/434
D434,199	S *	11/2000	Alviso	D34/28
D441,653	S *	5/2001	LeRoux	D9/434
D448,980	S *	10/2001	Fredrickson	D8/14
D492,332	S *	6/2004	Boyd	D15/140
D601,420	S *	10/2009	Miceli, Jr.	D9/434
D608,637	S *	1/2010	Getsy	D9/434
2002/0074813	A1 *	6/2002	Mullis	294/15

* cited by examiner

Primary Examiner — Cynthia Ramirez

(74) *Attorney, Agent, or Firm* — Stuart M. Goldstein

(57) **CLAIM**

The ornamental design for the deer hauling device, as shown and described.

DESCRIPTION

FIG. 1 is view of the deer hauling device of the present invention depicting its use.

FIG. 2 is an isometric view of the deer hauling device of the present invention.

FIG. 3 is a front view of the deer hauling device of the present invention.

FIG. 4 is a rear view of the deer hauling device of the present invention.

FIG. 5 is a top view of the deer hauling device of the present invention.

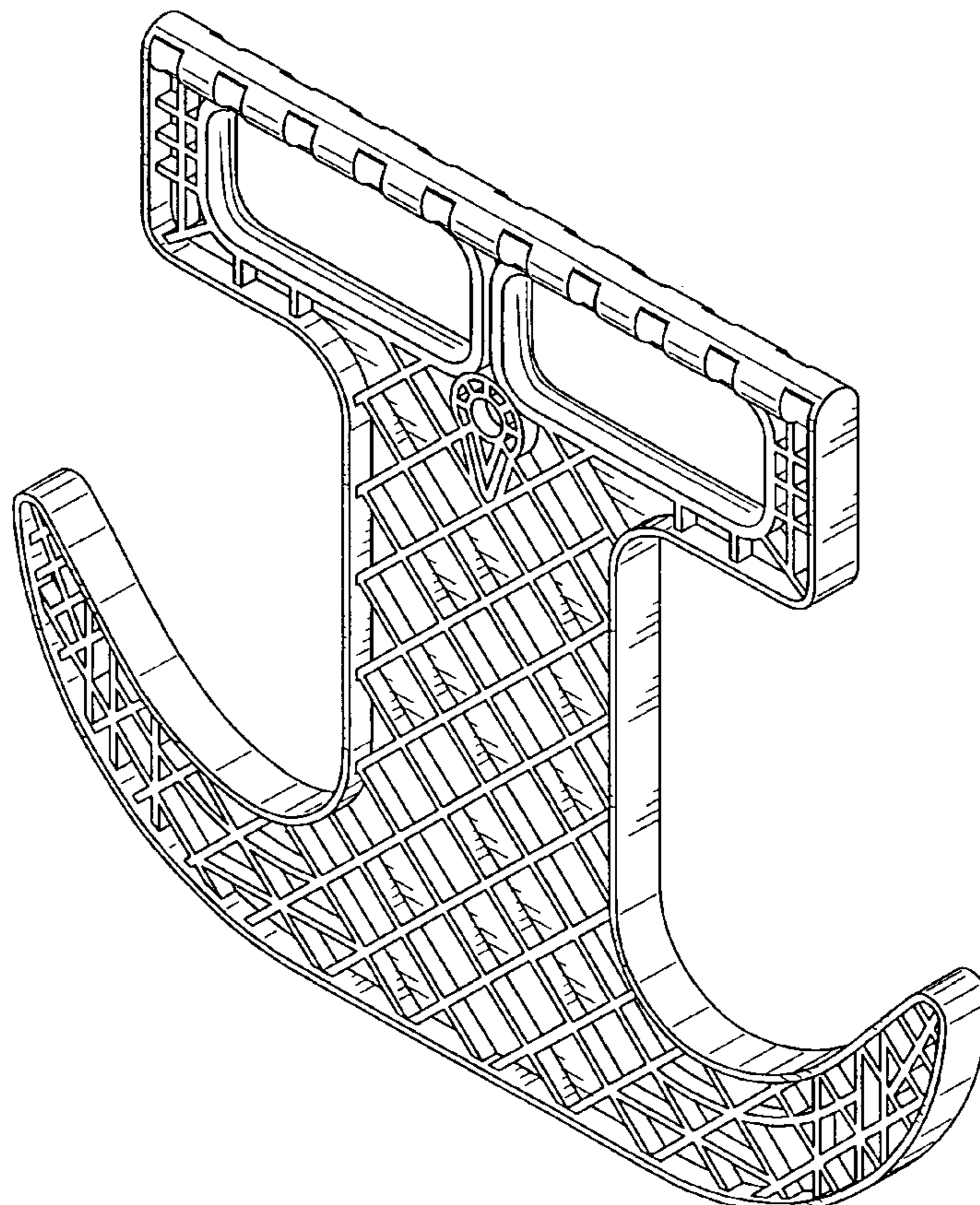
FIG. 6 is a bottom view of the deer hauling device of the present invention.

FIG. 7 is an elevation view of the deer hauling device of the present invention; and,

FIG. 8 is an elevation view showing the opposite side of the deer hauling device of the present invention.

The broken lines depicting hunters and a slain deer is included for the purpose of illustrating environment of the design and forms no part of the claimed design.

1 Claim, 4 Drawing Sheets



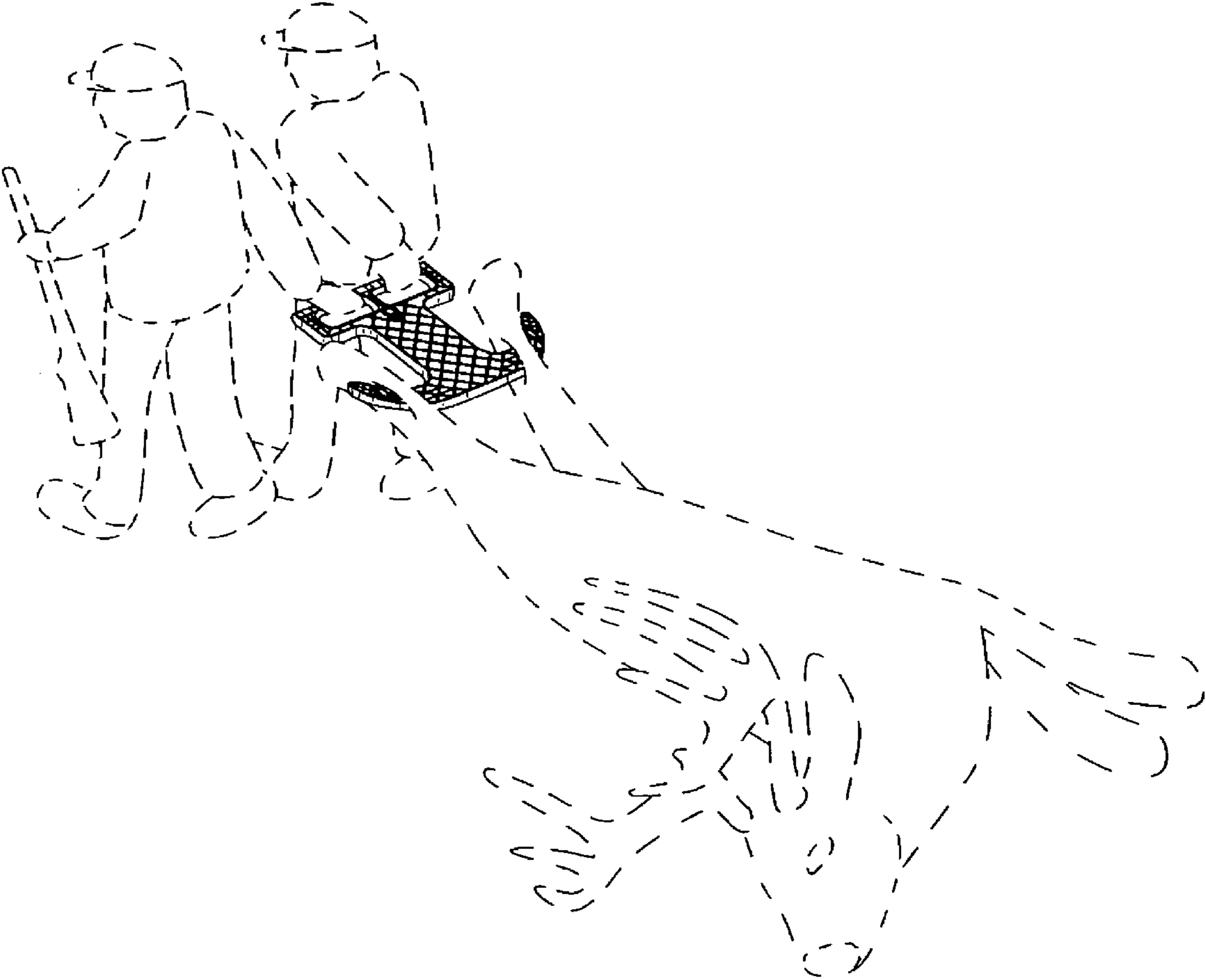


FIG. 1

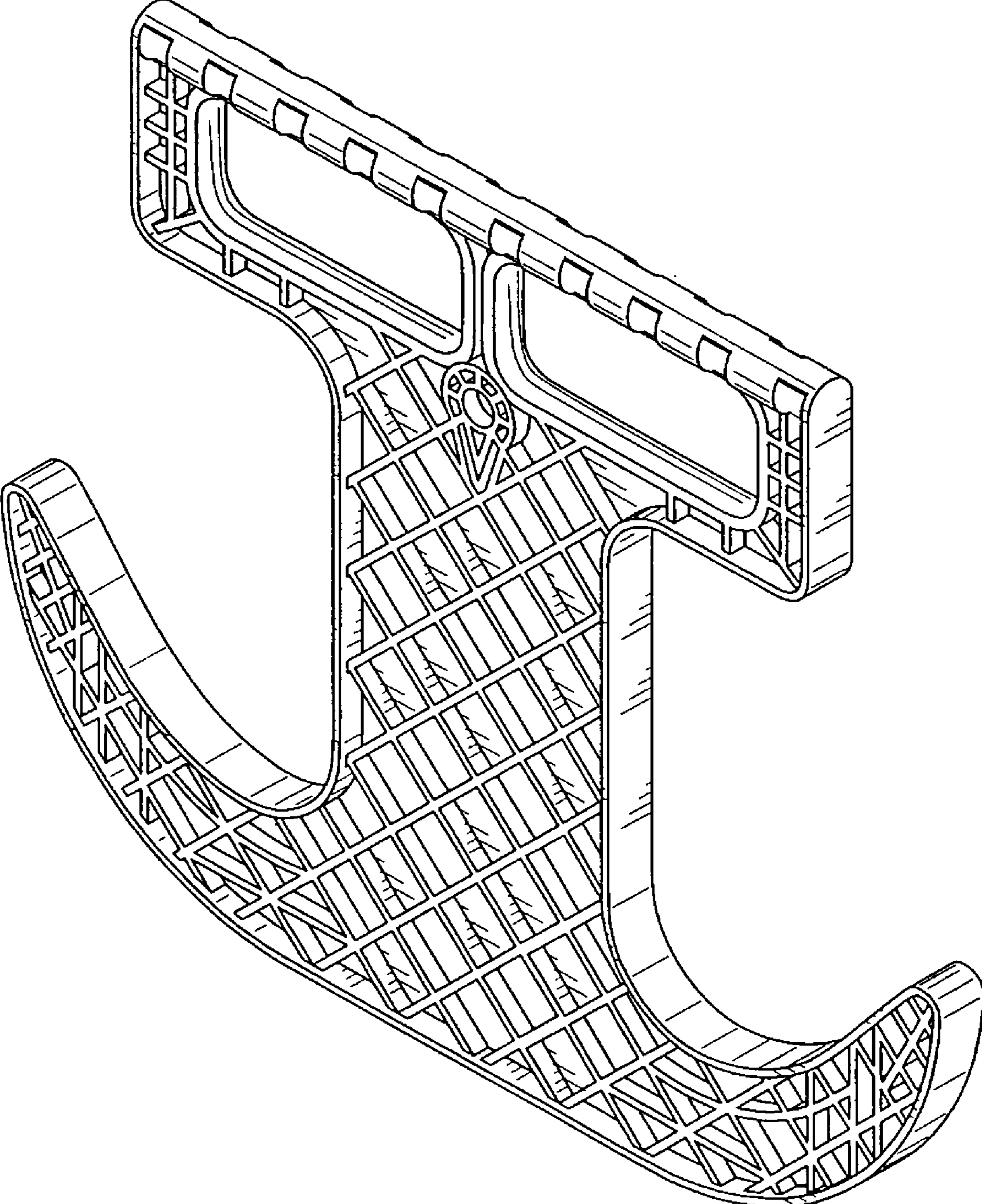


FIG. 2

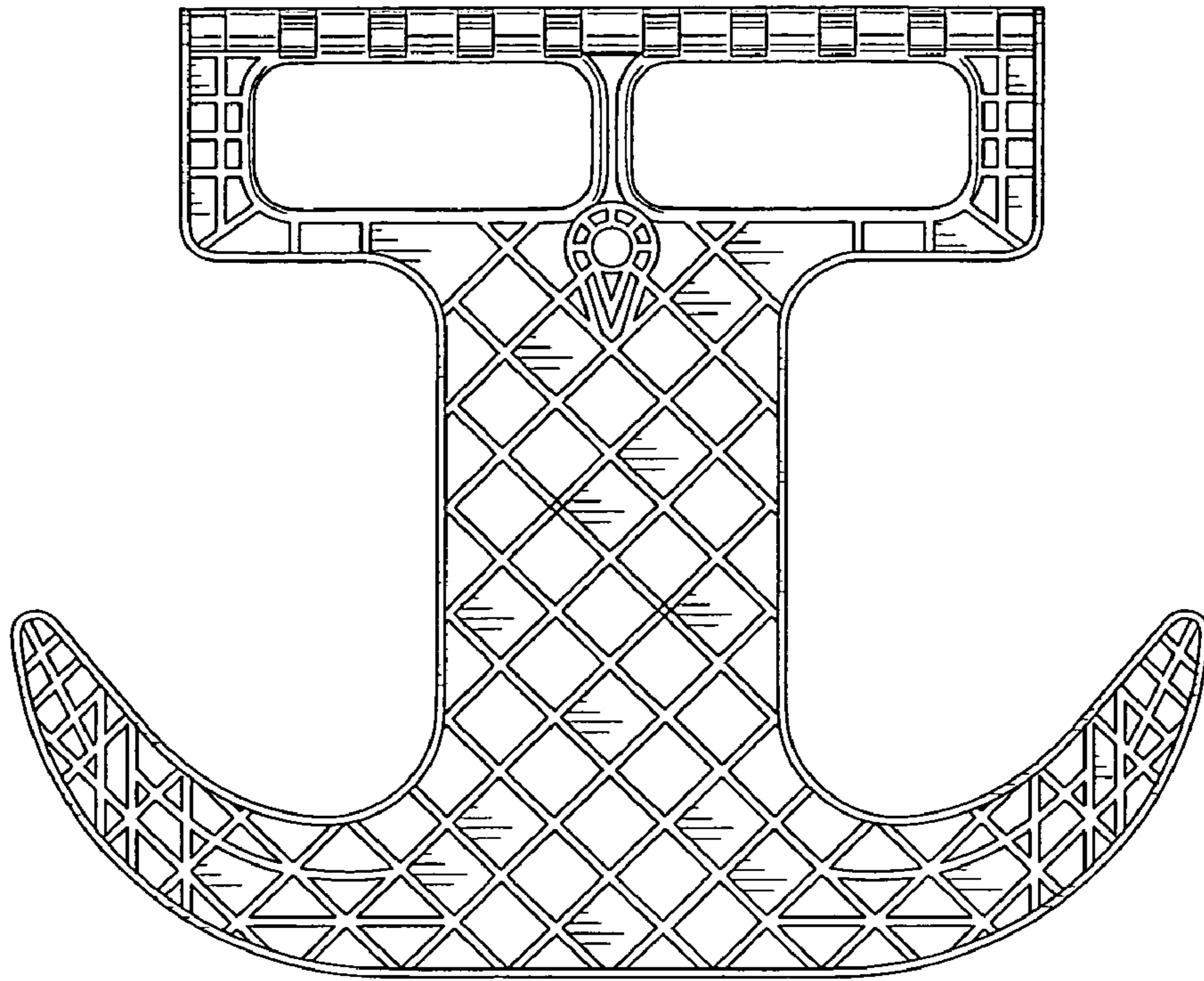


FIG. 3

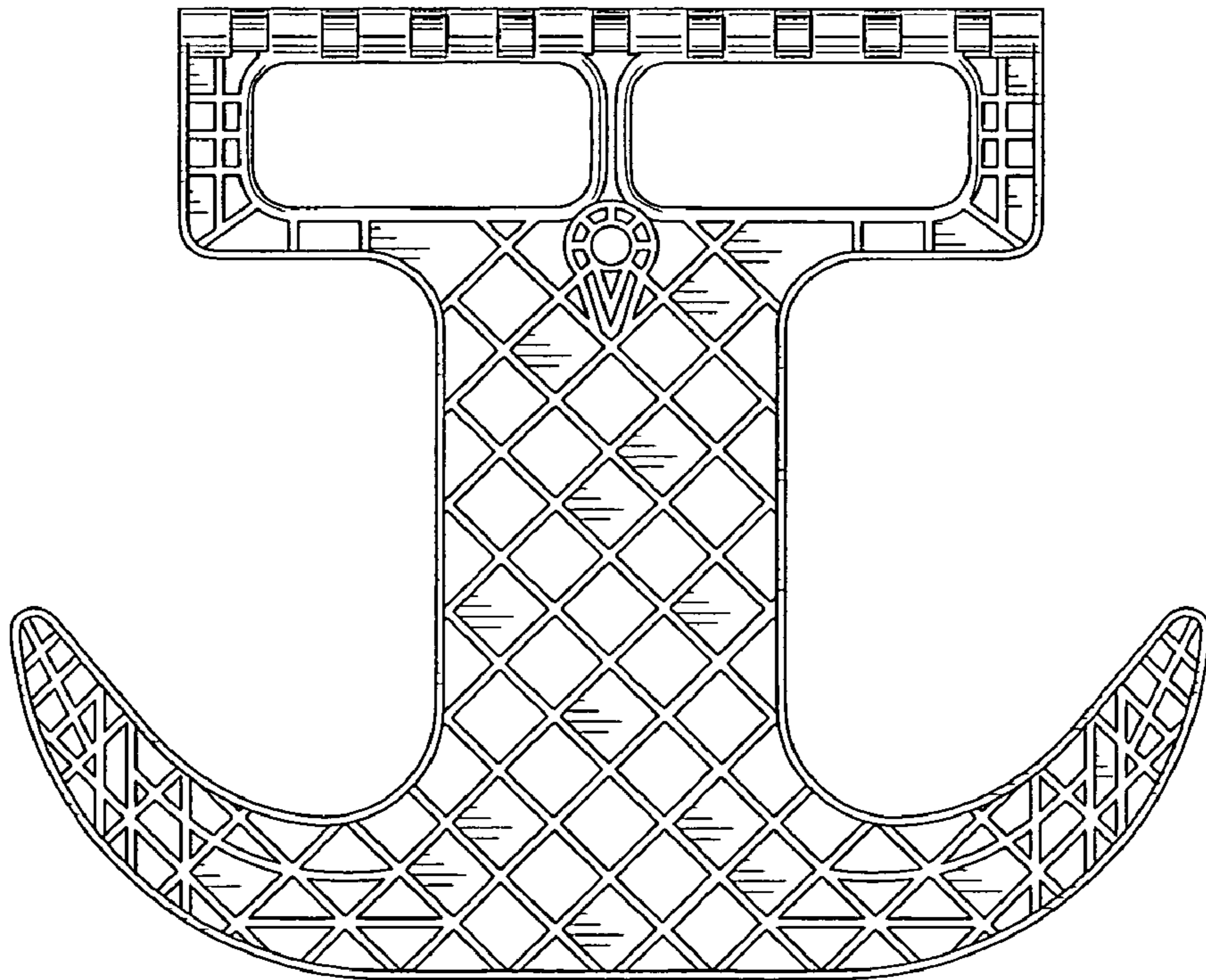


FIG. 4



FIG. 5

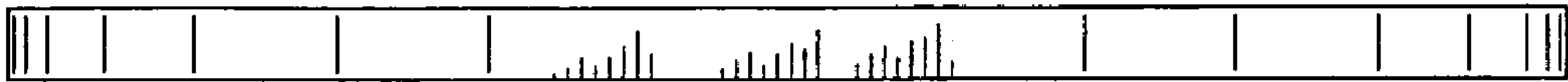


FIG. 6



FIG. 7

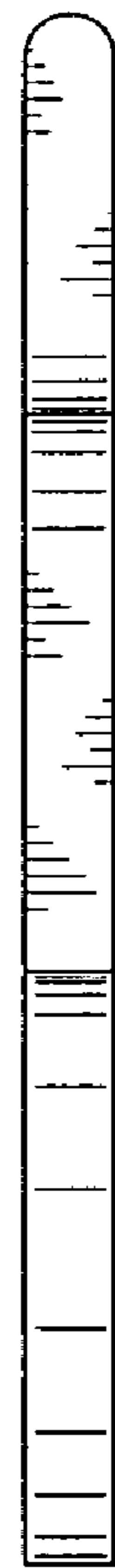


FIG. 8