



US00D643990S

(12) **United States Design Patent**  
**Rouillard et al.**

(10) **Patent No.:** **US D643,990 S**  
(45) **Date of Patent:** **\*\* Aug. 23, 2011**

(54) **CLEANING SYSTEM TROLLEY**  
(75) Inventors: **Carol A. Rouillard**, Loveland, OH (US);  
**Andrew M. Bober**, Racine, WI (US);  
**Alfred Adolf Widmer**, Wil (CH);  
**Andrew R. J. Russell**, Cambridge (GB);  
**Dave Clark**, Garden City (GB);  
**Roderick J. McBrien**, Leamington Spa (GB)

5,069,466 A 12/1991 Propst  
5,069,511 A 12/1991 Swets et al.  
5,090,785 A 2/1992 Stamp  
D341,914 S 11/1993 Reiner  
5,257,860 A 11/1993 Slivon  
5,282,678 A 2/1994 Teufel et al.

(Continued)

**FOREIGN PATENT DOCUMENTS**

DE 4322626 1/1995

(Continued)

(73) Assignee: **Diversey, Inc.**, Sturtevant, WI (US)

(\*\*) Term: **14 Years**

(21) Appl. No.: **29/382,729**

(22) Filed: **Jan. 6, 2011**

**Related U.S. Application Data**

(62) Division of application No. 29/350,837, filed on Nov. 24, 2009, now Pat. No. Des. 632,043.

(51) **LOC (9) Cl.** ..... **12-02**

(52) **U.S. Cl.** ..... **D34/27**

(58) **Field of Classification Search** ..... D34/1-27;  
280/47.34, 47.35, 79.2, 79.3, 47.26, 79.5

See application file for complete search history.

(56) **References Cited**

**U.S. PATENT DOCUMENTS**

1,391,408 A 9/1921 Robbins  
2,830,825 A 4/1958 Webber et al.  
3,495,553 A 2/1970 McClure  
3,771,191 A 11/1973 Cain  
4,068,891 A 1/1978 Herbst  
4,099,735 A 7/1978 Becker, III  
4,165,088 A 8/1979 Nelson  
D273,242 S 3/1984 Maza et al.  
4,479,282 A 10/1984 Hallstrom  
4,632,461 A 12/1986 Randolph  
4,707,877 A 11/1987 Griffin  
4,743,040 A 5/1988 Breveglieri et al.  
4,754,518 A 7/1988 Griffin  
4,919,282 A 4/1990 Duff et al.

**OTHER PUBLICATIONS**

International Search Report prepared by the Korean Intellectual Property Office from PCT/US2009/053765.\*

(Continued)

*Primary Examiner* — Cynthia Ramirez

(74) *Attorney, Agent, or Firm* — Gregory S. Bollis

(57) **CLAIM**

The ornamental design for a cleaning system trolley, as shown and described.

**DESCRIPTION**

FIG. 1 is a perspective view of a cleaning system trolley according to the present invention;

FIG. 2 is a left side view of the cleaning system trolley shown in FIG. 1.

FIG. 3 is a right side view of the cleaning system trolley shown in FIGS. 1 and 2.

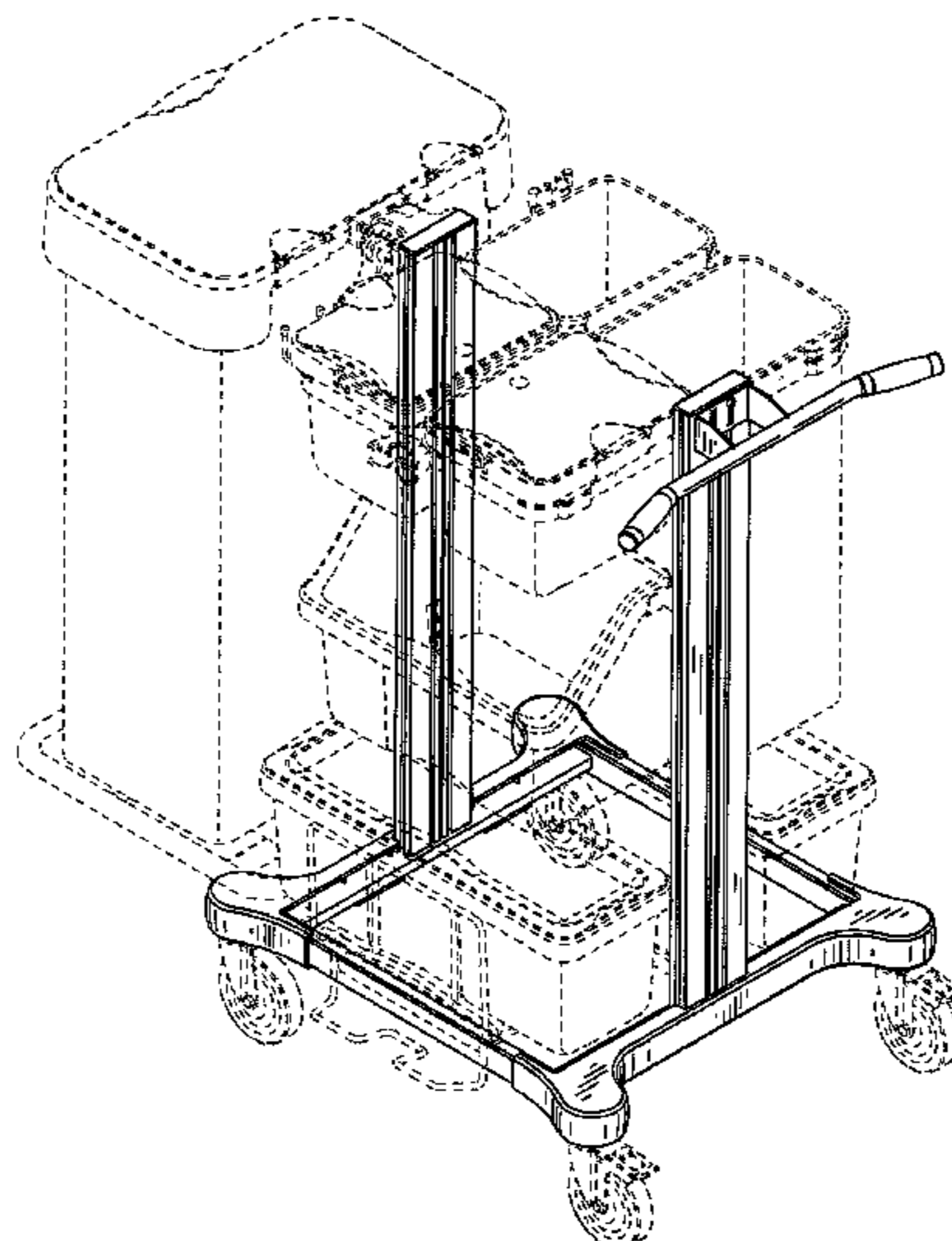
FIG. 4 is a front view of the cleaning system trolley shown in FIGS. 1-3.

FIG. 5 is a rear view of the cleaning system trolley shown in FIGS. 1-4.

FIG. 6 is a top view of the cleaning system trolley shown in FIGS. 1-5; and,

FIG. 7 is a bottom view of the cleaning system trolley shown in FIGS. 1-6.

**1 Claim, 6 Drawing Sheets**



U.S. PATENT DOCUMENTS

5,302,013	A	4/1994	Reiner	
5,314,244	A	5/1994	Swets et al.	
5,318,315	A	6/1994	White et al.	
5,348,222	A	9/1994	Patey	
5,465,660	A	11/1995	Conti et al.	
5,536,084	A	7/1996	Curtis et al.	
5,566,961	A	10/1996	Snell et al.	
5,590,939	A	1/1997	Piontek	
5,642,898	A	7/1997	Wise	
5,673,983	A	10/1997	Carlson et al.	
5,713,583	A	2/1998	Hansen	
5,716,116	A	2/1998	Carlson et al.	
5,887,878	A	3/1999	Tisbo et al.	
5,913,528	A	6/1999	Kresse et al.	
6,048,044	A	4/2000	Biggel et al.	
D426,691	S	6/2000	Johnson et al.	
6,116,067	A	9/2000	Myers et al.	
6,131,929	A	10/2000	Haley	
6,176,559	B1	1/2001	Tiramani et al.	
6,259,067	B1	7/2001	Faries, Jr. et al.	
6,264,220	B1	7/2001	Pierce et al.	
D447,847	S	9/2001	Shyshka et al.	
6,374,649	B1	4/2002	Holcomb et al.	
D468,880	S	1/2003	Porter	
6,572,123	B2	6/2003	Calmeise et al.	
6,578,938	B2	6/2003	Norman et al.	
D485,037	S	1/2004	Presnell et al.	
6,739,605	B2	5/2004	Calmeise et al.	
6,746,091	B2	6/2004	Friar et al.	
6,805,246	B1	10/2004	Manabat	
6,811,232	B2	11/2004	Doan et al.	
6,827,357	B2	12/2004	Calmeise et al.	
6,851,771	B2	2/2005	Marler et al.	
6,910,710	B2	6/2005	Nguyen	
6,932,444	B2	8/2005	Price	
7,014,200	B2	3/2006	Calmeise et al.	
7,044,569	B1	5/2006	Relyea et al.	
7,104,556	B1	9/2006	Young	
7,130,190	B1	10/2006	Baker	
7,152,441	B2	12/2006	Friar et al.	
7,160,113	B2	1/2007	McConnell et al.	
7,188,846	B2	3/2007	Deavila	
D555,870	S	11/2007	Zorzo	
D556,417	S	11/2007	Zorzo	
D556,418	S	11/2007	Zorzo et al.	
D575,922	S	8/2008	Presnell	
D589,671	S	3/2009	Rolim De Oliveira	
D632,043	S *	2/2011	Rouillard et al. ....	D34/21
2002/0030337	A1	3/2002	Calmeise et al.	
2002/0070517	A1	6/2002	Ramsey	
2002/0070640	A1	6/2002	Hamilton et al.	
2002/0109318	A1	8/2002	Calmeise et al.	
2005/0001395	A1	1/2005	Fuentes	
2005/0077805	A1	4/2005	Dalebout et al.	
2006/0006621	A1	1/2006	Santa Cruz et al.	
2006/0163827	A1	7/2006	Lauer et al.	
2006/0220503	A1	10/2006	Widrig	
2006/0228201	A1	10/2006	Lenceski	
2007/0018433	A1	1/2007	Sinnamon et al.	

2007/0140774	A1	6/2007	Dyer et al.
2007/0176523	A1	8/2007	Lin
2007/0210546	A1	9/2007	Presnell et al.
2007/0222166	A1	9/2007	Ruiz
2007/0267832	A1	11/2007	Denissov

FOREIGN PATENT DOCUMENTS

EP	1279582	*	1/2003
FR	2649659		1/1991

OTHER PUBLICATIONS

Vileda Origo Website, Vileda Professional, <http://www.origo.vileda.com/>.\*

Ecolab Professional Products Website, <http://rasantec.de/de/html/pal/index.html>.\*

Rubbermaid, 9T73 Rubbermaid Hygen Microfiber Cleaning Cart, Rubbermaid Commercial Products, available online at: <<http://www.rcpworksmarter.com/rcp/products/detail.jsp?rcpNum=9T73>>, available at least as early as Feb. 19, 2008.\*

Rubbermaid, 9T75 High Security Cleaning Cart, Rubbermaid Commercial Products, available online at: <<http://www.rcpworksmarter.com/rcp/products/detail.jsp?rcpNum=9T75>>, available at least as early as Feb. 19, 2008.\*

AnytimeProducts.com, Wire Shelving Unit with Casters and 4", 6", and 8" Wide Bins, available at least as early as Jun. 25, 2008.\*

AnytimeProducts.com, Tilt and Lock Plastic Bins, available at least as early as Jun. 25, 2008.\*

AnytimeProducts.com, Welded Mobile Bench Cabinets, available at least as early as Jun. 25, 2008.

AnytimeProducts.com, A-Frame Mobile Storage Trucks, available at least as early as Jun. 25, 2008.

Rubbermaid, 600 lb Garden Dump Cart, available at least as early as Jun. 25, 2008.

Rubbermaid, 6180-88 Trades Cart with Locking Cabinet Includes 2 Parts Boxes and 4 Parts Bins, Rubbermaid Commercial Products, Material Handling > Utility & Service Carts, available at least as early as Jun. 25, 2008.

Rubbermaid, 9T74 Microfiber Cleaning Cart with Color-Coded Pails, Rubbermaid Commercial Products, Cleaning > Cleaning Carts, available at least as early as Jun. 25, 2008.

Shelf Space eShop, CS/P/055, Metabin Single Wire Hooks, available at least as early as Jun. 25, 2008.

Shelf Space eShop, CS/P/019, Metabin Double Sided Trolley 1000x1000mm+Bins, available at least as early as Jun. 25, 2008.

Global Industrial, Aluminum 3 Tote Box Cart, Bins, Totes & Containers, Bin & Tote Carts, available at least as early as Jun. 25, 2008.

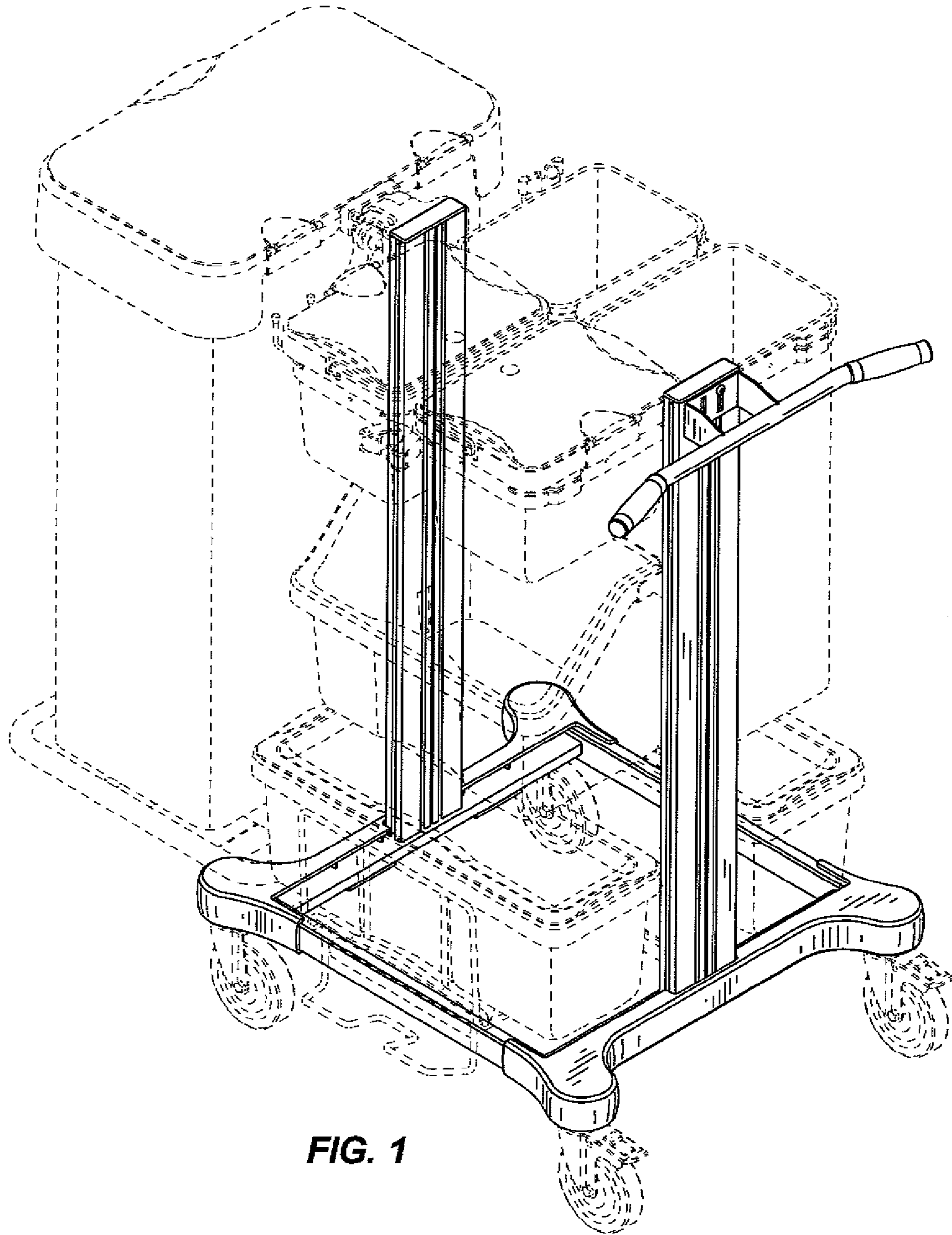
Vermop—Professional Cleaning Systems, Shopster, Vermop Salmon GmbH—Professionelle Reinigungssysteme, available at least as early as May 28, 2010.

International Search Report prepared by the Korean Intellectual Property Office for PCT/US2009/053765, date of mailing Mar. 16, 2010.

Catalog of Available Trolleys in the Market—Information Obtained on the Internet Before Feb. 9, 2011.

\* cited by examiner





**FIG. 1**

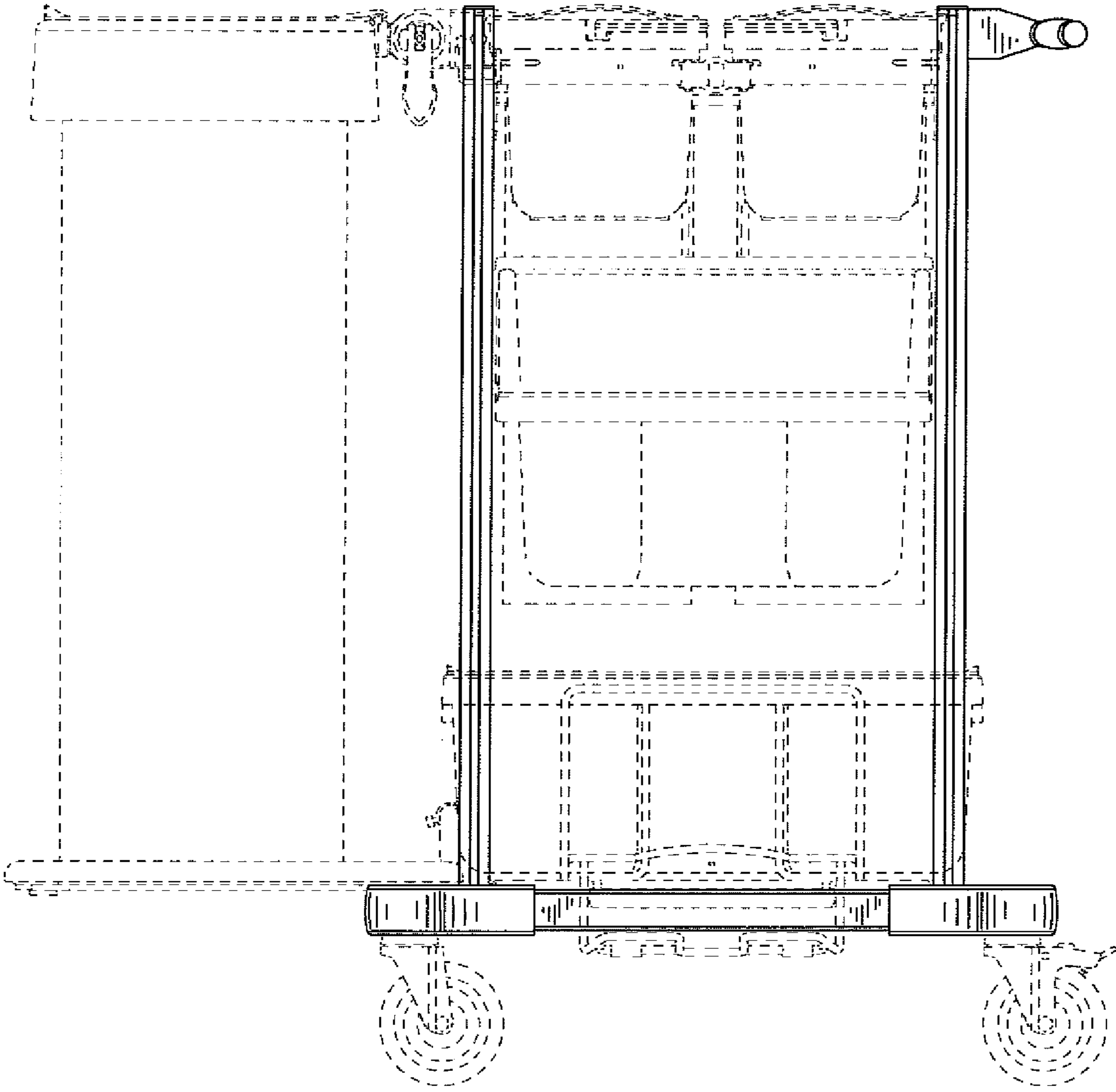
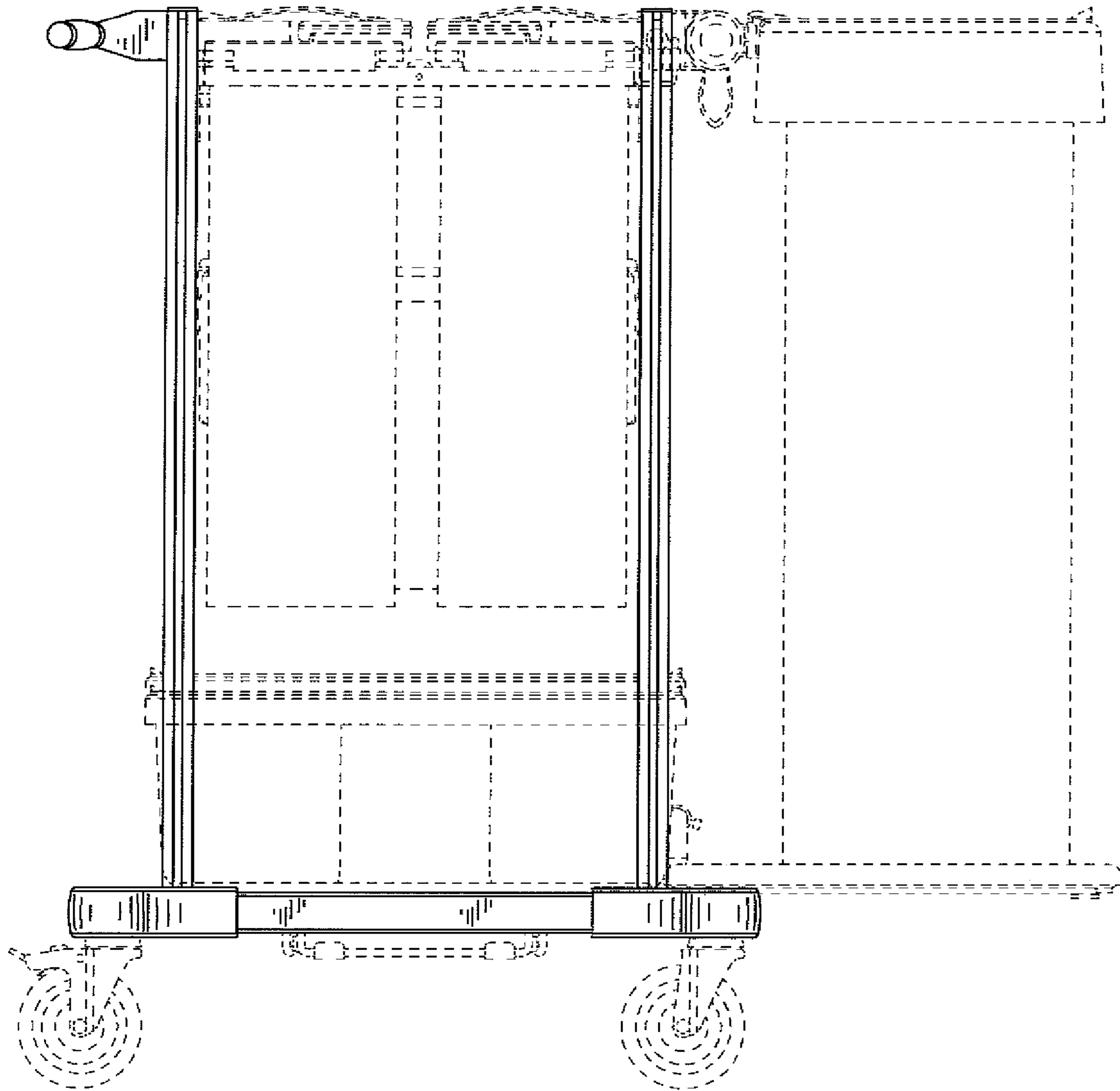
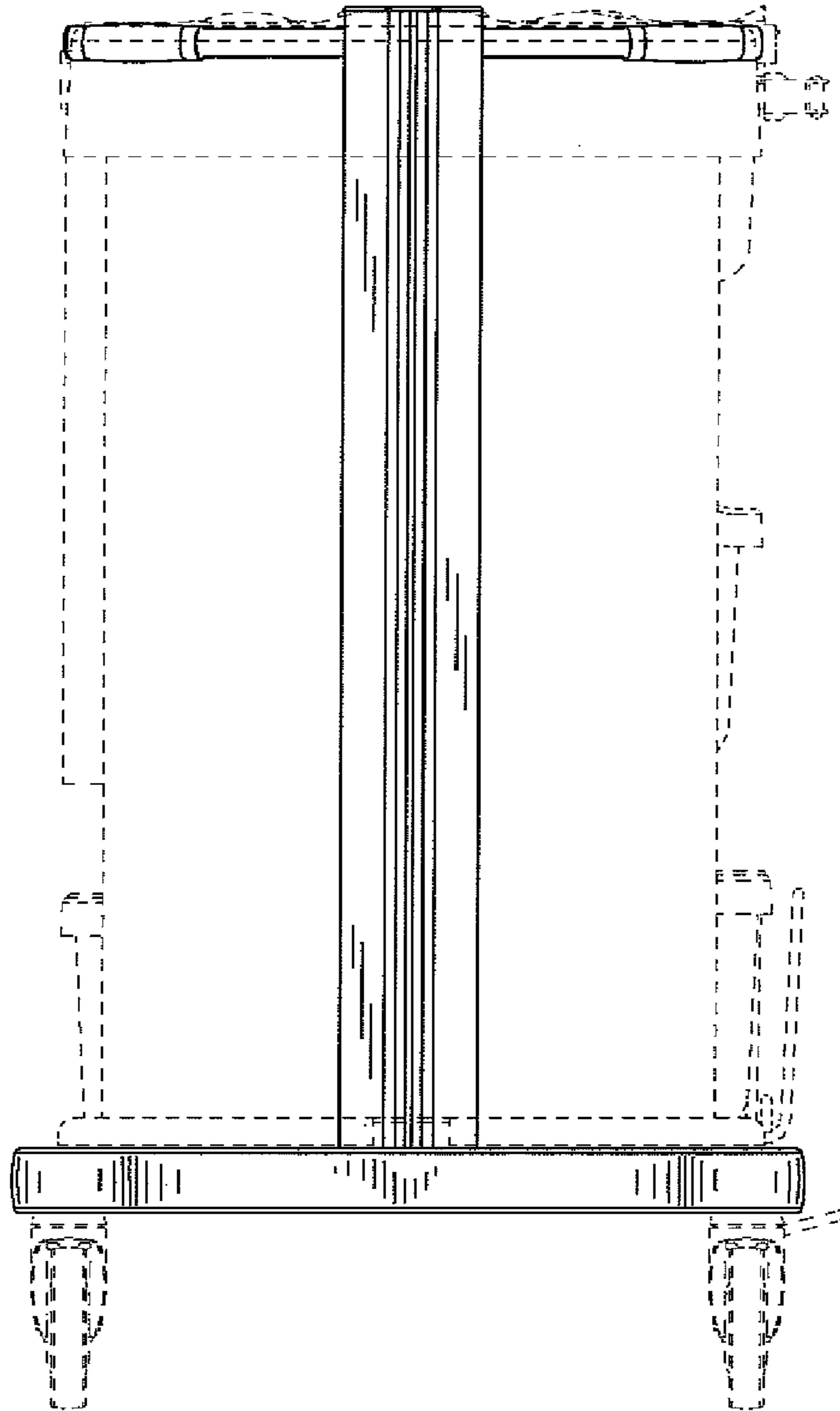


FIG. 2



**FIG. 3**



**FIG. 4**

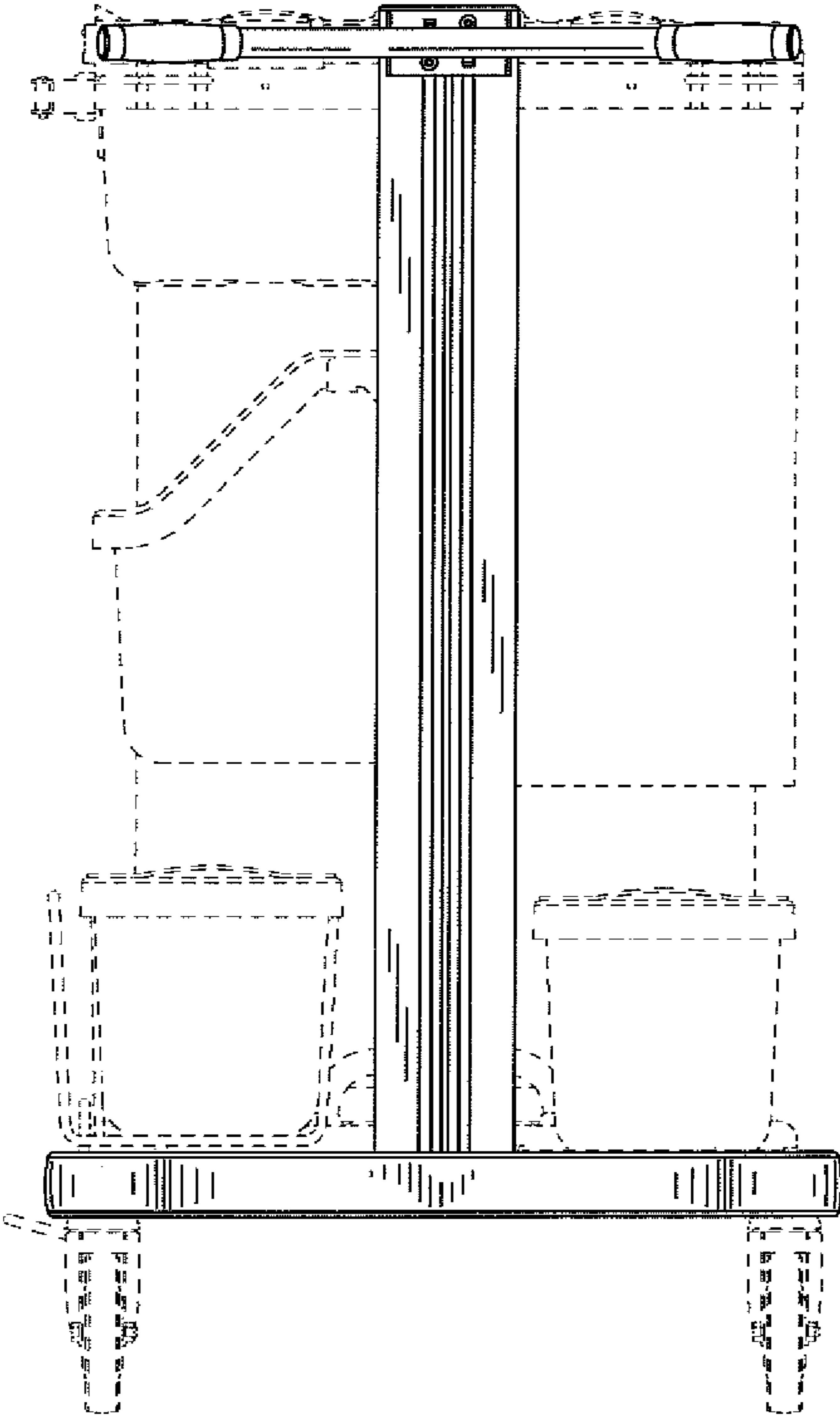


FIG. 5

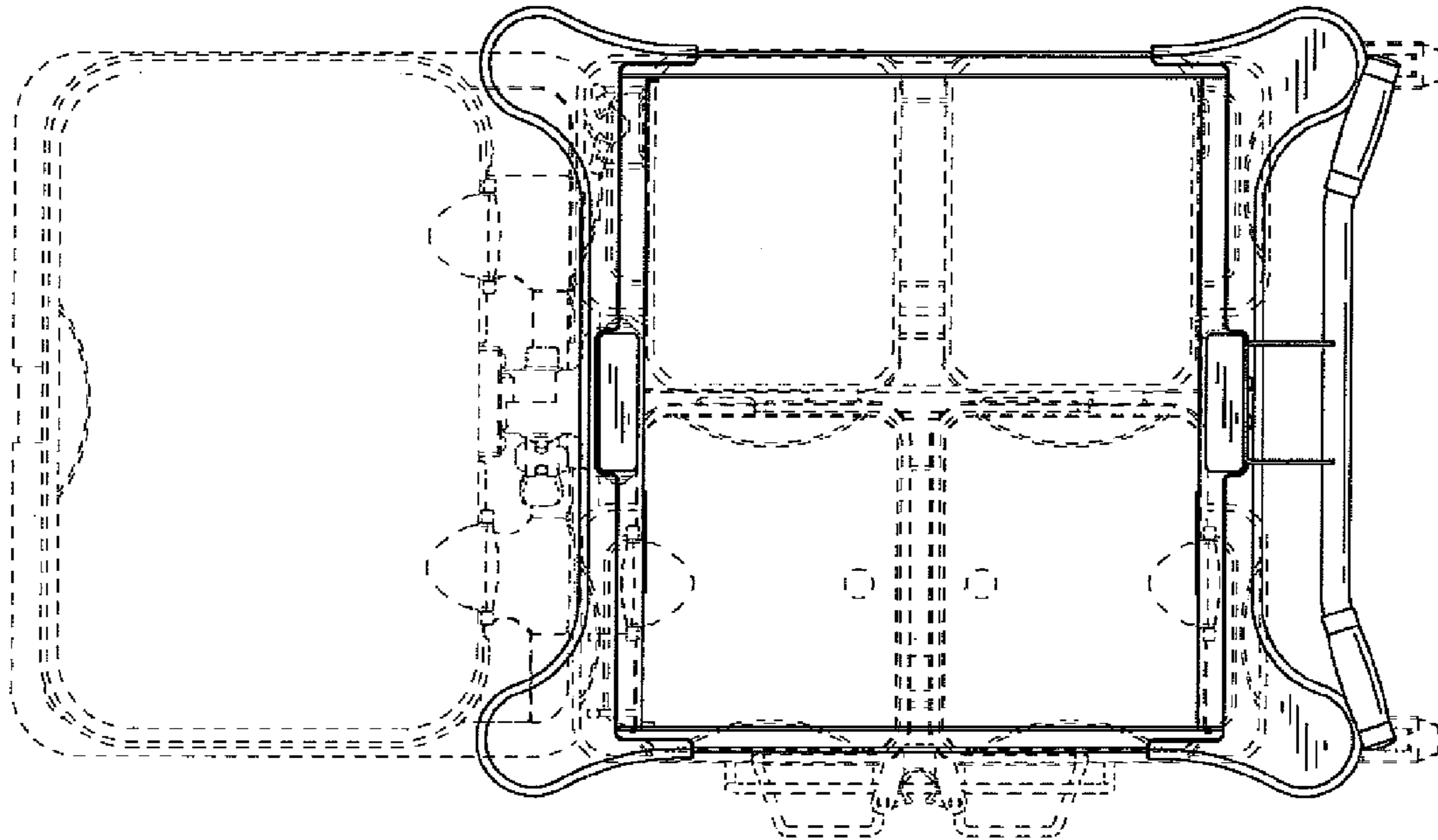


FIG. 6

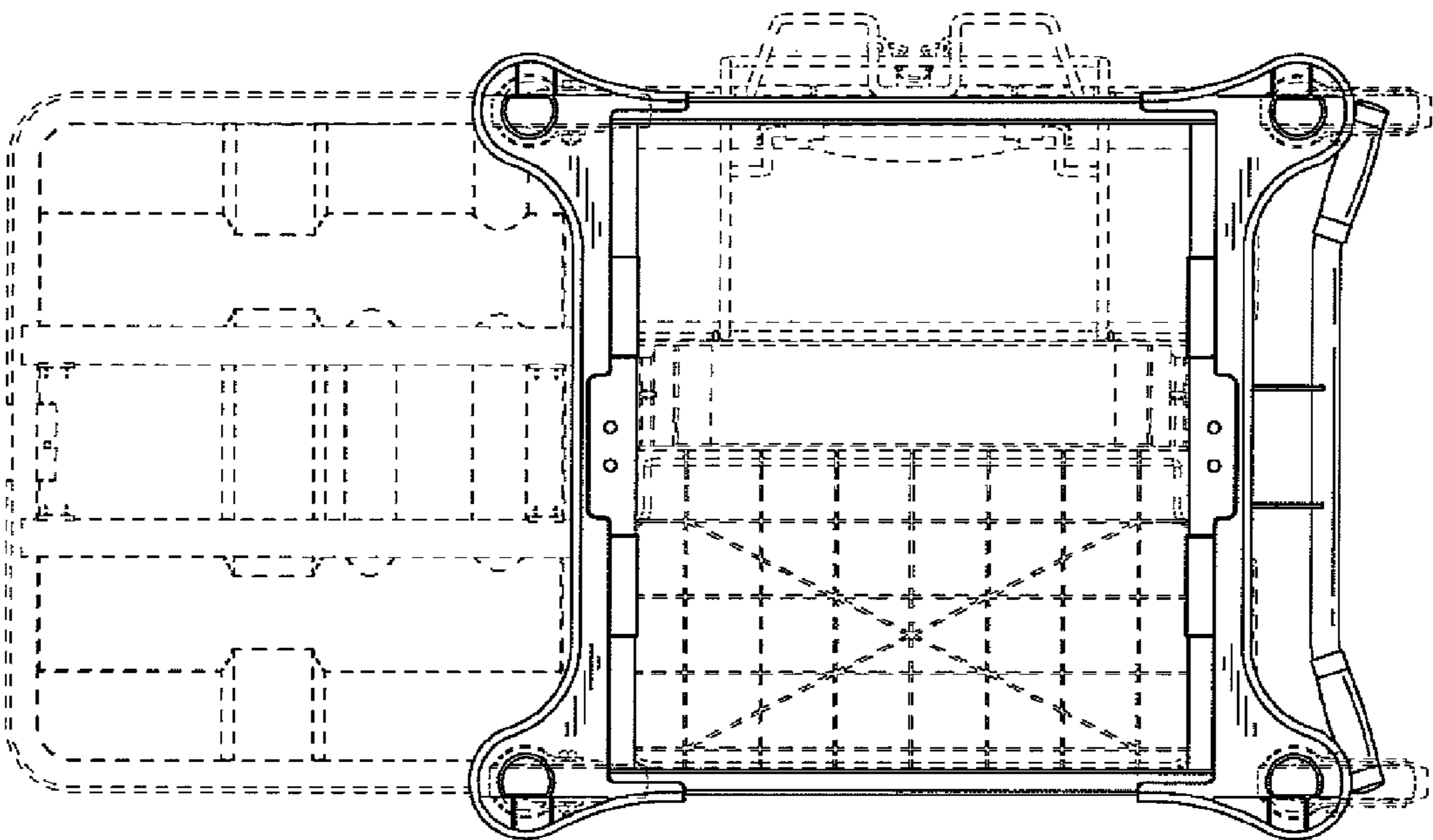


FIG. 7