



US00D643988S

(12) **United States Design Patent**  
**Arthurson**

(10) **Patent No.:** **US D643,988 S**

(45) **Date of Patent:** **\*\* Aug. 23, 2011**

(54) **WASTE BIN WITH PIVOT LID OPENER**

(76) Inventor: **Kingsley Arthurson, Perth (AU)**

(\*\*) Term: **14 Years**

(21) Appl. No.: **29/380,583**

(22) Filed: **Dec. 8, 2010**

(30) **Foreign Application Priority Data**

Jun. 10, 2010 (AU) ..... 331999

(51) **LOC (9) Cl.** ..... **09-09**

(52) **U.S. Cl.** ..... **D34/9**

(58) **Field of Classification Search** ..... D34/1-11;  
220/908-911, 625, DIG. 12, DIG. 14, 262-264;  
280/47.26

See application file for complete search history.

(56) **References Cited**

**U.S. PATENT DOCUMENTS**

3,825,150	A *	7/1974	Taylor	.....	220/495.08
4,753,367	A *	6/1988	Miller et al.	.....	220/495.11
5,160,063	A *	11/1992	Bailey	.....	220/495.08
5,184,836	A *	2/1993	Andrews et al.	.....	280/79.5
D347,095	S *	5/1994	Apps et al.	.....	D34/5
5,377,858	A *	1/1995	Morris, Sr.	.....	220/254.8
D355,741	S *	2/1995	Craft et al.	.....	D34/5
5,445,397	A *	8/1995	Evans	.....	280/47.18
5,555,996	A *	9/1996	Lang-Ree et al.	.....	220/495.01
D388,577	S *	12/1997	Rehrig et al.	.....	D34/5
D398,120	S *	9/1998	Rehrig et al.	.....	D34/5
5,881,901	A *	3/1999	Hampton	.....	220/495.08
5,899,468	A *	5/1999	Apps et al.	.....	280/47.26
D445,228	S *	7/2001	Apps et al.	.....	D34/5
D491,328	S *	6/2004	Aiken et al.	.....	D34/5
6,918,508	B2 *	7/2005	Hwang	.....	220/826
D515,313	S *	2/2006	Uffner et al.	.....	D3/294
7,017,773	B2 *	3/2006	Gruber et al.	.....	220/675

7,114,631	B2 *	10/2006	Aiken et al.	.....	220/766
7,121,564	B2 *	10/2006	Hassell	.....	280/47.26
D532,173	S *	11/2006	Aiken et al.	.....	D34/5
D535,448	S *	1/2007	Kilduff et al.	.....	D34/5
7,287,665	B2 *	10/2007	Meissen et al.	.....	220/766
2006/0065657	A1 *	3/2006	Wong	.....	220/324
2006/0076260	A1 *	4/2006	Luburic	.....	206/503

\* cited by examiner

*Primary Examiner* — Cynthia Ramirez

(74) *Attorney, Agent, or Firm* — Shoemaker and Mattare

(57) **CLAIM**

The ornamental design for a waste bin with pivot lid opener, as shown and described.

**DESCRIPTION**

FIG. 1 is a perspective view of a waste bin with pivot lid opener, showing my new design from the top, front and left side;

FIG. 2 is a top plan view thereof;

FIG. 3 is a front elevational view thereof;

FIG. 4 is a view like FIG. 3, showing the lid of the bin partially open;

FIG. 5 is a view like FIG. 3, showing the lid fully open;

FIG. 6 is a left side elevational view thereof;

FIG. 7 is a view like FIG. 6, showing the lid of the bin partially open;

FIG. 8 is a view like FIG. 6, showing the lid fully open;

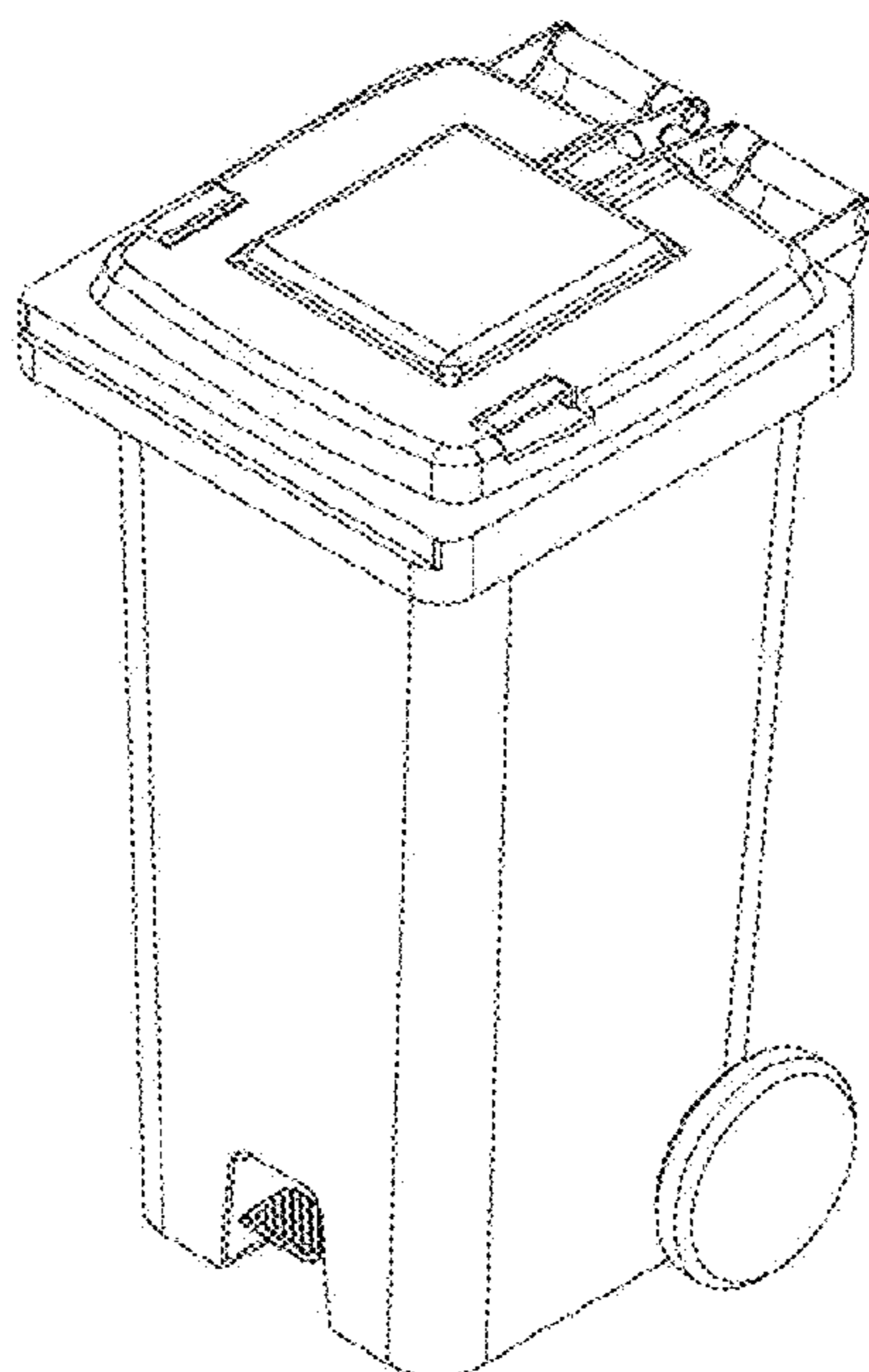
FIG. 9 is a bottom plan view thereof;

FIG. 10 is a perspective view thereof, from the rear, bottom and right side;

FIG. 11 is a perspective view thereof, from the front, bottom and right side; and,

FIG. 12 is a perspective view thereof, from the rear, bottom and right side.

**1 Claim, 12 Drawing Sheets**



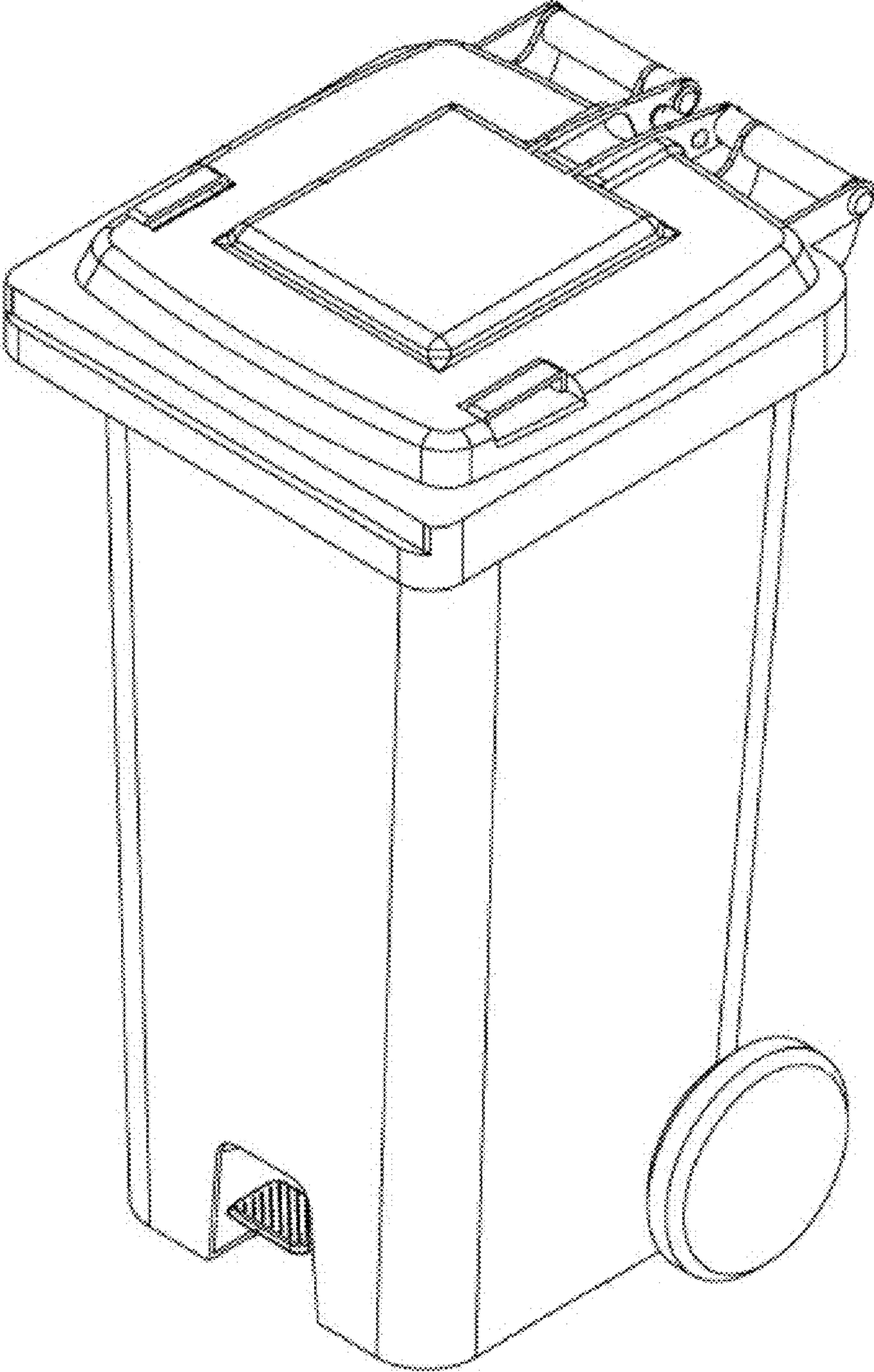


Fig. 1



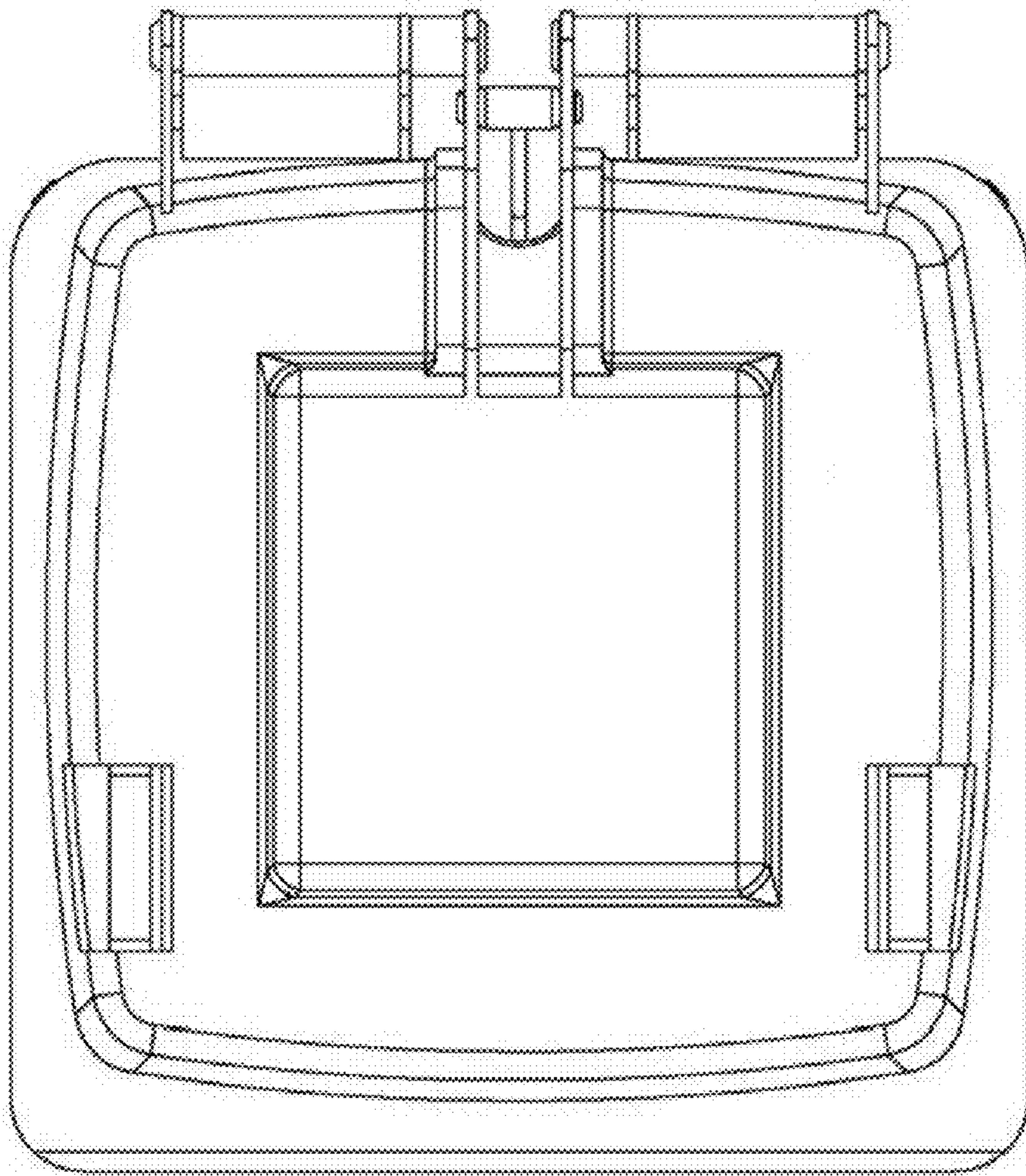


Fig. 2

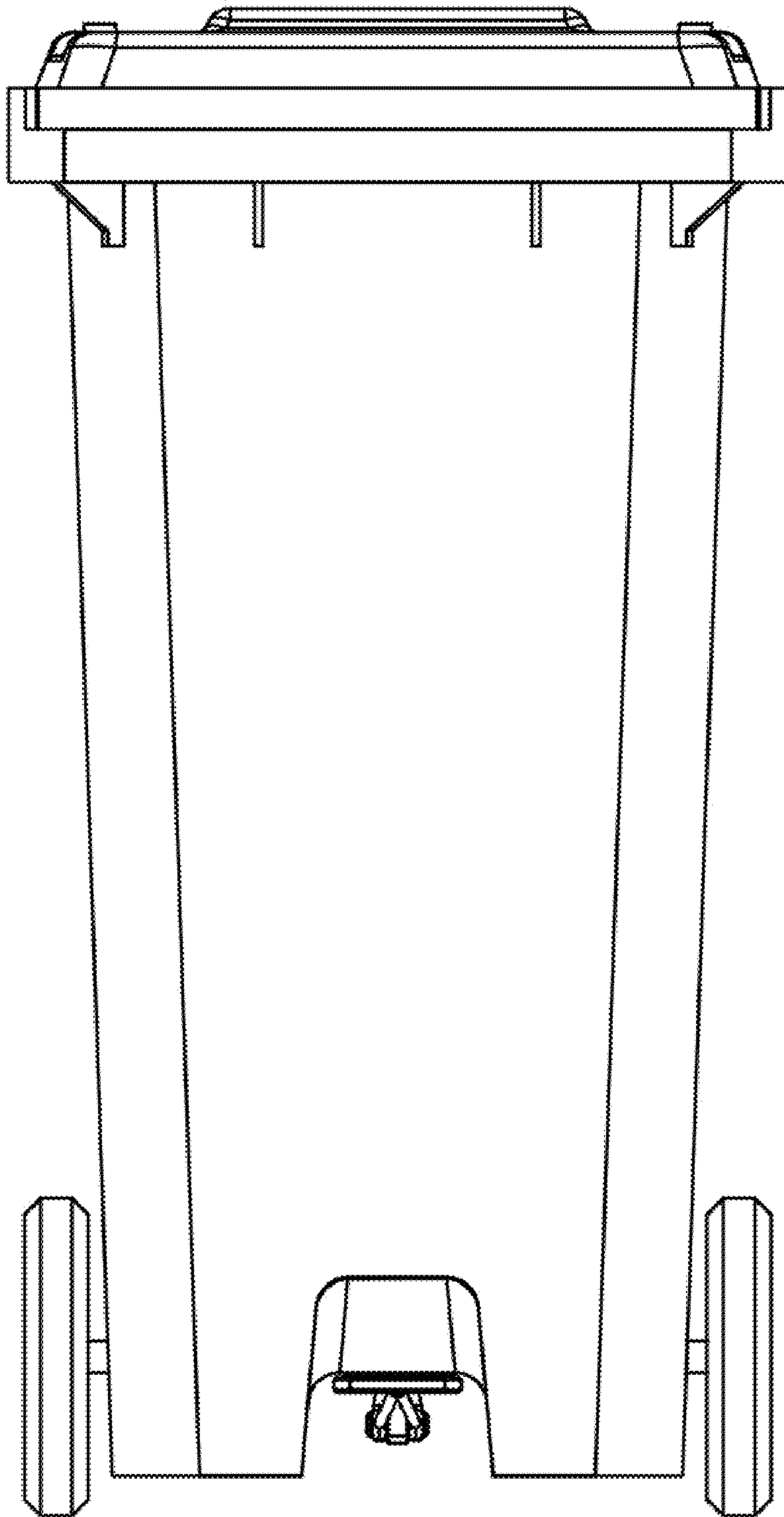


Fig. 3

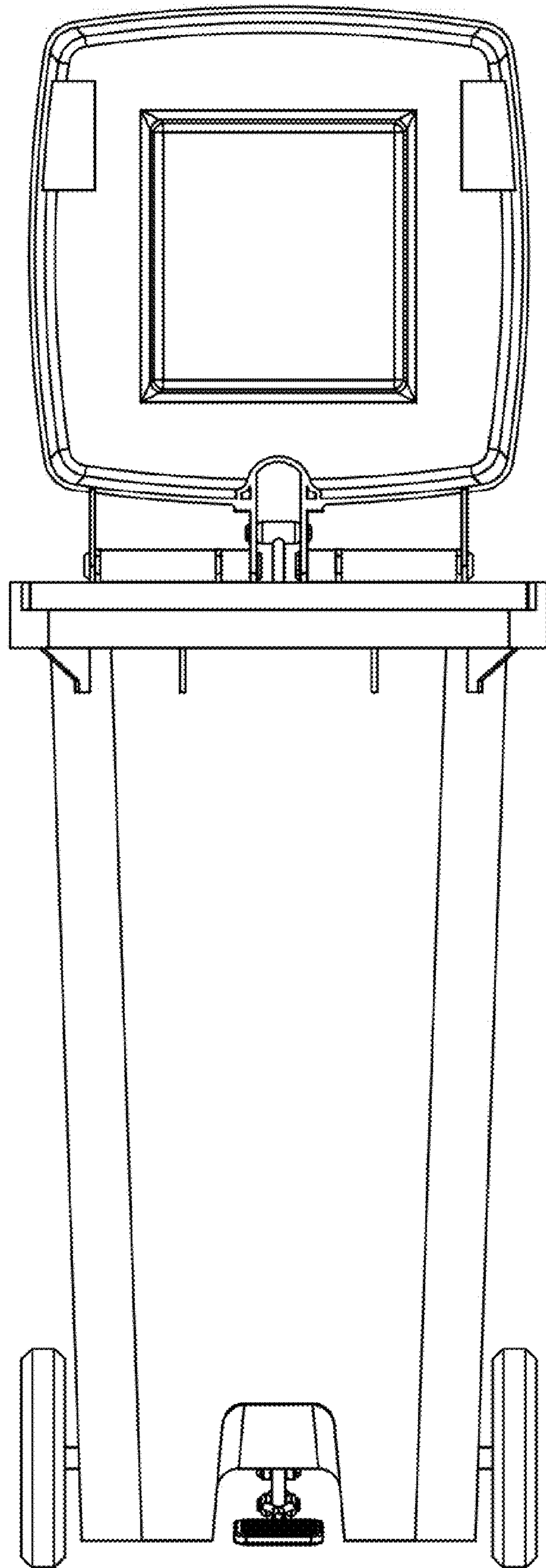


Fig. 4

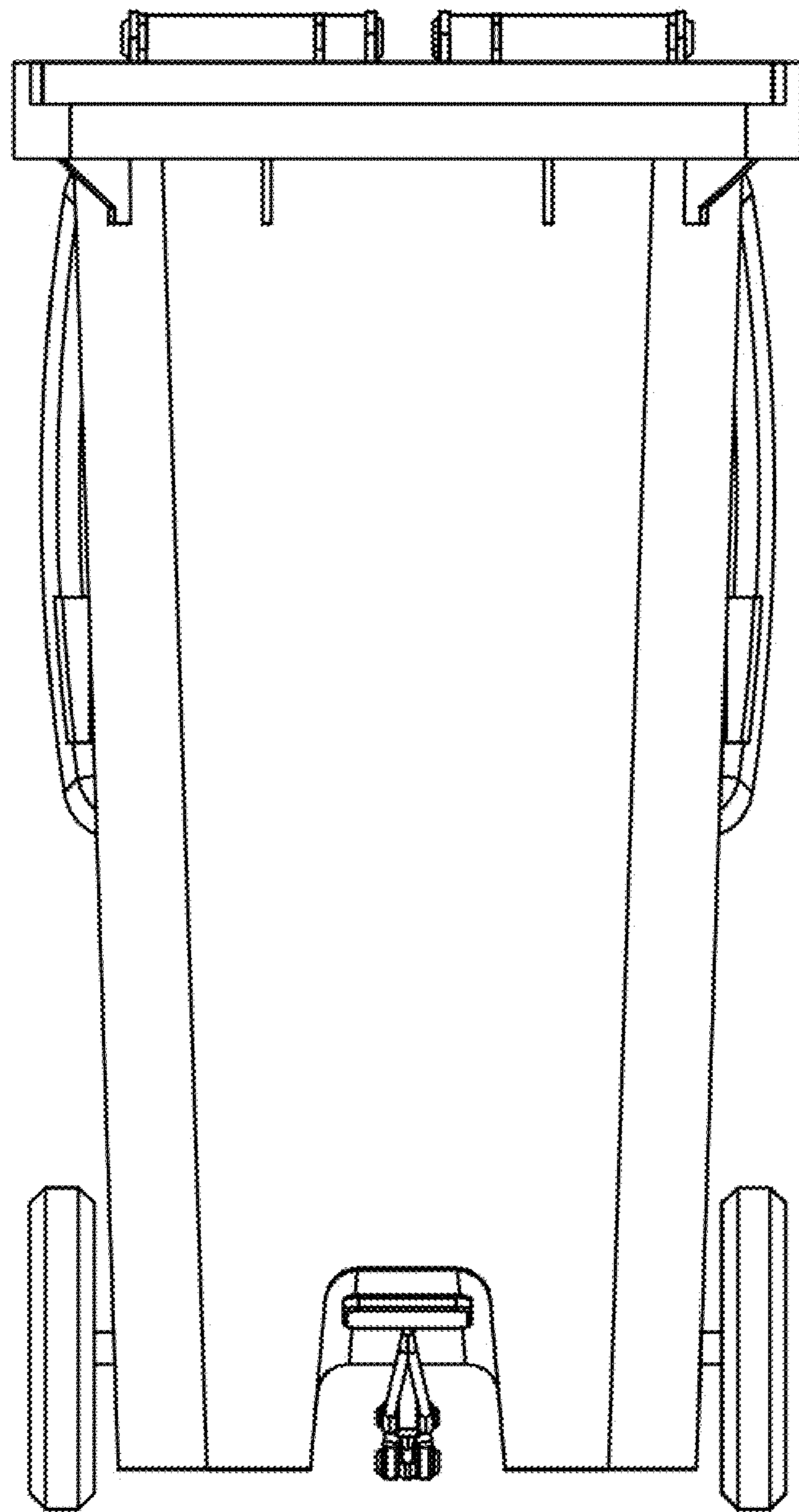


Fig. 5

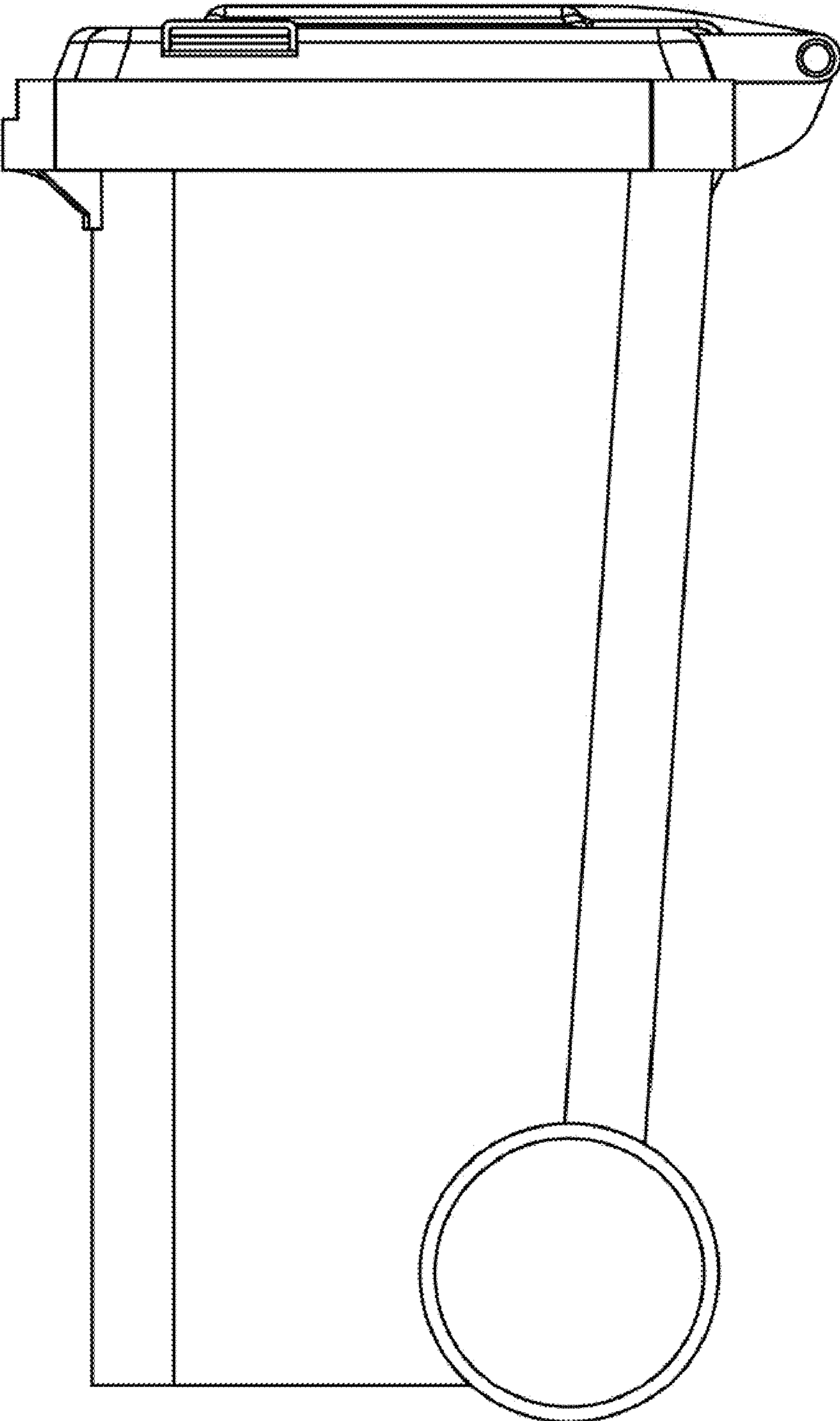


Fig. 6



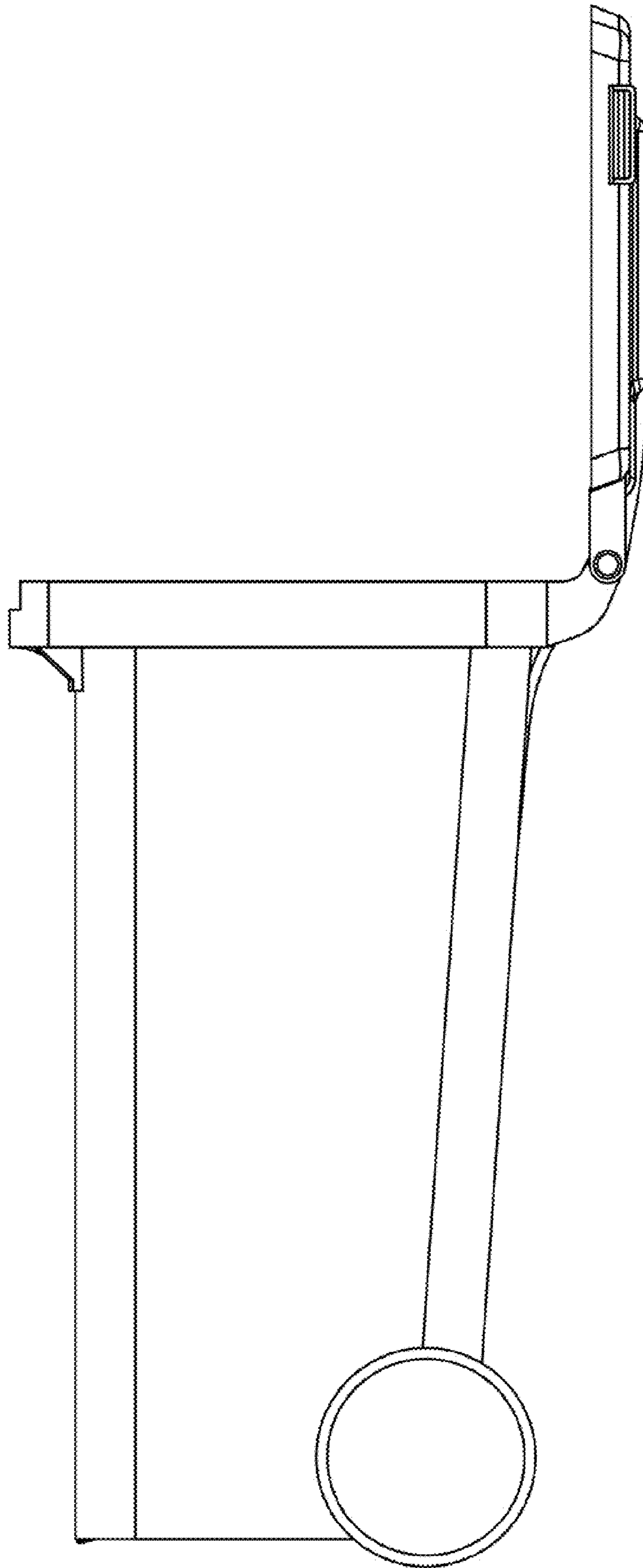


Fig. 7



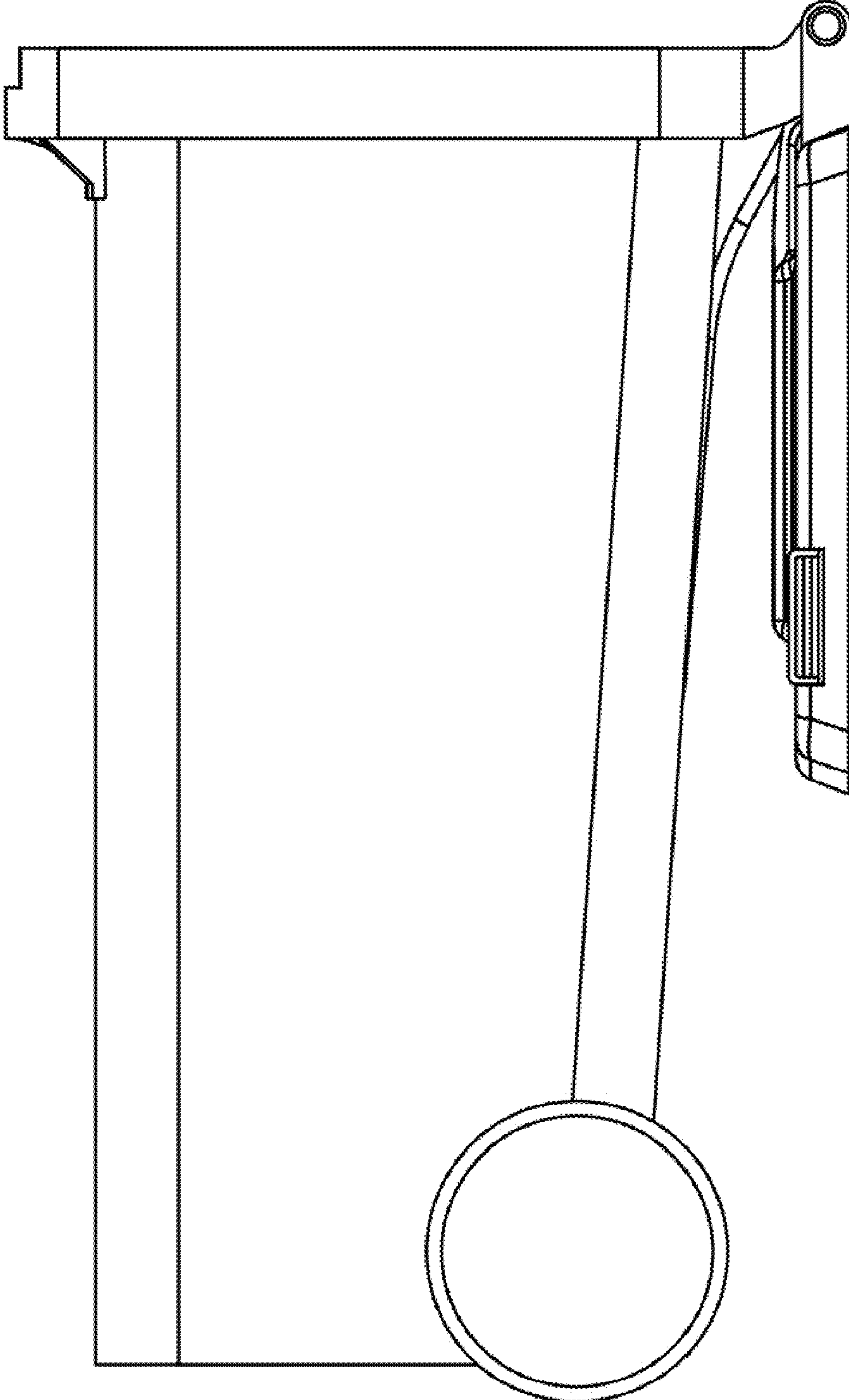


Fig. 8

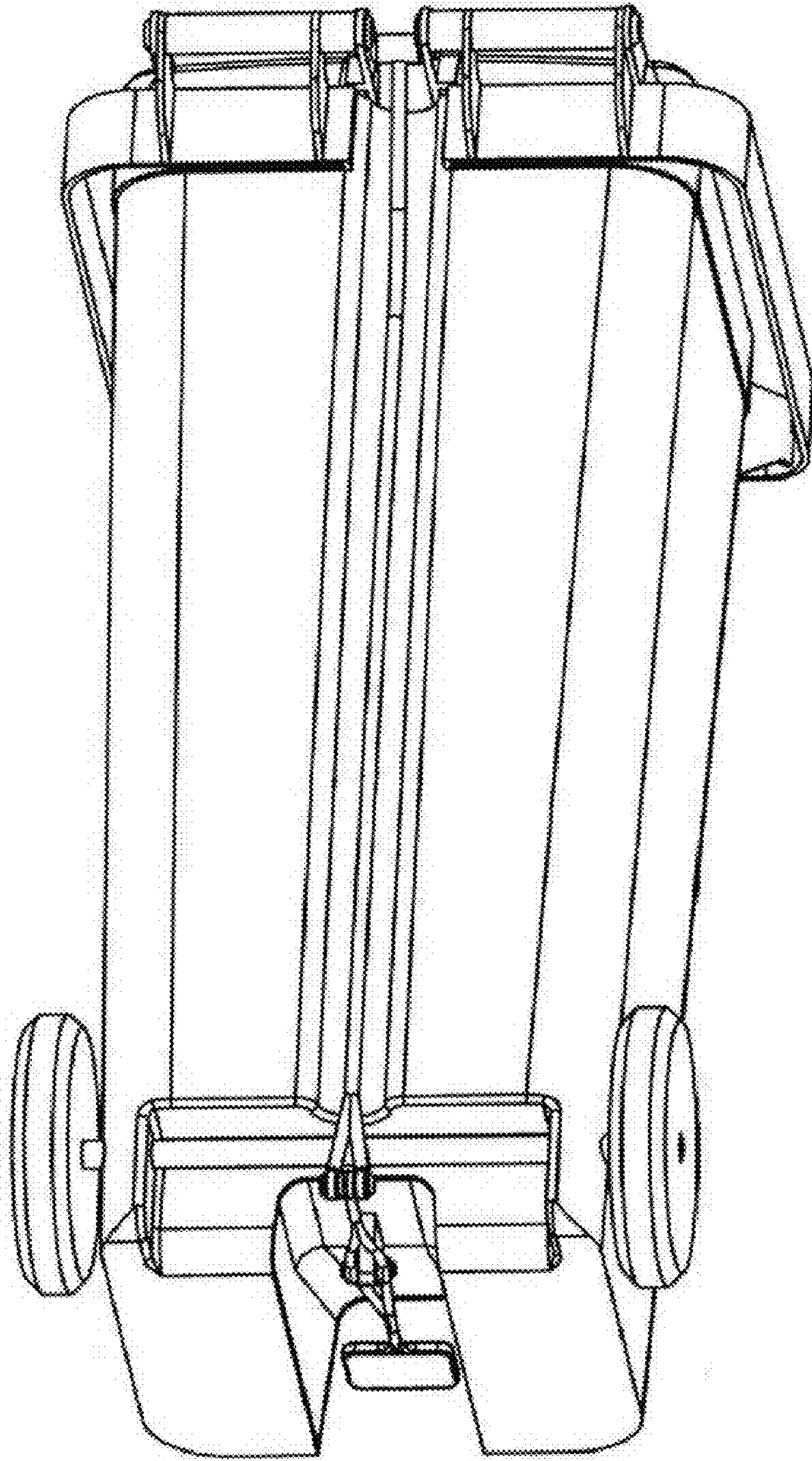


Fig. 9

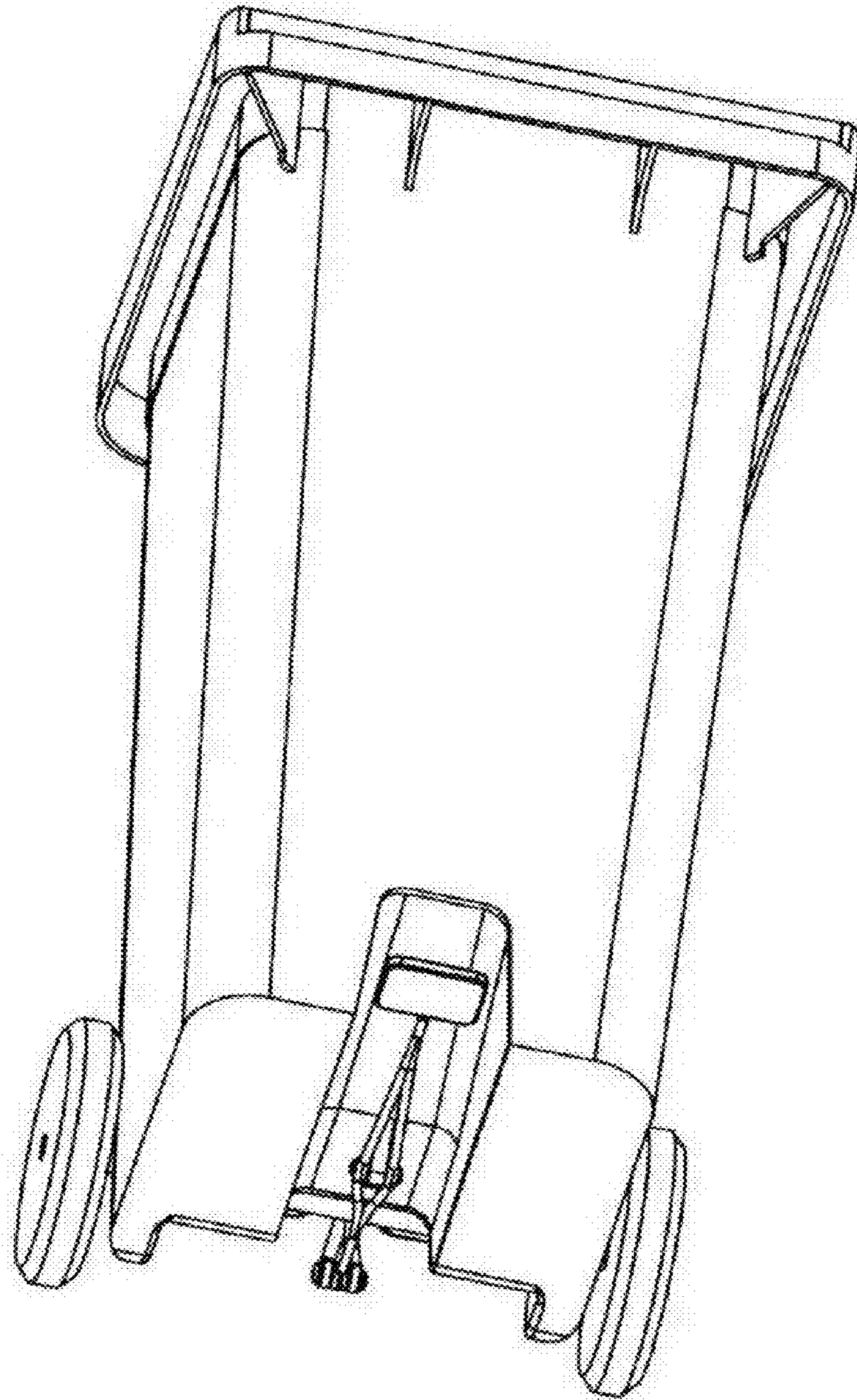


Fig. 10



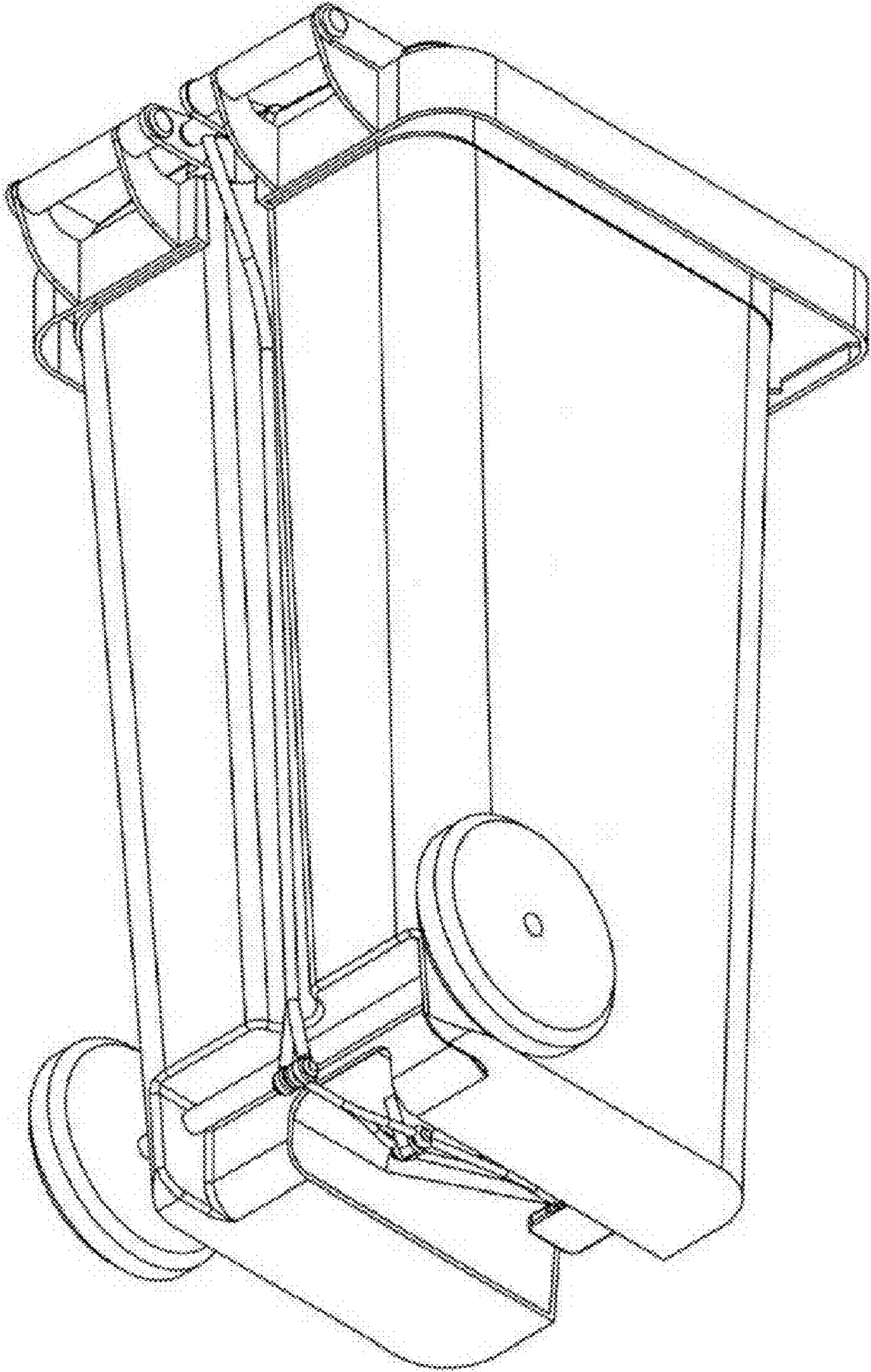


Fig. 11



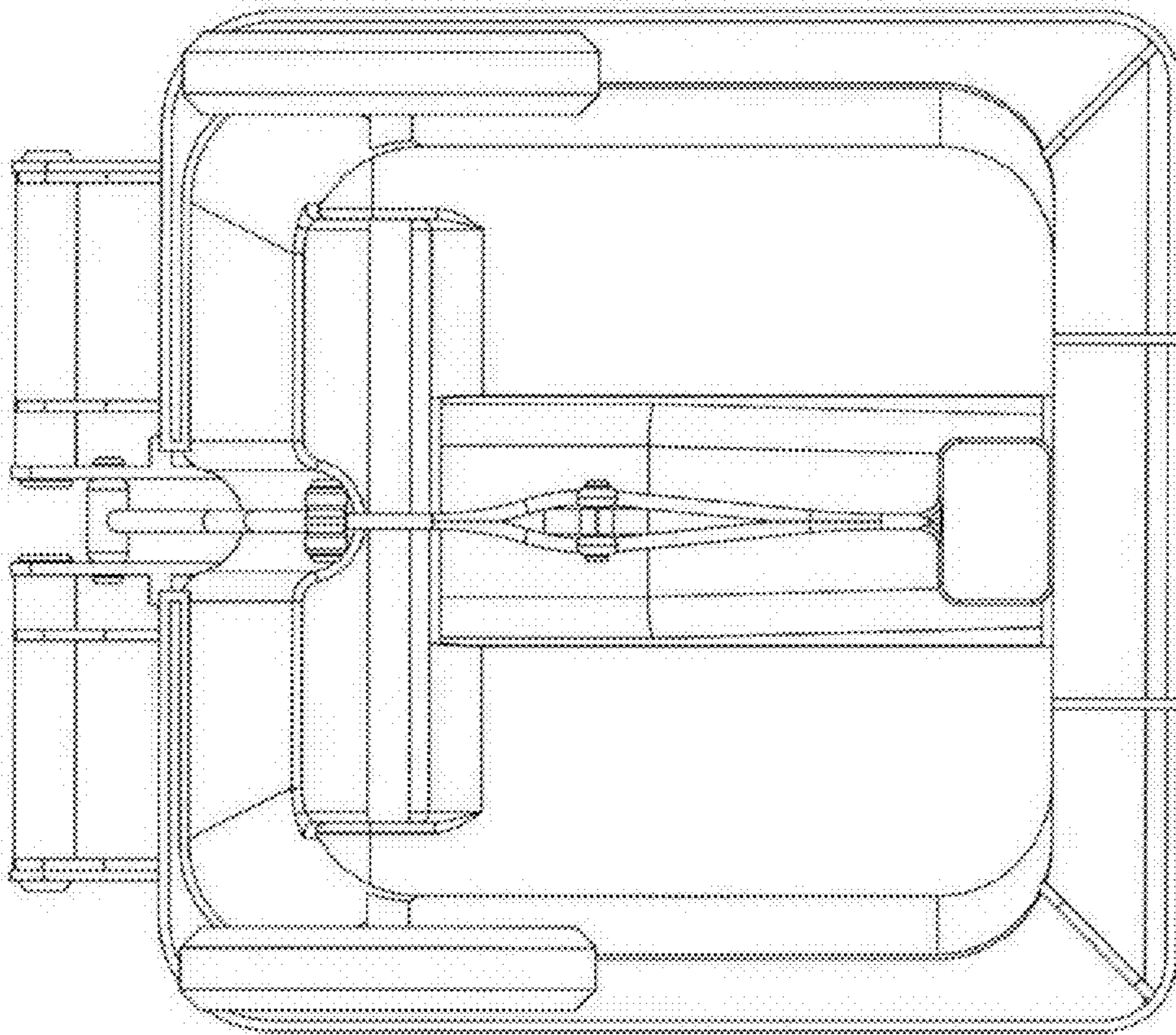


Fig. 12