



US00D643984S

(12) **United States Design Patent**
Crawley

(10) **Patent No.:** **US D643,984 S**

(45) **Date of Patent:** **** Aug. 23, 2011**

(54) **CLIP**

(75) **Inventor:** **Graeme Crawley**, Newcastle upon Tyne (GB)

(73) **Assignee:** **Black & Decker Inc.**, Newark, DE (US)

(**) **Term:** **14 Years**

(21) **Appl. No.:** **29/386,475**

(22) **Filed:** **Mar. 1, 2011**

(30) **Foreign Application Priority Data**

Oct. 21, 2010 (EM) 001240790

(51) **LOC (9) Cl.** **07-07**

(52) **U.S. Cl.** **D32/54**

(58) **Field of Classification Search** D32/53,
D32/53.1, 54; 220/694-702, 570

See application file for complete search history.

(56) **References Cited**

U.S. PATENT DOCUMENTS

D612,120 S * 3/2010 Panfili et al. D32/54

D615,263 S * 5/2010 Kent D32/54

* cited by examiner

Primary Examiner — Robin Webster

(74) *Attorney, Agent, or Firm* — Stephen R. Valancius

(57) **CLAIM**

The ornamental design for a clip, as shown and described.

DESCRIPTION

FIG. 1 is a front perspective view of a clip according to the present invention;

FIG. 2 is a rear view of the clip of FIG. 1;

FIG. 3 is a front view of the clip of FIG. 1;

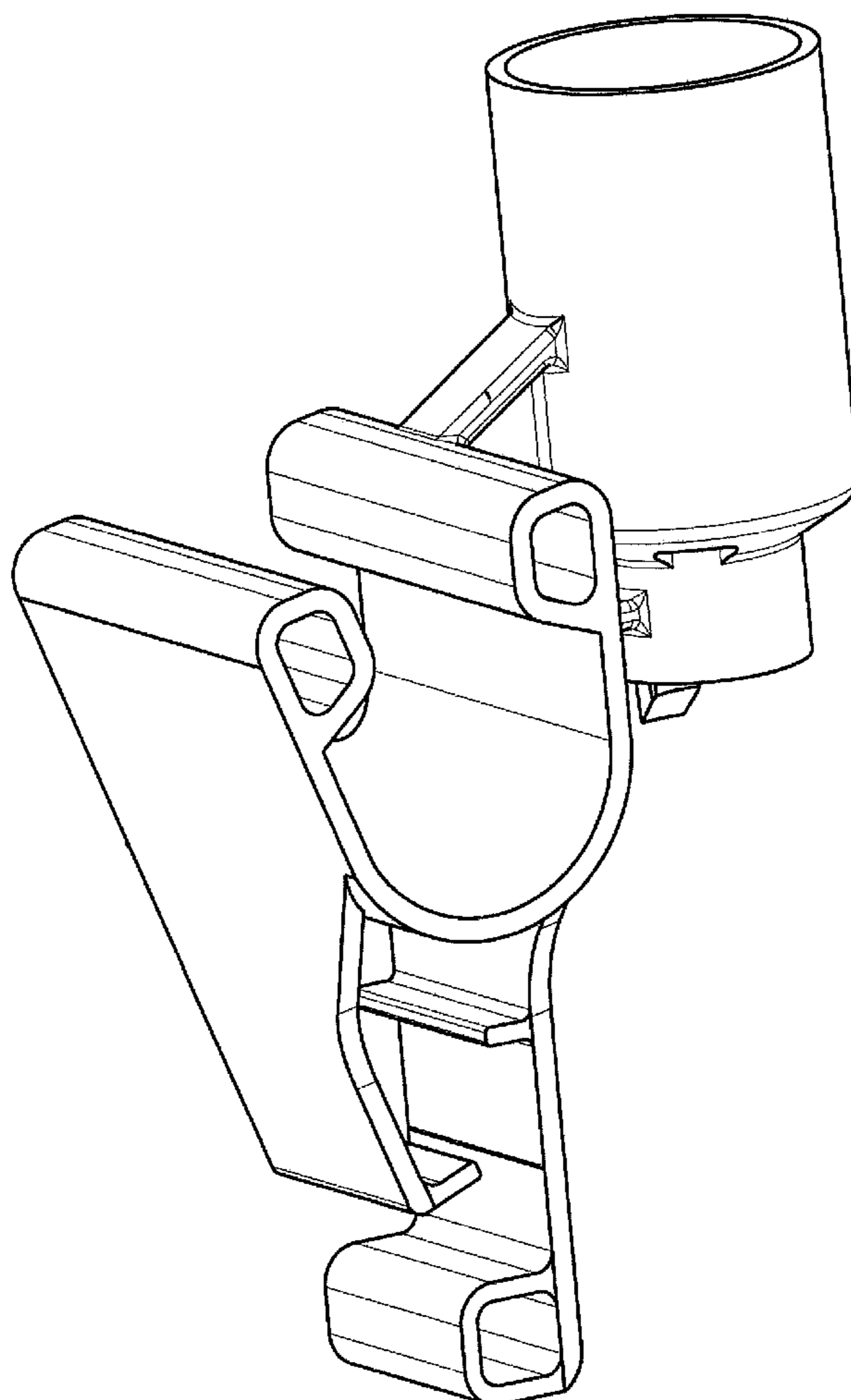
FIG. 4 is a left side view of the clip of FIG. 1;

FIG. 5 is a right side view of the clip of FIG. 1;

FIG. 6 is a top view of the clip of FIG. 1; and,

FIG. 7 is a bottom view of the clip of FIG. 1.

1 Claim, 7 Drawing Sheets



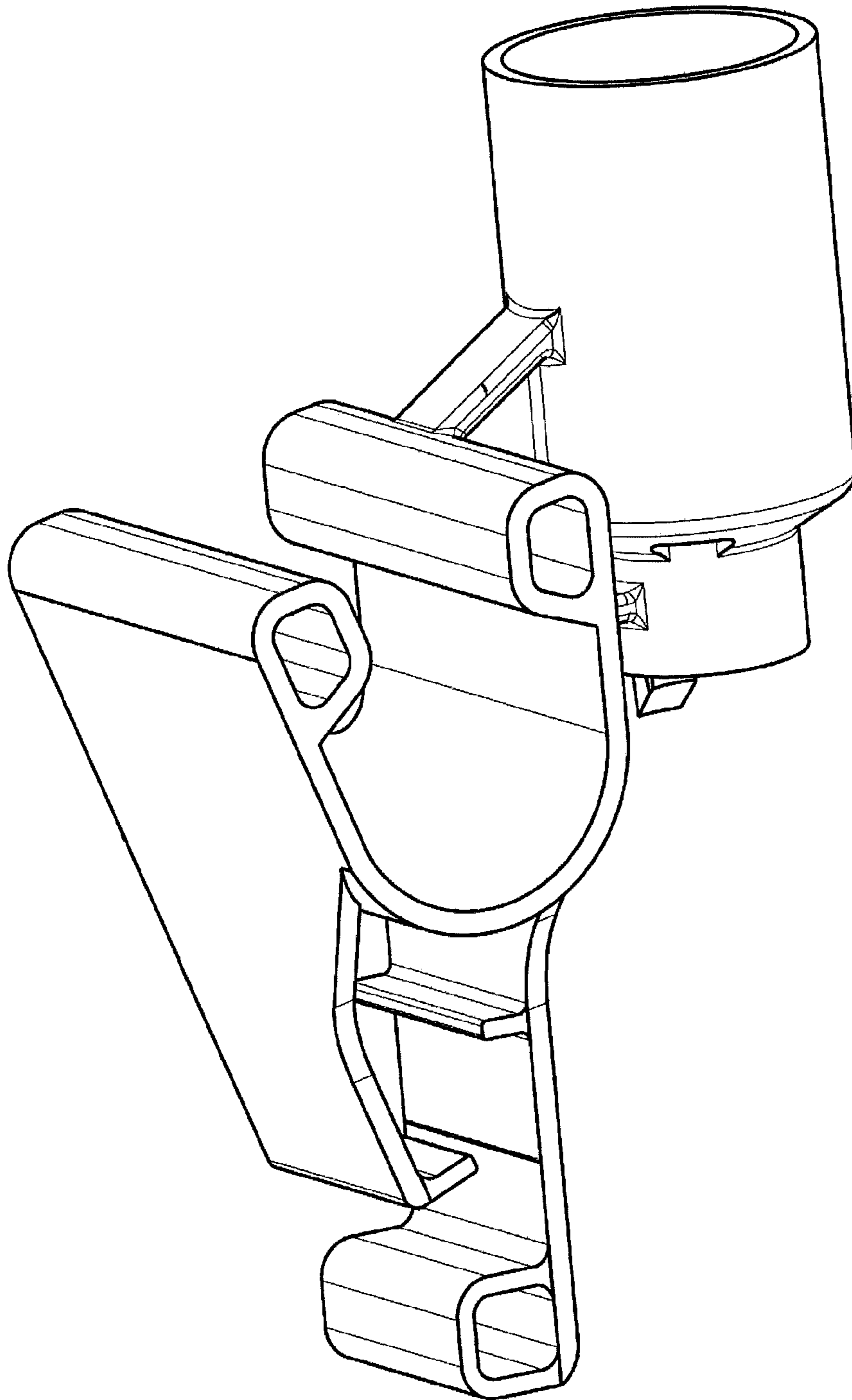


FIG. 1

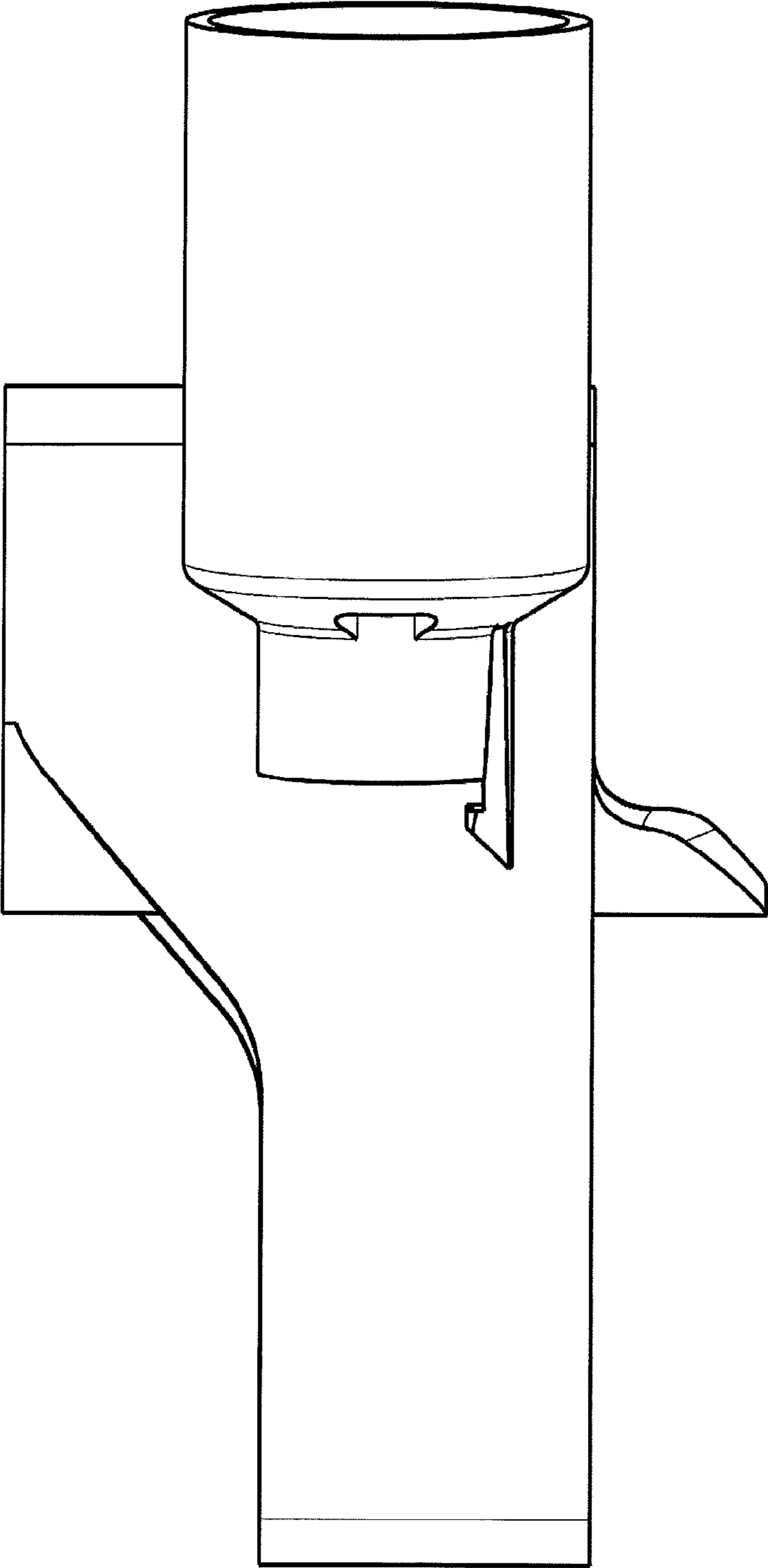


FIG. 2

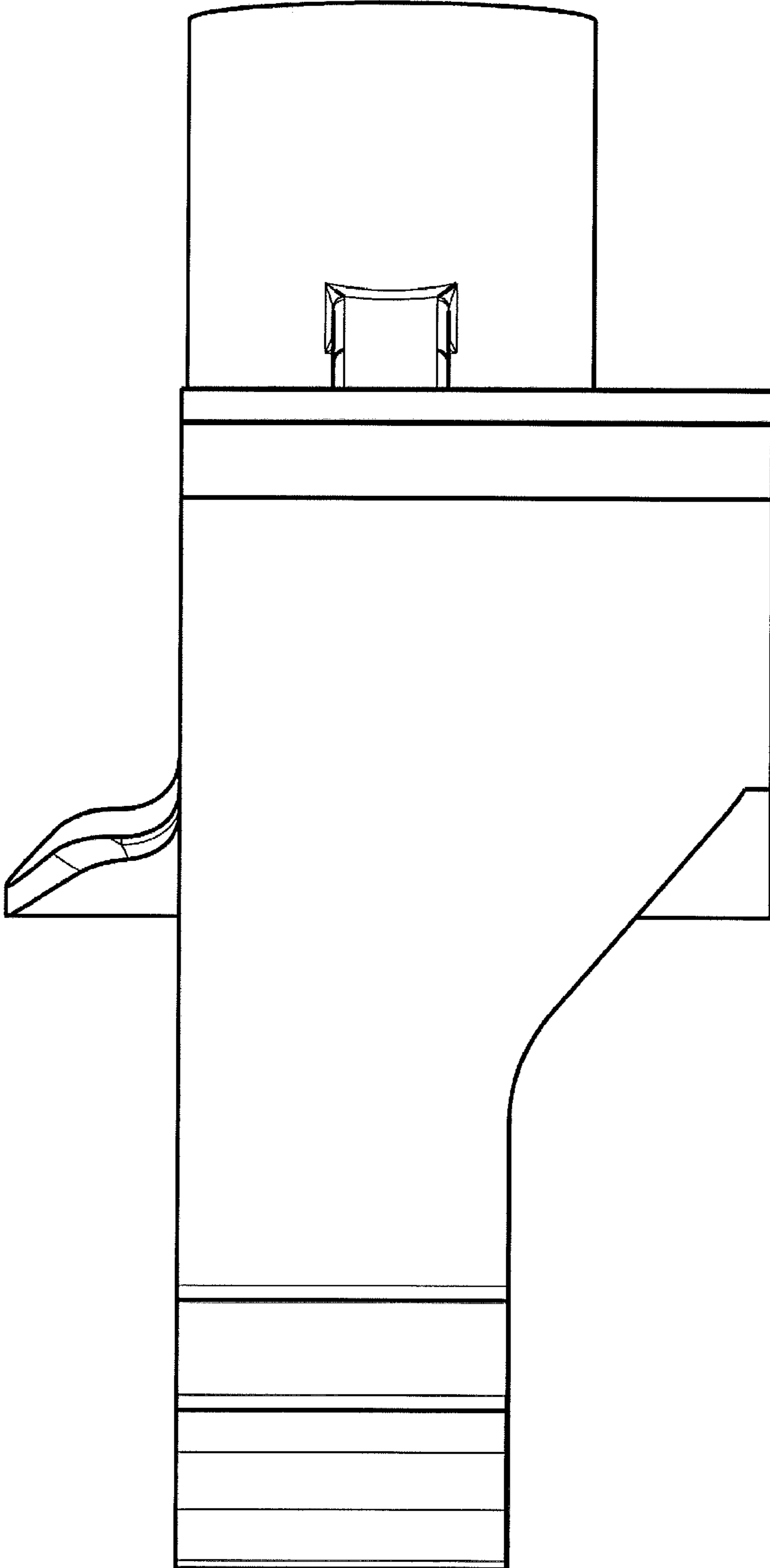


FIG. 3

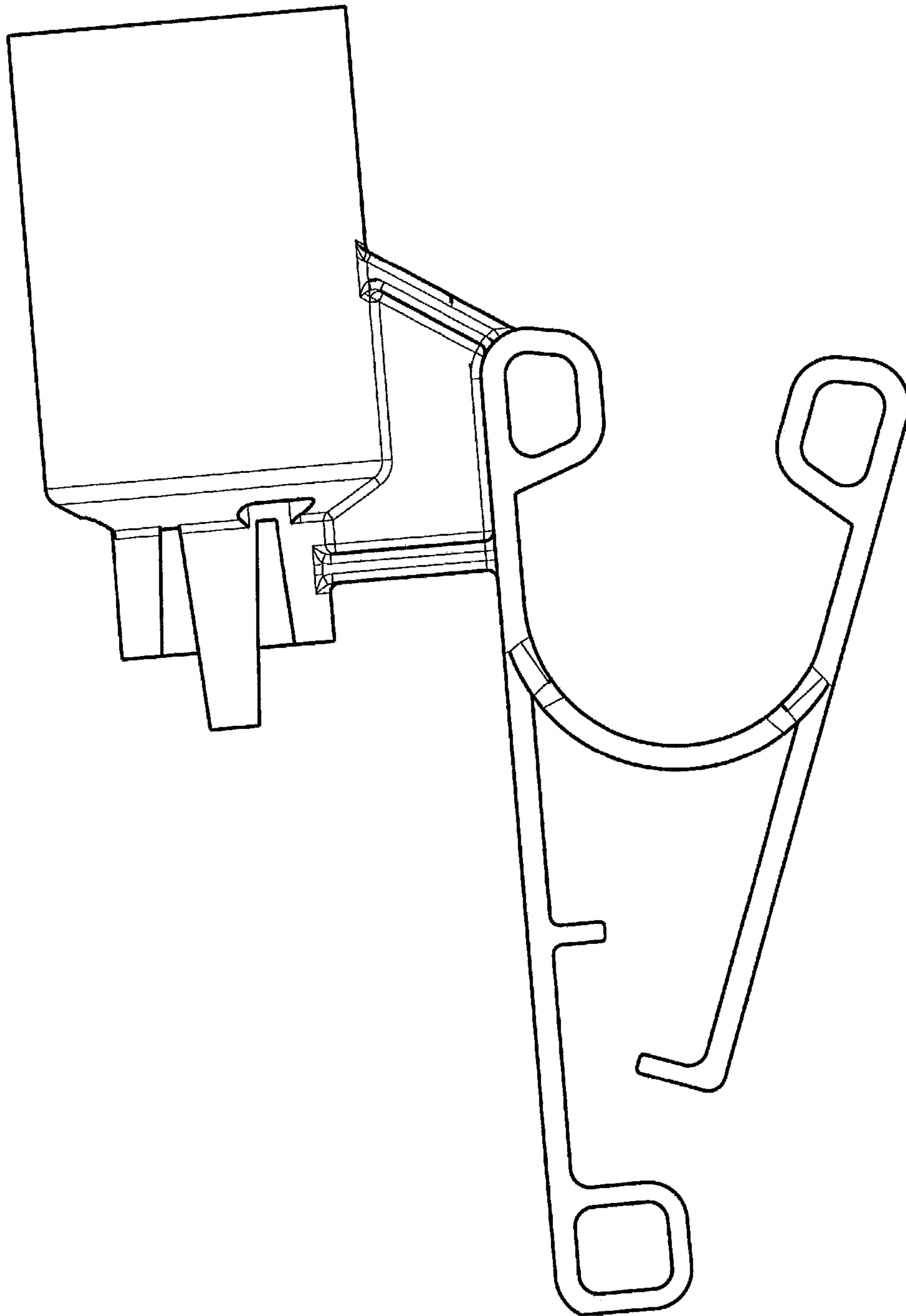


FIG. 4

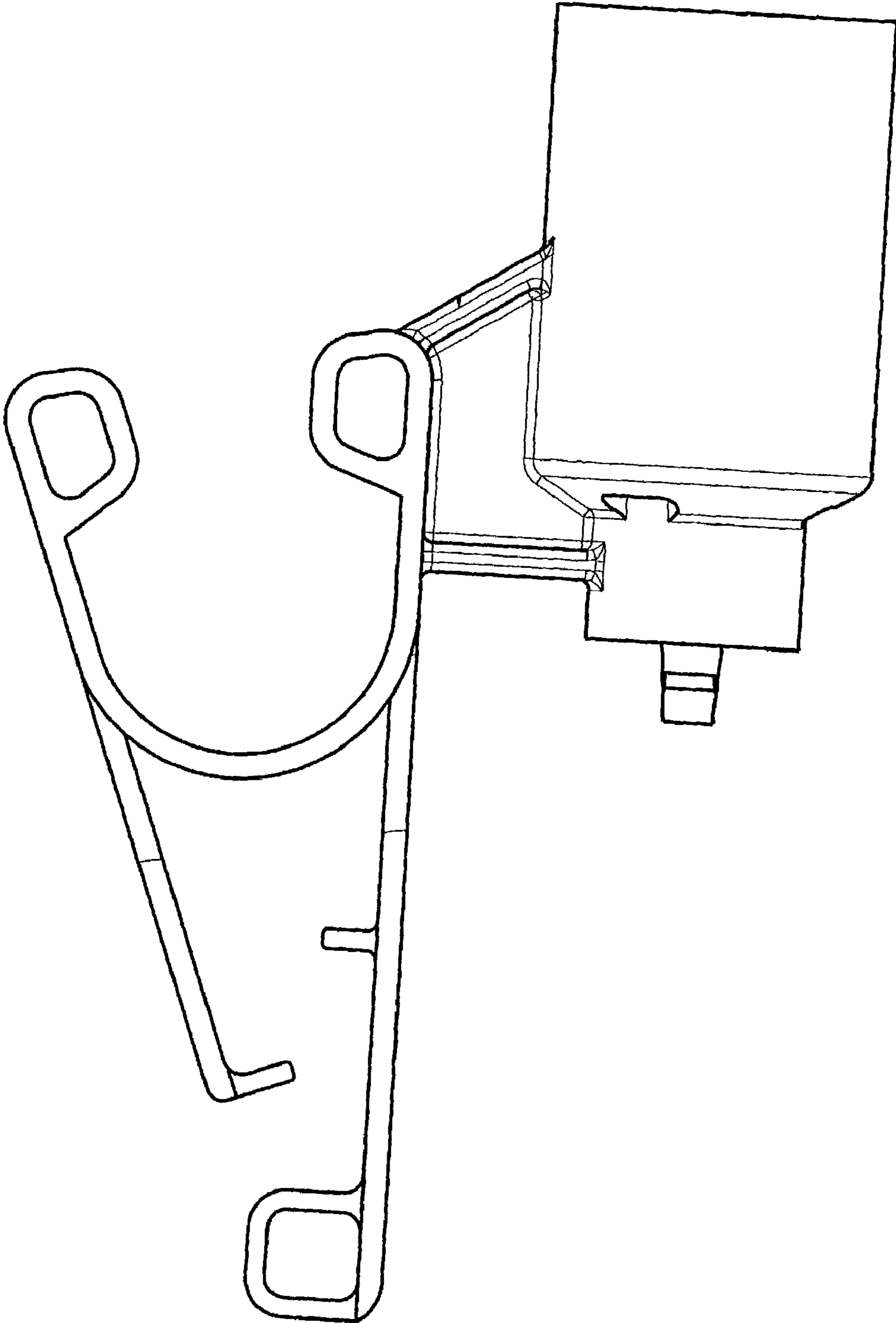


FIG. 5

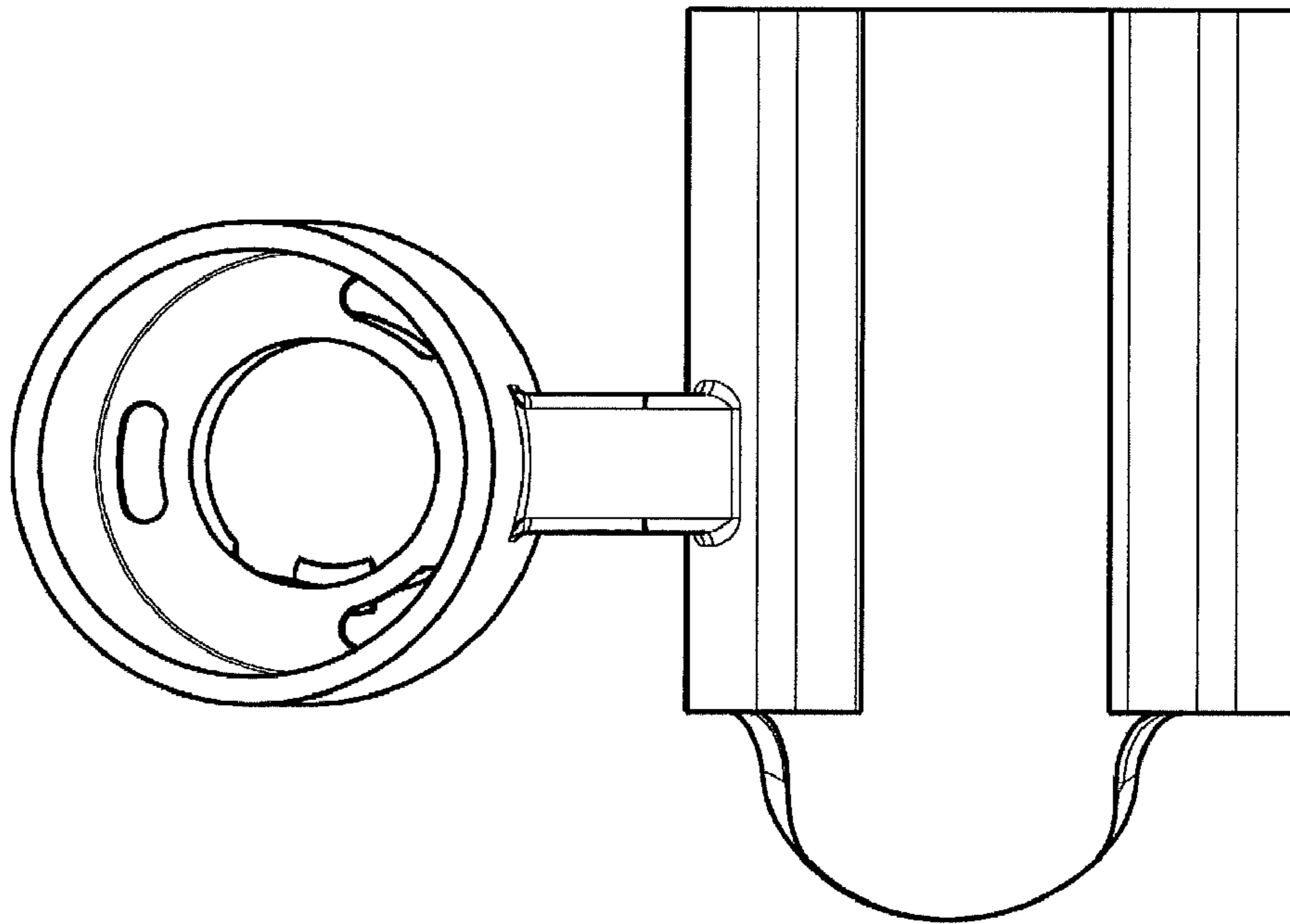


FIG. 6

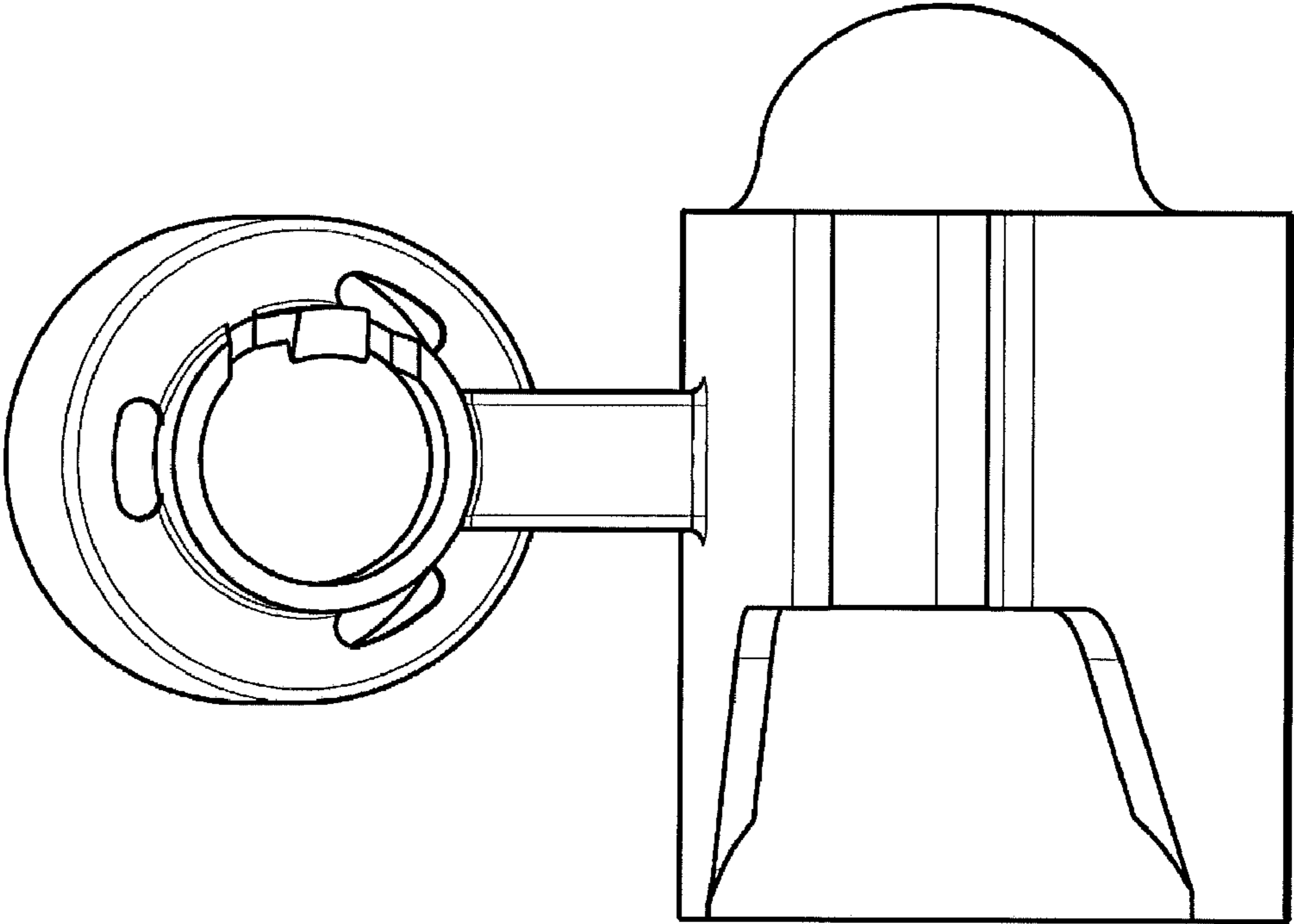


FIG. 7