



US00D643982S

(12) **United States Design Patent**
Franklin

(10) **Patent No.:** **US D643,982 S**

(45) **Date of Patent:** **** Aug. 23, 2011**

(54) **WRINGER**

(75) Inventor: **Jon Franklin**, Sidney, IL (US)

(73) Assignee: **The Libman Company**, Arcola, IL (US)

(**) Term: **14 Years**

(21) Appl. No.: **29/383,103**

(22) Filed: **Jan. 12, 2011**

(51) **LOC (9) Cl.** **07-07**

(52) **U.S. Cl.** **D32/53**

(58) **Field of Classification Search** D32/53-54;
15/260-264

See application file for complete search history.

D489,852 S	5/2004	Perelli	
D499,223 S	11/2004	Libman et al.	
D516,763 S	3/2006	Escarpa Gil	
D525,404 S	7/2006	Petner et al.	
D528,729 S	9/2006	Van LANDINGHAM, Jr.	
D542,494 S	5/2007	Lauer et al.	
D542,992 S	5/2007	Lauer	
7,225,499 B1	6/2007	Duncan et al.	
D548,913 S	8/2007	Van LANDINGHAM, Jr.	
D550,418 S	9/2007	Weaver et al.	
D557,472 S	12/2007	Renner	
7,350,260 B2	4/2008	Papa	
7,383,604 B2	6/2008	Young	
D578,263 S	10/2008	Pho	
7,464,435 B2	12/2008	Young	
7,540,063 B2	6/2009	Petner	
7,571,831 B2	8/2009	Lauer et al.	
7,587,784 B2	9/2009	Duncan et al.	
D607,623 S *	1/2010	Hagen	D32/53
2002/0120997 A1	9/2002	Alt	

(Continued)

(56) **References Cited**

U.S. PATENT DOCUMENTS

661,930 A	11/1900	Finch	
976,238 A	11/1910	White et al.	
1,486,284 A	3/1924	Eiffe	
1,493,926 A	5/1924	Eiffe	
2,337,319 A	12/1943	Elkington	
2,802,233 A	8/1957	Eberly et al.	
4,047,261 A	9/1977	Rones	
D250,507 S	12/1978	Rafterly et al.	
D255,976 S	7/1980	Maza et al.	
4,716,619 A	1/1988	Young	
D296,254 S	6/1988	Jaros et al.	
D305,170 S	12/1989	Jaros et al.	
5,070,574 A *	12/1991	Delmerico et al.	15/261
D338,299 S	8/1993	Delmerico et al.	
D344,379 S	2/1994	Clark, Jr.	
D362,941 S	10/1995	Delmerico et al.	
D383,580 S	9/1997	Bolster et al.	
D417,051 S	11/1999	Dickinson et al.	
5,974,621 A	11/1999	Wilen	
5,983,441 A	11/1999	Williams et al.	
6,006,397 A	12/1999	Williams et al.	
6,128,803 A	10/2000	Dickinson et al.	
6,389,638 B1	5/2002	Dickinson et al.	
6,457,203 B1	10/2002	Williams et al.	

Primary Examiner — Robin V Webster

(74) *Attorney, Agent, or Firm* — Banner & Witcoff, Ltd.

(57) **CLAIM**

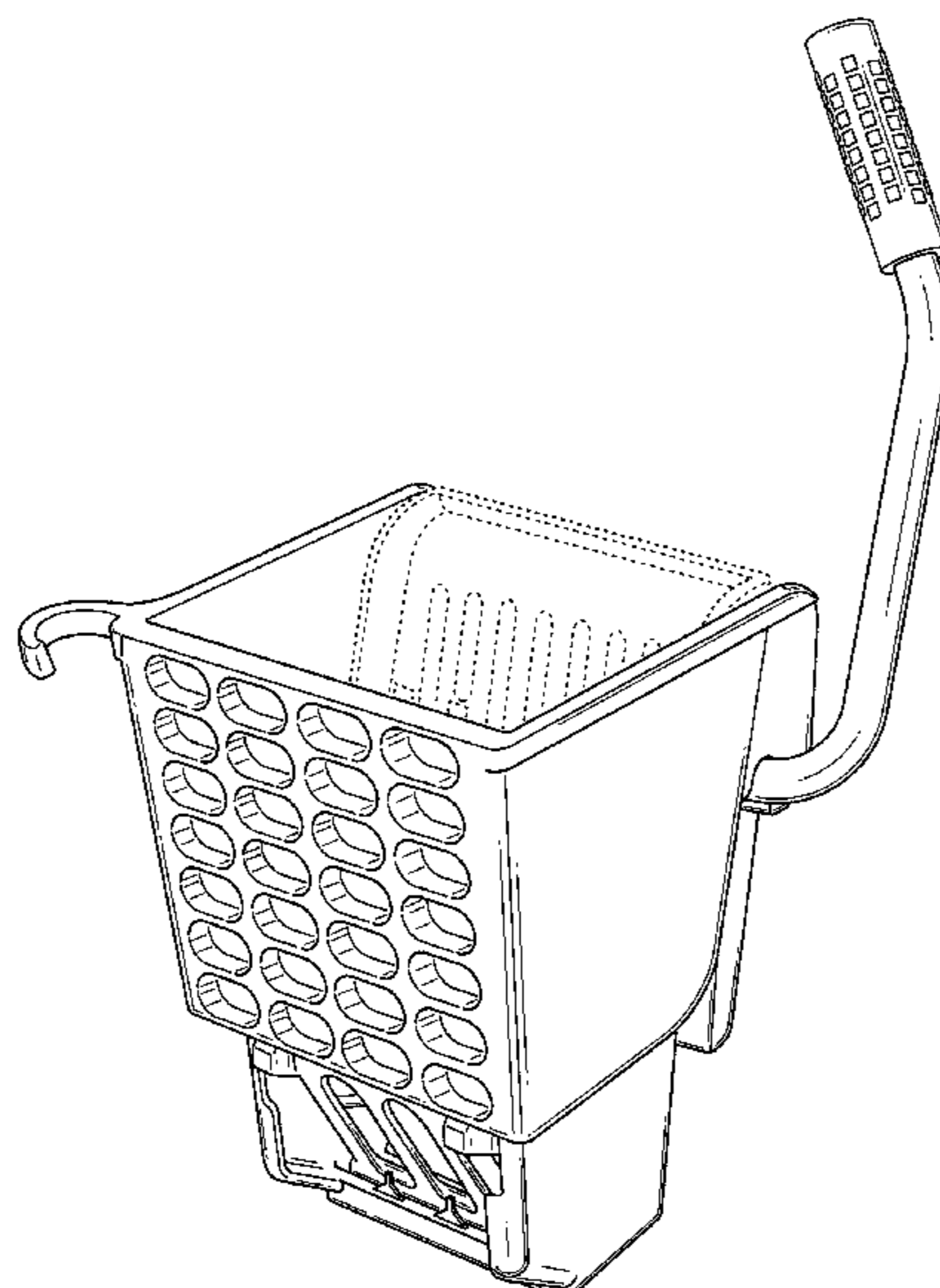
The ornamental design for a wringer, as shown and described.

DESCRIPTION

FIG. 1 is a top, front, right perspective view of a wringer showing my new design;
FIG. 2 is a front view thereof;
FIG. 3 is a rear view thereof;
FIG. 4 is a left side view thereof;
FIG. 5 is a right side view thereof;
FIG. 6 is a top view thereof; and,
FIG. 7 is a bottom view thereof.

The uneven-length broken lines represent unclaimed boundaries of the claimed design. The even-length broken lines showing the remainder of the wringer are for environmental purposes only and form no part of the claimed design.

1 Claim, 7 Drawing Sheets



US D643,982 S

Page 2

U.S. PATENT DOCUMENTS

2003/0217428	A1	11/2003	Perelli	2007/0084009	A1	4/2007	Bensussan
2005/0204503	A1	9/2005	Burns	2007/0266518	A1	11/2007	Hoyle et al.
2006/0085939	A1	4/2006	Petner	2008/0209664	A1	9/2008	Young
2006/0143850	A1	7/2006	Young	2008/0282493	A1	11/2008	Petner
2006/0213021	A1	9/2006	Ducharme				

* cited by examiner

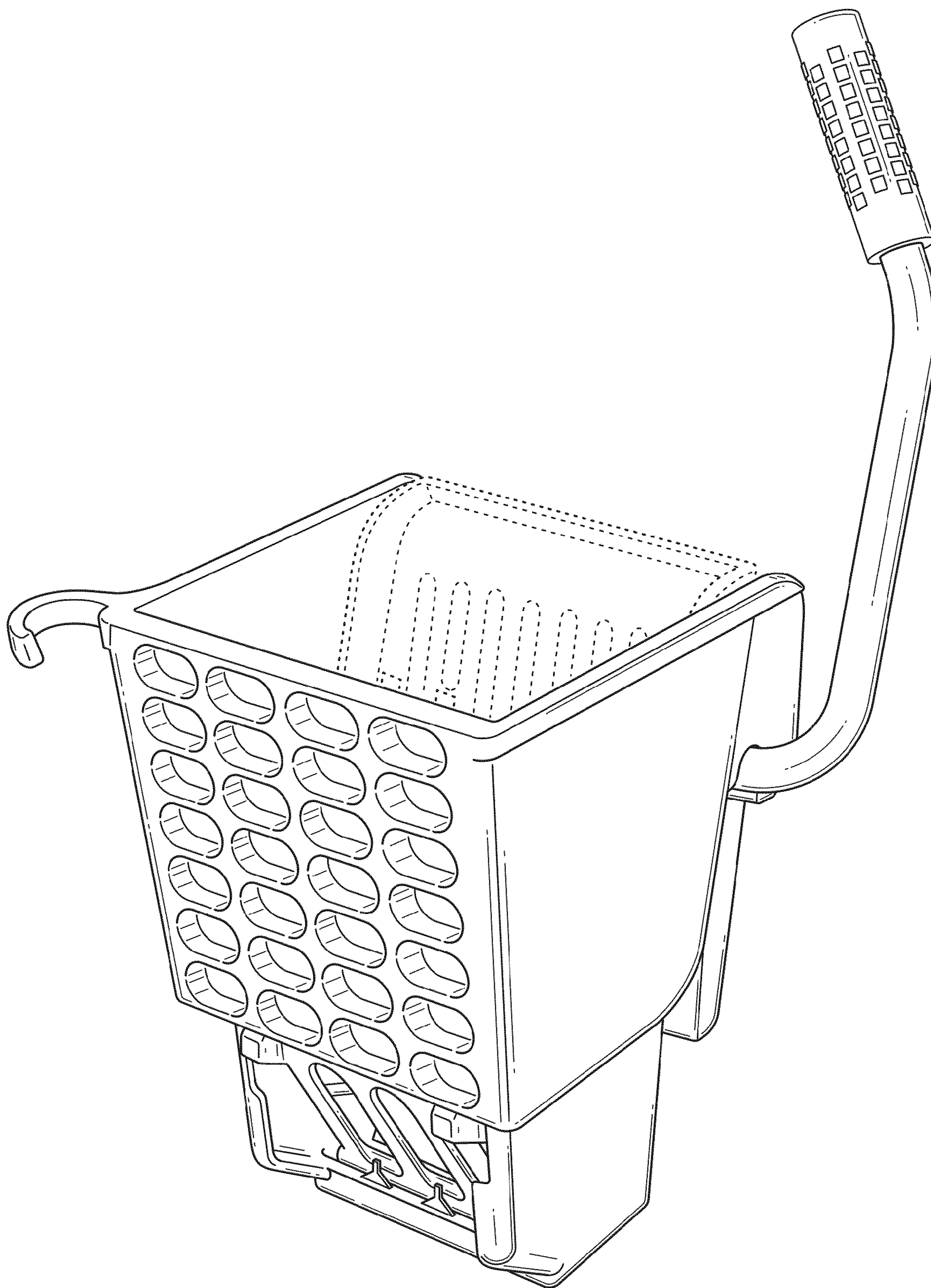


FIG. 1

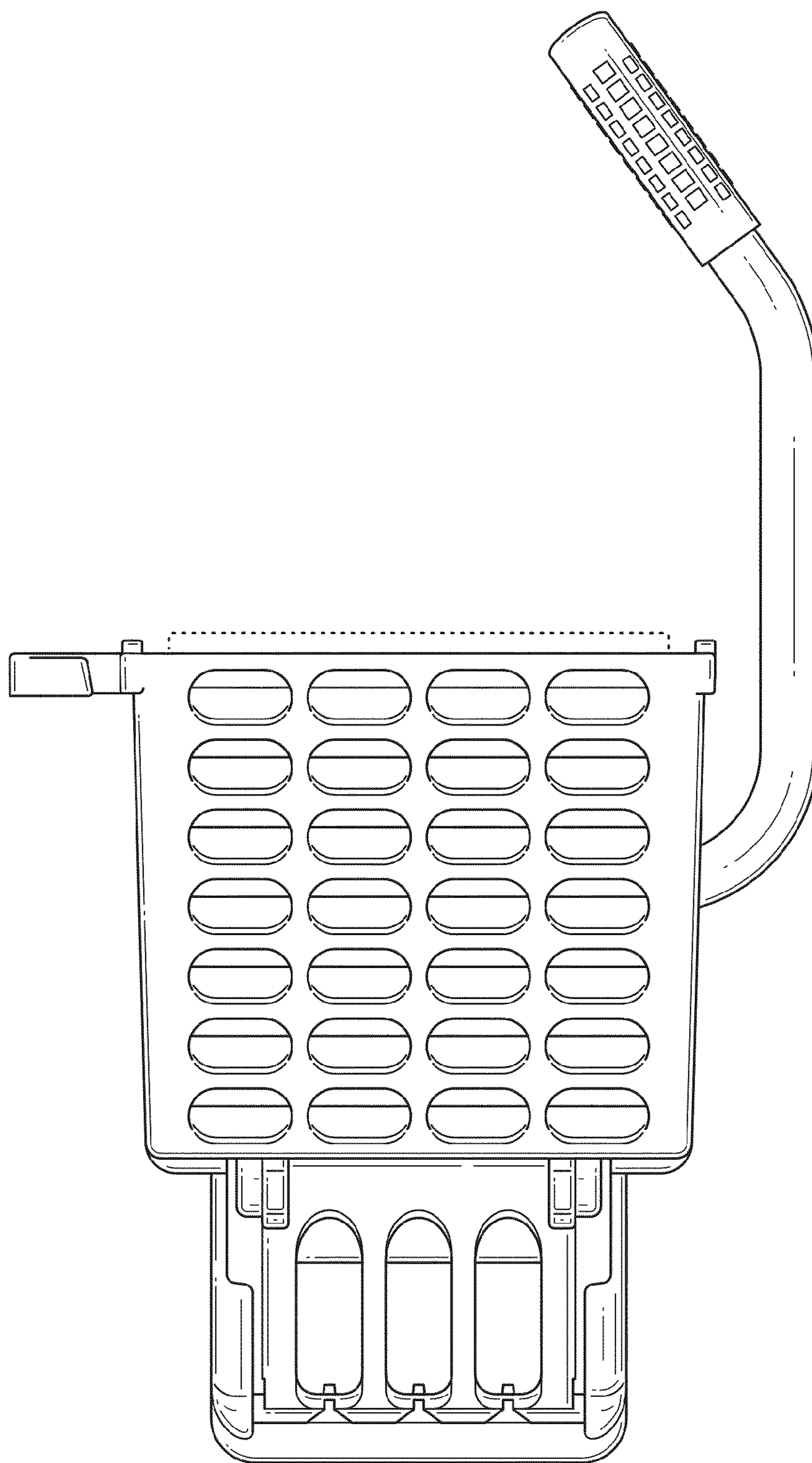


FIG. 2

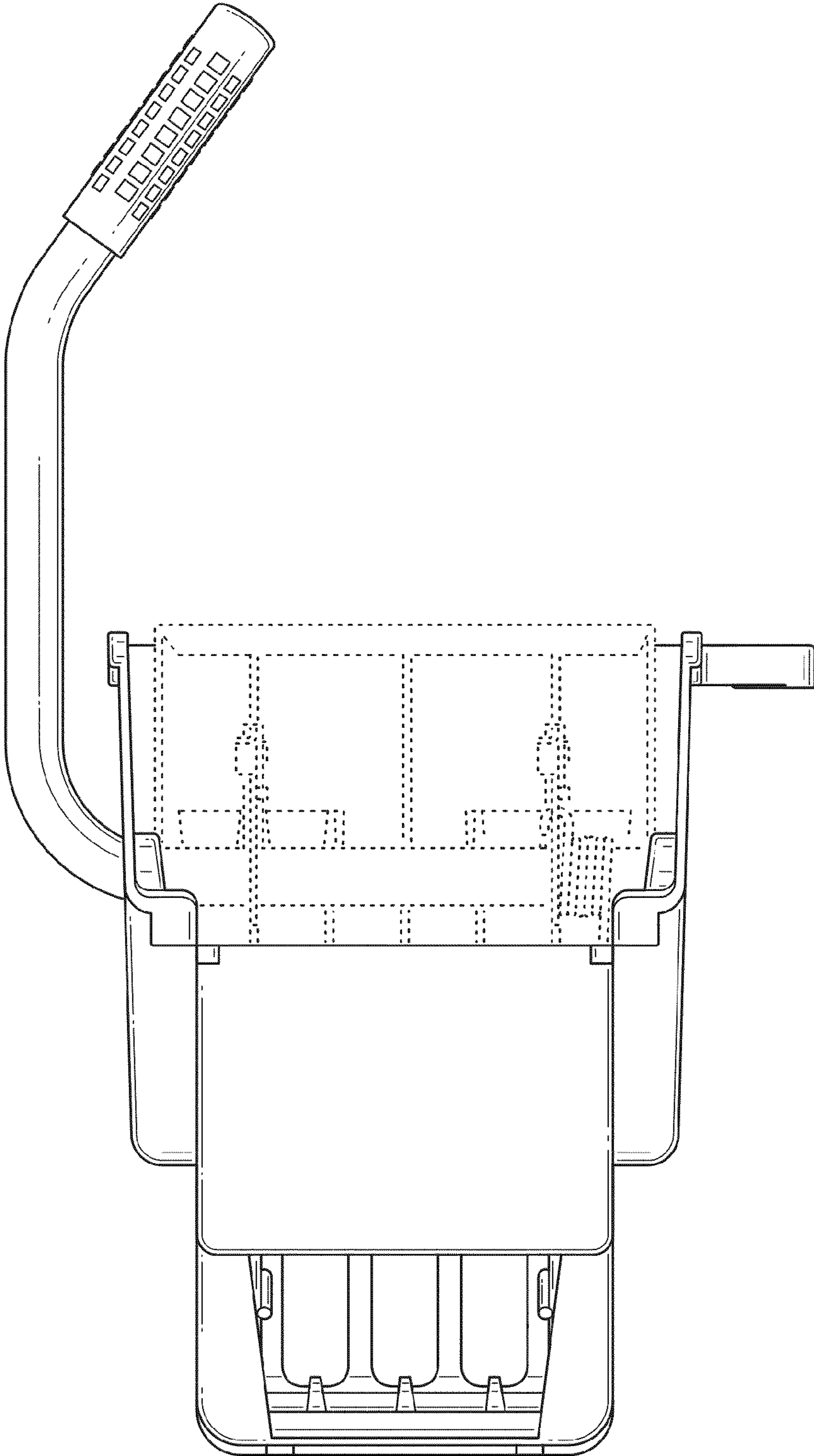


FIG. 3

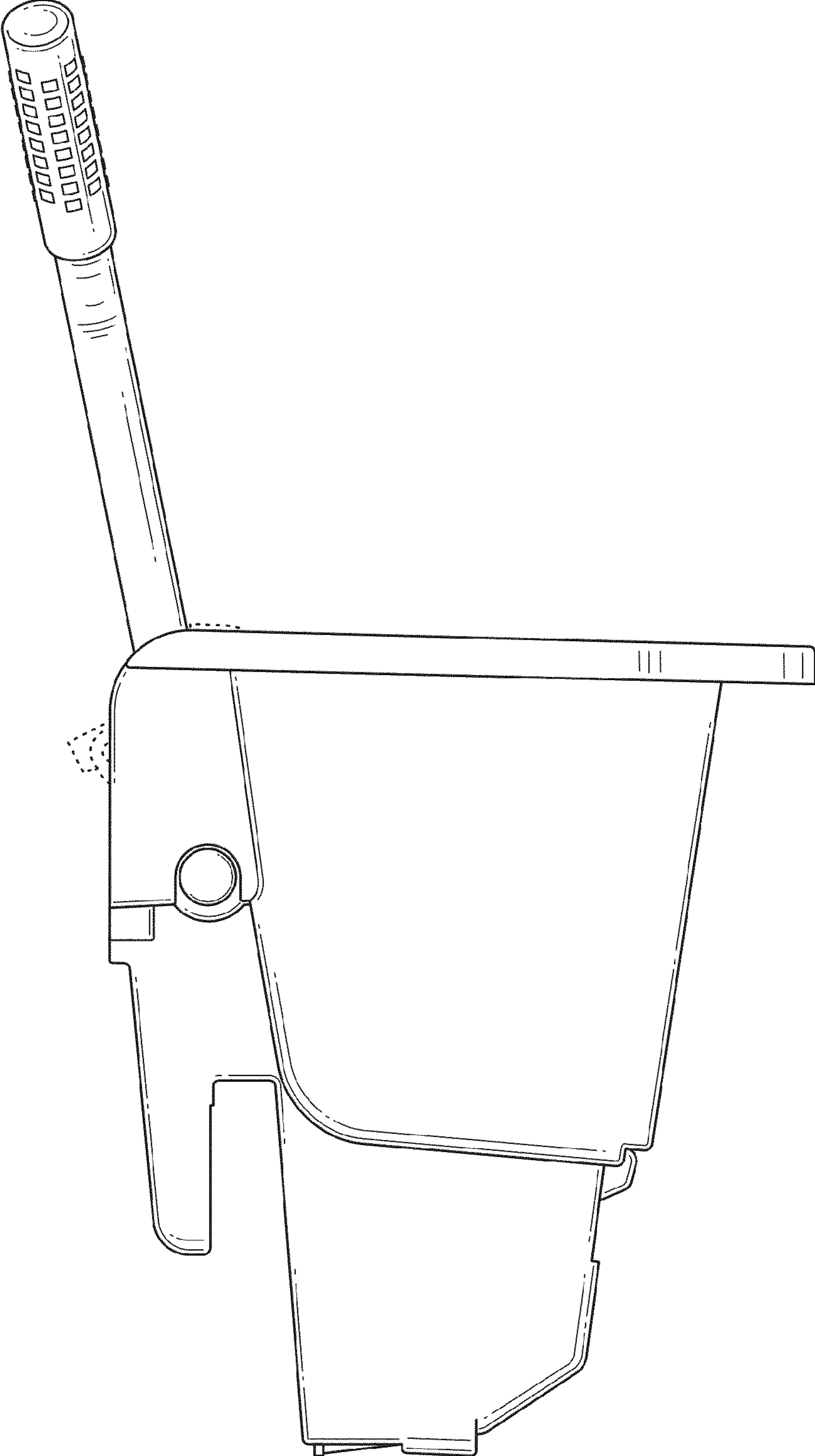


FIG. 4

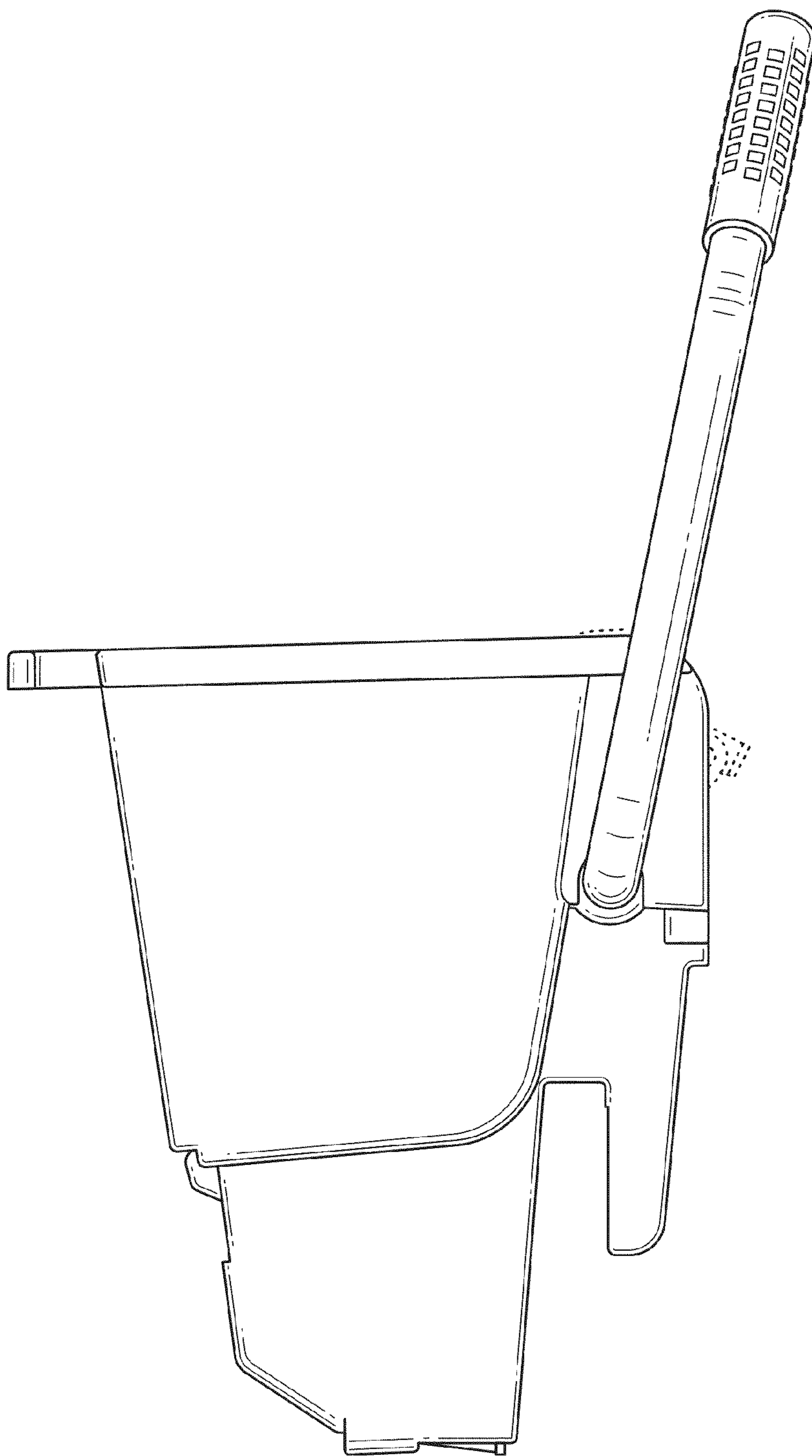


FIG. 5

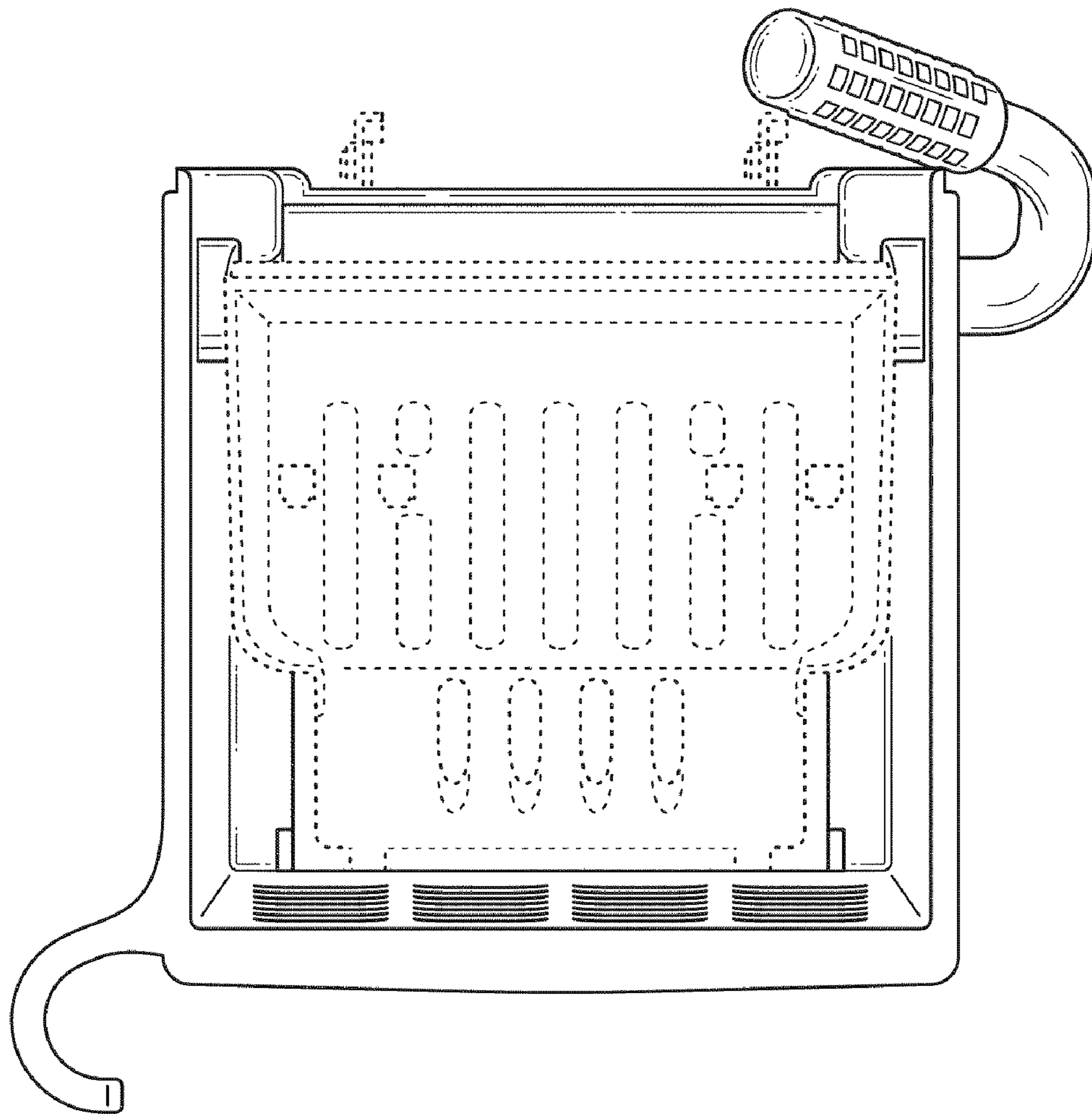


FIG. 6

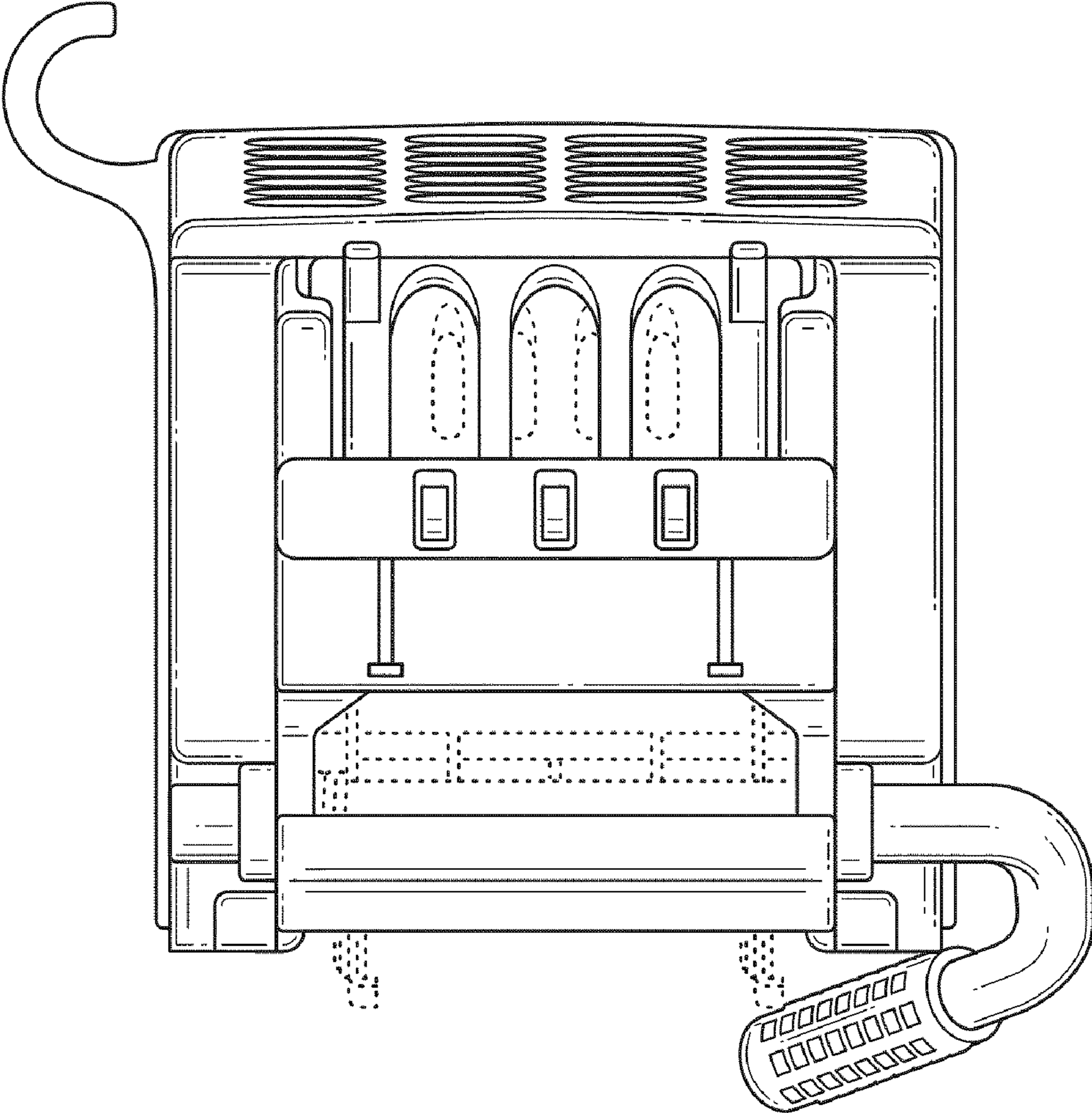


FIG. 7