



US00D643979S

(12) **United States Design Patent**
Vinson et al.

(10) **Patent No.:** **US D643,979 S**

(45) **Date of Patent:** **** Aug. 23, 2011**

(54) **HIP-CARRIED VACUUM CLEANER**

(75) Inventors: **Richard Vinson**, Idaho City, ID (US);
Don Azevedo, Boise, ID (US); **Dennis Terenzio**, Boise, ID (US)

(73) Assignee: **Emerson Electric Co.**, St. Louis, MO (US)

(**) Term: **14 Years**

(21) Appl. No.: **29/368,361**

(22) Filed: **Aug. 23, 2010**

(51) **LOC (9) Cl.** **15-05**

(52) **U.S. Cl.** **D32/21**

(58) **Field of Classification Search** D32/21-24,
D32/31; 15/327.1-327.7, 329, 412, 320-321,
15/326; 55/DIG. 3, 345, 357, 429, 271; 95/271
See application file for complete search history.

(56) **References Cited**

U.S. PATENT DOCUMENTS

| | | | | | |
|-----------|------|---------|----------------------|-------|----------|
| 4,944,065 | A * | 7/1990 | Svanberg et al. | | 15/327.5 |
| D371,676 | S | 7/1996 | Geddes, Sr. | | |
| 6,151,749 | A * | 11/2000 | Berfield | | 15/327.5 |
| D446,364 | S * | 8/2001 | Bisson | | D32/21 |
| D446,365 | S | 8/2001 | Bisson | | |
| 6,393,656 | B1 * | 5/2002 | Paterson et al. | | 15/327.5 |
| D459,039 | S | 6/2002 | Bisson | | |
| 6,473,933 | B1 * | 11/2002 | Paterson et al. | | 15/327.5 |
| D482,166 | S * | 11/2003 | Paterson et al. | | D32/21 |
| 6,647,586 | B2 | 11/2003 | Rogers et al. | | |
| D518,927 | S | 4/2006 | Rupp et al. | | |
| D521,695 | S | 5/2006 | Jacobs et al. | | |
| D537,583 | S | 2/2007 | Crevling, Jr. et al. | | |
| D581,113 | S | 11/2008 | Hoshino et al. | | |

OTHER PUBLICATIONS

Sandia Industrial Vacuums "Hipster" advertisement, entitled "What Sets Sandia Apart From the Competition?", 2 pages, available online at http://sandiaplastics.com/hipst_a.htm.

Nilfisk UZ 964 Hip Vac product brochure, 2 pages, available online at www.pa.nilfisk-advance.com.

"Tennant Lightweight Backpack Vacuum" product brochure, dated May 2010; 2 pages; available at www.tennantco.com.

* cited by examiner

Primary Examiner — Ruth McInroy

(74) *Attorney, Agent, or Firm* — Locke Lord Bissell & Liddell LLP

(57) **CLAIM**

We claim the ornamental design for a hip-carried vacuum cleaner, as shown and described.

DESCRIPTION

FIG. 1 is a front perspective view of a hip-carried vacuum cleaner showing our new design;

FIG. 2 is a front elevational view thereof, attached to a hip-mounting harness shown in broken lines;

FIG. 3 is a rear view thereof;

FIG. 4 is a side view thereof;

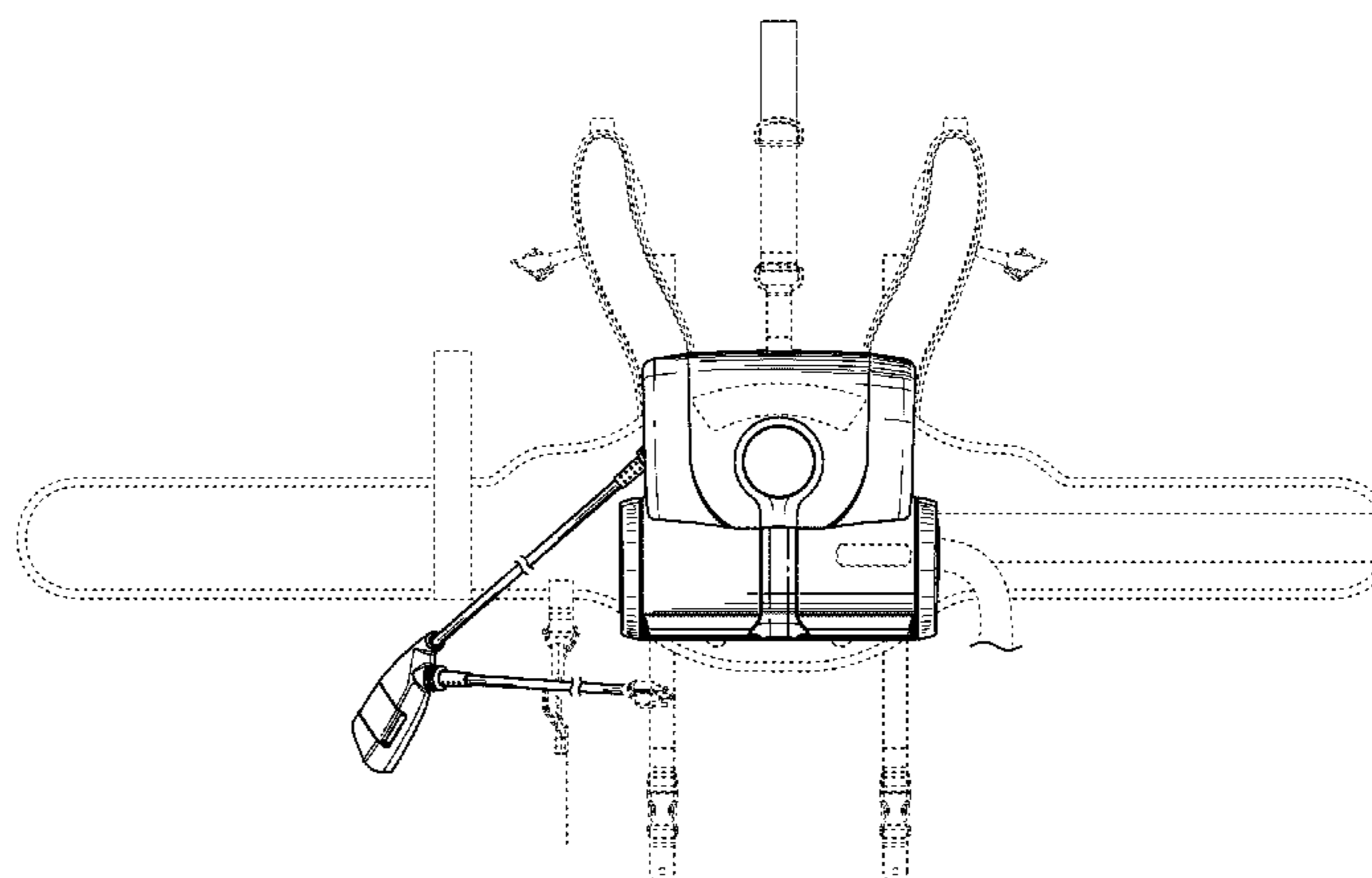
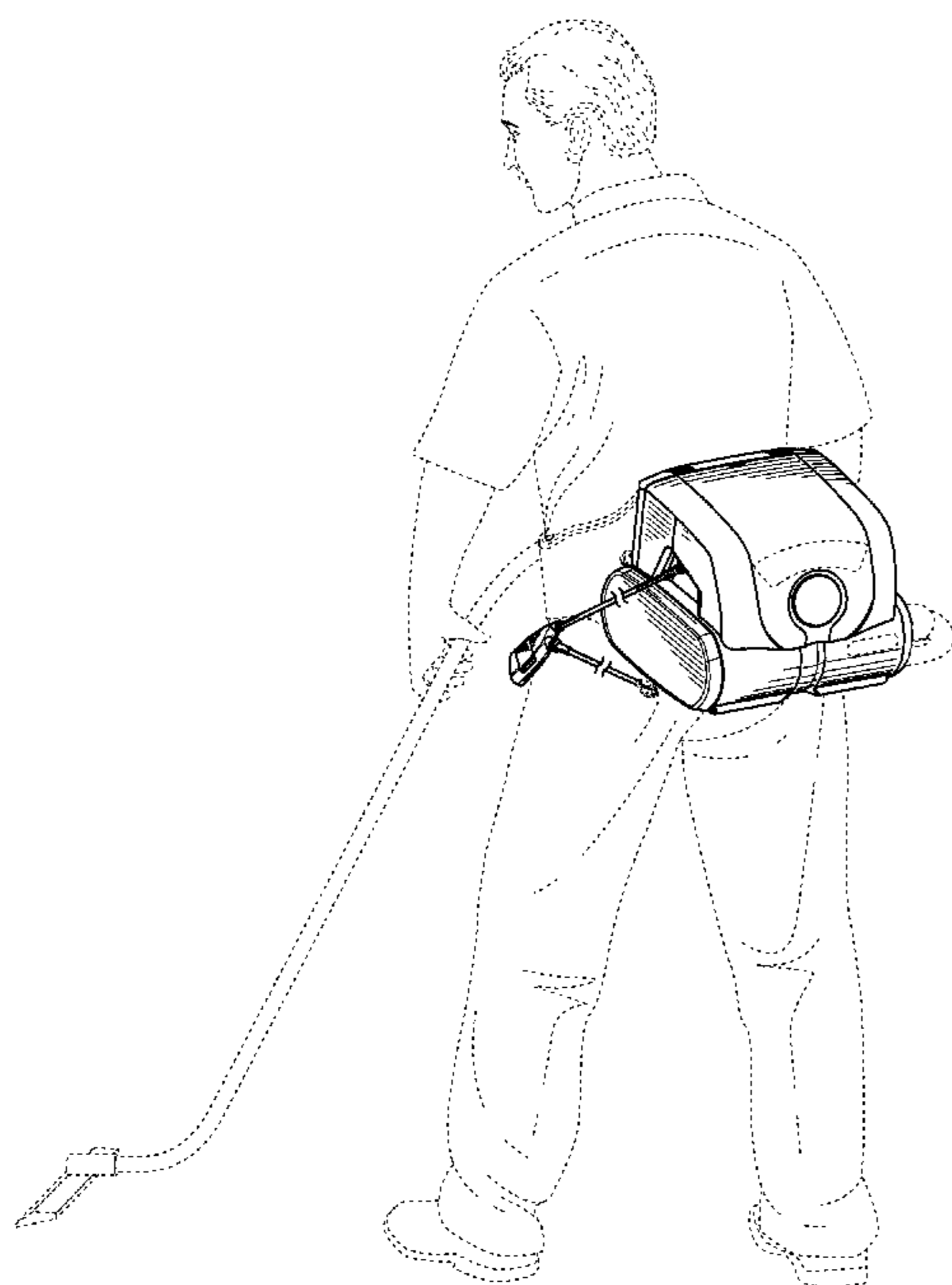
FIG. 5 is a side view showing the side opposite that shown in FIG. 4;

FIG. 6 is a top plan view thereof; and,

FIG. 7 is a bottom plan view thereof.

The broken lines in the Figures is for the purpose of illustrating exemplary environmental structure and forms no part of the claimed design.

1 Claim, 5 Drawing Sheets



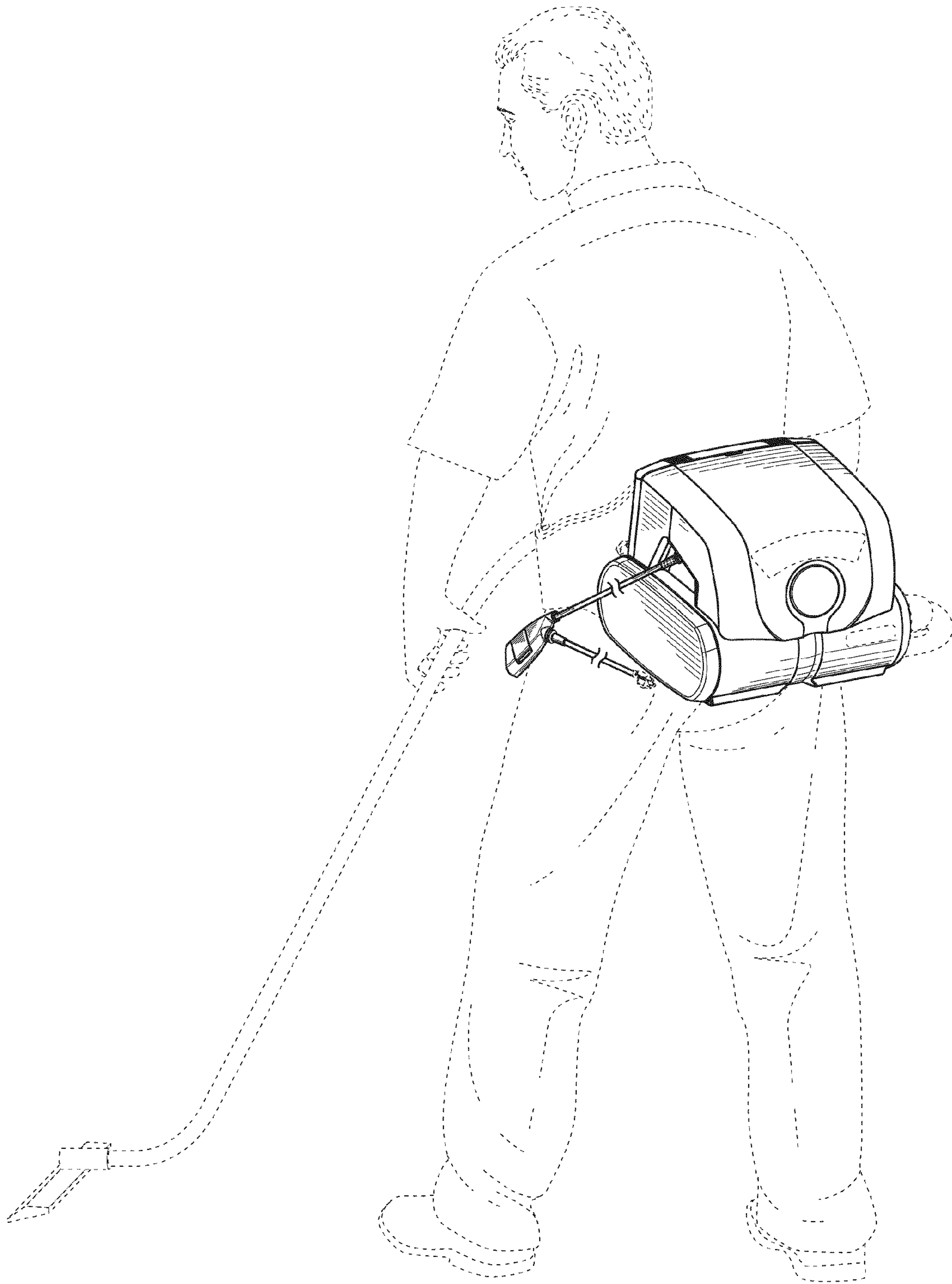


FIG. 1

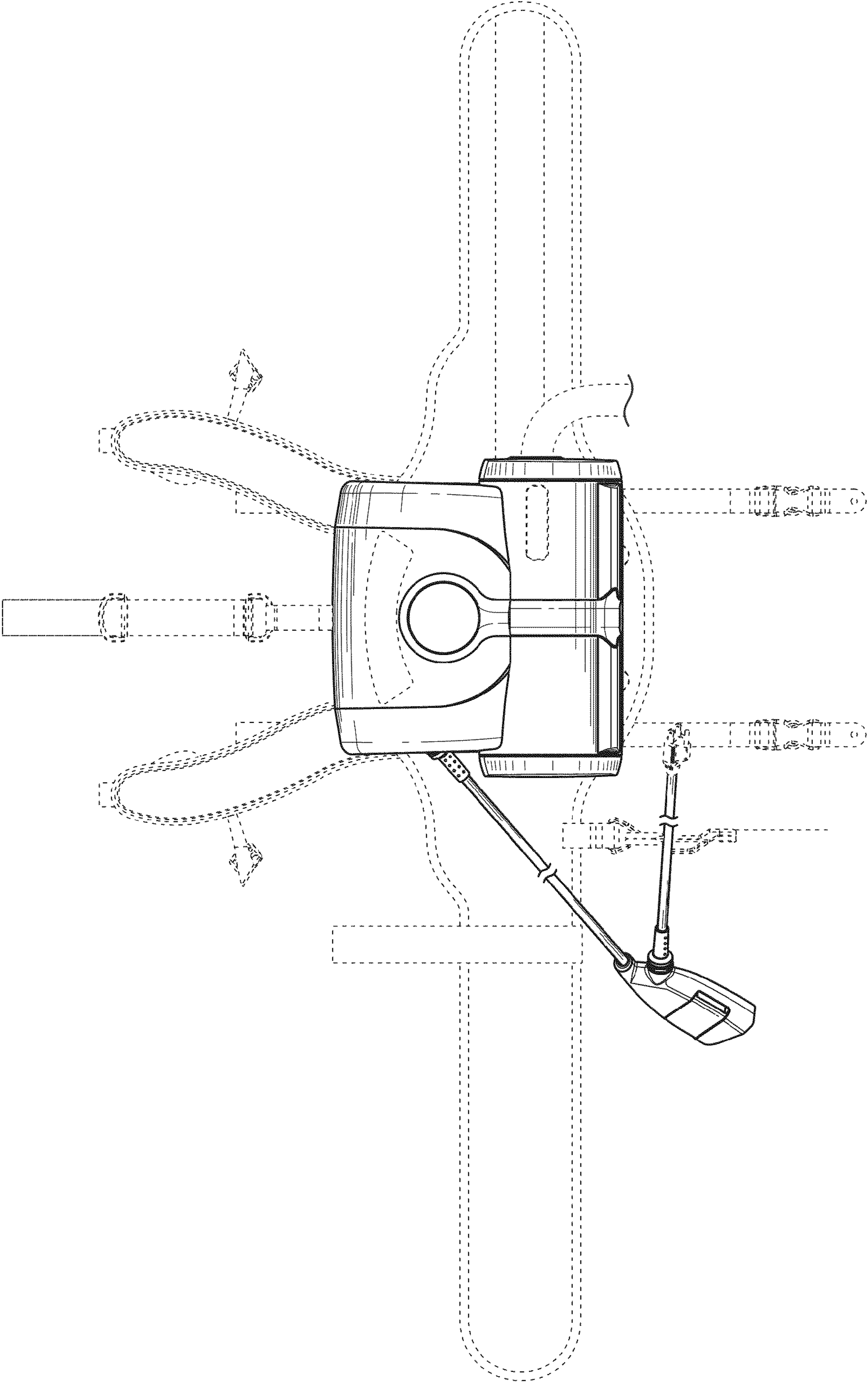


FIG. 2

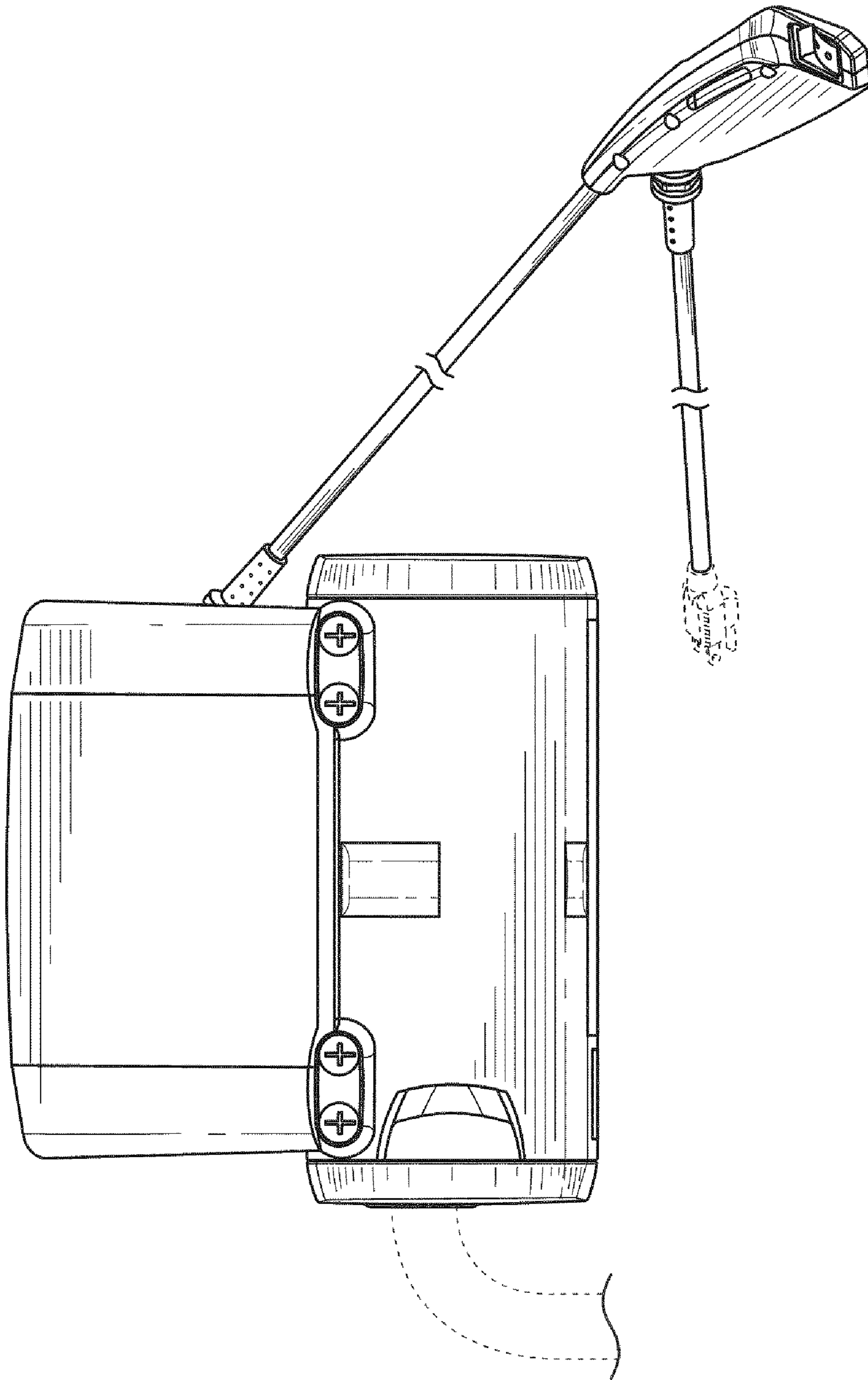


FIG. 3

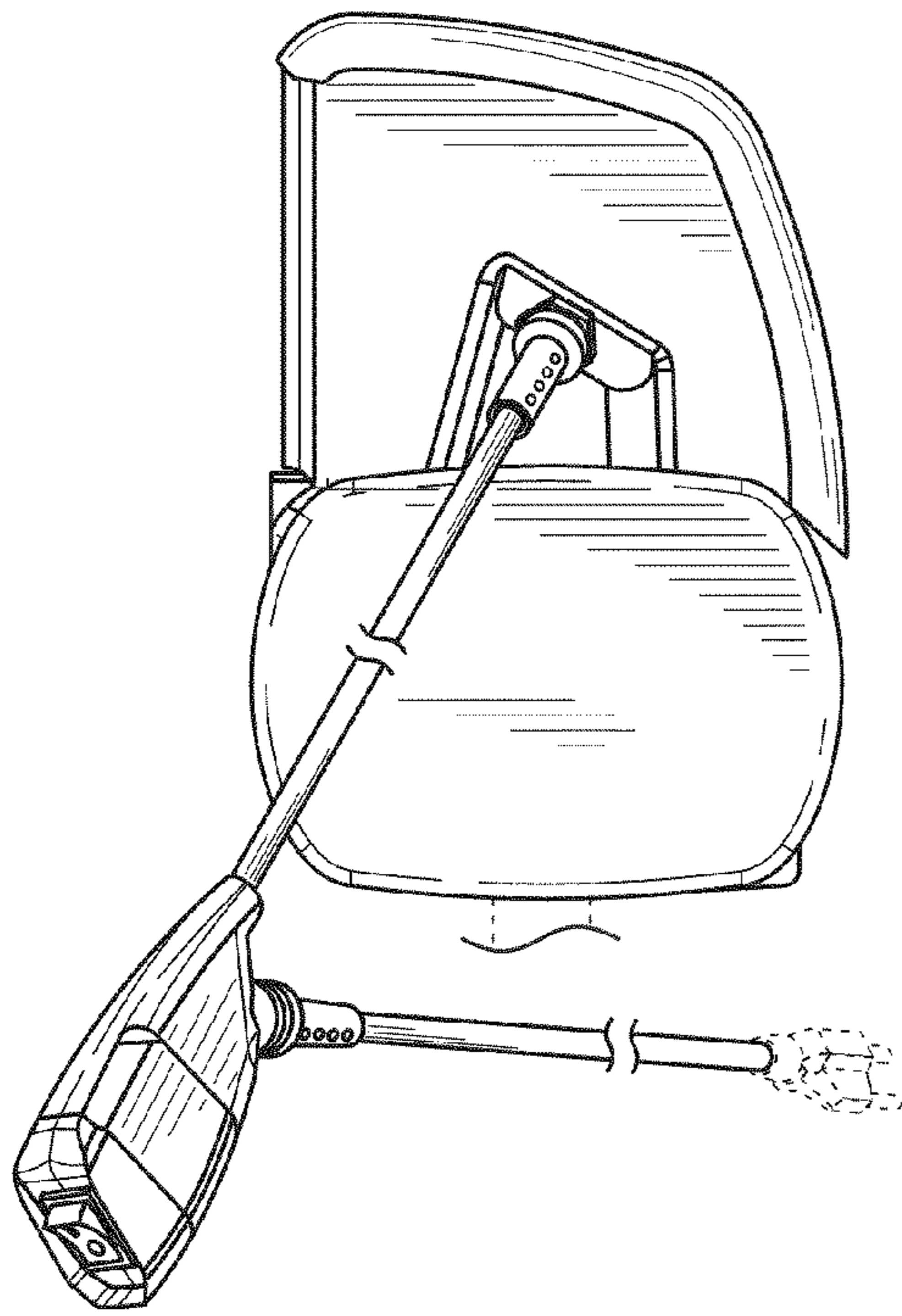


FIG. 4

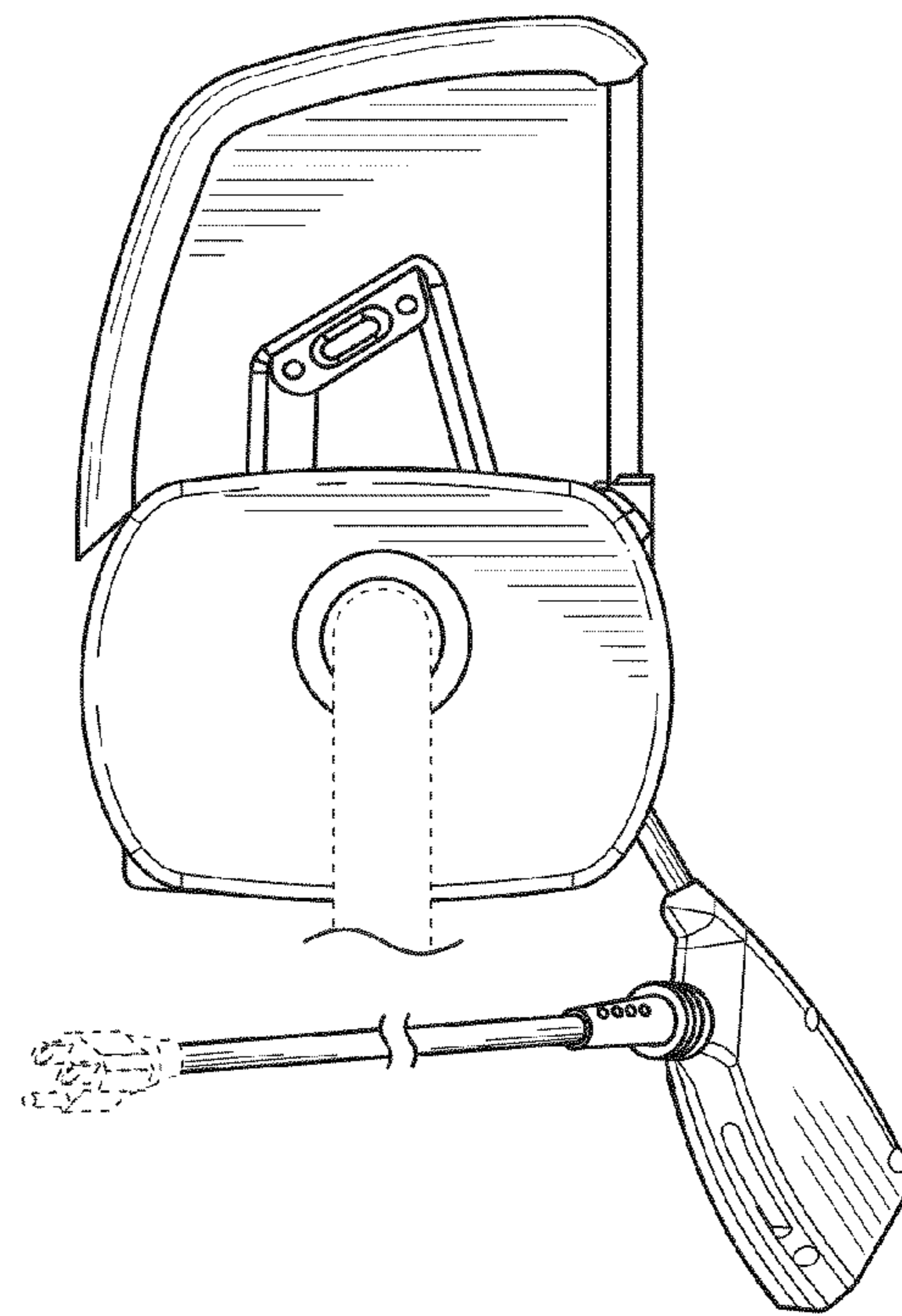


FIG. 5

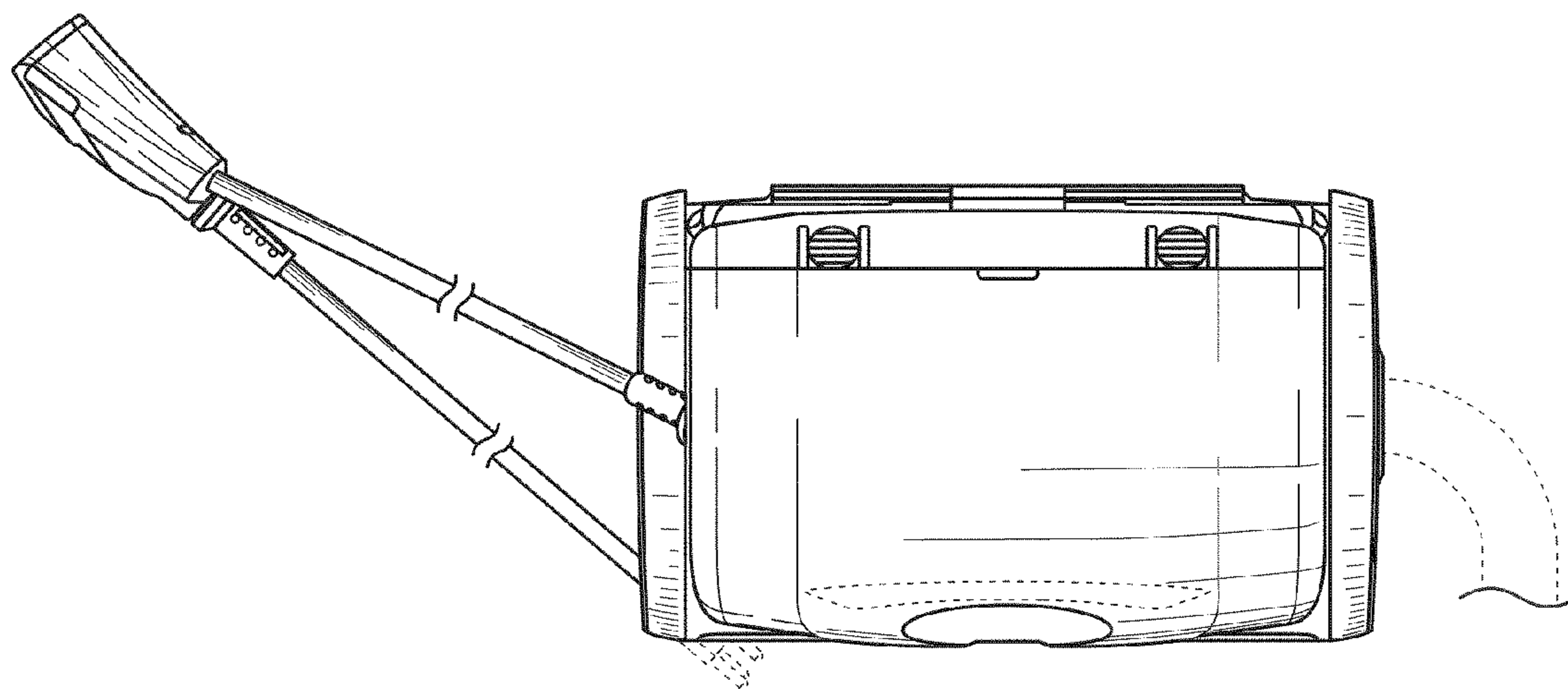


FIG. 6

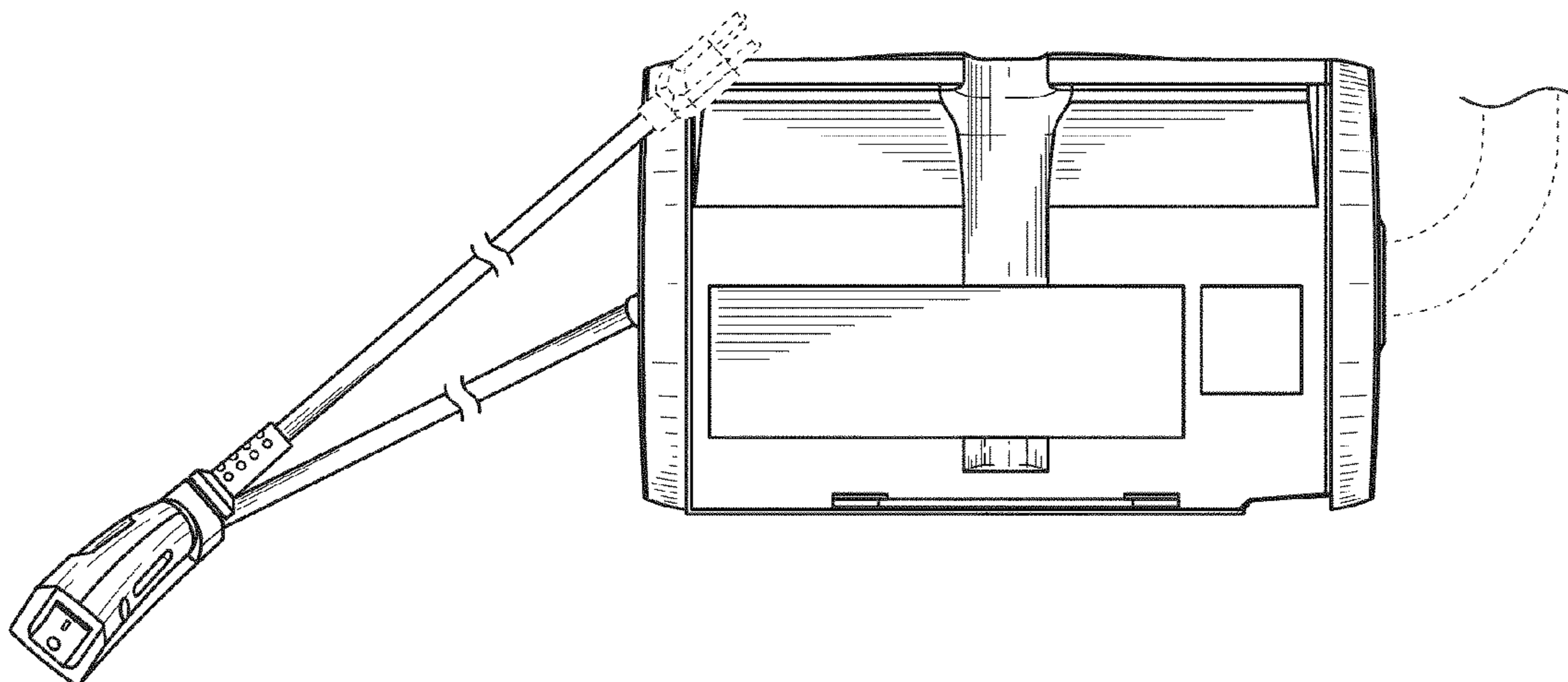


FIG. 7